



US00D593194S

(12) **United States Design Patent**  
**Pan**

(10) **Patent No.:** **US D593,194 S**  
(45) **Date of Patent:** **\*\* May 26, 2009**

- (54) **CEILING FAN**
- (75) Inventor: **Peter Pan**, Shetzu (TW)
- (73) Assignee: **Air Cool Industrial Co., Ltd.**, Taichung (TW)
- (\*\*) Term: **14 Years**
- (21) Appl. No.: **29/298,367**
- (22) Filed: **Dec. 4, 2007**
- (51) **LOC (9) Cl.** ..... **23-04**
- (52) **U.S. Cl.** ..... **D23/377**
- (58) **Field of Classification Search** ..... D23/377,  
D23/379, 385, 411, 413; 416/5  
See application file for complete search history.

- D484,969 S 1/2004 Tai
- D485,344 S 1/2004 Tai
- D485,609 S 1/2004 Tai
- D485,611 S 1/2004 Tai
- D485,897 S 1/2004 Tai
- D490,888 S 6/2004 Tai
- D494,705 S 8/2004 Tai
- D501,578 S 2/2005 Tai
- D503,472 S 3/2005 Tai
- D503,473 S 3/2005 Tai
- D503,474 S 3/2005 Tai
- D503,475 S 3/2005 Tai
- D503,476 S 3/2005 Tai
- D503,795 S 4/2005 Tai
- D504,173 S 4/2005 Cohen
- D505,197 S 5/2005 Tai
- D505,724 S 5/2005 Tai
- D507,644 S 7/2005 Tai

(56) **References Cited**

U.S. PATENT DOCUMENTS

- 5,508,484 A 4/1996 Chen
- D396,530 S 7/1998 Tai
- D404,808 S 1/1999 Tai
- D404,809 S 1/1999 Tai
- D405,878 S 2/1999 Tai
- D408,073 S 4/1999 Tai
- D408,074 S 4/1999 Tai
- D408,516 S 4/1999 Tai
- D409,297 S 5/1999 Tai
- 6,059,531 A 5/2000 Tai
- 6,135,618 A 10/2000 Tai
- 6,259,025 B1 7/2001 Tai
- 6,379,116 B1 4/2002 Tai
- D457,947 S 5/2002 Tai
- 6,392,146 B1 5/2002 Tai
- D458,675 S 6/2002 Tai
- D478,381 S 8/2003 Tai
- D483,463 S 12/2003 Tai
- D483,464 S 12/2003 Tai
- D483,465 S 12/2003 Tai
- D483,847 S 12/2003 Tai
- D483,848 S 12/2003 Tai
- D483,849 S 12/2003 Tai
- D483,850 S 12/2003 Tai
- D484,588 S 12/2003 Tai

(Continued)

*Primary Examiner*—Lisa P Lichtenstein  
(74) *Attorney, Agent, or Firm*—Morrison & Foerster LLP

(57) **CLAIM**

The ornamental design for a ceiling fan, as shown and described.

**DESCRIPTION**

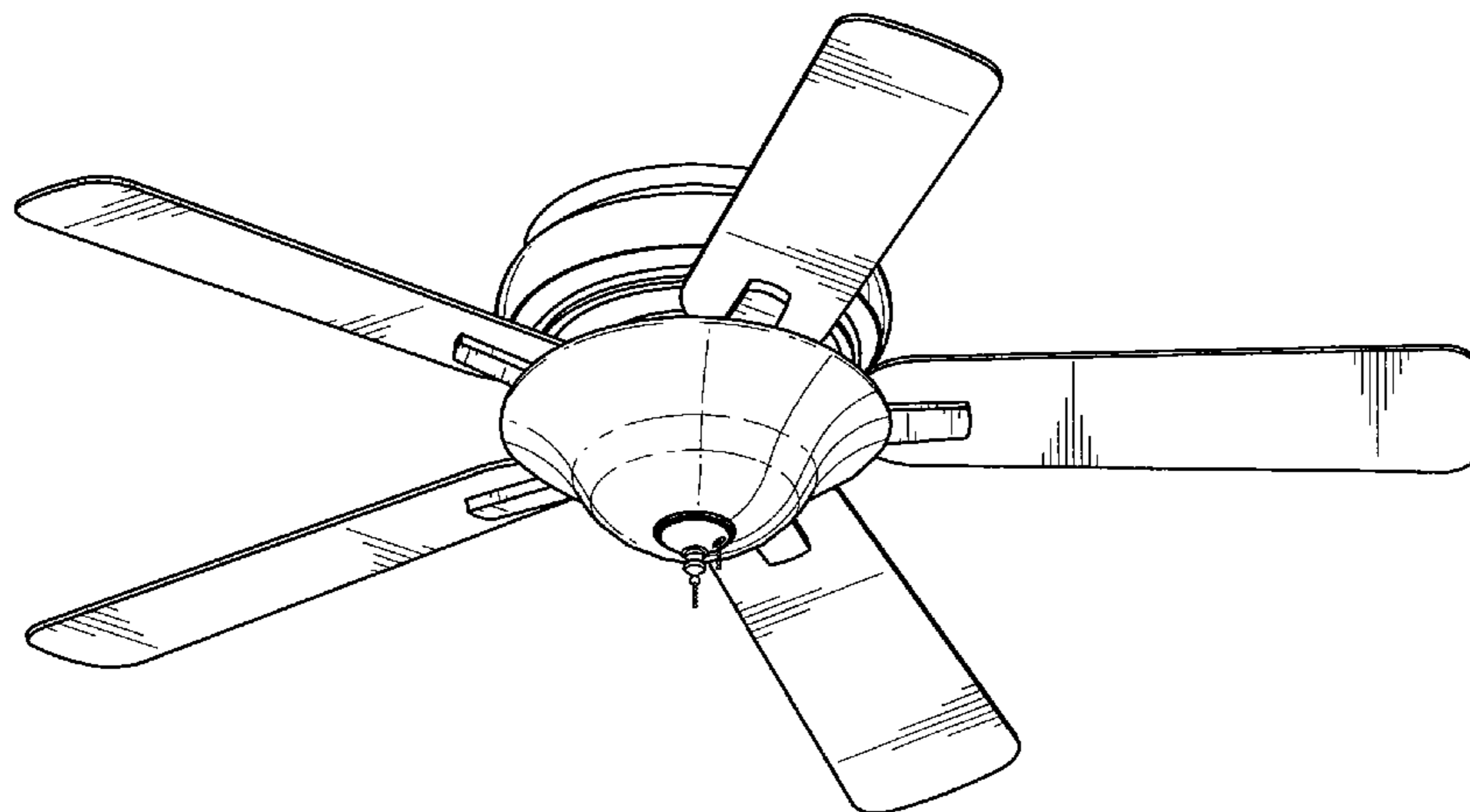
FIG. 1 is a perspective view of a ceiling fan in accordance with the present invention;

FIG. 2 is a side view of the ceiling fan in accordance with the present invention; and,

FIG. 3 is a bottom view of the ceiling fan in accordance with the present invention.

The broken line showing of the projection that the pull cord emerges from is included for the purpose of illustrating environmental structure and forms no part of the claimed design.

**1 Claim, 3 Drawing Sheets**



# US D593,194 S

Page 2

---

## U.S. PATENT DOCUMENTS

D507,830 S	7/2005	Pan	
D527,090 S *	8/2006	Pan .....	D23/377
D530,811 S	10/2006	Ertze	
D531,722 S	11/2006	Ertze	
D532,901 S	11/2006	Ertze	
D533,267 S	12/2006	Pan	
D536,466 S	2/2007	Pan	
D539,896 S	4/2007	Pan	
D541,409 S	4/2007	Ertze	
D541,410 S	4/2007	Ertze	
D543,268 S	5/2007	Ertze	
D543,302 S	5/2007	Ertze	
D545,422 S	6/2007	Glasbrenner	
D546,439 S	7/2007	Glasbrenner	
D546,936 S	7/2007	Ertze	
D547,435 S	7/2007	Lee	
D547,857 S	7/2007	Lee	
D552,777 S	10/2007	Pan	
D554,250 S	10/2007	Shurtleff	
D554,251 S	10/2007	Shurtleff	
D573,243 S *	7/2008	Pan .....	D23/377

\* cited by examiner

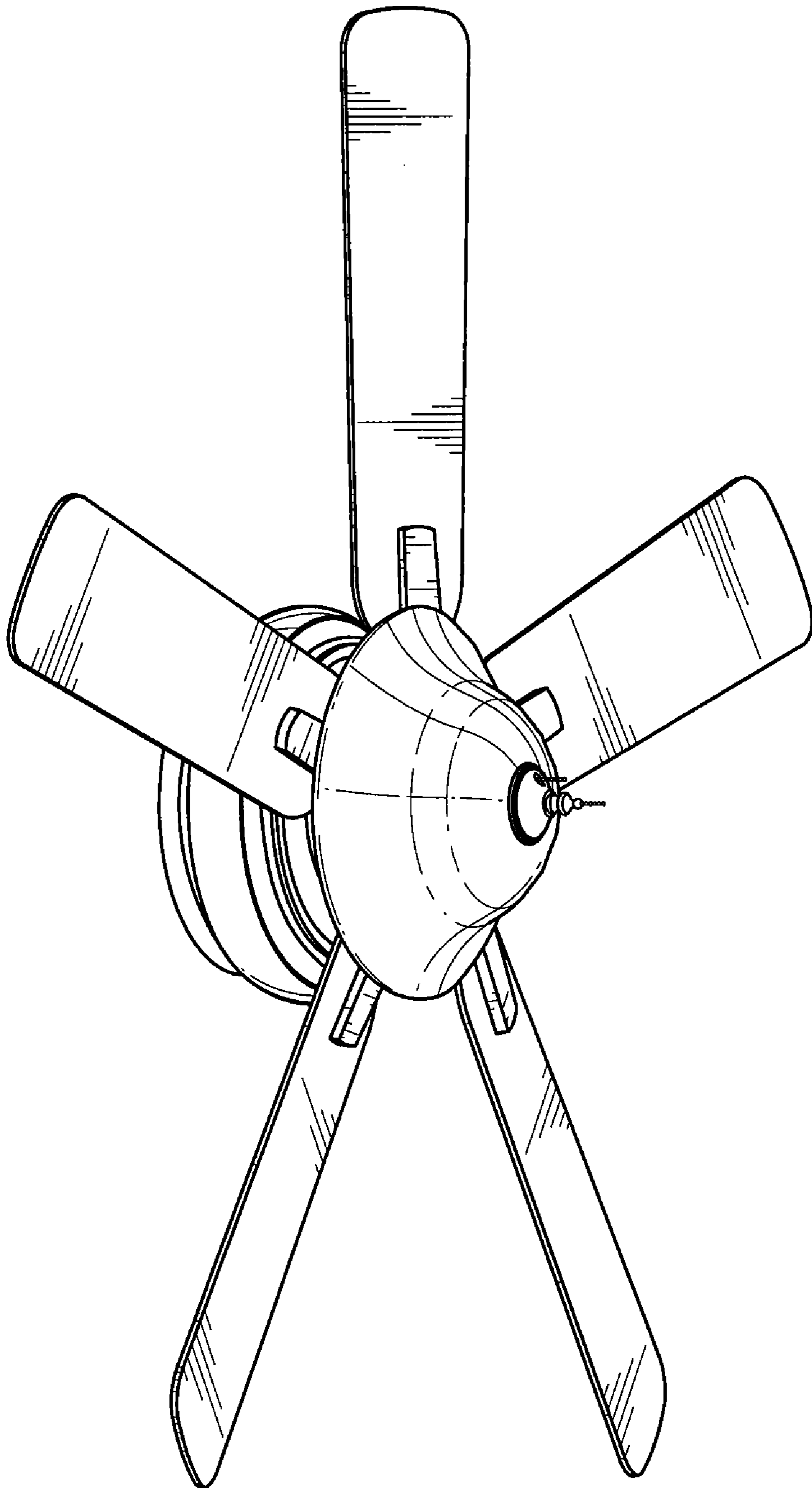


FIG. 1

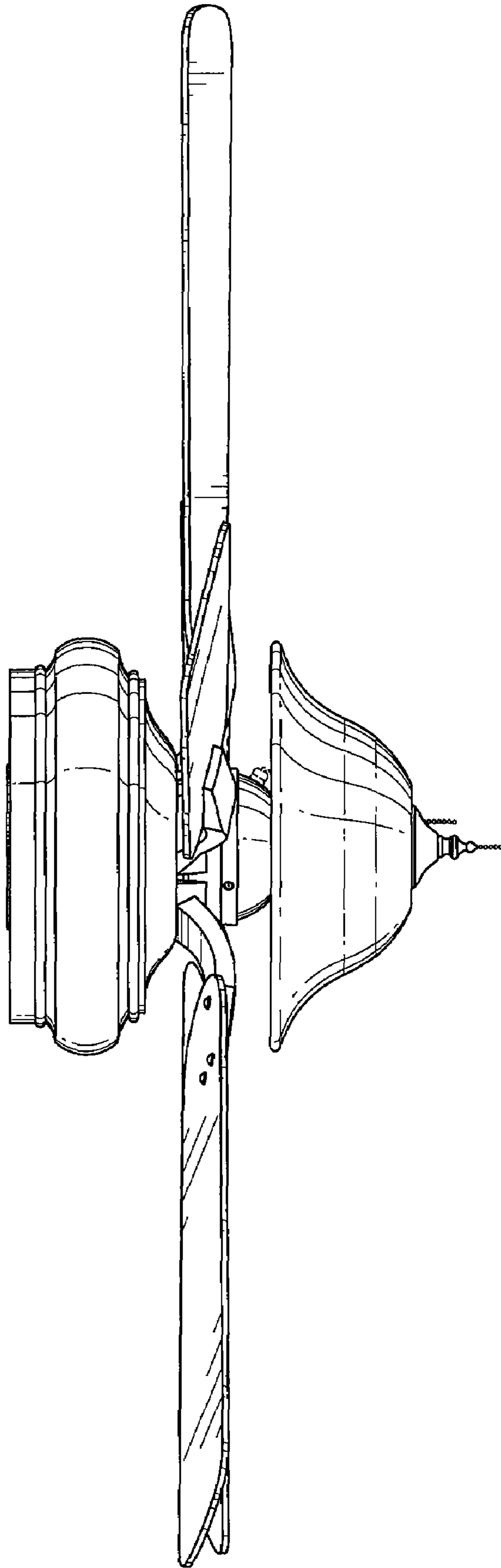


FIG. 2

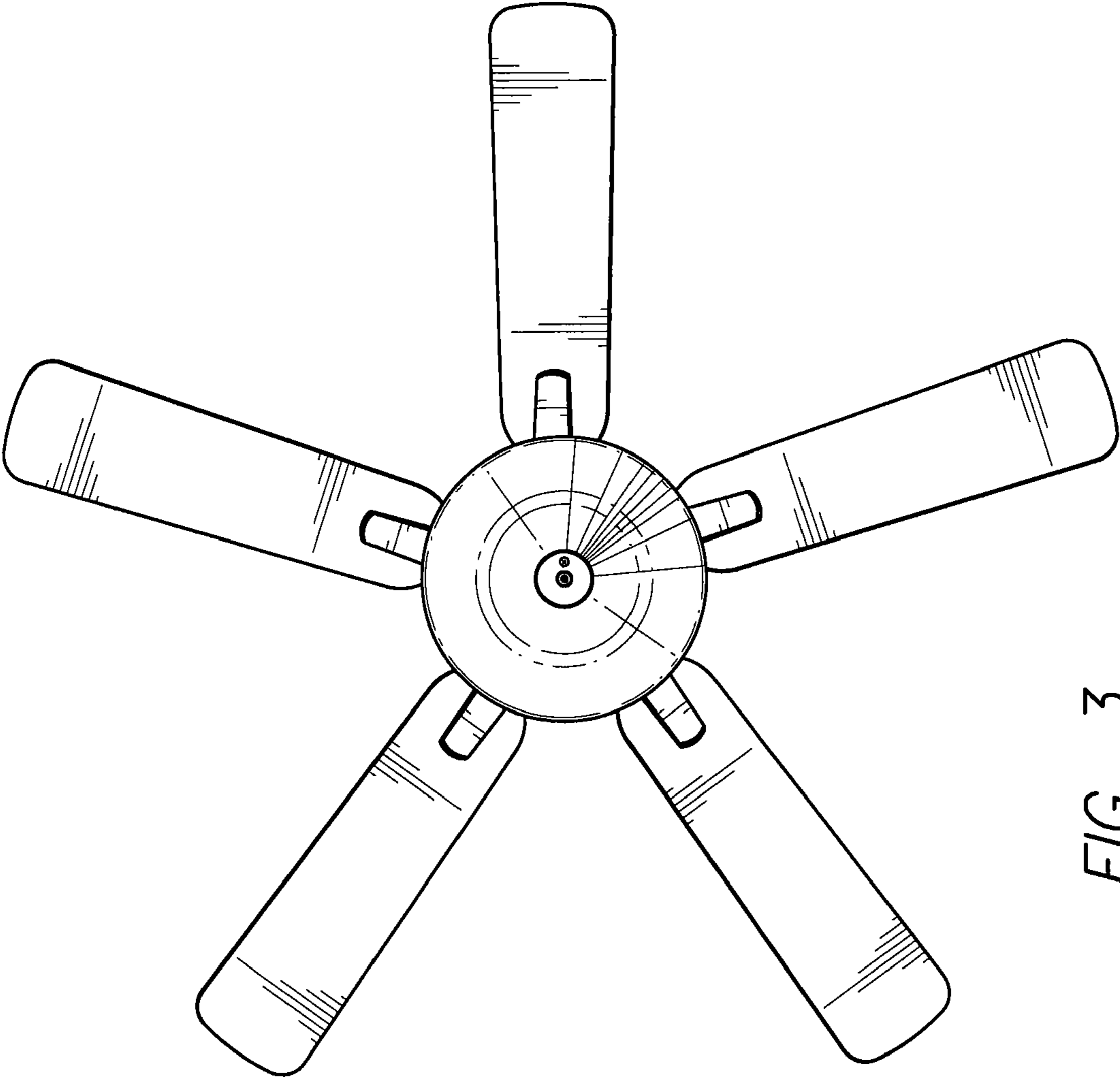


FIG. 3