



US00D593193S

(12) **United States Design Patent**
Jackson et al.

(10) **Patent No.:** **US D593,193 S**

(45) **Date of Patent:** **** *May 26, 2009**

(54) **CRAWLSPACE DOOR FAN**

4,287,815 A * 9/1981 Henderson 454/347
4,501,194 A * 2/1985 Brown 454/354
5,060,901 A * 10/1991 Lathrop et al. 248/343

(76) Inventors: **James S. Jackson**, 310 Deal Dr.,
Portsmouth, VA (US) 23701; **William G. Sykes**,
3669 Seagull Bluff Dr., Virginia Beach, VA (US) 23455

* cited by examiner

Primary Examiner—Lisa Lichtenstein

(*) Notice: This patent is subject to a terminal disclaimer.

(57) **CLAIM**

The ornamental design for a crawlspace door fan, as shown.

(**) Term: **14 Years**

DESCRIPTION

(21) Appl. No.: **29/240,244**

(22) Filed: **Oct. 12, 2005**

(51) **LOC (9) Cl.** **23-04**

(52) **U.S. Cl.** **D23/371**

(58) **Field of Classification Search** D23/371,
D23/370, 382, 385; 454/354, 347
See application file for complete search history.

FIG. 1 is a front right isometric view of a crawlspace door fan showing my new design;

FIG. 2 is a front view thereof;

FIG. 3 is a top plan view thereof;

FIG. 4 is a bottom plan view thereof;

FIG. 5 is an enlarged right side view thereof;

FIG. 6 is an enlarged left side view thereof; and,

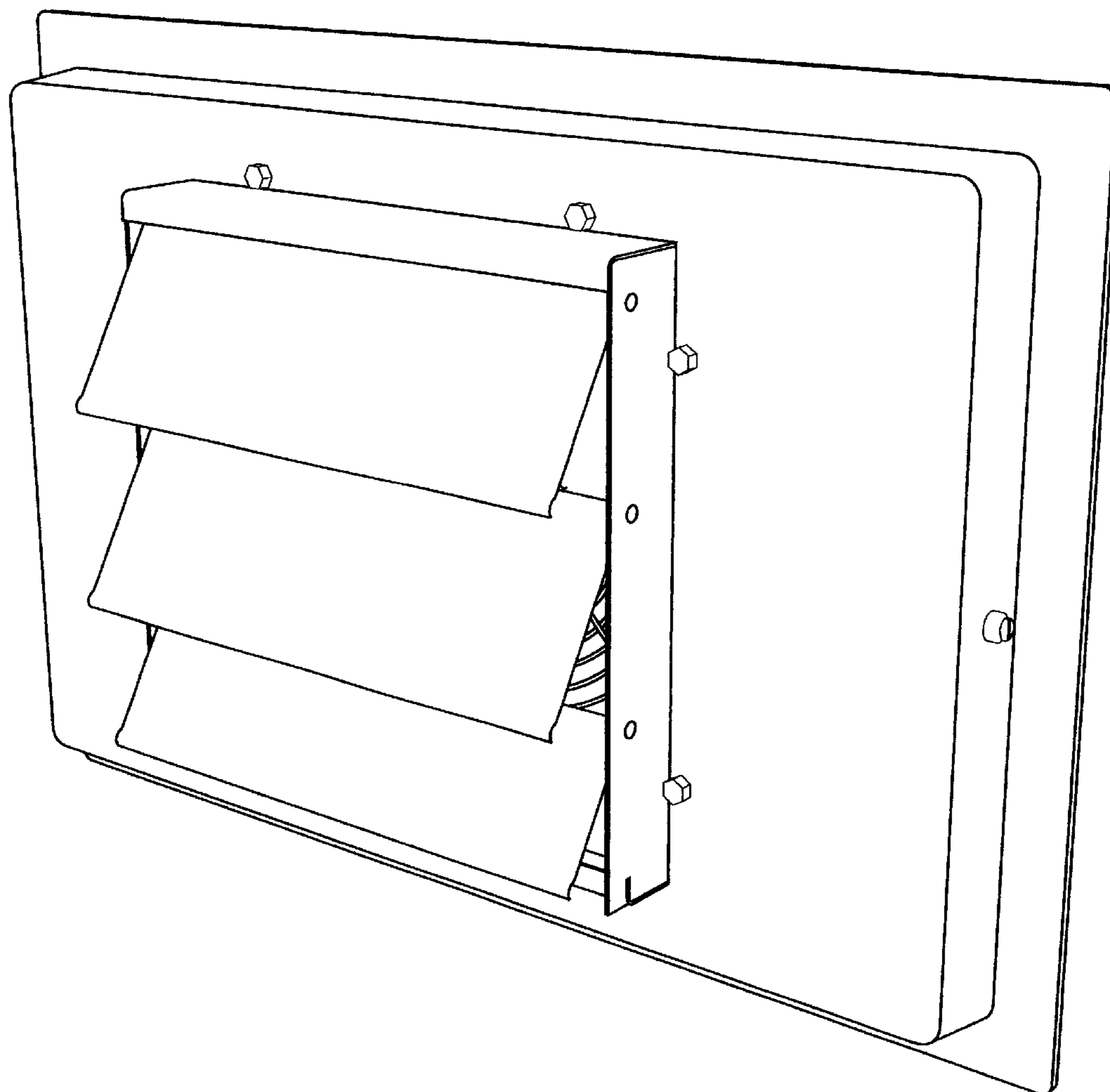
FIG. 7 is a back view.

(56) **References Cited**

U.S. PATENT DOCUMENTS

2,746,674 A * 5/1956 Alldritt et al. D23/371

1 Claim, 7 Drawing Sheets



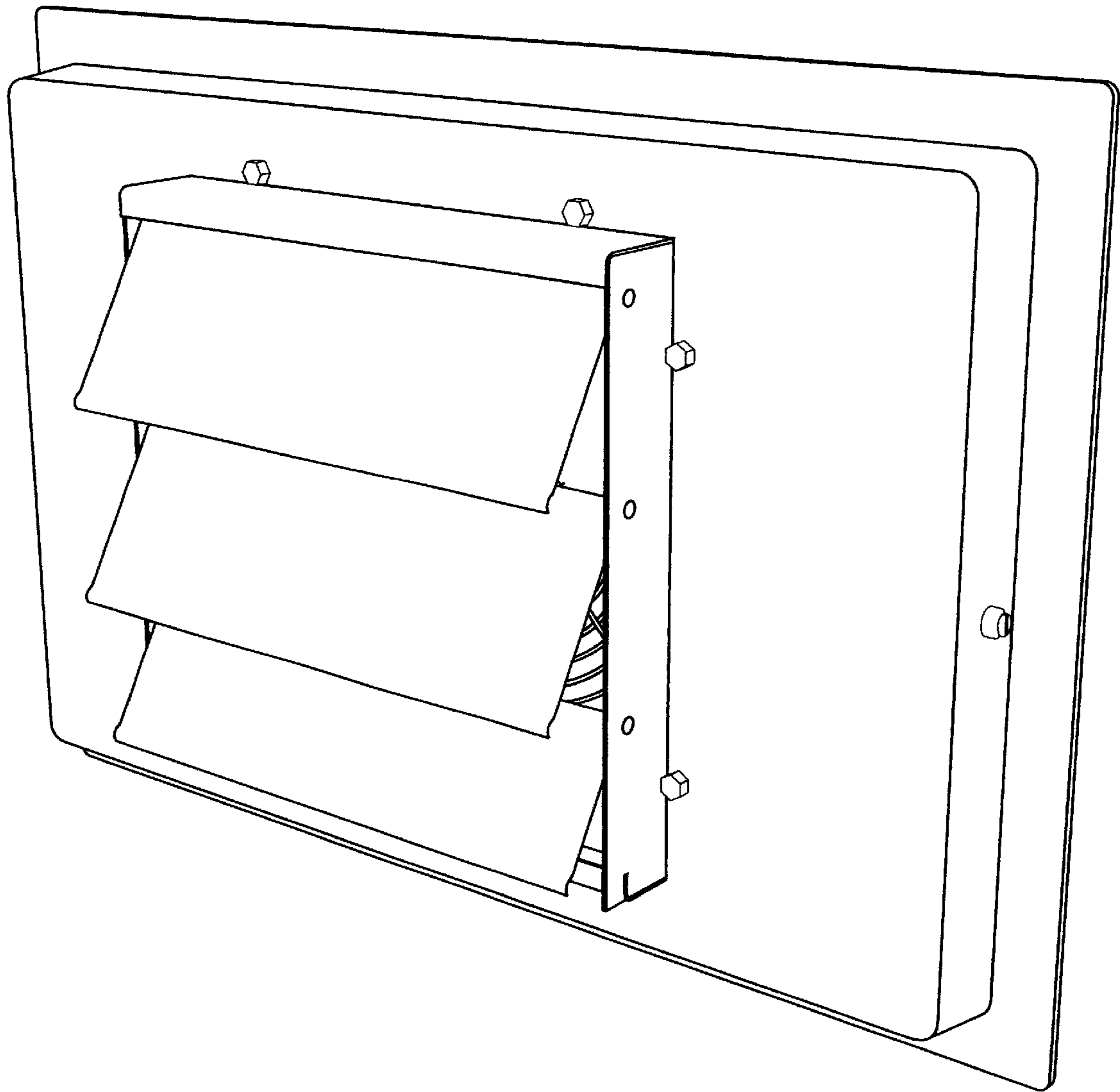


Fig. 1

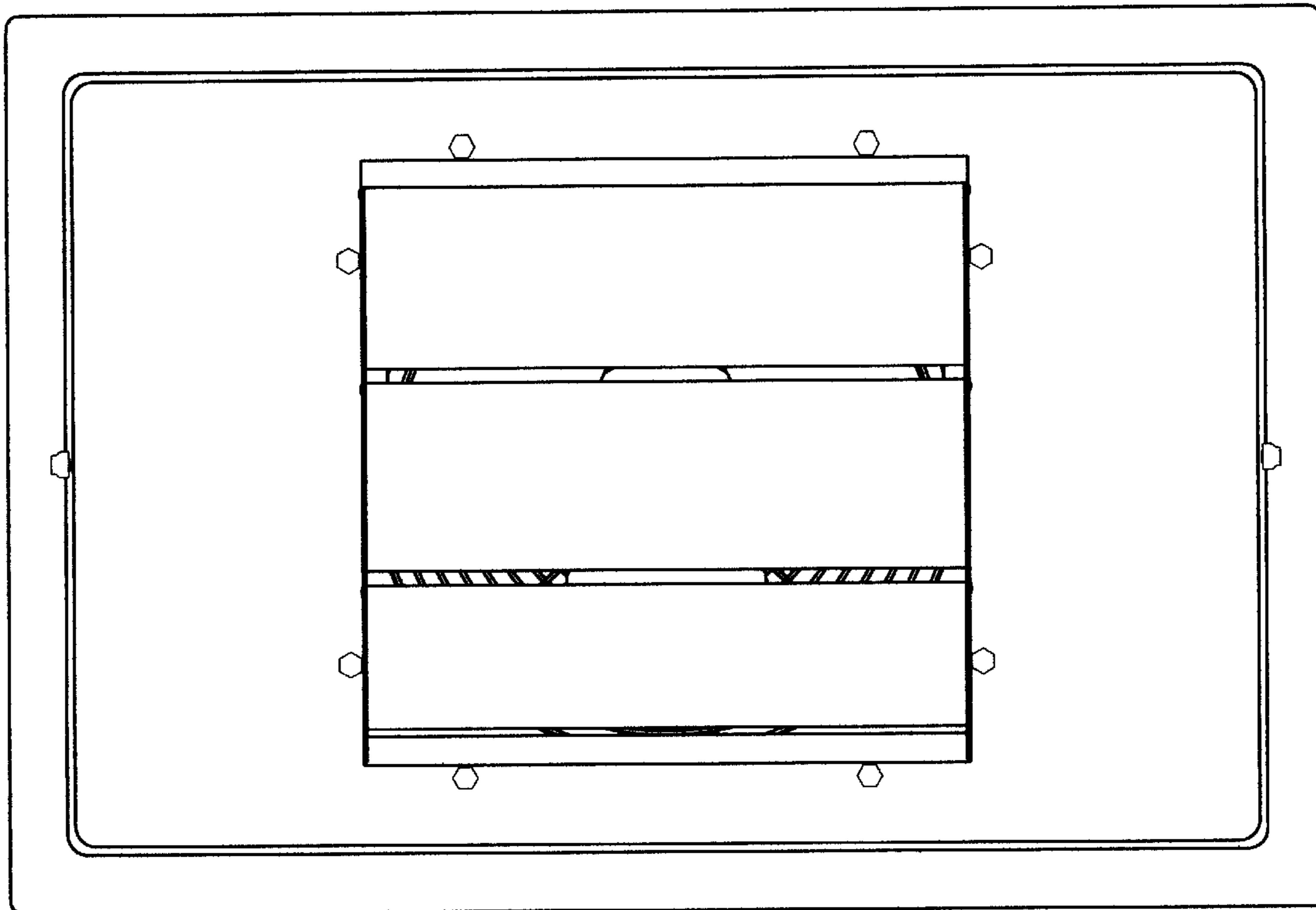


Fig. 2

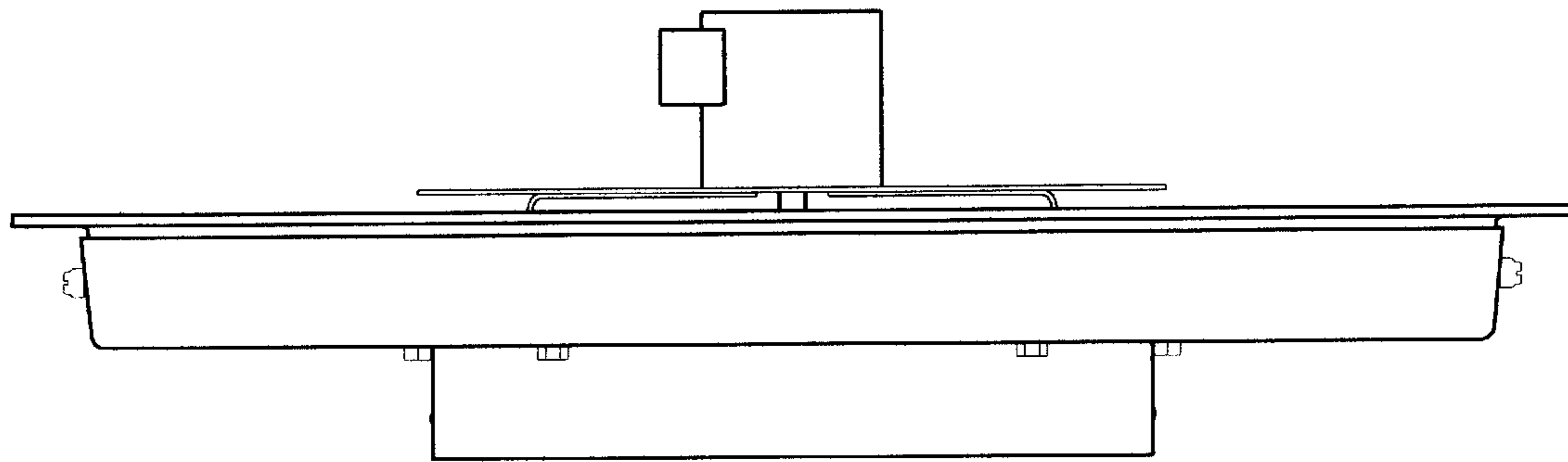


Fig. 3

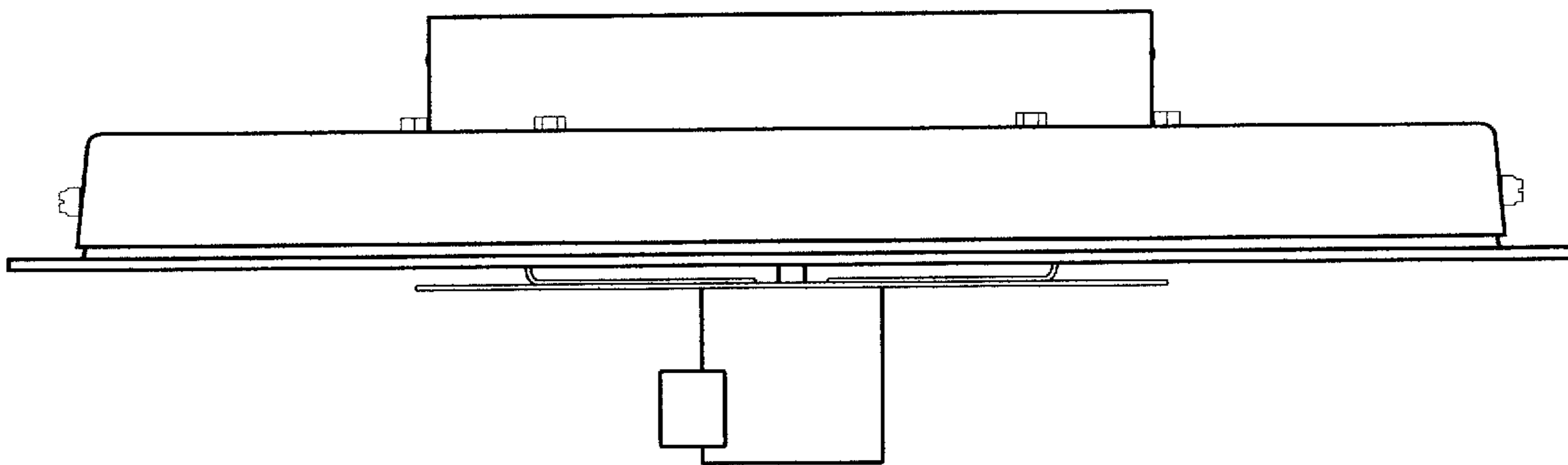


Fig. 4

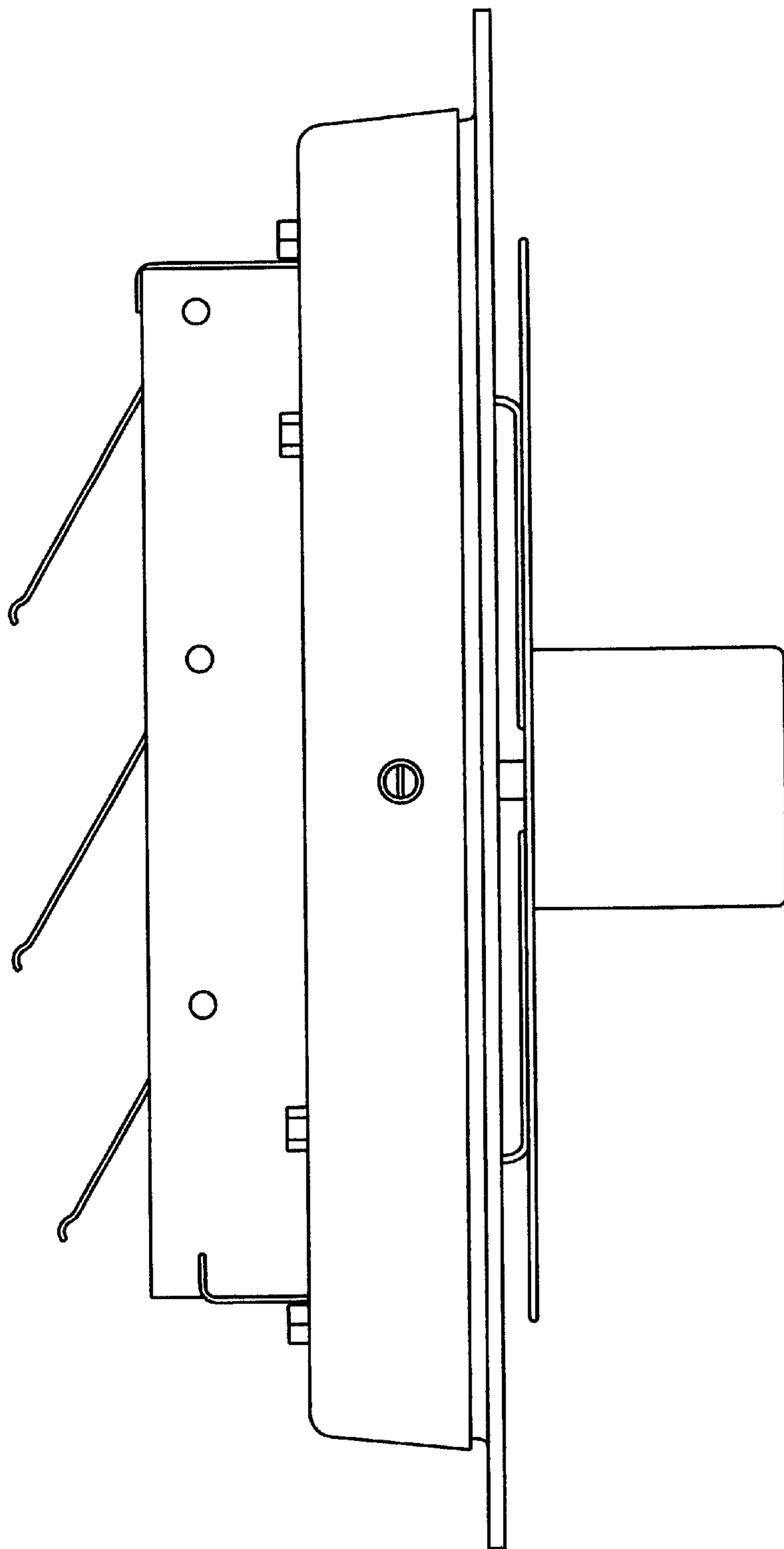


Fig. 5

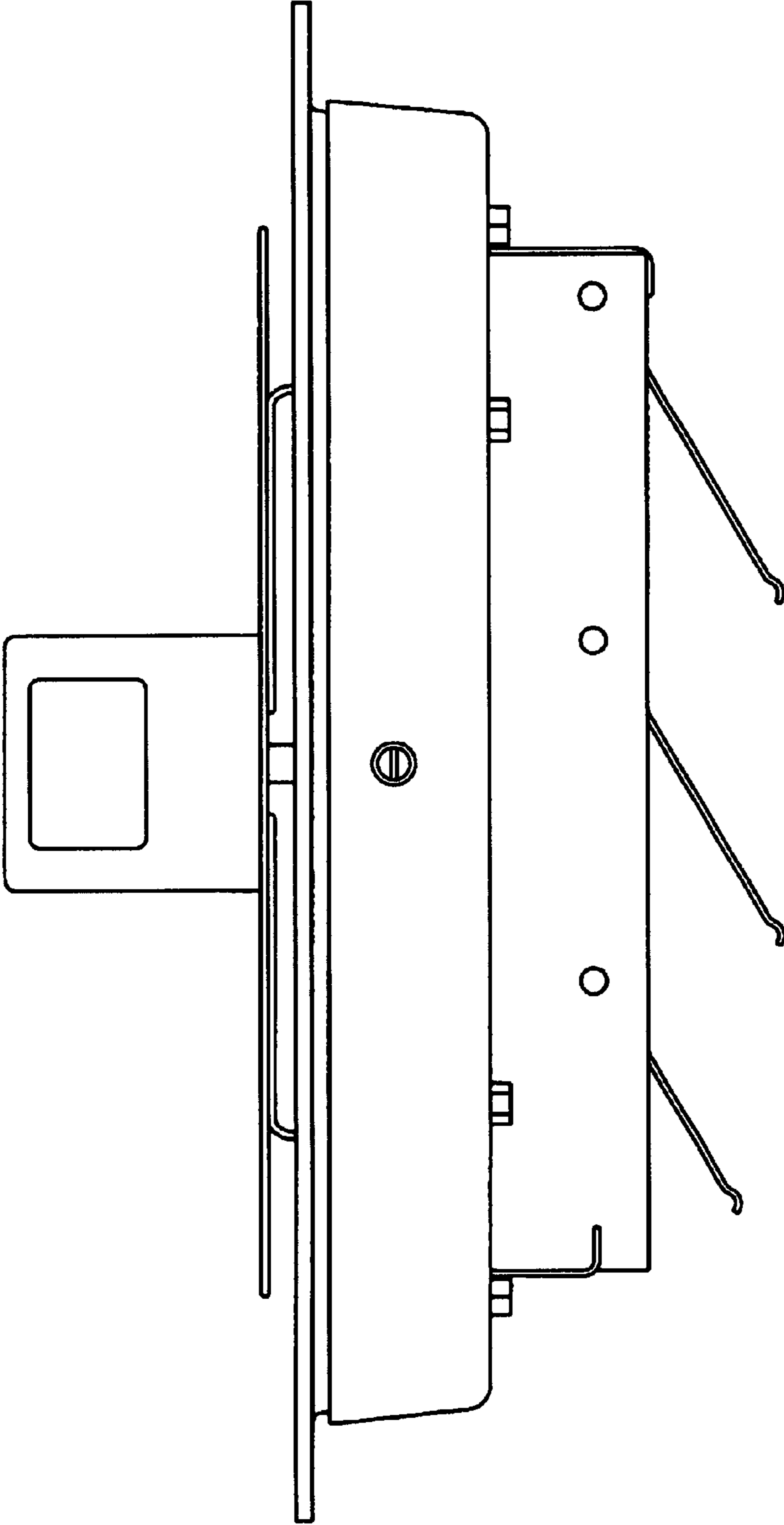


Fig. 6

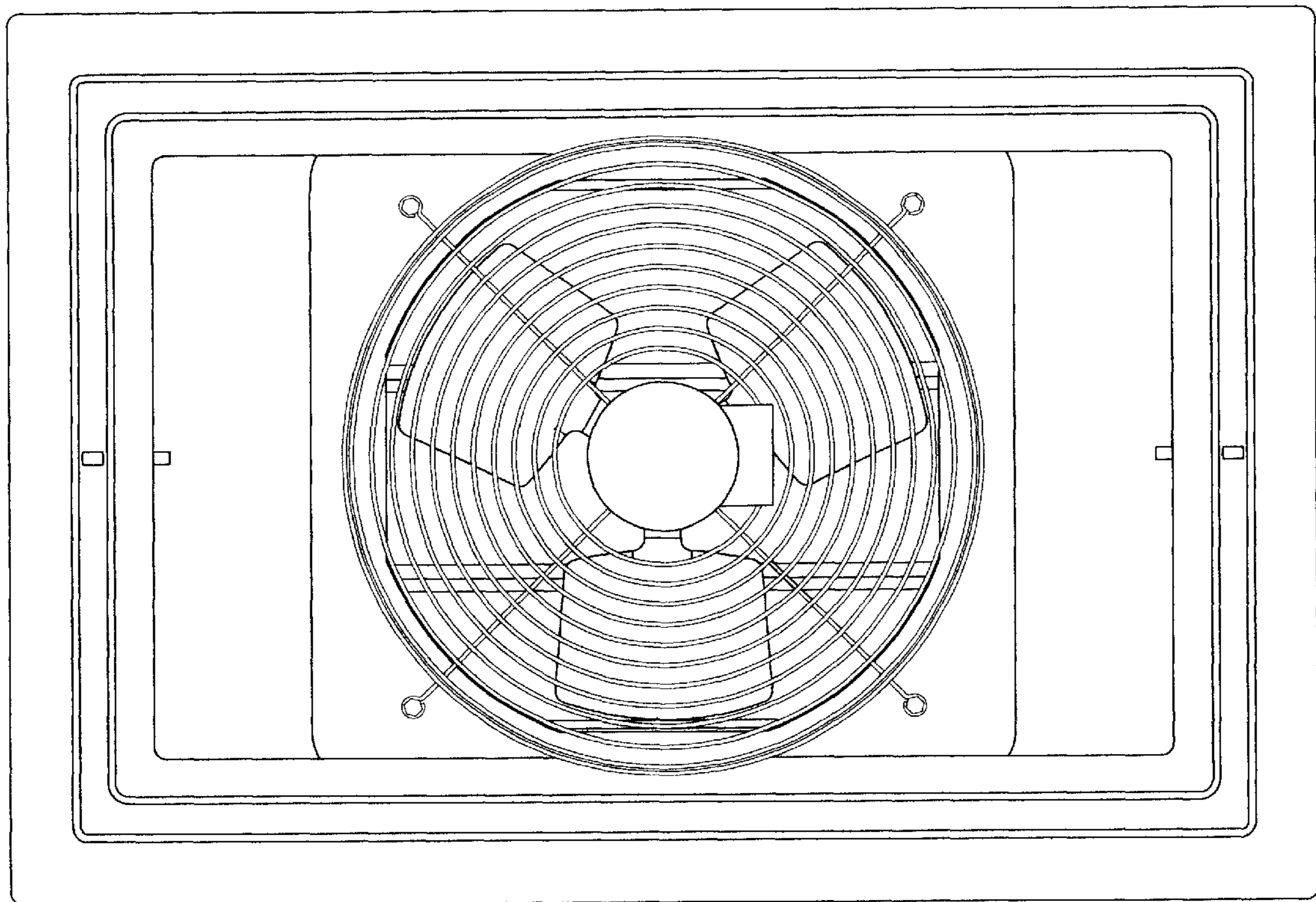


Fig. 7