



US00D593192S

(12) **United States Design Patent**  
**Spaggiari**

(10) **Patent No.:** **US D593,192 S**

(45) **Date of Patent:** **\*\* May 26, 2009**

(54) **VENTILATING FAN**

D266,786 S \* 11/1982 Schmidt ..... D23/370  
D404,122 S \* 1/1999 Hayashi et al. .... D23/370  
D483,106 S \* 12/2003 Harris et al. .... D23/378

(75) Inventor: **Alessandro Spaggiari**, Correggio (IT)

(73) Assignee: **SPAL Automotive S.R.L.**, Correggio (IT)

\* cited by examiner

(\*\*) Term: **14 Years**

*Primary Examiner*—Lisa P Lichtenstein

(74) *Attorney, Agent, or Firm*—Pearne & Gordon LLP

(21) Appl. No.: **29/320,074**

(57) **CLAIM**

(22) Filed: **Jun. 19, 2008**

The ornamental design for a ventilating fan, as shown and described.

(30) **Foreign Application Priority Data**

Jan. 2, 2008 (EM) ..... 000853155-0001

**DESCRIPTION**

(51) **LOC (9) Cl.** ..... **23-04**

(52) **U.S. Cl.** ..... **D23/370**

(58) **Field of Classification Search** ..... D23/370,  
D23/371, 385; 454/354, 349; 416/247 R  
See application file for complete search history.

FIG. 1 is a perspective view,

FIG. 2 is a front face view,

FIG. 3 is side view,

FIG. 4 is a rear view,

FIG. 5 is a top plan view; and,

FIG. 6 is a bottom plan view.

(56) **References Cited**

**U.S. PATENT DOCUMENTS**

D133,291 S \* 8/1942 Powers ..... D23/370

**1 Claim, 3 Drawing Sheets**

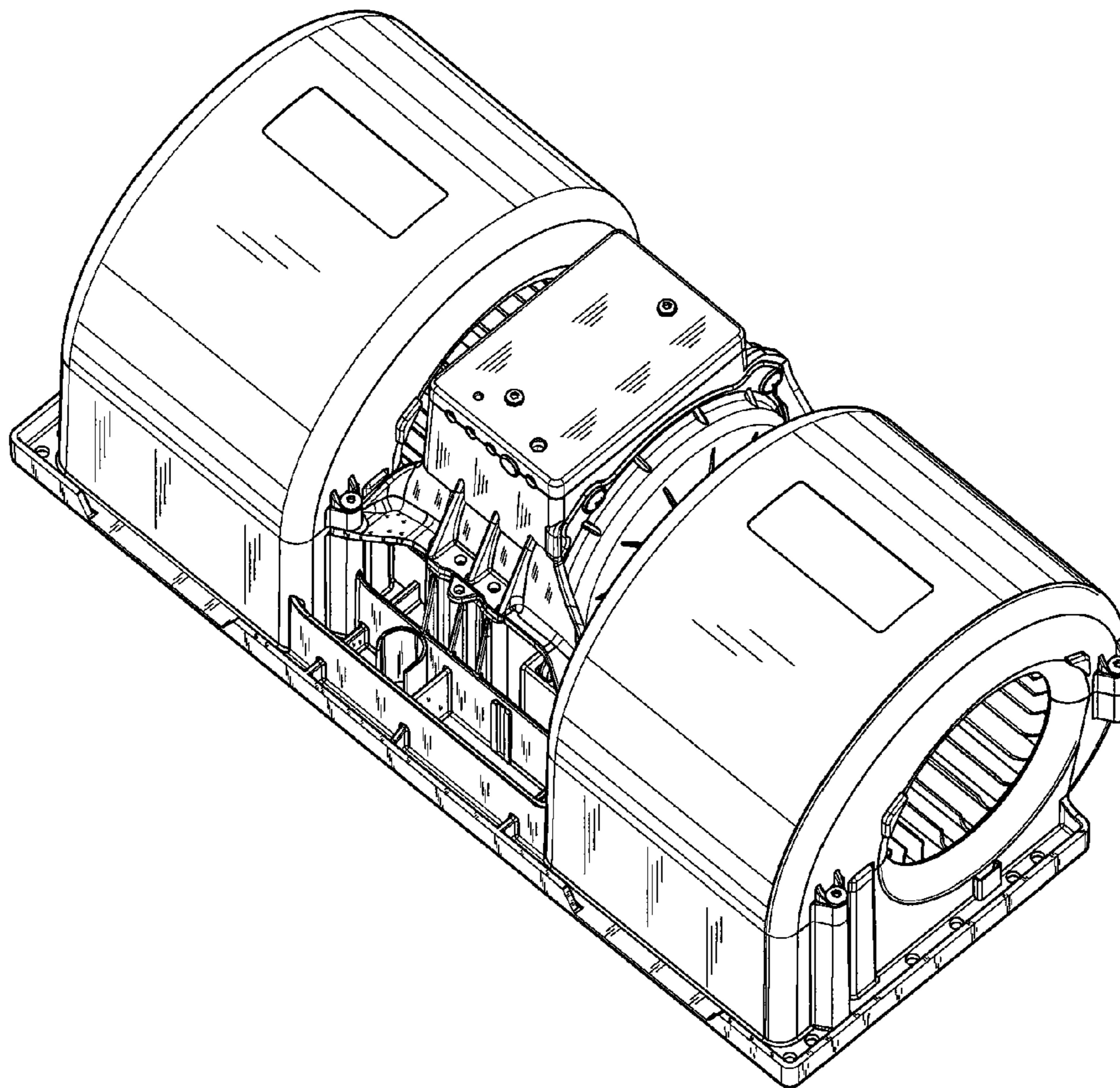


FIG.1

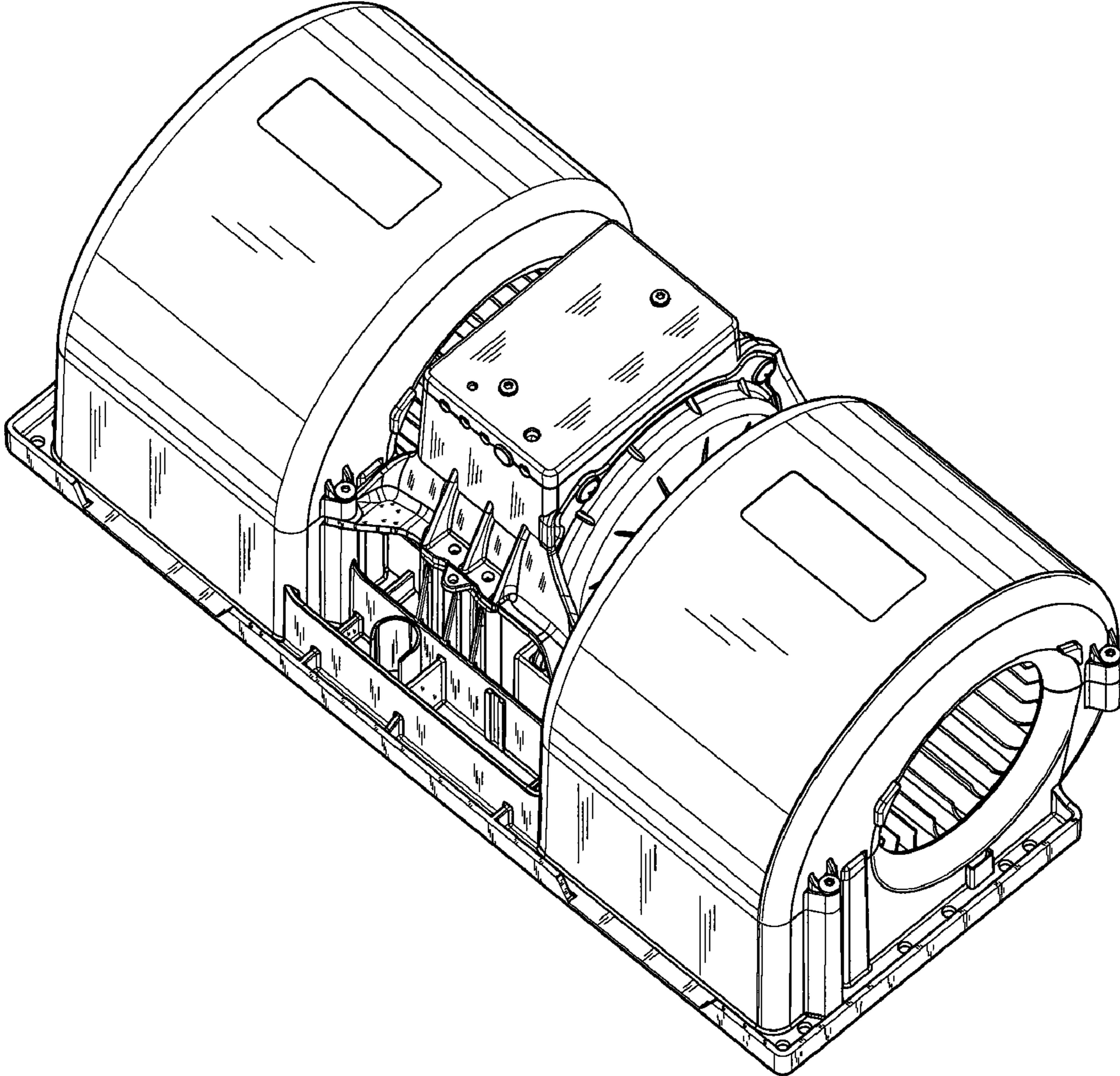


FIG.2

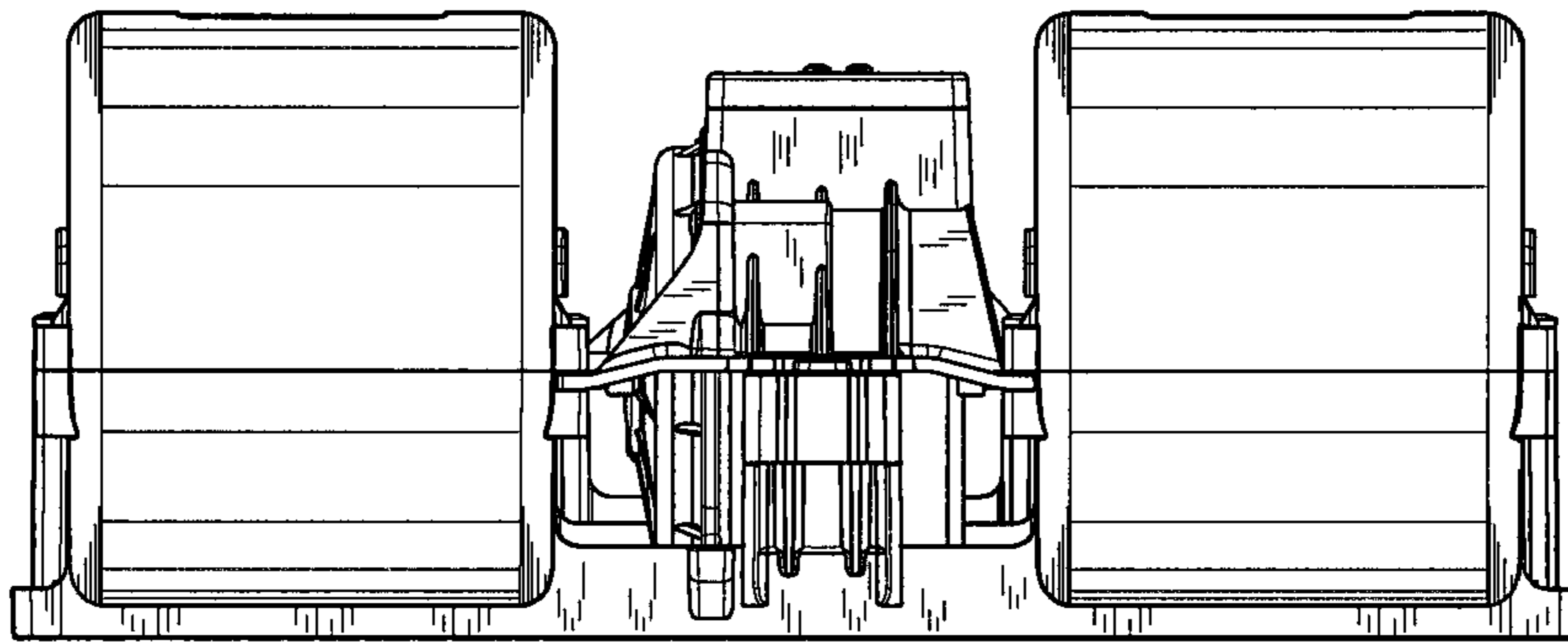


FIG.3

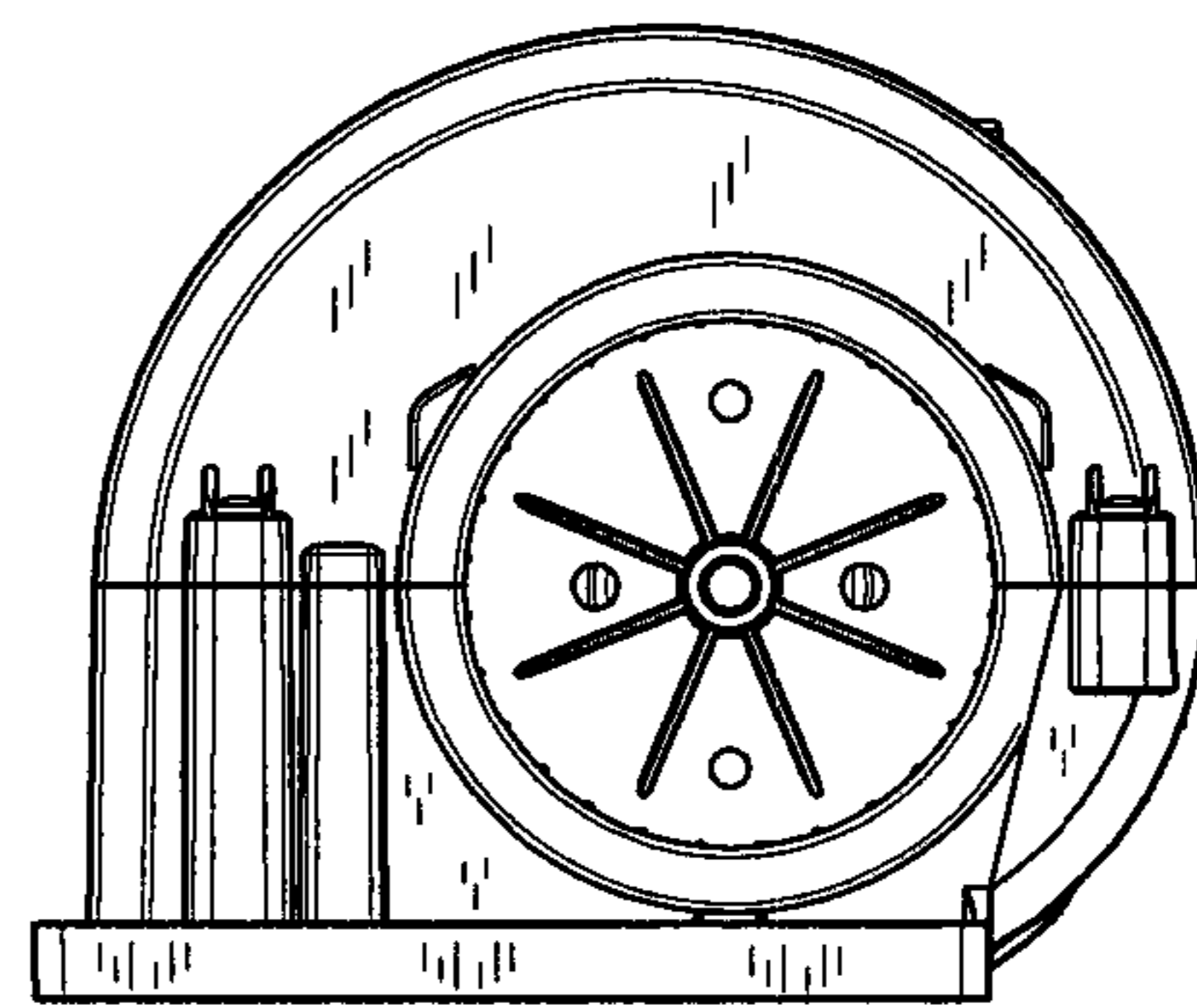


FIG.4

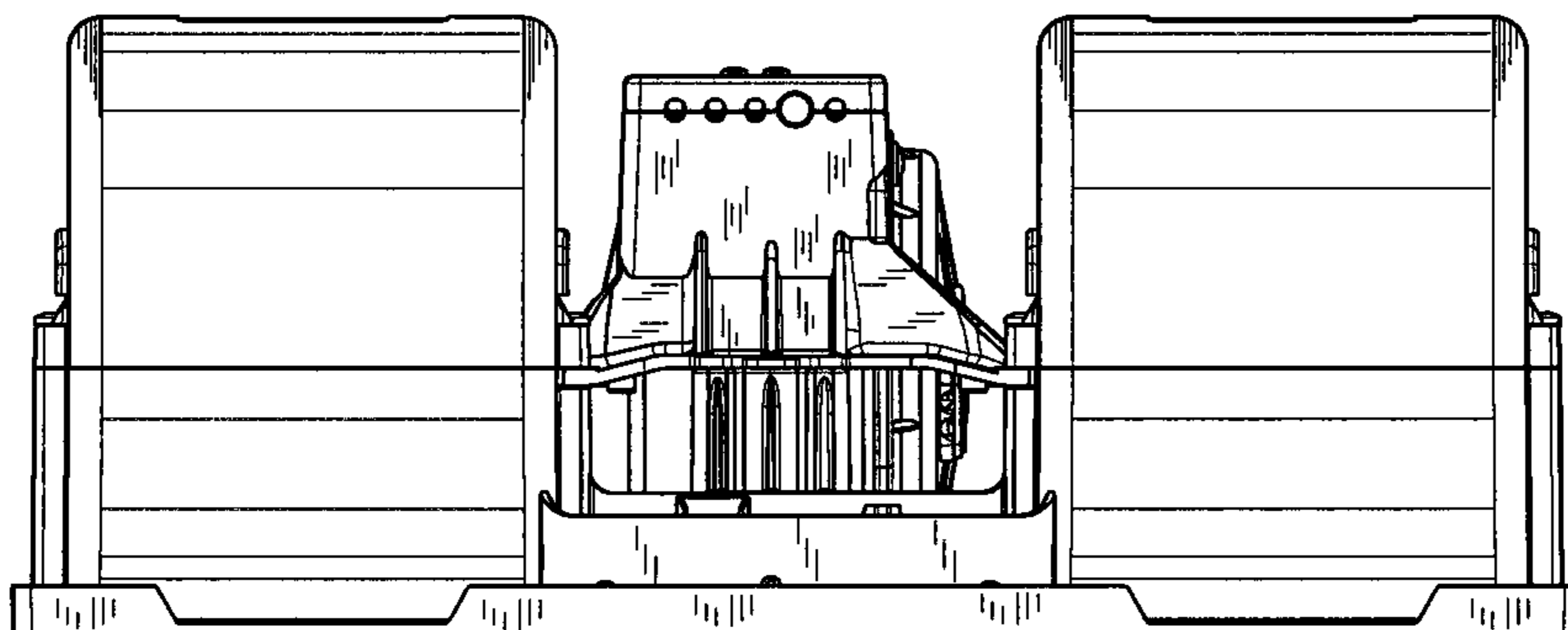


FIG.5

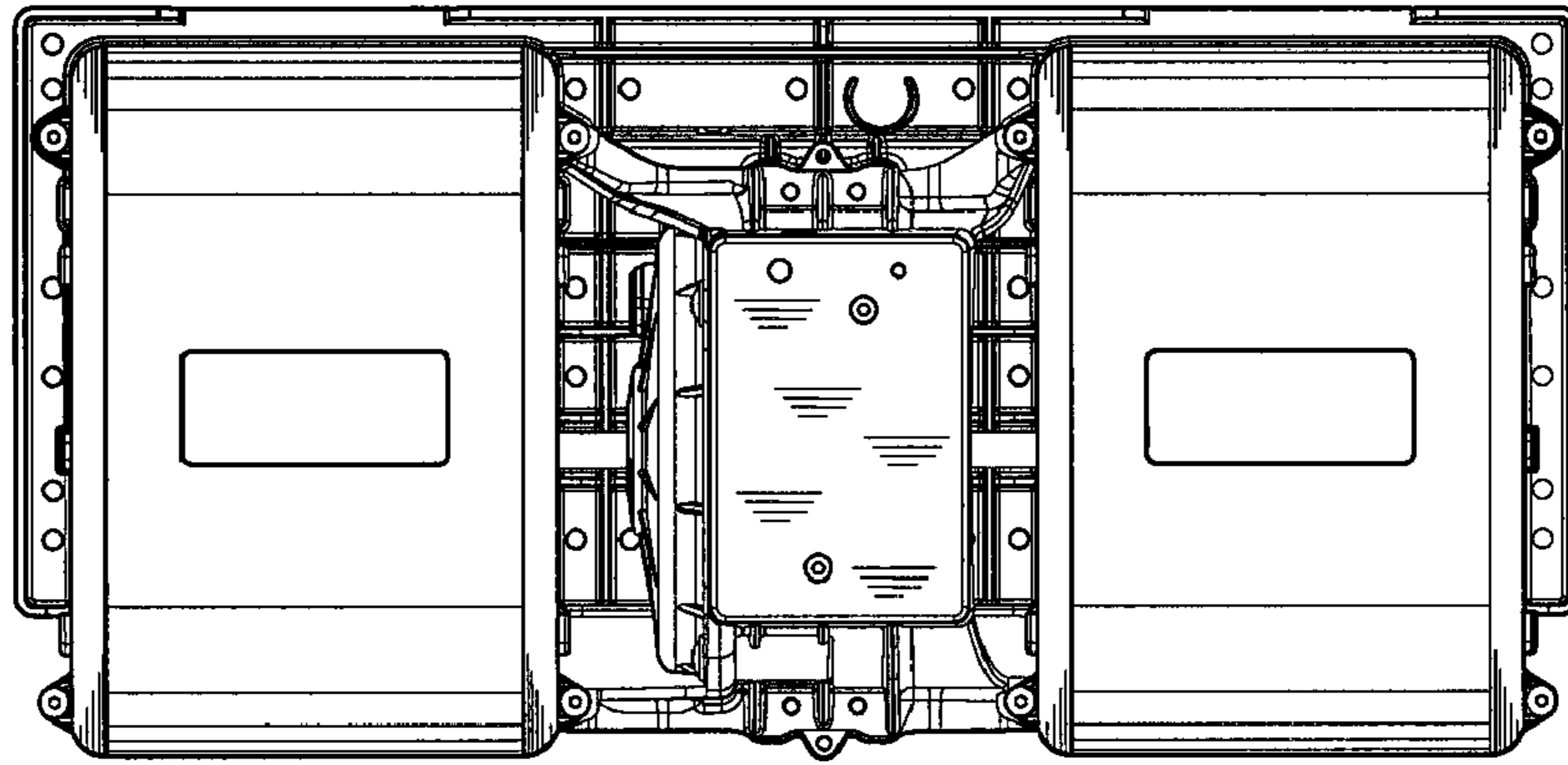


FIG.6

