



US00D593188S

(12) **United States Design Patent**
Warne et al.

(10) **Patent No.:** **US D593,188 S**

(45) **Date of Patent:** **** May 26, 2009**

(54) **VENTED TOILET**

7,275,271 B1 10/2007 Smith
7,376,985 B2 * 5/2008 Wen 4/421

(75) Inventors: **Monte Warne**, Dyersburg, TN (US);
Charlie Palmer, Dyersburg, TN (US)

OTHER PUBLICATIONS

(73) Assignee: **Hoss Fly, Inc.**, Dyersburg, TN (US)

“Jon-Air” Odorless Toilet Kit, Website <http://www.jon-air.com>,
Crowley Innovations, Inc., Hardeeville, SC.

(**) Term: **14 Years**

“Miracle Seat” vacuum toilet seat, Website <http://www.miracleseat.com>,
Miracle Seat Company, a division of Delpriss and Company, Inc., a Nevada Corporation.

(21) Appl. No.: **29/326,404**

“The V.I.P.” Odorless Toilet, website <http://www.odorlesstoilets.com>,
Smith Innovations, Inc., P. O. Box 1745, Dunnellon, FL.

(22) Filed: **Oct. 17, 2008**

* cited by examiner

(51) **LOC (9) Cl.** **23-02**

Primary Examiner—Robert A Delehanty

(52) **U.S. Cl.** **D23/309**

(74) *Attorney, Agent, or Firm*—Wadley & Patterson, PC;
Phillip E. Walker

(58) **Field of Classification Search** D23/273,
D23/295–301, 303, 309, 311; 4/663–664,
4/306, 217, 328–329, 347, 420, 661, DIG. 15
See application file for complete search history.

(57) **CLAIM**

What is claimed is the ornamental design for a vented toilet,
as shown and described.

(56) **References Cited**

DESCRIPTION

U.S. PATENT DOCUMENTS

3,295,147	A *	1/1967	Meyer	4/213
3,887,949	A *	6/1975	Osmond	4/217
4,168,553	A *	9/1979	Studer	4/348
4,175,293	A *	11/1979	Stephens et al.	4/209 R
4,365,361	A *	12/1982	Sanstrom	4/213
D327,539	S *	6/1992	Williams	D23/366
5,199,111	A *	4/1993	Antepencko	4/213
D404,477	S *	1/1999	Asuncion	D23/366
5,875,496	A *	3/1999	Schaffer	4/213
D408,508	S *	4/1999	Lopez	D23/311
5,896,591	A *	4/1999	Horan et al.	4/213
6,202,226	B1 *	3/2001	Shoptaugh	4/213
6,496,986	B1 *	12/2002	Lumsden	4/213
6,523,184	B2 *	2/2003	Prisco	4/213
6,678,900	B2 *	1/2004	Ware	4/213
6,760,928	B1 *	7/2004	Rodriguez	4/217
6,948,192	B2 *	9/2005	Hipponsteel	4/213
7,120,942	B2 *	10/2006	Kline et al.	4/213

FIG. 1 is a front perspective view showing the vented toilet of Applicant's invention.

FIG. 2 is a front elevation of the vented toilet of Applicant's invention.

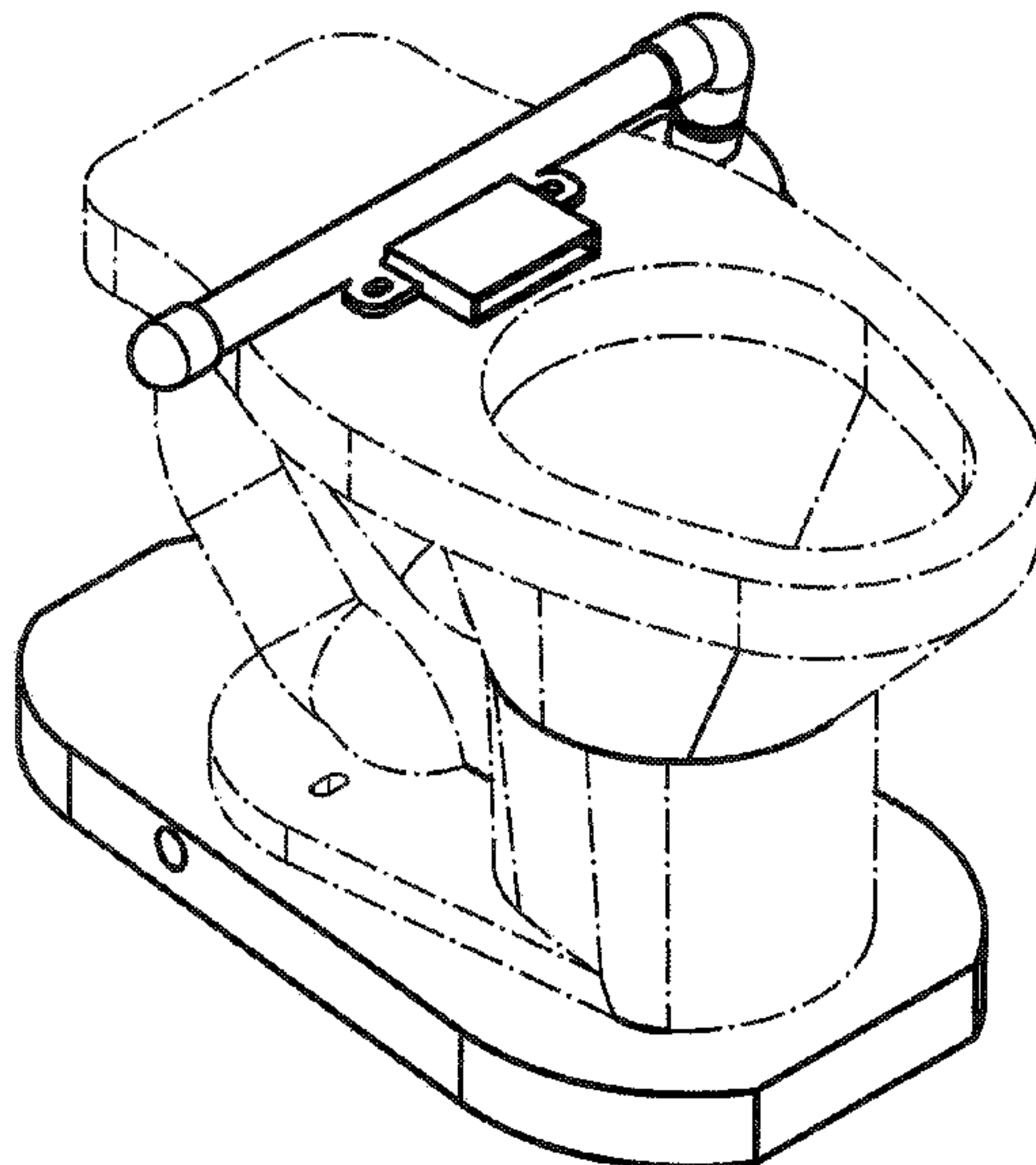
FIG. 3 is a right side elevation of the vented toilet of Applicant's invention.

FIG. 4 is a top view of the vented Toilet of Applicant's invention; and,

FIG. 5 is a bottom perspective of the vented toilet of Applicant's invention.

The broken line showing of toilet is included for the purpose of illustrating the vented toilet and forms no part of the claimed design.

1 Claim, 4 Drawing Sheets



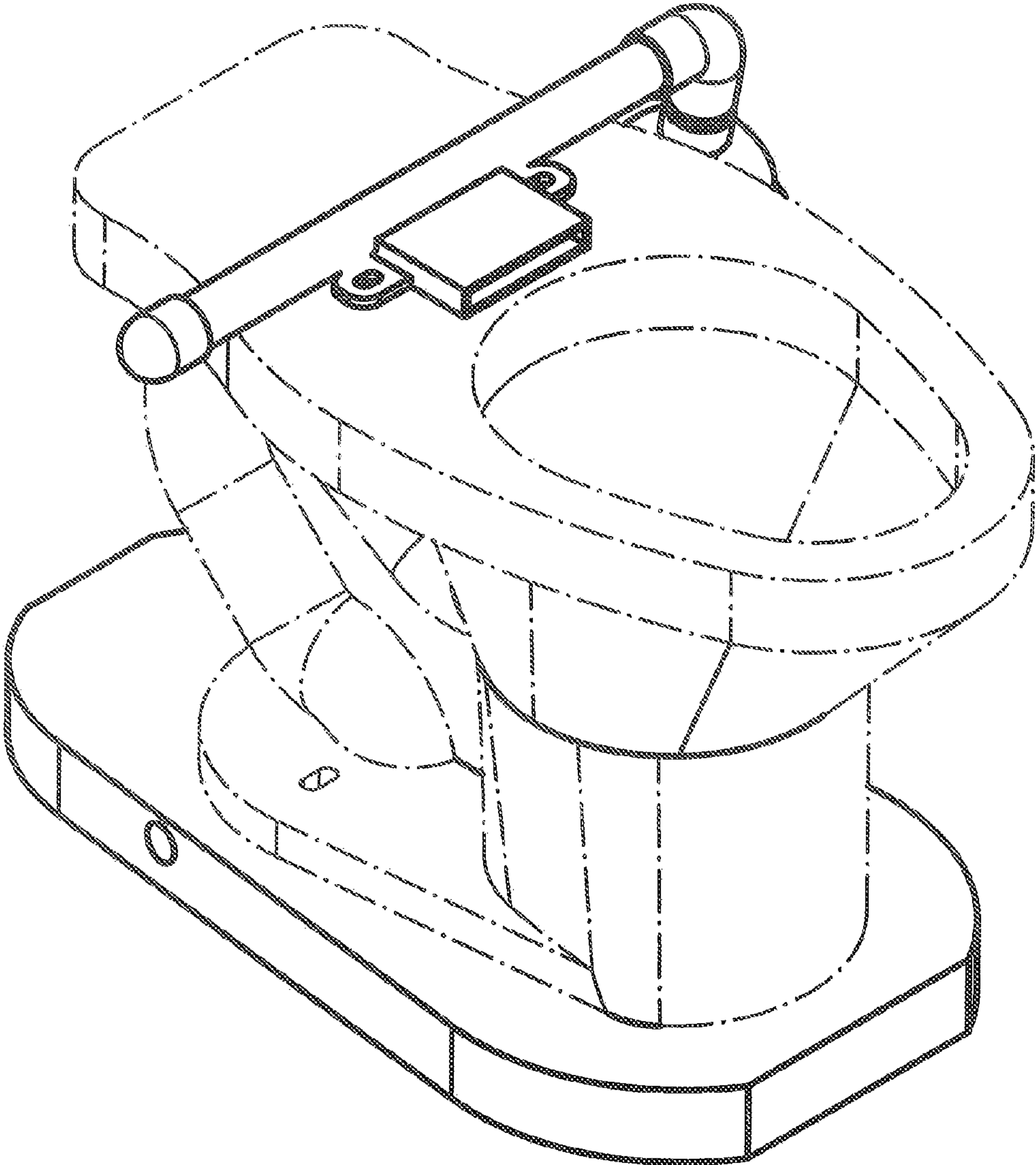
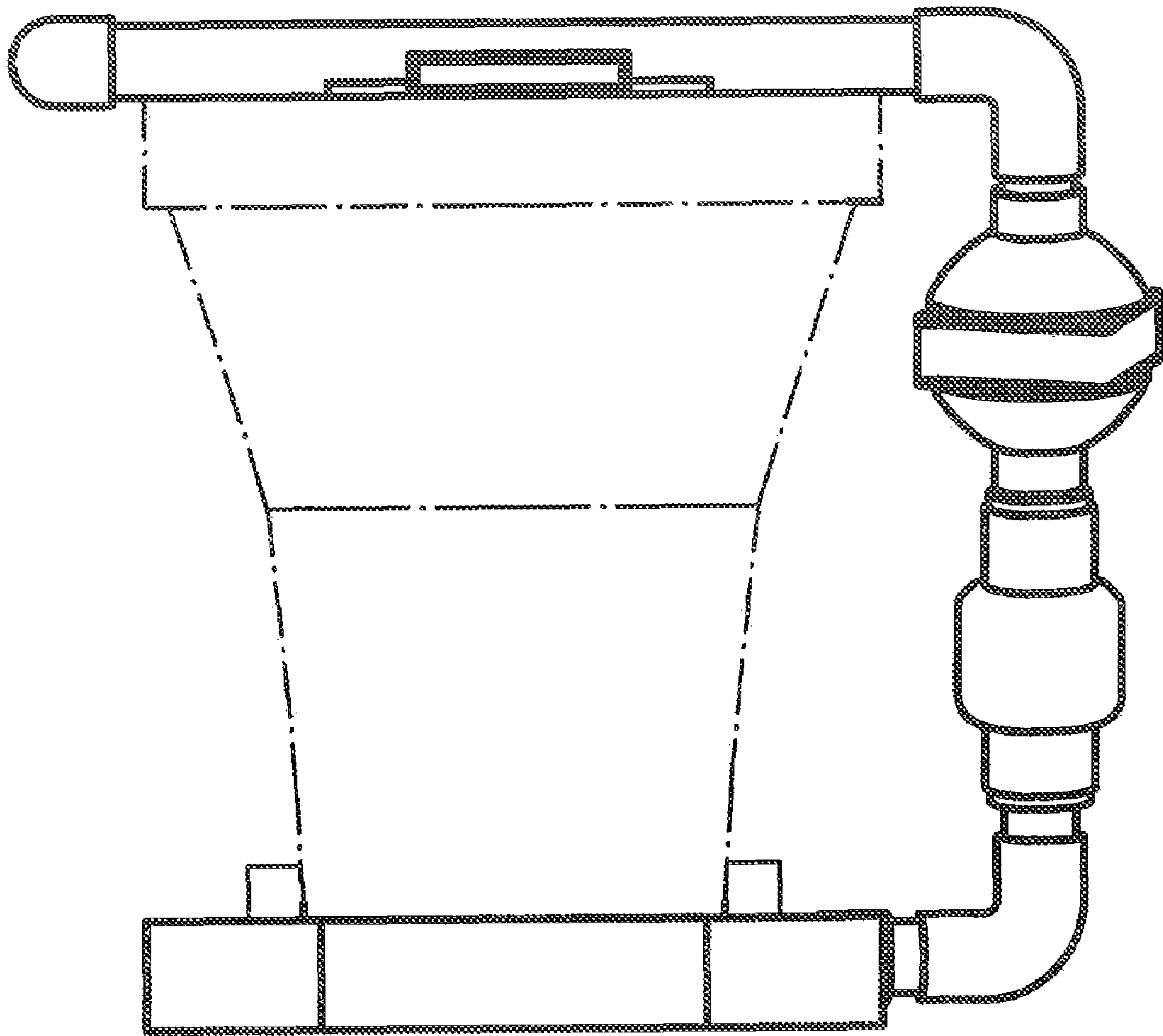


FIG. 1

FIG. 2



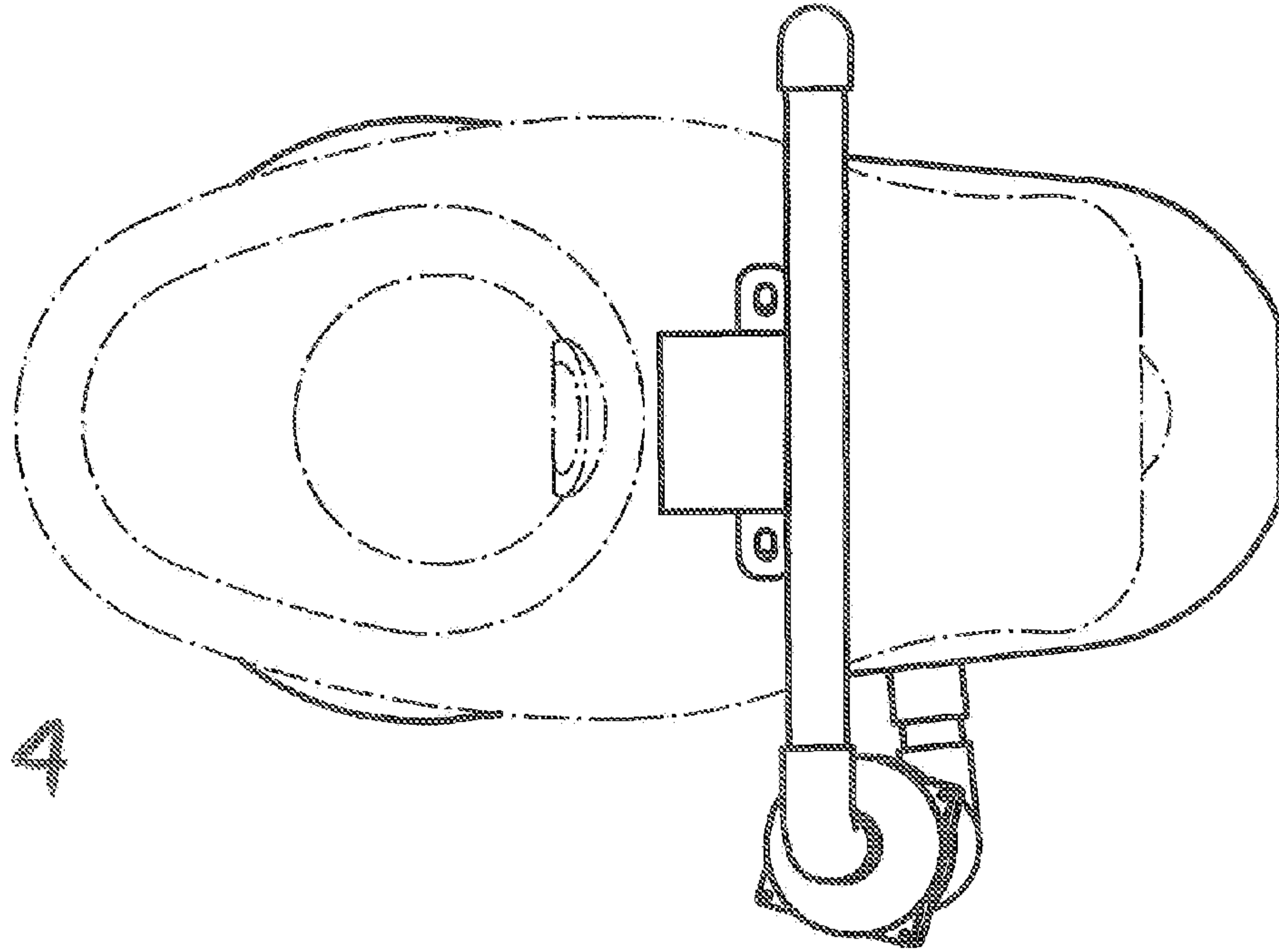


FIG. 4

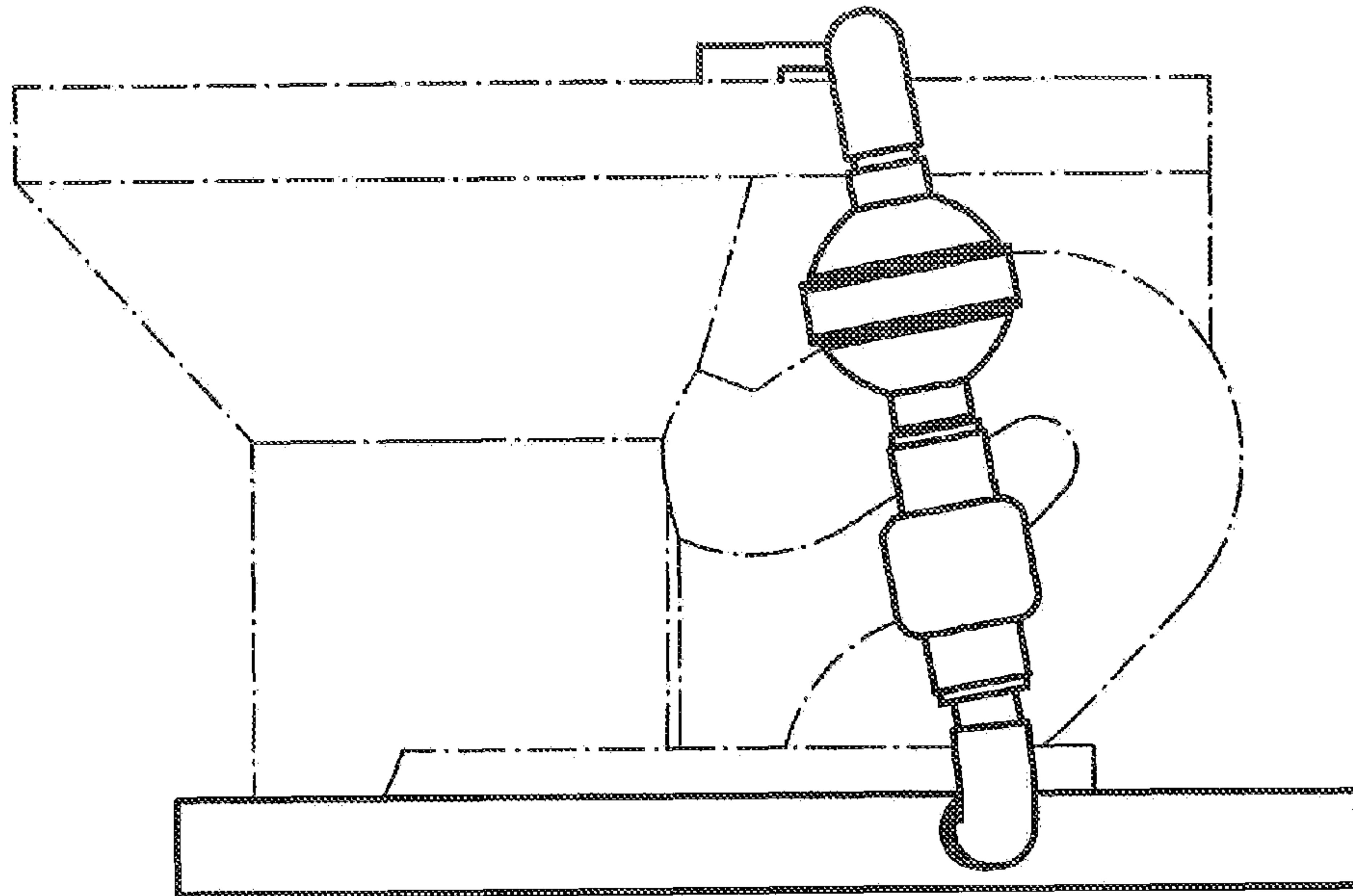


FIG. 3

FIG. 5

