

US00D593187S

(12) **United States Design Patent**
Good et al.

(10) **Patent No.:** **US D593,187 S**
(45) **Date of Patent:** **** May 26, 2009**

(54) **PUMP ASSEMBLY FOR A TOILET**

D513,429 S 1/2006 Fritz
D537,151 S 2/2007 Good et al.
D539,397 S 3/2007 Fritz

(75) Inventors: **Mark D. Good**, Ann Arbor, MI (US);
Brian Kelly, Mason, MI (US); **Michael Juska**, Ann Arbor, MI (US)

OTHER PUBLICATIONS

Co-pending U.S. Appl. No. 12/245,051, filed Oct. 3, 2008.
Raritan Engineering Company, Inc. brochure entitled "Compact IITM," Undated, 2 Pages.
Raritan Engineering Company, Inc. brochure entitled "PHII and PHEII," Undated, 2 Pages.

(73) Assignee: **Theftford Corporation**, Ann Arbor, MI (US)

(**) Term: **14 Years**

* cited by examiner

(21) Appl. No.: **29/326,023**

Primary Examiner—Robert A Delehanty

(22) Filed: **Oct. 10, 2008**

(74) *Attorney, Agent, or Firm*—Harness, Dickey & Piece, P.L.C.

Related U.S. Application Data

(63) Continuation of application No. 29/295,860, filed on Oct. 9, 2007, now Pat. No. Des. 583,031.

(57) **CLAIM**

(51) **LOC (9) Cl.** **23-02**

The ornamental design for a pump assembly for a toilet, as shown and described.

(52) **U.S. Cl.** **D23/309**

DESCRIPTION

(58) **Field of Classification Search** D23/273–274, D23/295–299, 303, 309; 4/663–664, 300, 4/312, 329, 348, 352–353, 431–433; D15/7
See application file for complete search history.

FIG. 1 is a perspective view of a pump assembly for a toilet showing our new design in operative associated with a pump assembly;

(56) **References Cited**

U.S. PATENT DOCUMENTS

| | | | | |
|-----------|-----|---------|-----------------|----------|
| 637,399 | A * | 11/1899 | Miles | 4/433 |
| 863,843 | A * | 8/1907 | Goblet | 4/433 |
| 1,650,370 | A * | 11/1927 | Mahoney | 4/433 |
| D114,166 | S | 4/1939 | Andersen et al. | |
| 3,323,650 | A * | 6/1967 | Kilbane, Jr. | 4/431 |
| 3,986,216 | A * | 10/1976 | Davis et al. | 4/432 |
| 4,319,366 | A * | 3/1982 | Baker et al. | 4/323 |
| 5,073,994 | A * | 12/1991 | Sargent et al. | 4/332 |
| 5,823,754 | A * | 10/1998 | Lee | 4/255.08 |
| D484,957 | S | 1/2004 | Grech et al. | |

FIG. 2 is a front view of the pump assembly for a toilet of FIG. 1;

FIG. 3 is a left side view thereof;

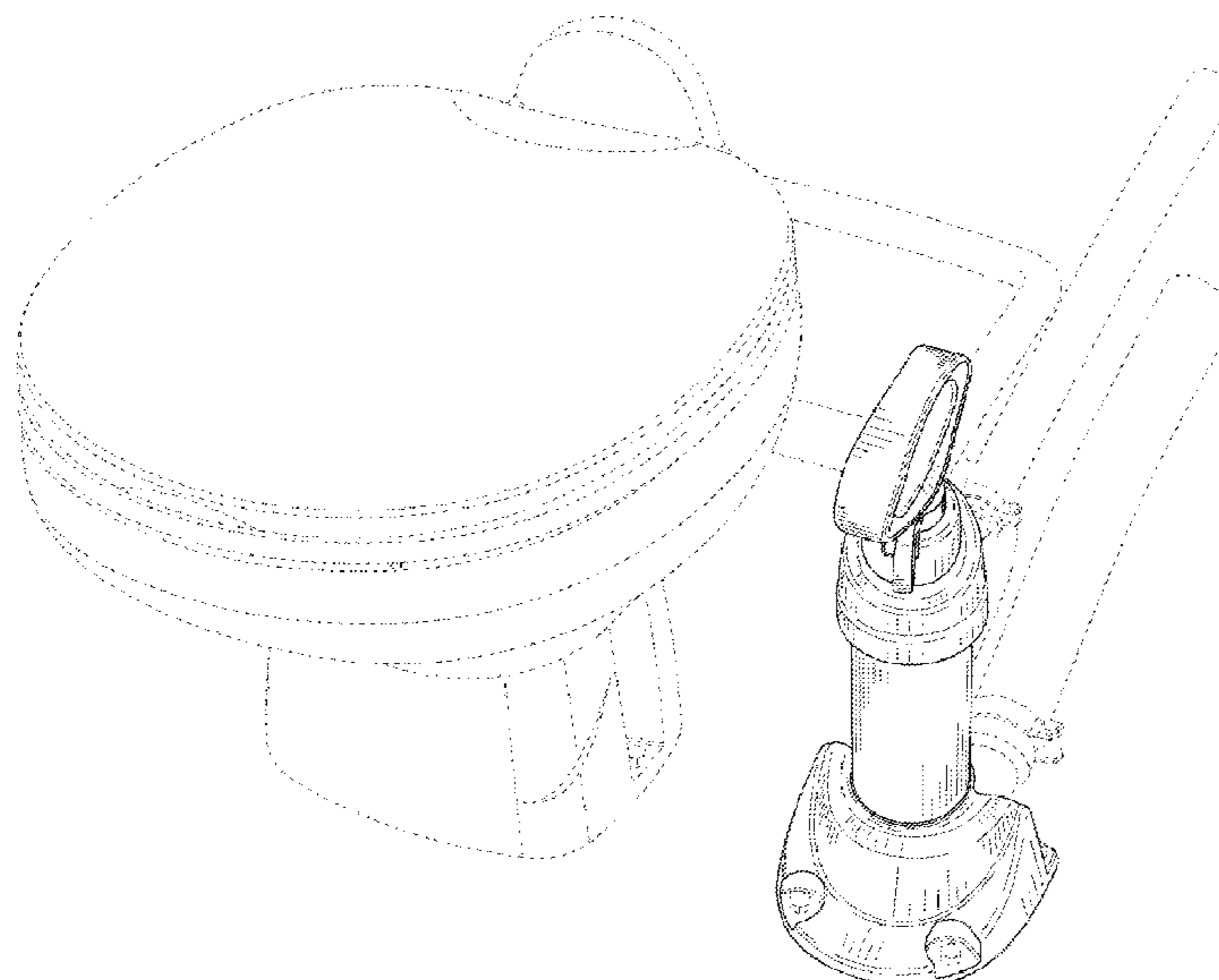
FIG. 4 is a right side view thereof;

FIG. 5 is a top view thereof; and,

FIG. 6 is a rear view thereof.

The broken line showing of a toilet bowl is included for the purpose of illustrating toilet pump and forms no part of the claimed design.

1 Claim, 4 Drawing Sheets



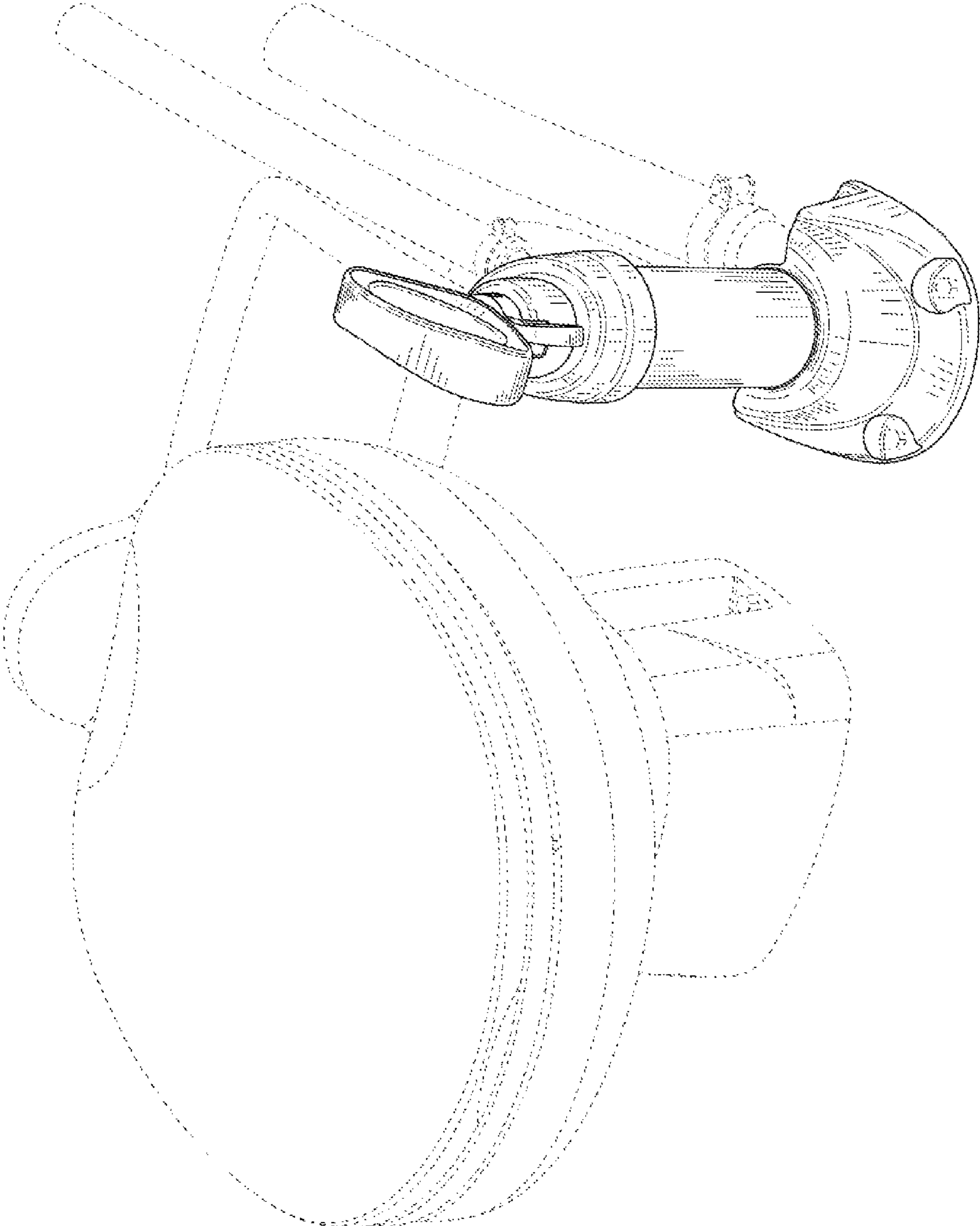


FIG. 1

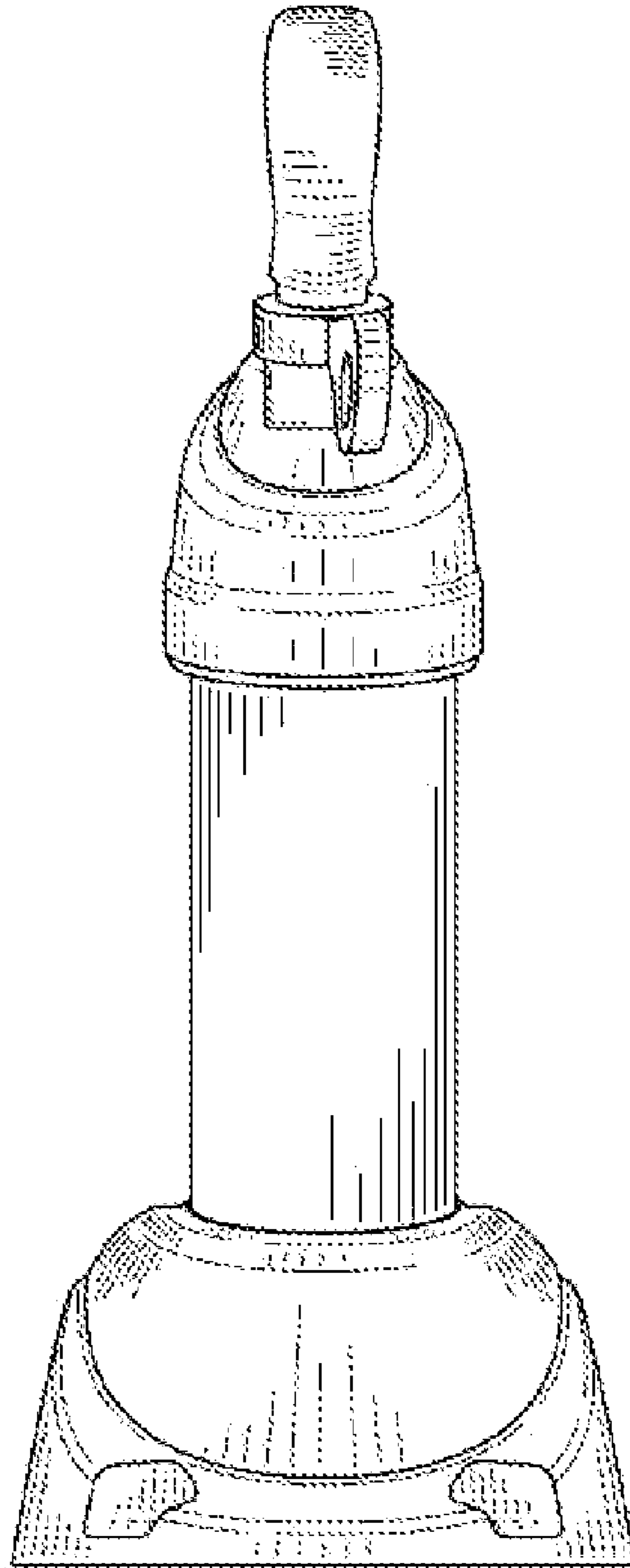


FIG. 2

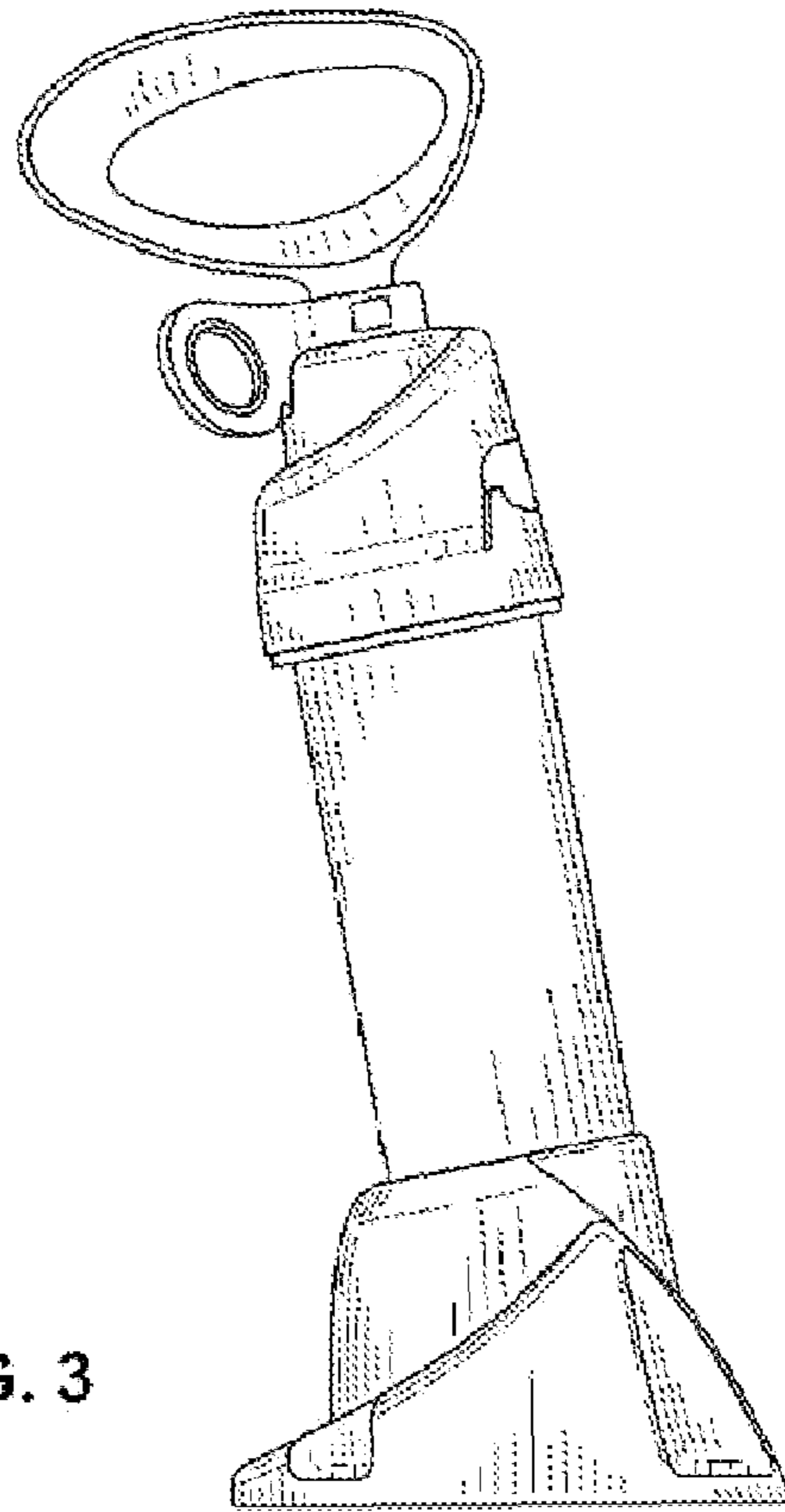


FIG. 3

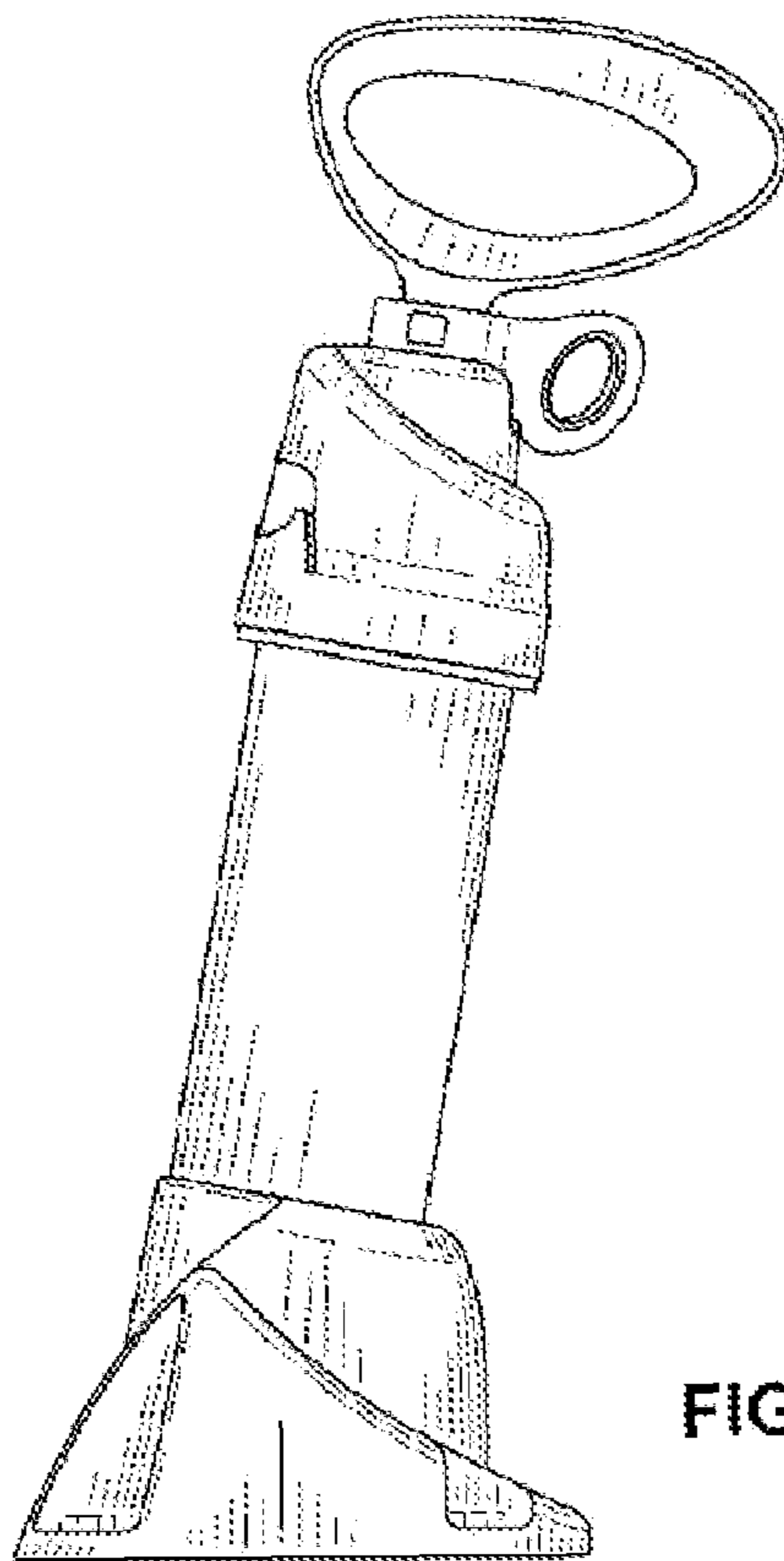


FIG. 4

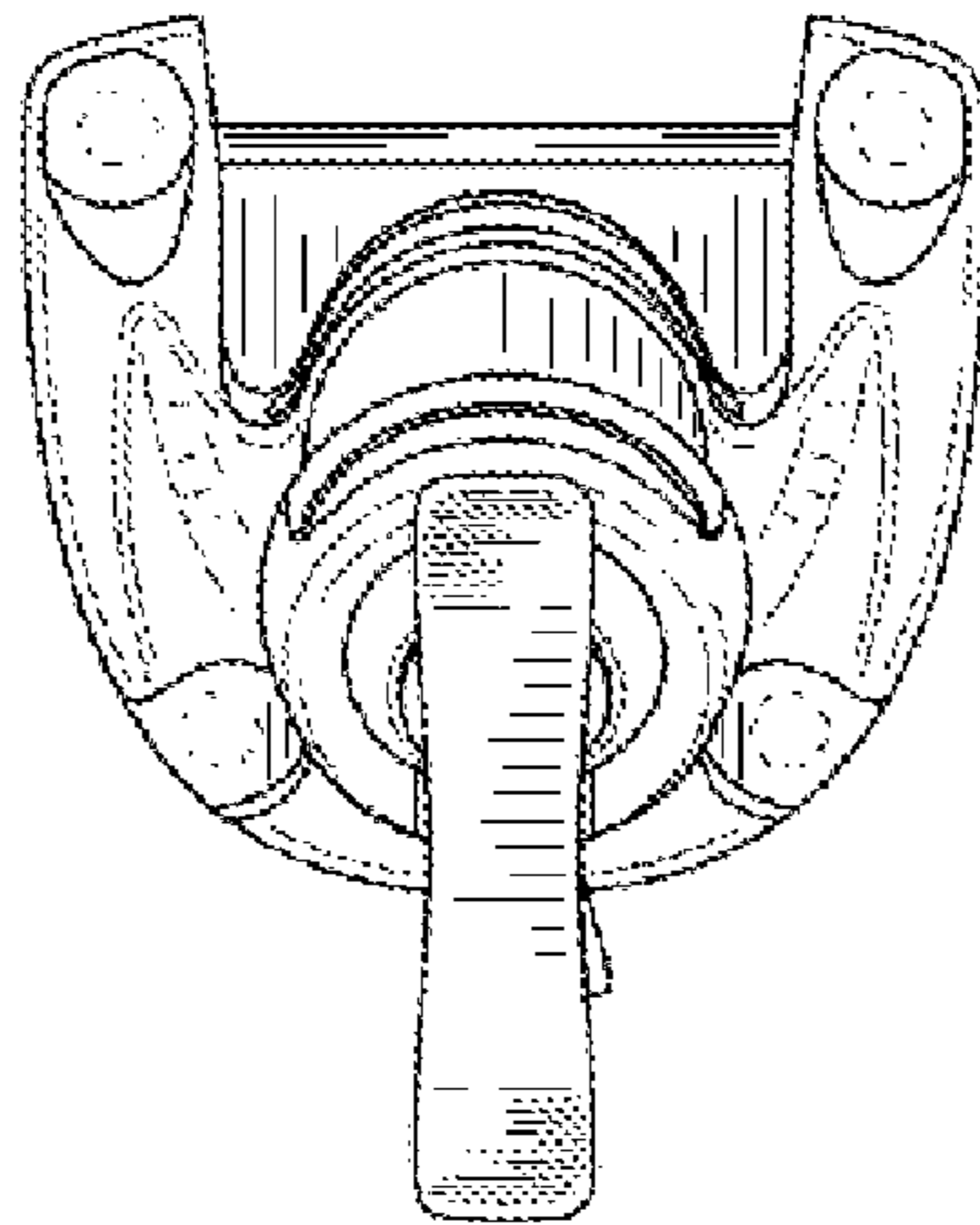


FIG. 5

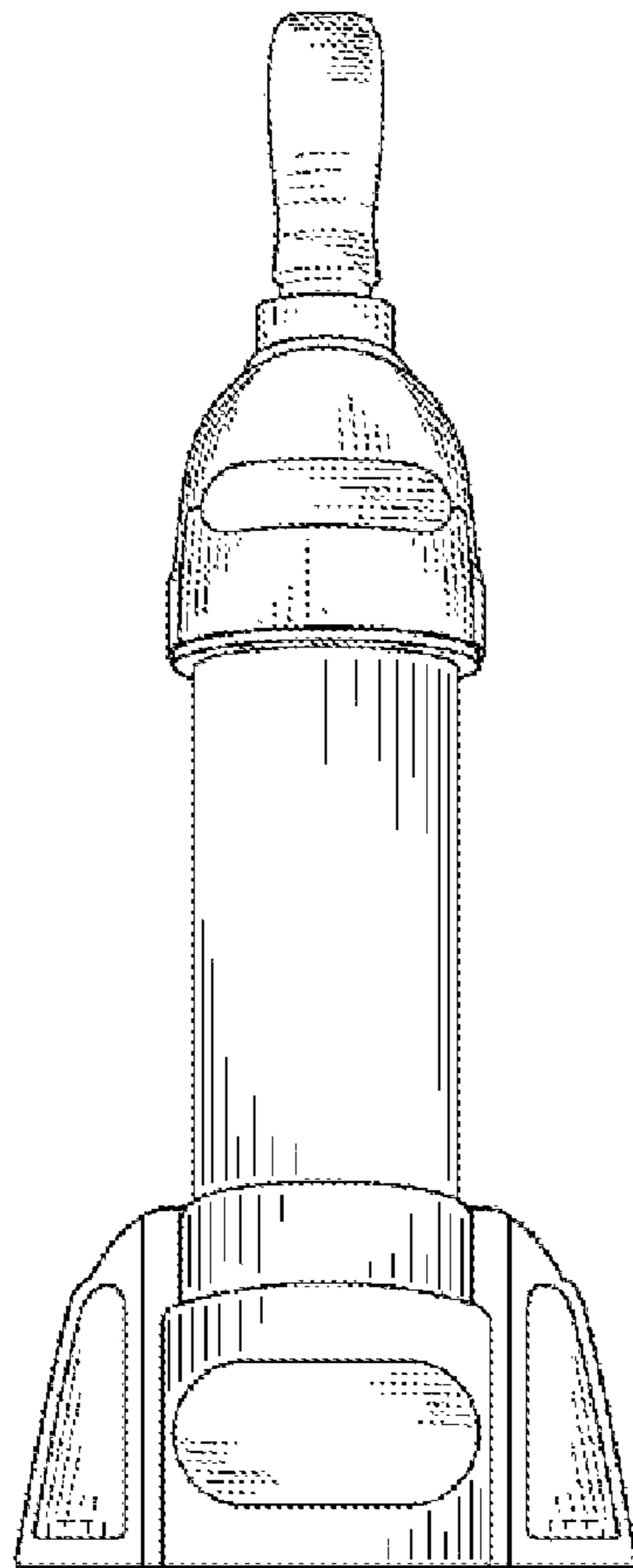


FIG. 6