



US00D593184S

(12) **United States Design Patent**
Gloor

(10) **Patent No.:** **US D593,184 S**

(45) **Date of Patent:** **** May 26, 2009**

(54) **FAUCET**

(75) Inventor: **Roland Gloor**, Zetzwil (CH)

(73) Assignee: **KWC AG**, Unterkulm (CH)

(**) Term: **14 Years**

(21) Appl. No.: **29/266,685**

(22) Filed: **Sep. 27, 2006**

(30) **Foreign Application Priority Data**

Mar. 27, 2006 (CH) 132647

(51) **LOC (9) Cl.** **23-01**

(52) **U.S. Cl.** **D23/238**

(58) **Field of Classification Search** D23/200,
D23/238-257; D6/512, 546, 550; D8/300,
D8/307-308, 310-312, 321; 4/675-678;
137/801; 16/110.1, 441

See application file for complete search history.

(56) **References Cited**

U.S. PATENT DOCUMENTS

D435,288 S *	12/2000	Milrud et al.	D23/254
D436,653 S *	1/2001	Lefroy-Brooks	D23/241
D513,635 S *	1/2006	Haug et al.	D23/238
D514,664 S *	2/2006	Starck	D23/238
D517,167 S *	3/2006	Kulig	D23/238
D522,104 S *	5/2006	Hoernig	D23/252
D523,938 S *	6/2006	Hoernig	D23/257
D526,389 S	8/2006	Lammel et al.		
D528,635 S	9/2006	Lammel et al.		
D532,487 S *	11/2006	Citterio	D23/252
D539,875 S *	4/2007	Starck	D23/254
D542,384 S *	5/2007	Starck	D23/254

OTHER PUBLICATIONS

- U.S. Appl. No. 29/234,422, filed Jul. 19, 2005, Lammel, et al.
- U.S. Appl. No. 29/253,832, filed Feb. 14, 2006, Lammel, et al.
- U.S. Appl. No. 29/253,837, filed Feb. 14, 2006, Lammel, et al.
- U.S. Appl. No. 29/259,023, filed May 2, 2006, Lammel, et al.
- U.S. Appl. No. 29/266,685, filed Sep. 27, 2006, Gloor.

* cited by examiner

Primary Examiner—Robert A. Delehanty

Assistant Examiner—Mark Cavanna

(74) *Attorney, Agent, or Firm*—Oblon, Spivak, McClelland, Maier & Neustadt, P.C.

(57) **CLAIM**

The ornamental design for a faucet or the like, as shown and described.

DESCRIPTION

FIG. 1 is a bottom, left and front side perspective view of the faucet, showing my new design;

FIG. 2 is a top, left and front side perspective view thereof;

FIG. 3 is a top plan view thereof;

FIG. 4 is a bottom plan view thereof;

FIG. 5 is a right side elevational view thereof, the left side elevational view being a mirror image of the side view shown;

FIG. 6 is a front elevational view thereof;

FIG. 7 is a top, left and front side perspective view of the faucet with the spout shown in an extracted position;

FIG. 8 is a right side elevational view thereof, with the spout shown in an extracted position the left side elevational view being a mirror image of the side view shown;

FIG. 9 is a front elevational view of the faucet with the spout pivoted;

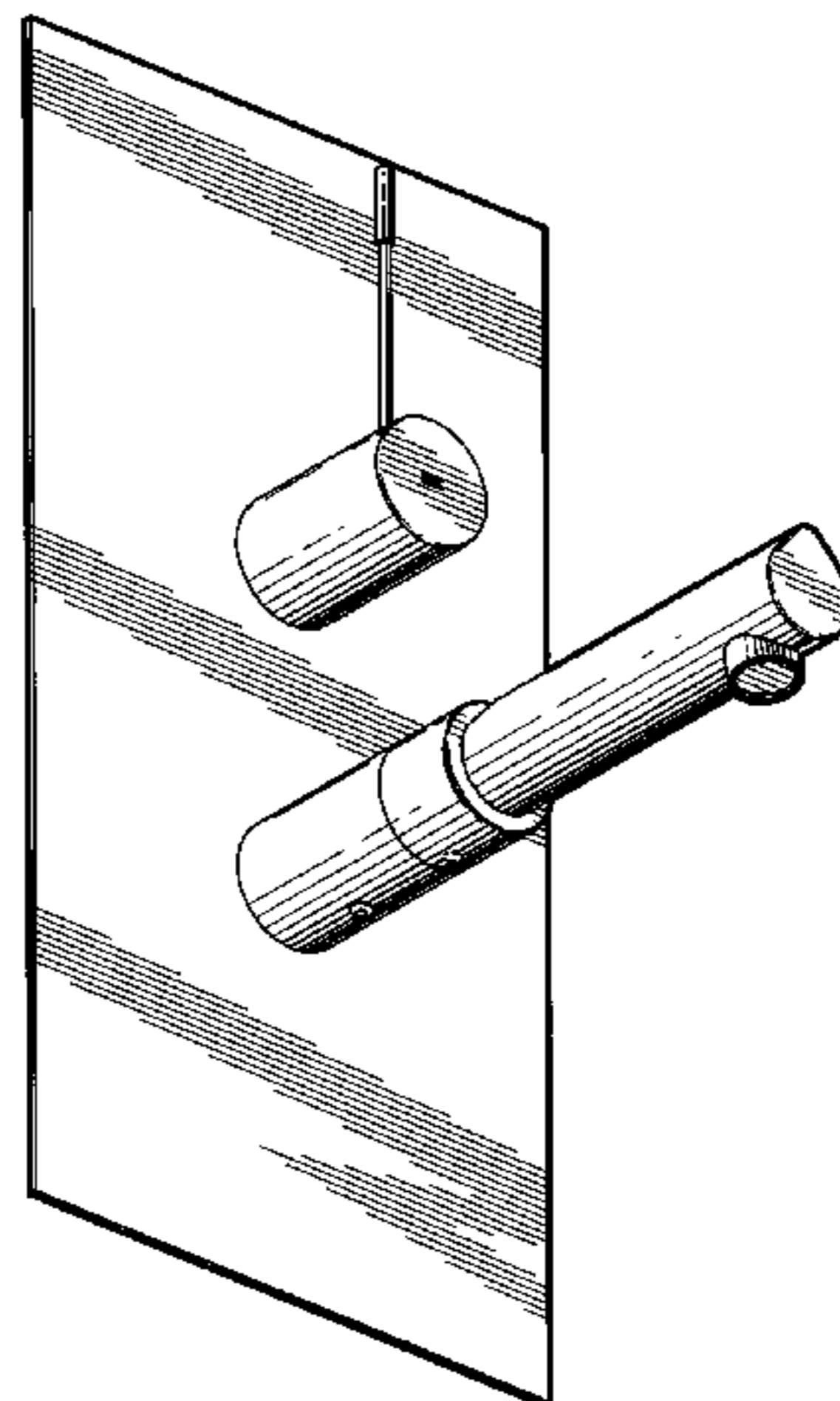
FIG. 10 is a front elevational view thereof with the spout pivoted in the opposite direction;

FIG. 11 is a top, left and front side perspective view of the faucet with the spout shown in an extracted pivoted position and the faucet collar rotated; and,

FIG. 12 is a top, left and front side perspective view of the faucet with the spout shown in a pivoted position and the faucet collar rotated.

The broken lines shown on the bottom of the spout and the letters “KWC” on front of the control knob are included for the purpose of illustrating portions of the faucet that forms no part of the claimed design.

1 Claim, 12 Drawing Sheets



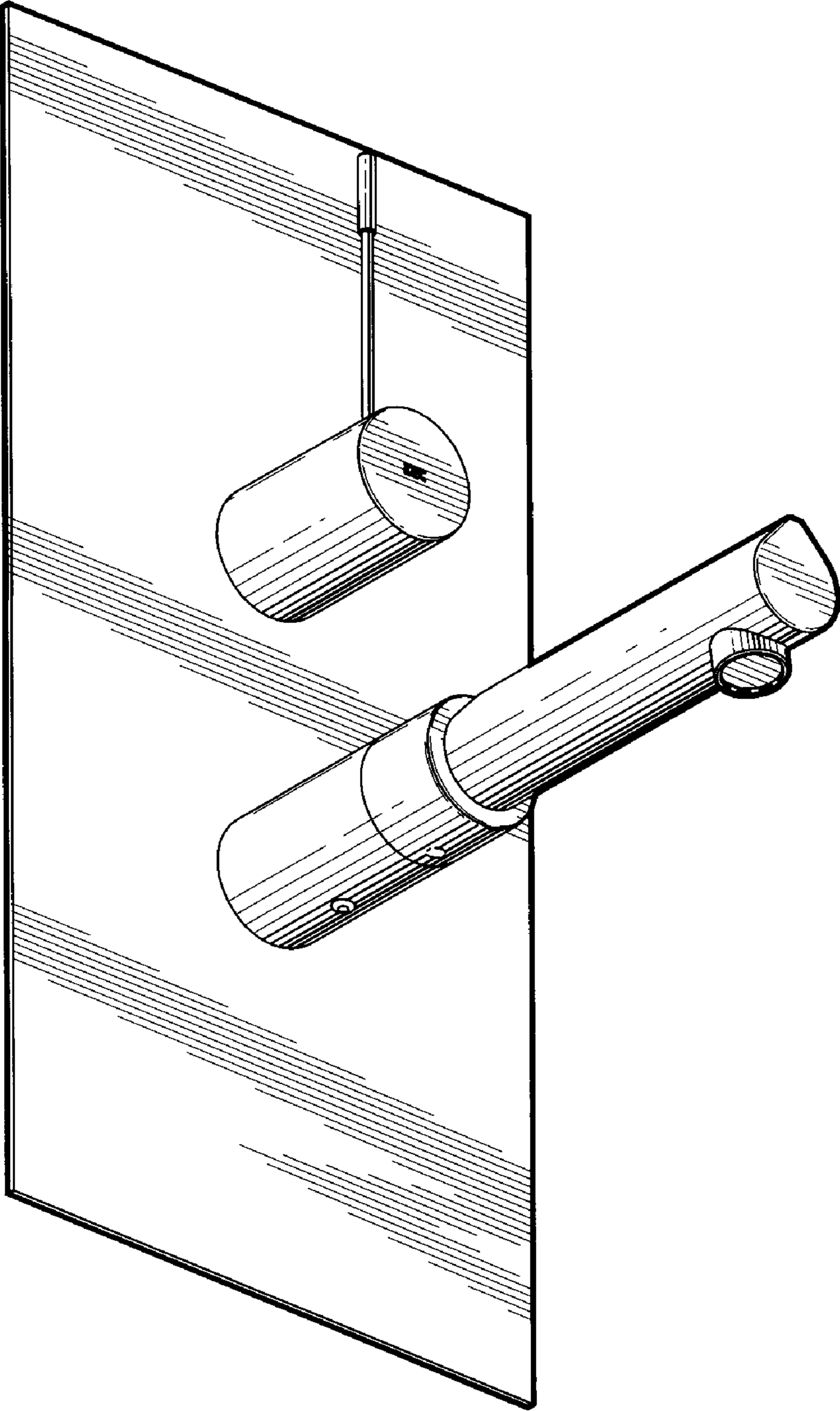


Fig. 1

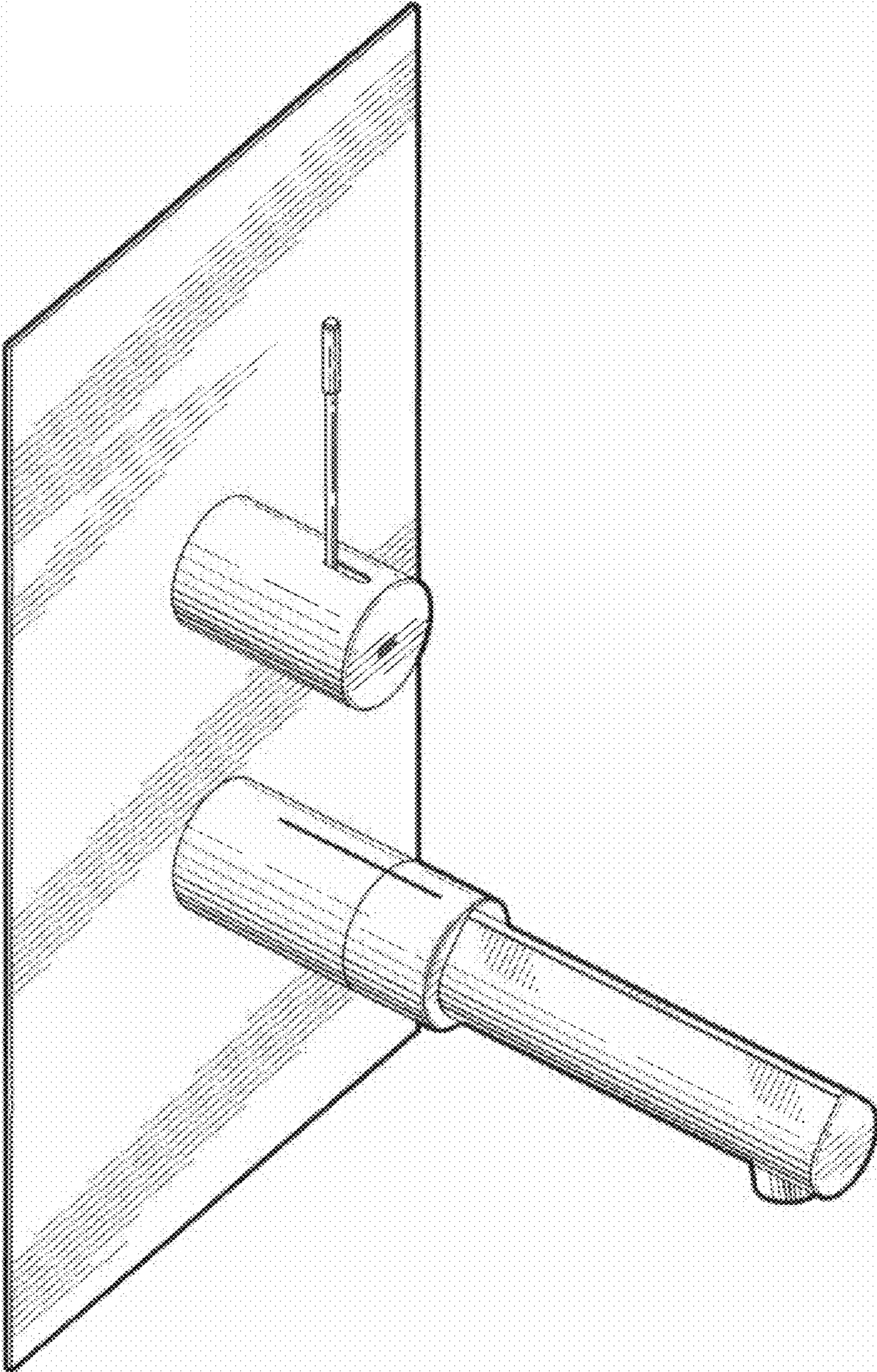


Fig. 2

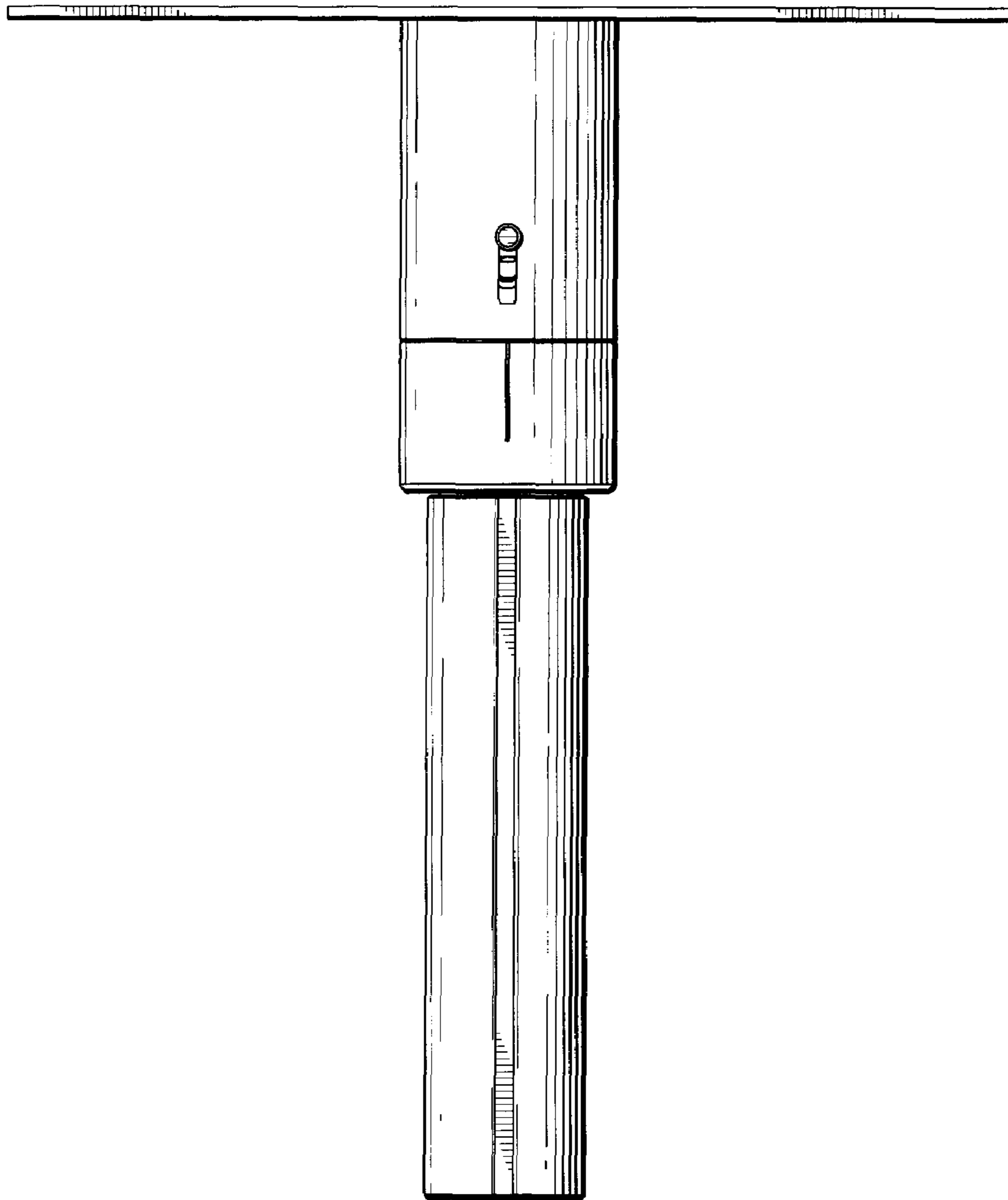


Fig. 3

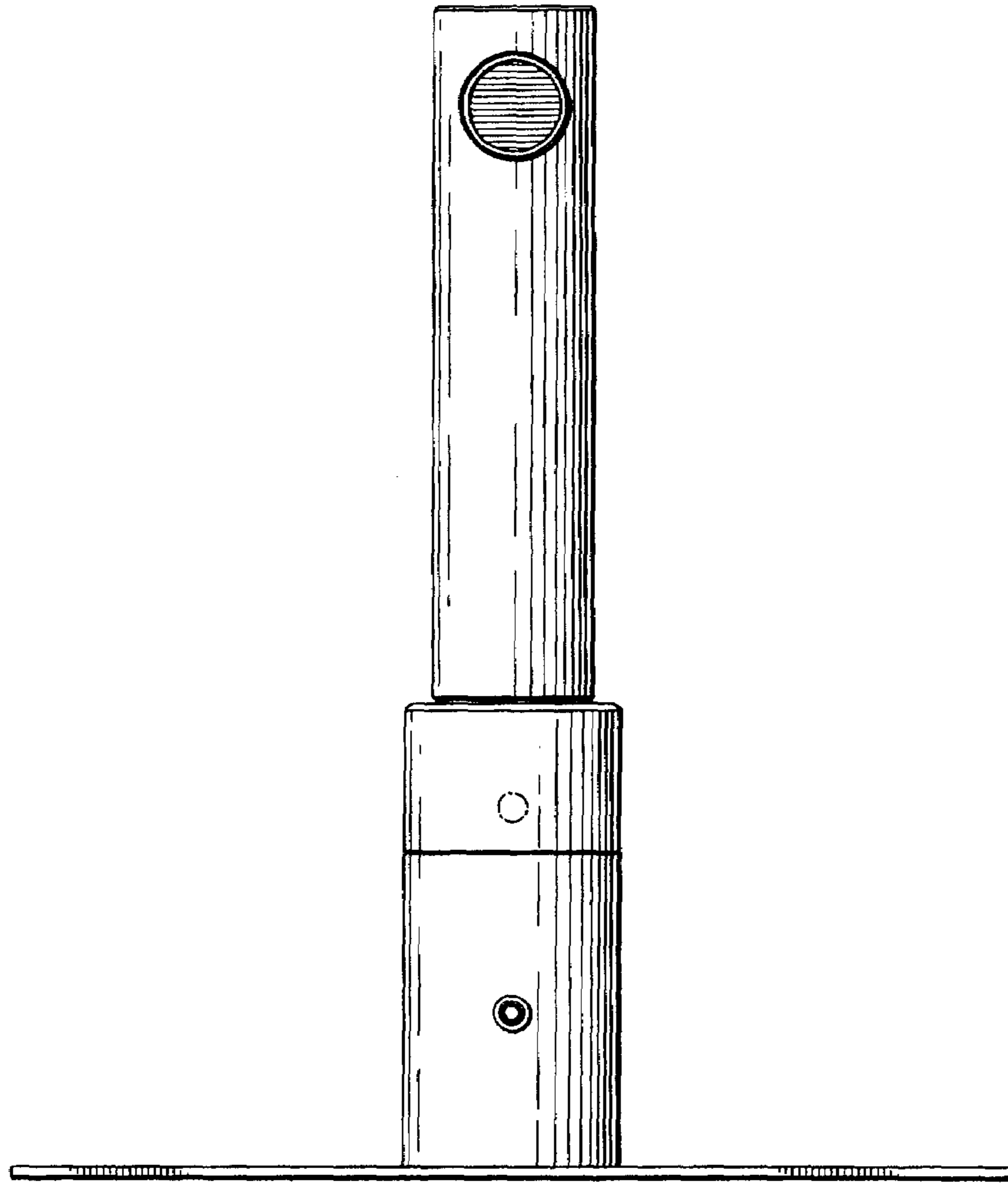


Fig. 4

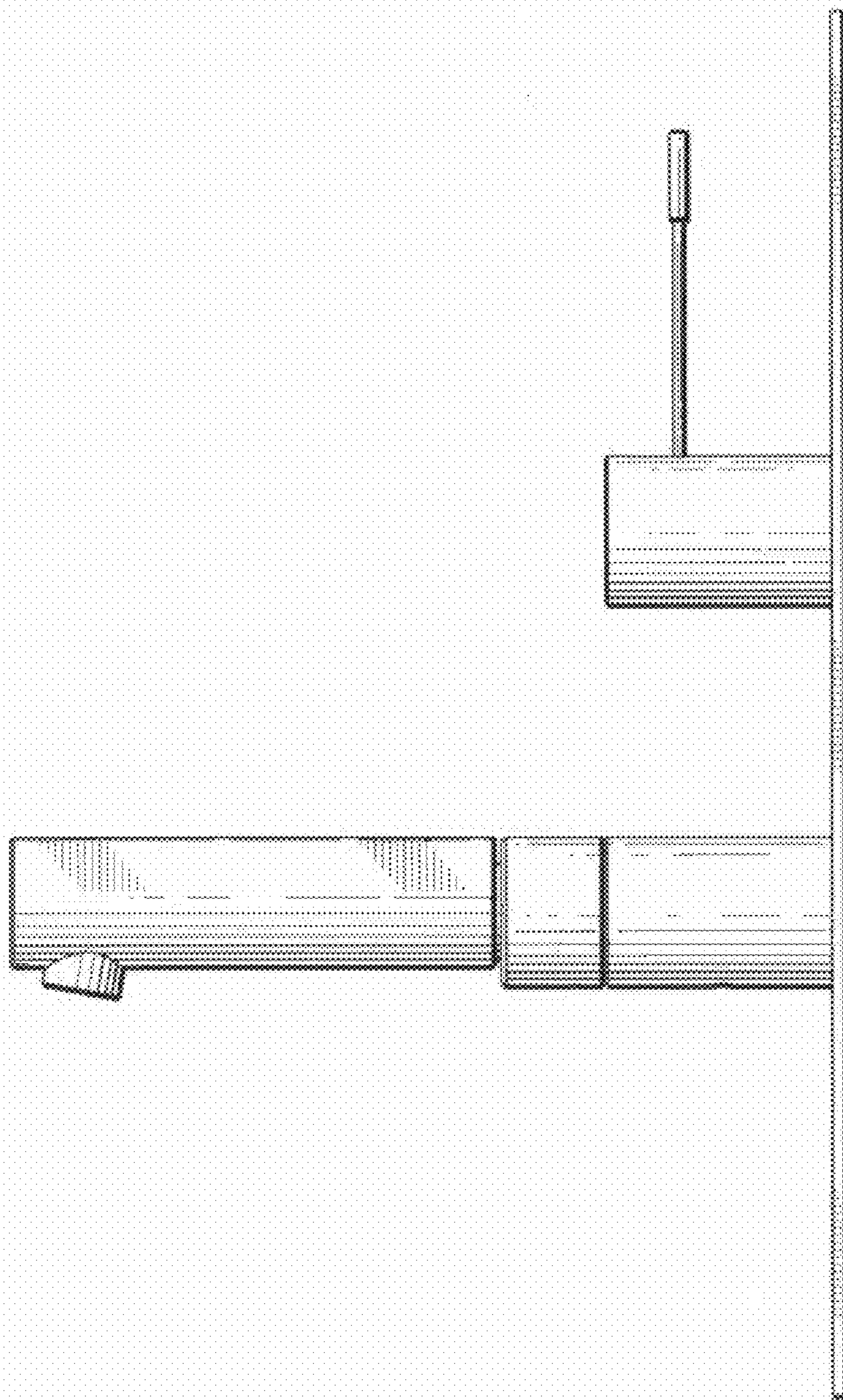


Fig. 5

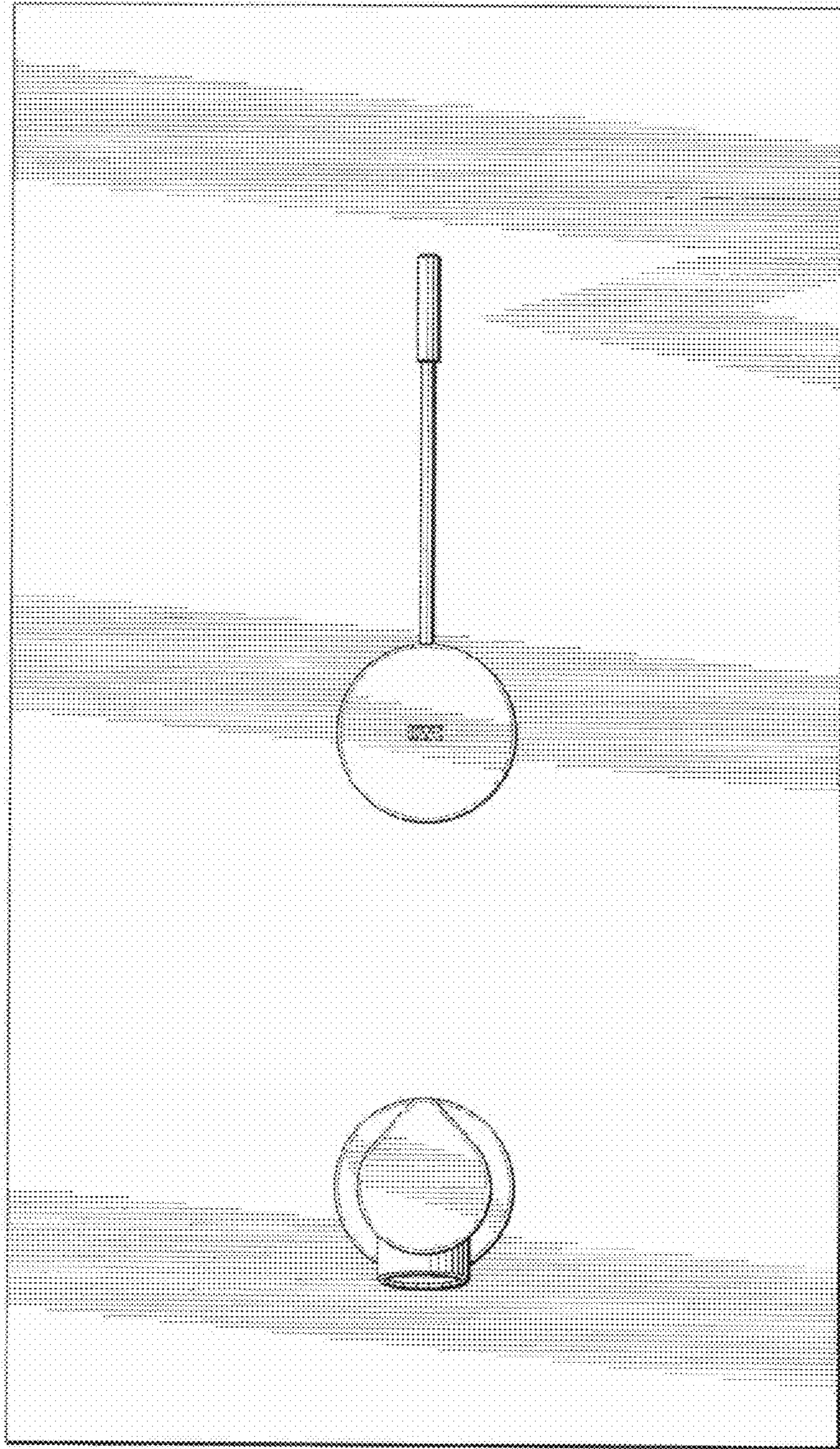


Fig. 6

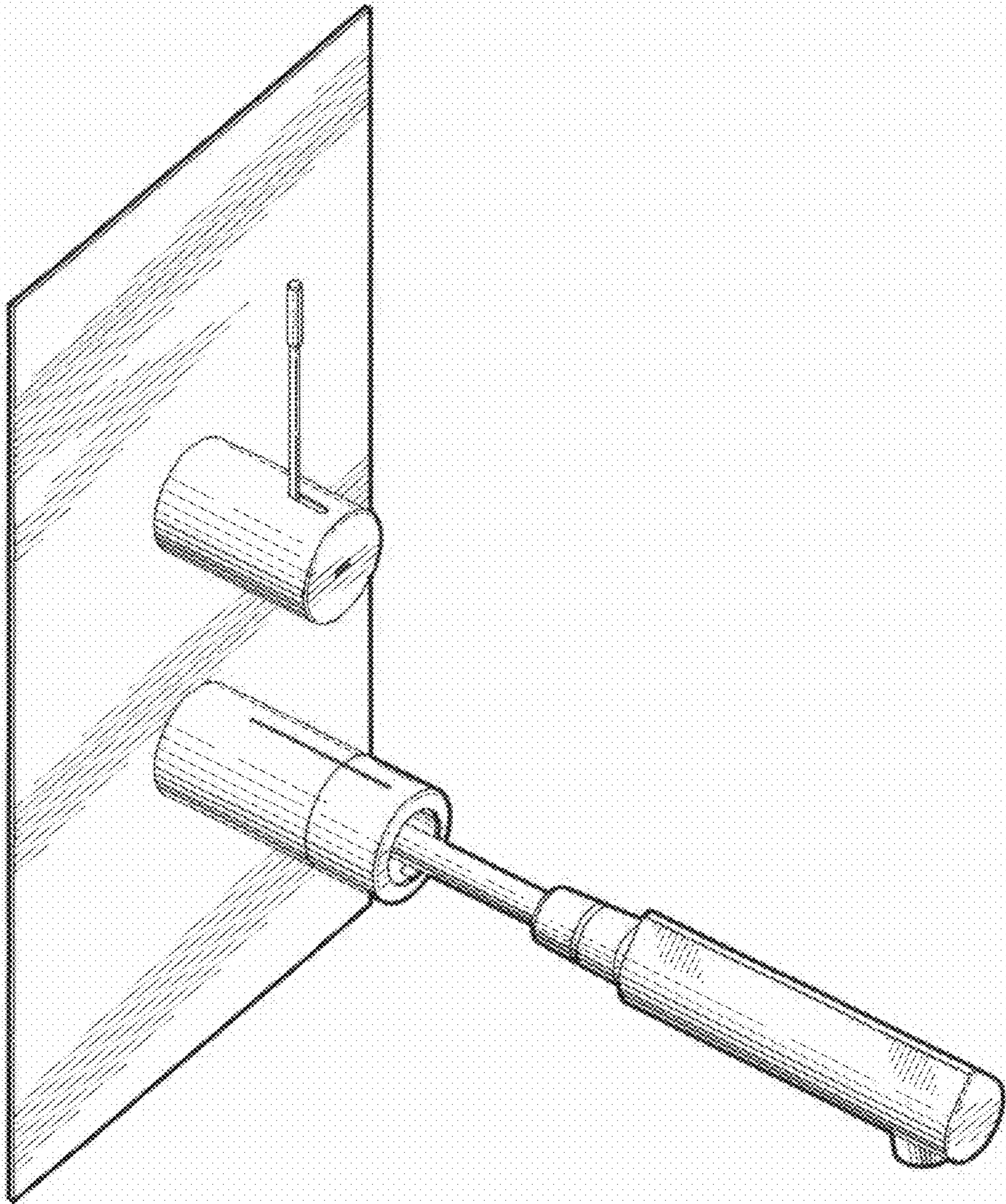


Fig. 7

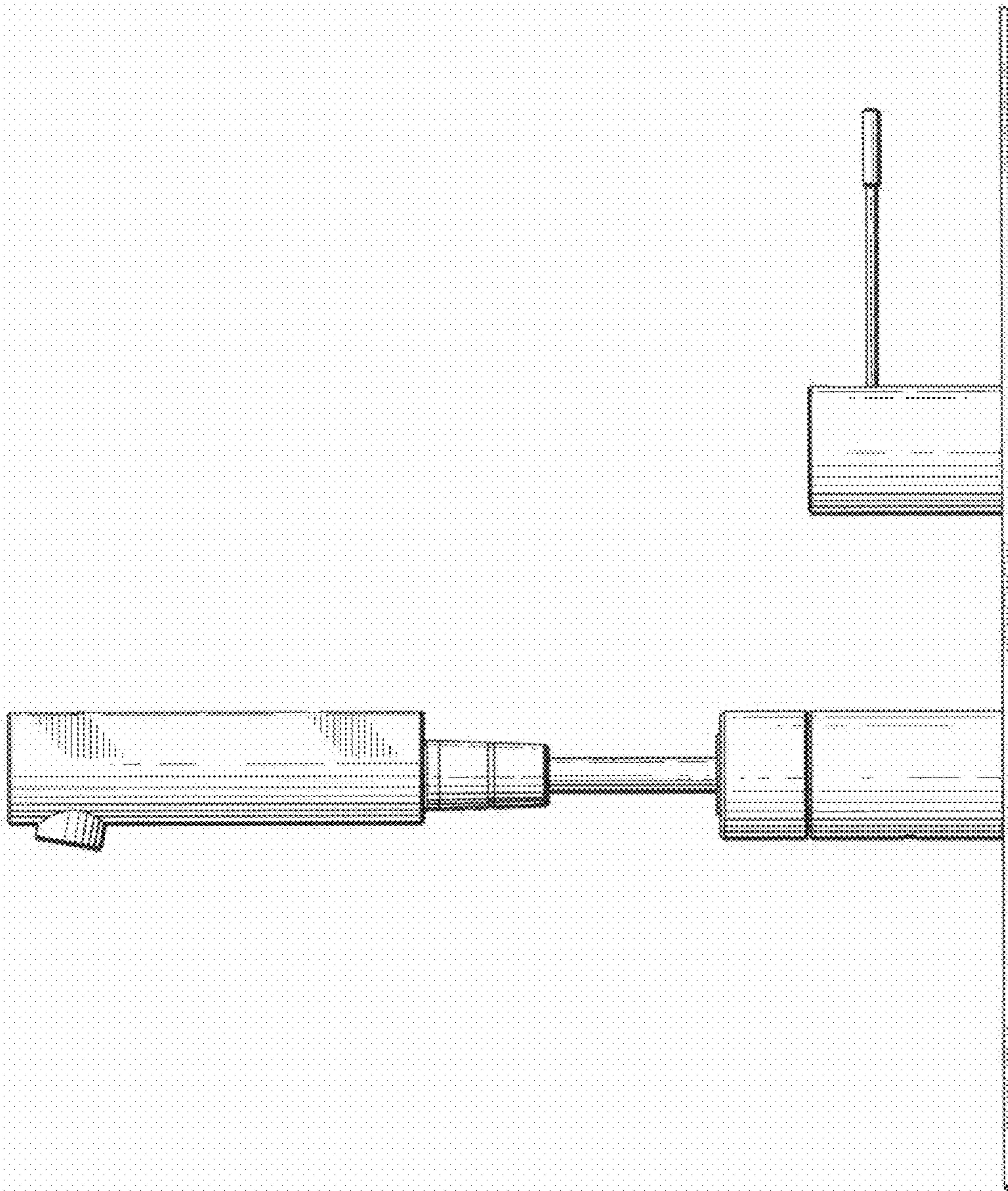


Fig. 8

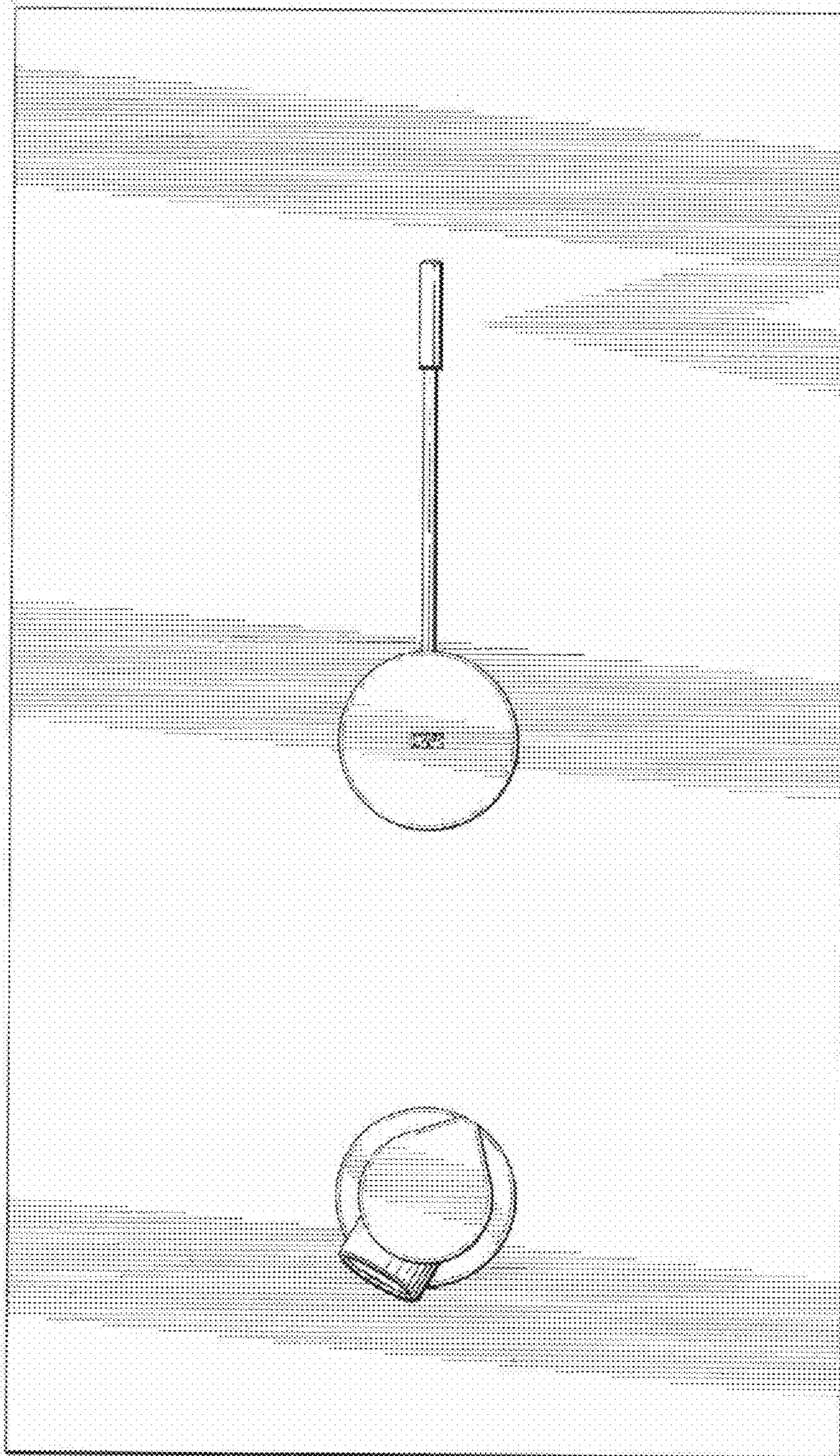


Fig. 9

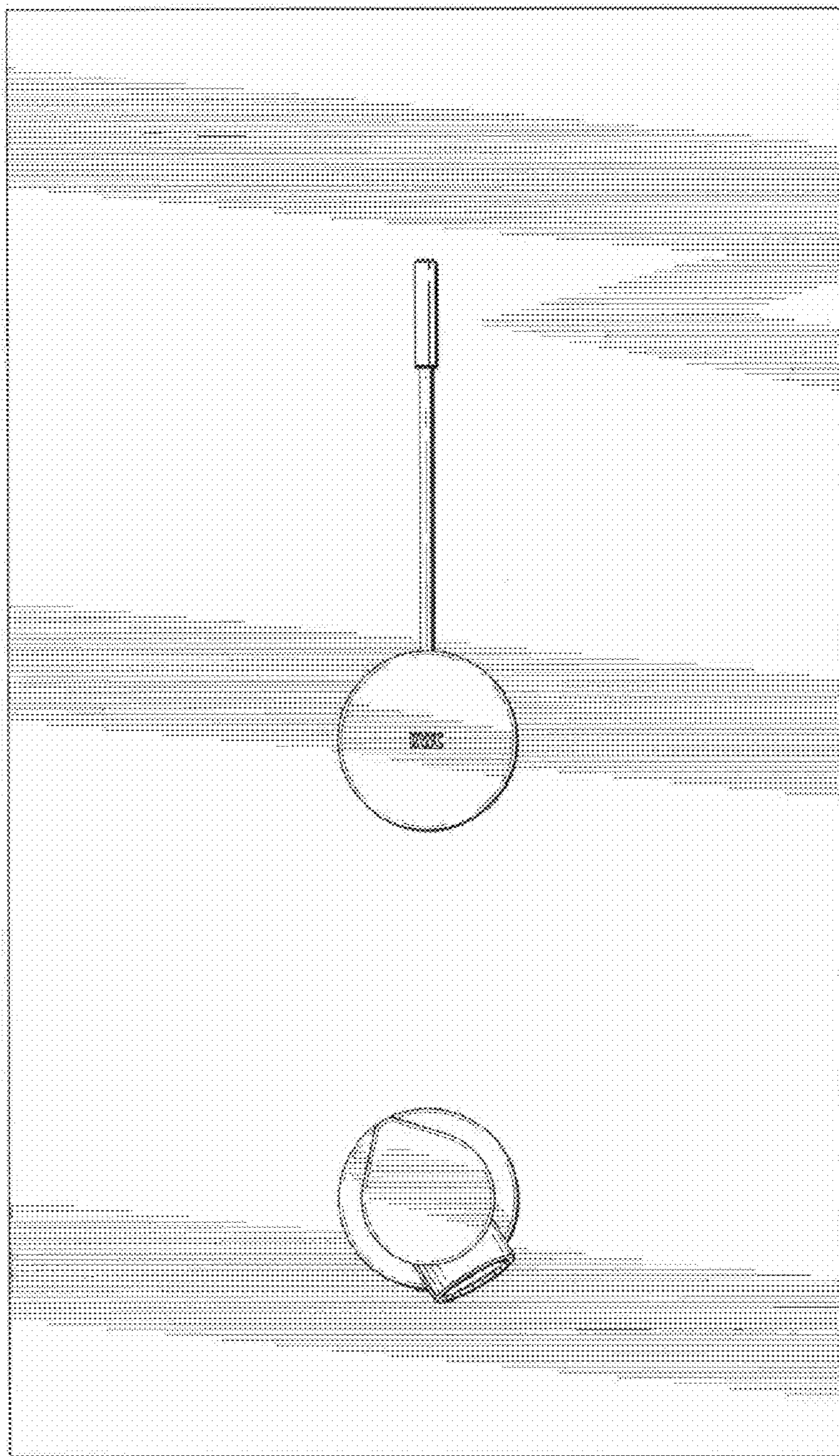


Fig. 10

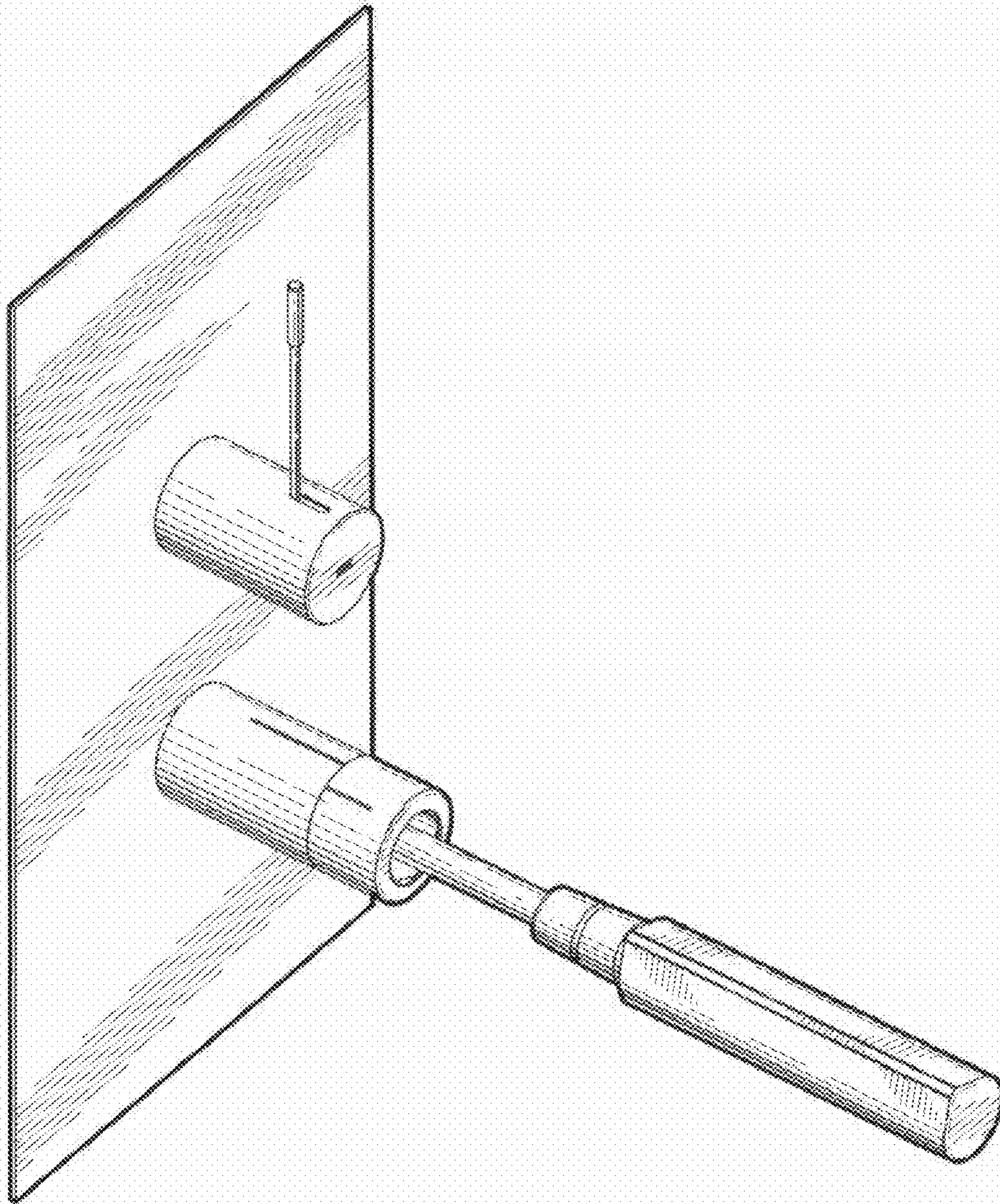


Fig. 11

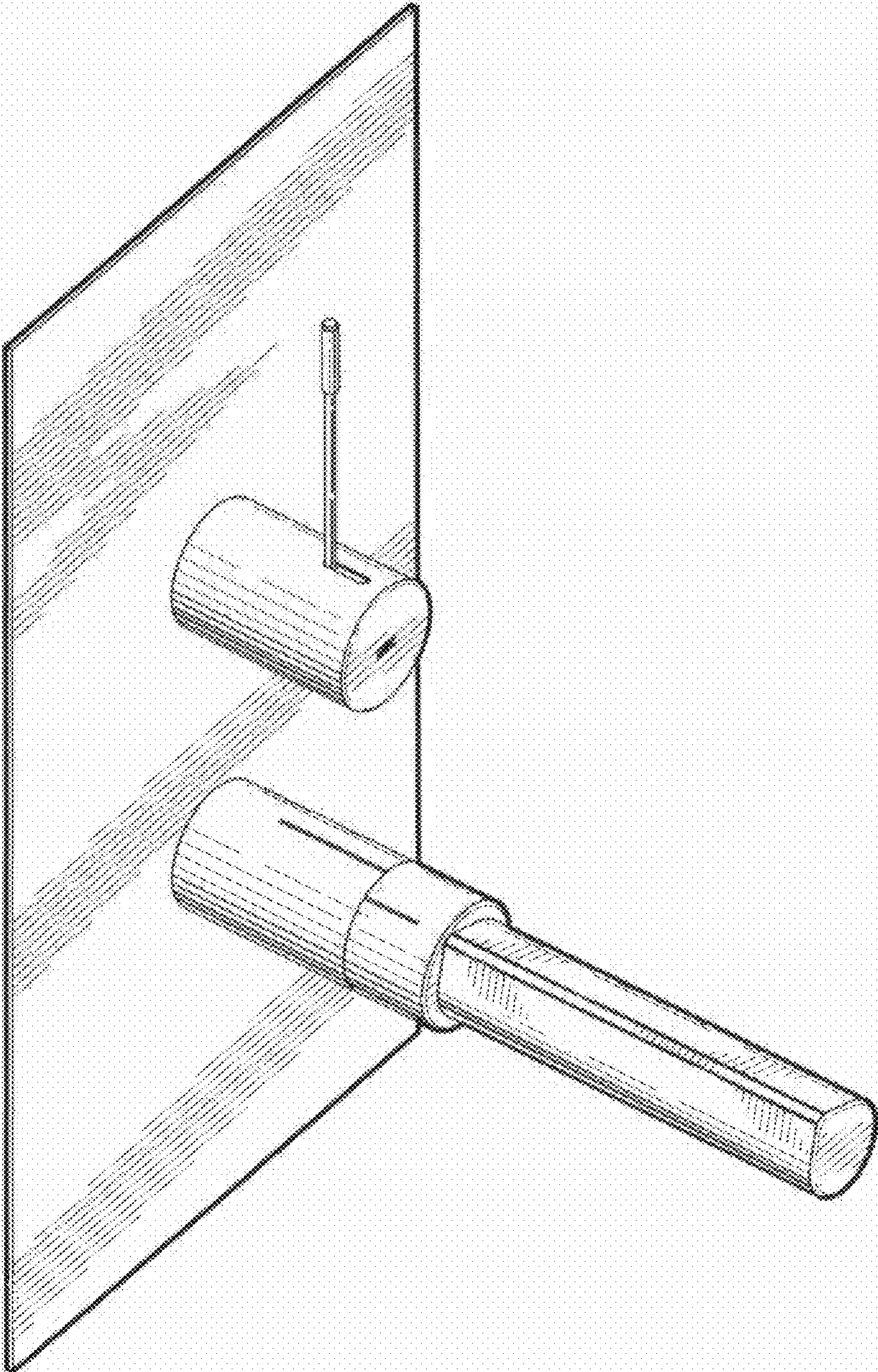


Fig. 12