



US00D593183S

(12) **United States Design Patent**
Mitrani

(10) **Patent No.:** **US D593,183 S**

(45) **Date of Patent:** **** May 26, 2009**

(54) **SHOWER SUPPORT SYSTEM**

(75) Inventor: **Avraham Mitrani**, Woodland Hills, CA
(US)

(73) Assignee: **Mitrani USA Corporation**, Woodland
Hills, CA (US)

(**) Term: **14 Years**

(21) Appl. No.: **29/307,317**

(22) Filed: **Apr. 11, 2008**

(51) **LOC (9) Cl.** **23-01**

(52) **U.S. Cl.** **D23/228; D23/304**

(58) **Field of Classification Search** D23/213,
D23/228-230, 303-305; 4/567, 597, 600,
4/615

See application file for complete search history.

(56) **References Cited**

U.S. PATENT DOCUMENTS

D385,333 S * 10/1997 Caroen et al. D23/228

D475,437 S * 6/2003 Dimitriadis et al. D23/242
6,973,682 B2 * 12/2005 Zhadanov 4/601
7,310,836 B2 * 12/2007 Glunk 4/570
D559,949 S * 1/2008 Bickler et al. D23/228
D561,313 S * 2/2008 Kolin et al. D23/304

* cited by examiner

Primary Examiner—Robin V Webster

(74) *Attorney, Agent, or Firm*—Pillsbury Winthrop Shaw
Pittman LLP

(57) **CLAIM**

The ornamental design for a shower support system, as shown
and described.

DESCRIPTION

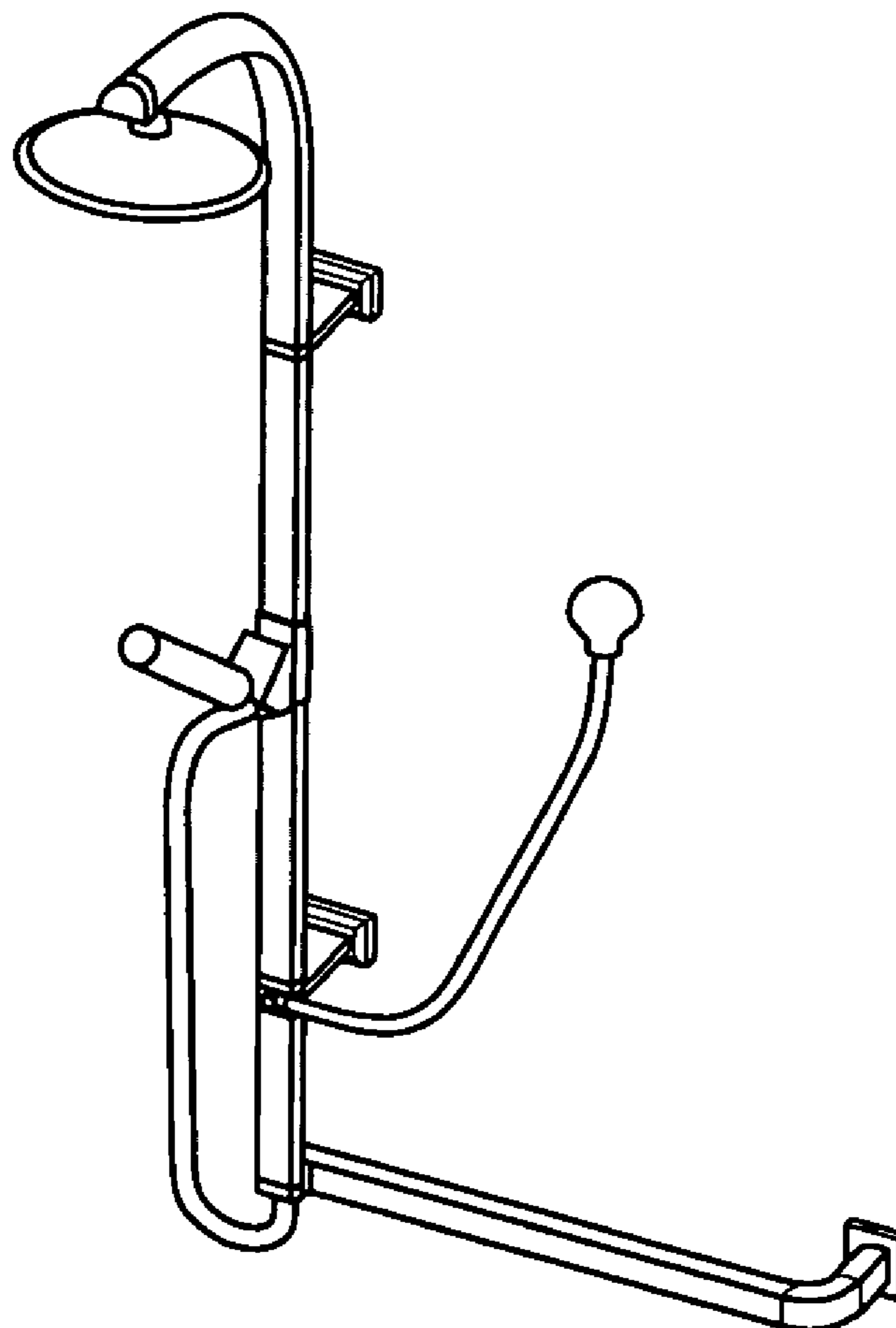
FIG. 1 is a front, right side elevational view of the shower
support system showing the new design;

FIG. 2 is a front view thereof;

FIG. 3 is a left side view thereof; and,

FIG. 4 is a top view thereof.

1 Claim, 1 Drawing Sheet



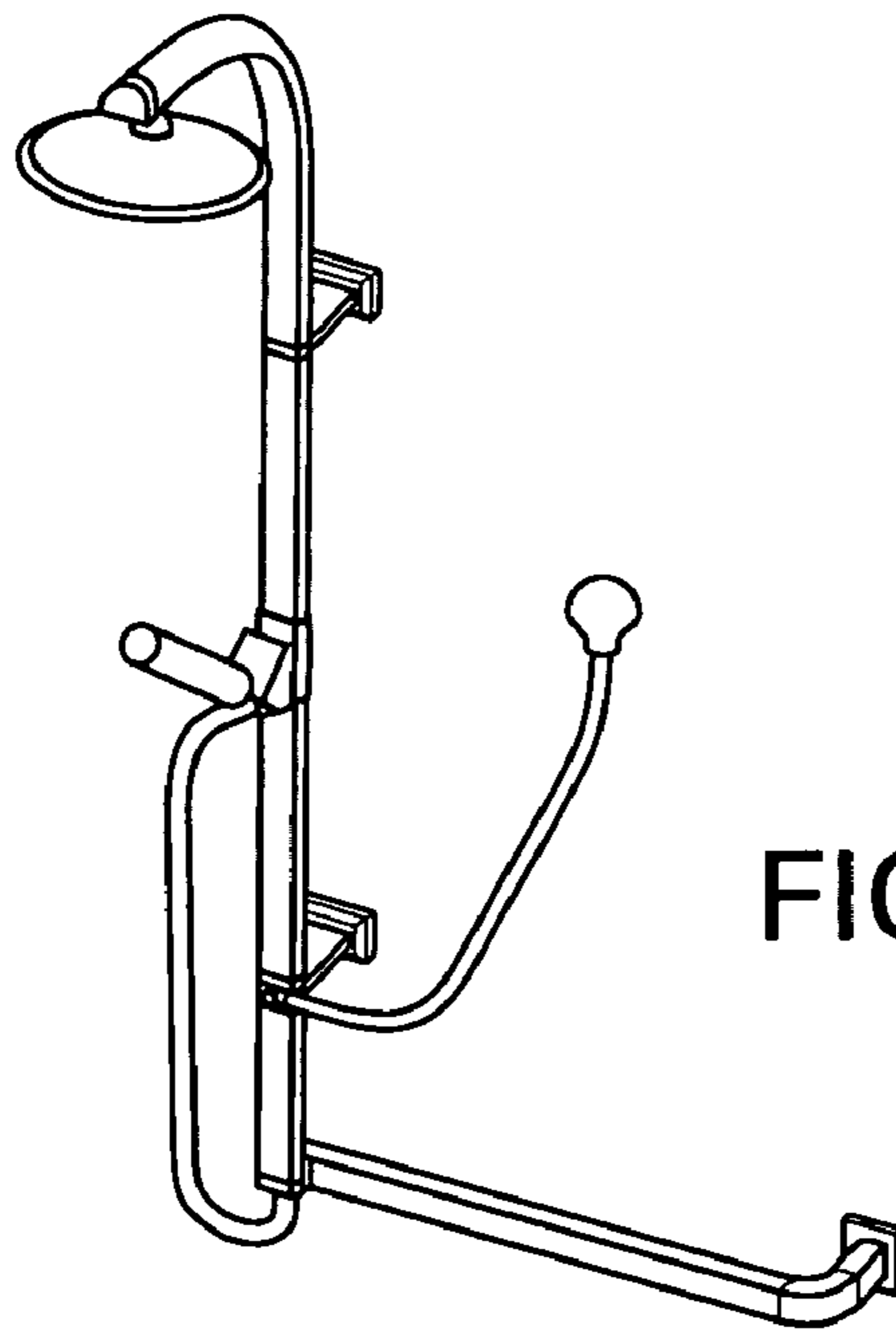


FIG. 1

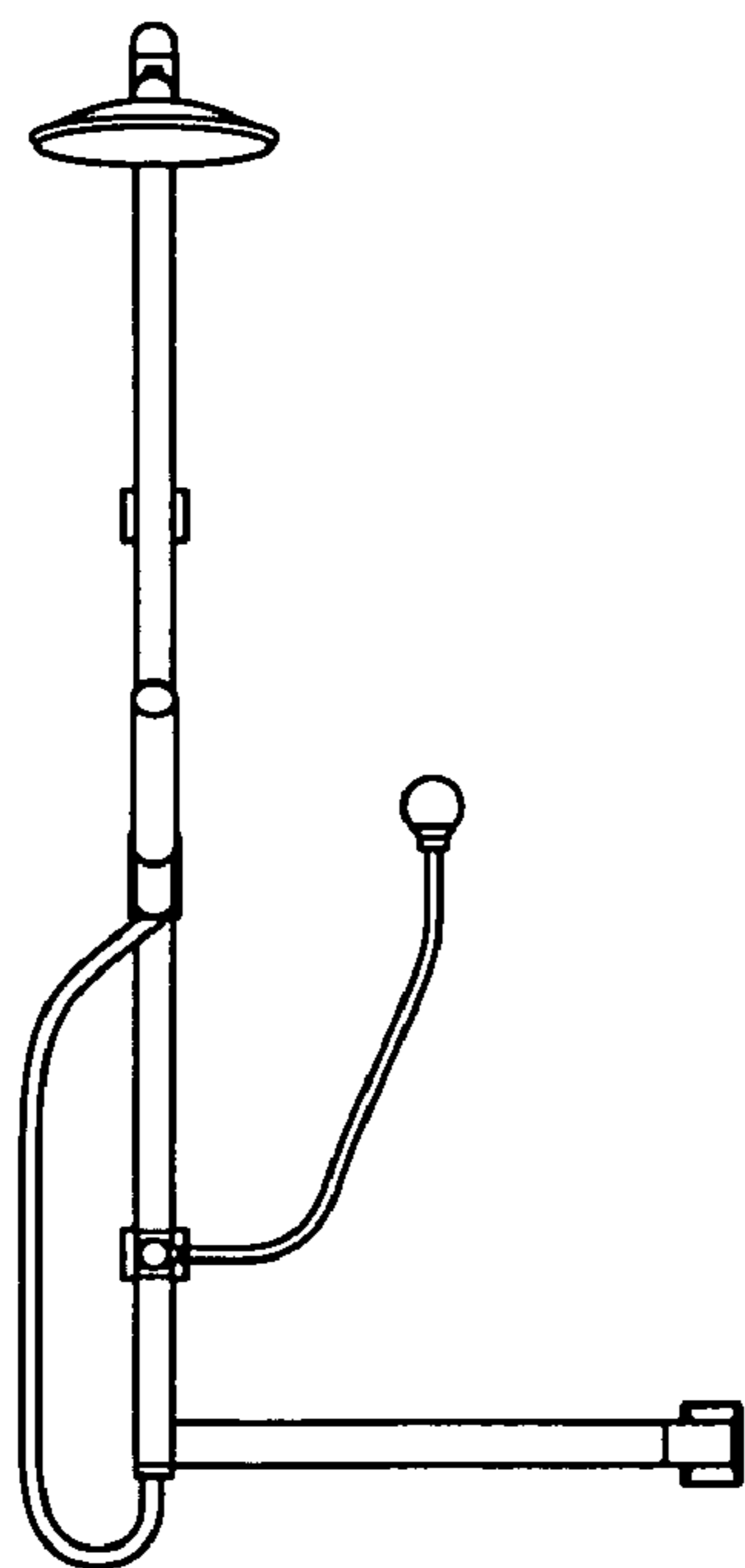


FIG. 2

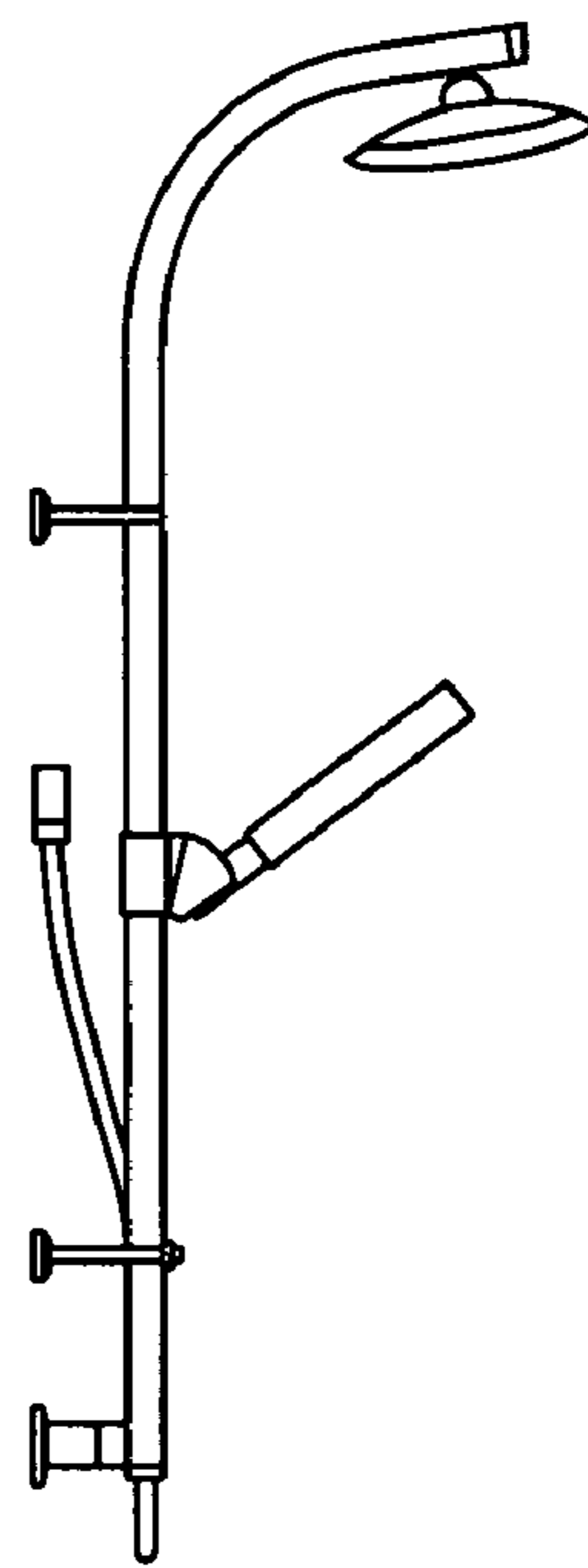


FIG. 3

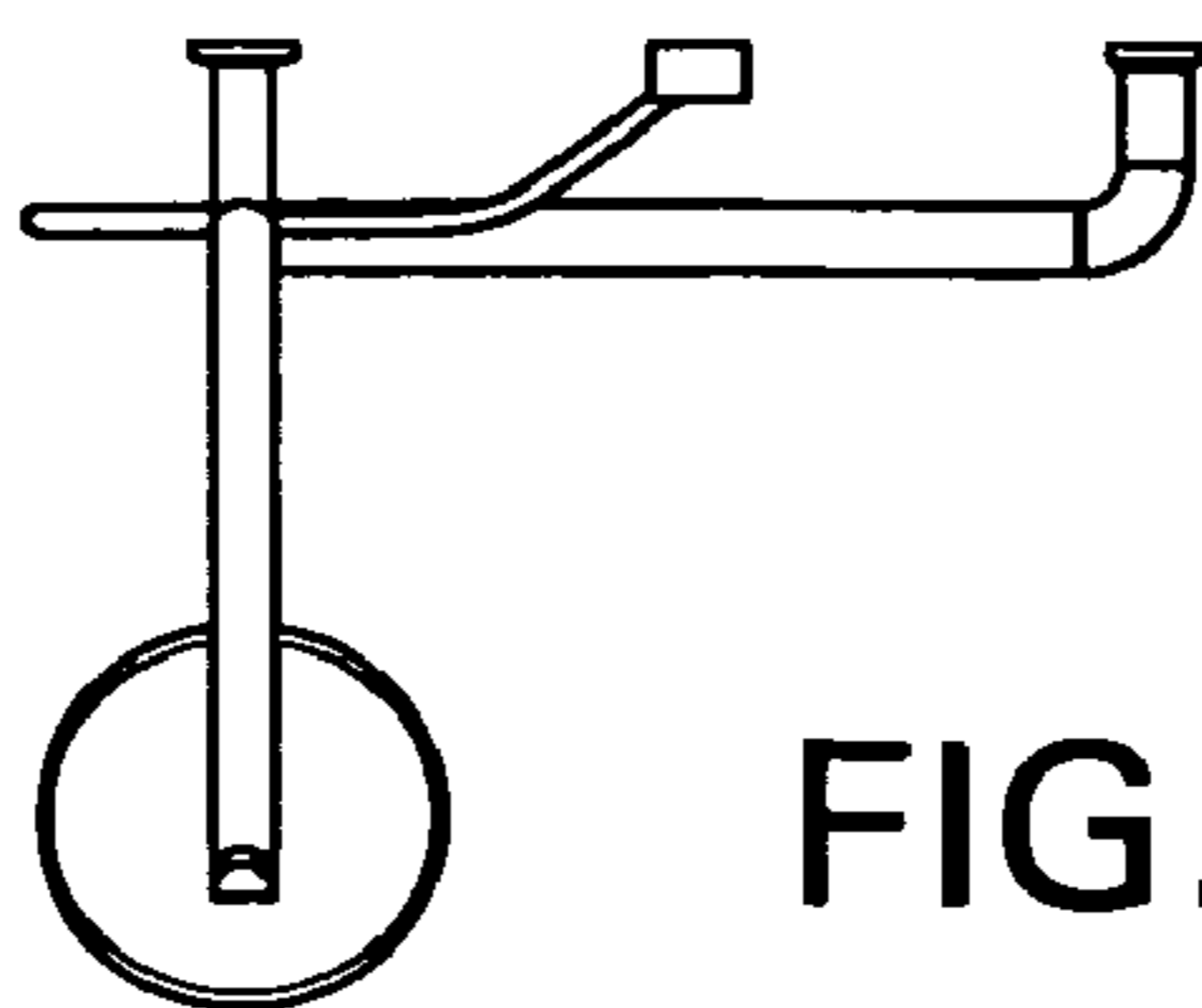


FIG. 4