



US00D593182S

(12) **United States Design Patent**  
**Anuskiewicz**

(10) **Patent No.:** **US D593,182 S**  
(45) **Date of Patent:** **\*\* May 26, 2009**

(54) **TRIPLE ORIFICE SPRINKLER NOZZLE**

D558,300 S \* 12/2007 Rappin ..... D23/213

(75) Inventor: **Ronald H. Anuskiewicz**, San Diego, CA (US)

(73) Assignee: **Hunter Industries, Inc.**, San Marcos, CA (US)

(\*\*) Term: **14 Years**

(21) Appl. No.: **29/322,285**

(22) Filed: **Jul. 31, 2008**

(51) **LOC (9) Cl.** ..... **23-01**

(52) **U.S. Cl.** ..... **D23/213**

(58) **Field of Classification Search** ..... D23/213,  
D23/214, 223; 239/200–204, 600  
See application file for complete search history.

(56) **References Cited**

**U.S. PATENT DOCUMENTS**

6,264,117	B1 *	7/2001	Roman	.....	239/203
6,502,763	B1 *	1/2003	McCann	.....	239/119
6,871,795	B2	3/2005	Anuskiewicz	.....	239/74
6,955,304	B2 *	10/2005	Beach et al.	.....	239/1
6,957,782	B2 *	10/2005	Clark et al.	.....	239/200
7,191,958	B1 *	3/2007	Wang	.....	239/200
7,226,003	B2	6/2007	Kah, Jr. et al.	.....	239/569
D557,376	S *	12/2007	Zerrer et al.	.....	D23/213

**OTHER PUBLICATIONS**

PGP Sprinkler Nozzles, Hunter Industries, Inc., 2004-2005 Catalog, p. 10.

Prosport Sprinkler, K-Rain 2007 Product Guide, p. 18.

\* cited by examiner

*Primary Examiner*—Robin V Webster

(74) *Attorney, Agent, or Firm*—Michael H. Jester

(57) **CLAIM**

The ornamental design for a triple orifice sprinkler nozzle, as shown and described.

**DESCRIPTION**

FIG. 1 is a perspective view of a triple orifice sprinkler nozzle embodying the present invention.

FIG. 2 is a front elevation view of the nozzle of FIG. 1.

FIG. 3 is a rear elevation view of the nozzle of FIG. 1.

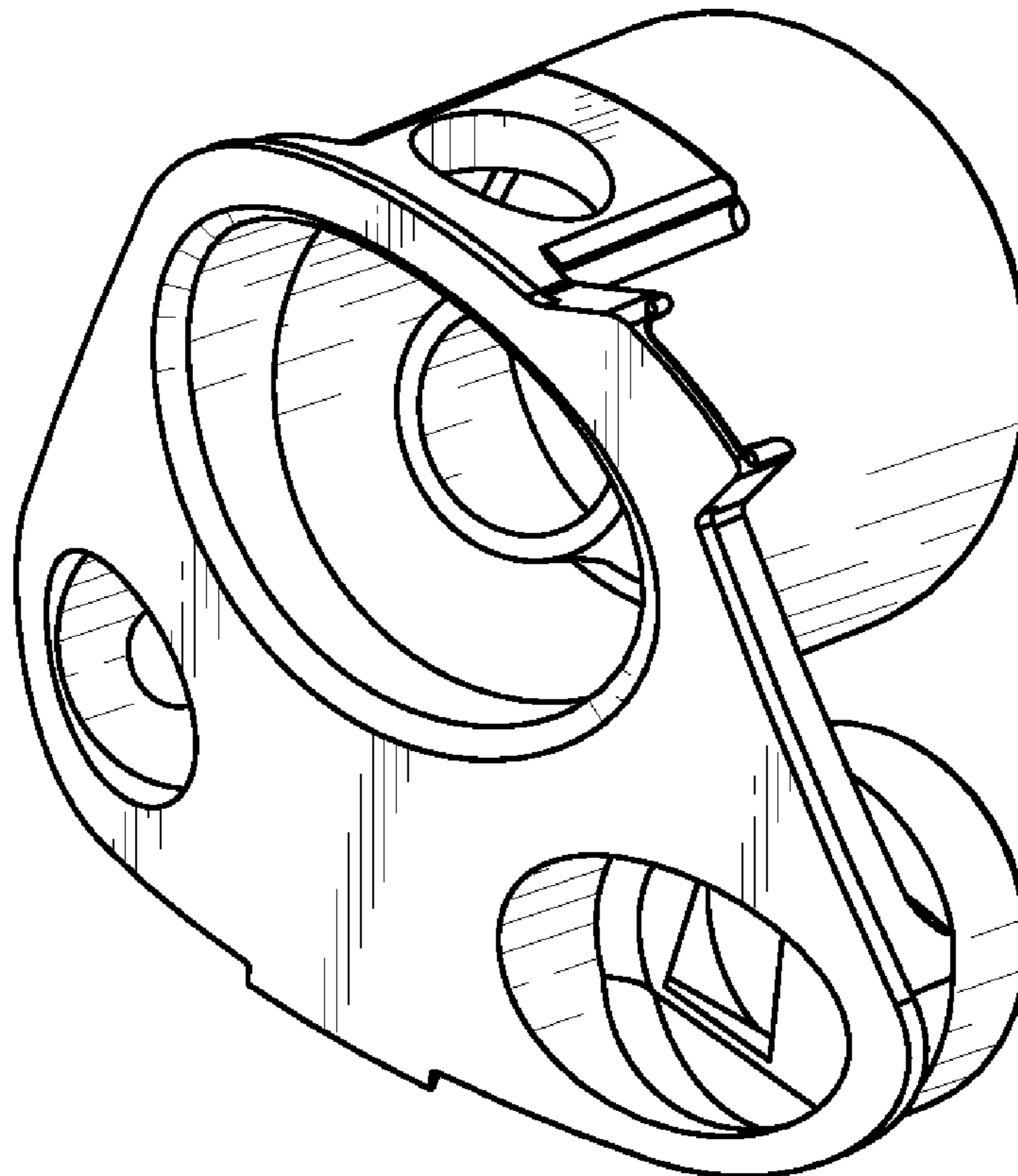
FIG. 4 is a bottom plan view of the nozzle of FIG. 1.

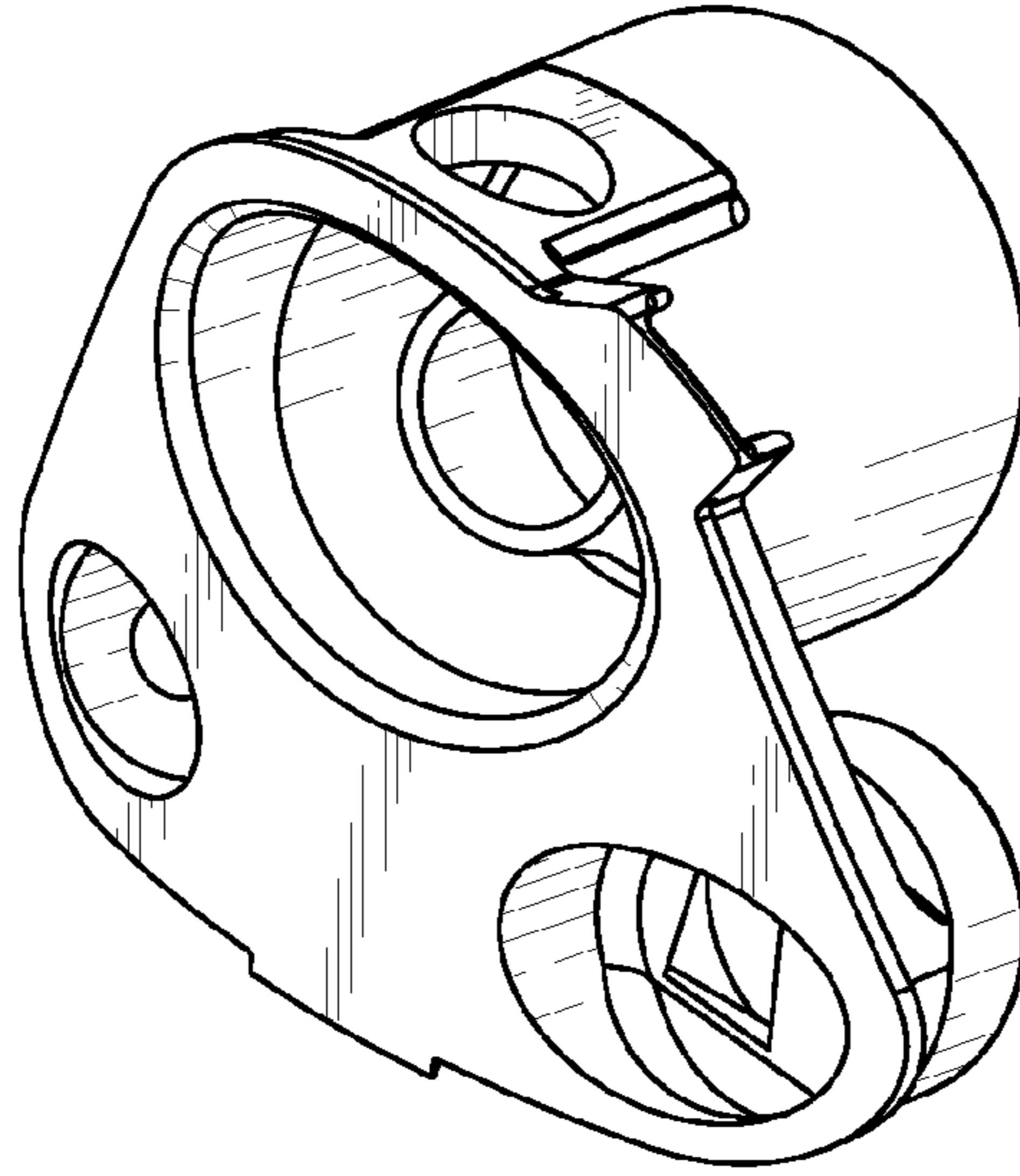
FIG. 5 is a top plan view of the nozzle of FIG. 1.

FIG. 6 is a right side elevation view of the nozzle of FIG. 1; and,

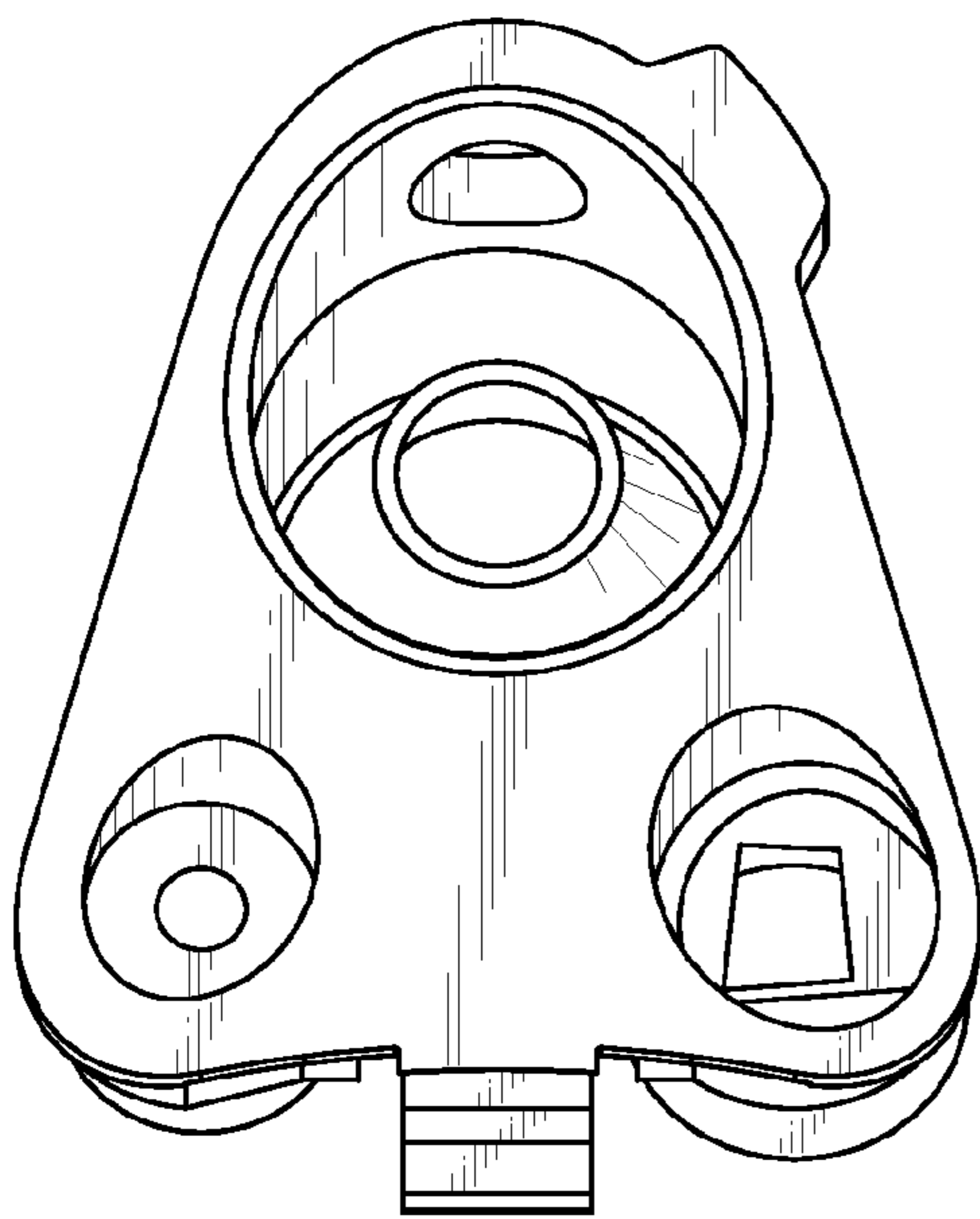
FIG. 7 is a left side elevation view of the nozzle of FIG. 1.

**1 Claim, 2 Drawing Sheets**

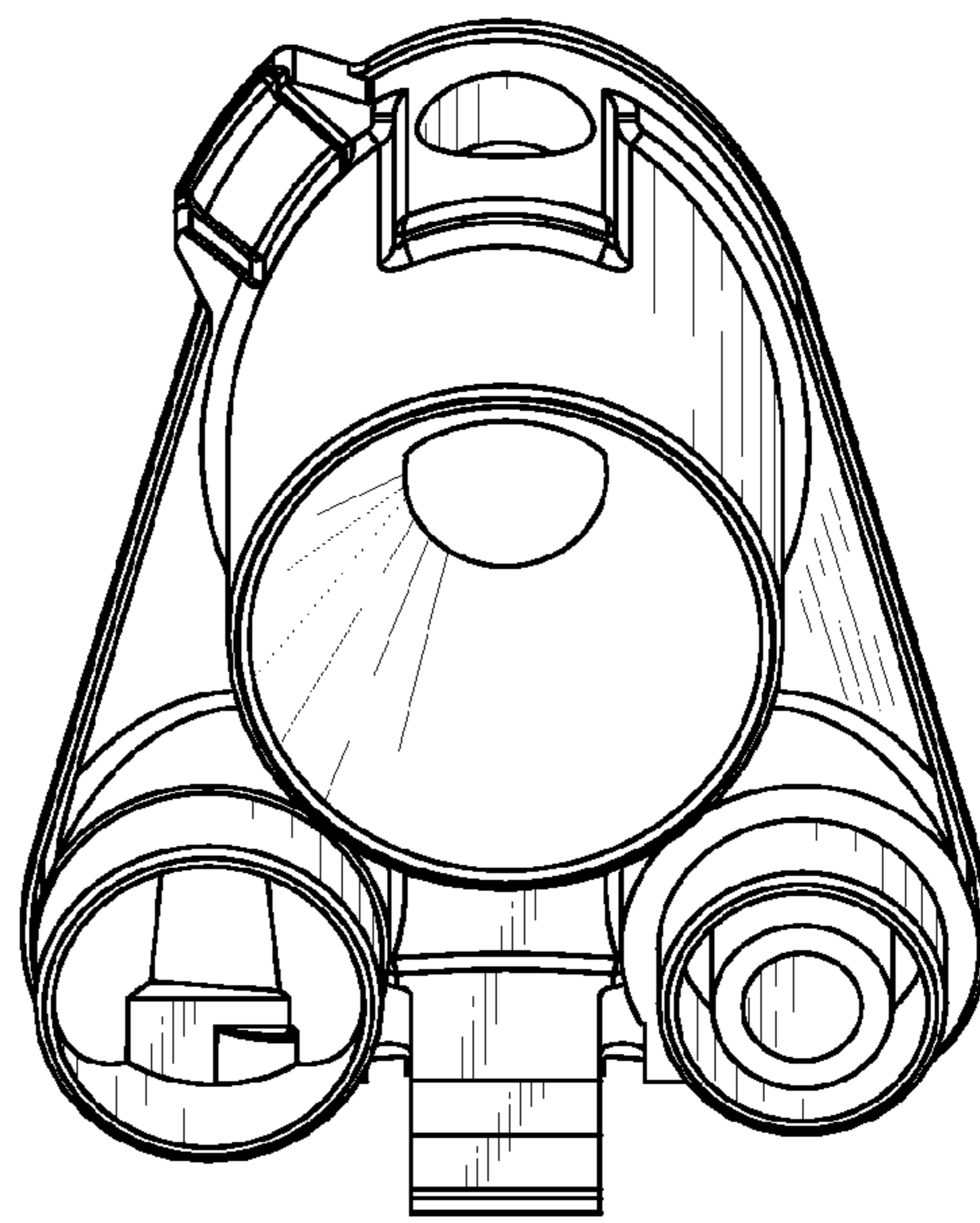




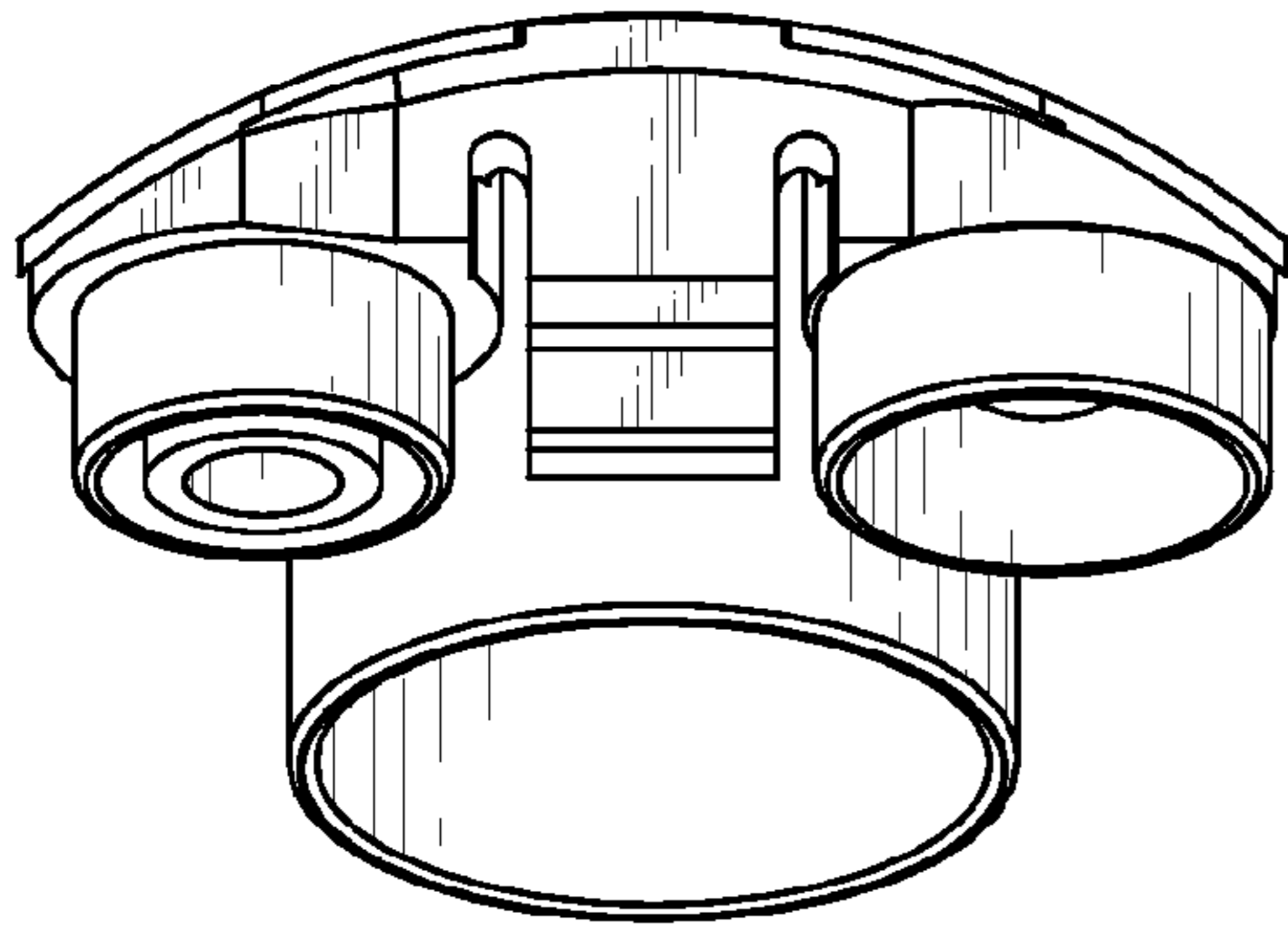
**FIG. 1**



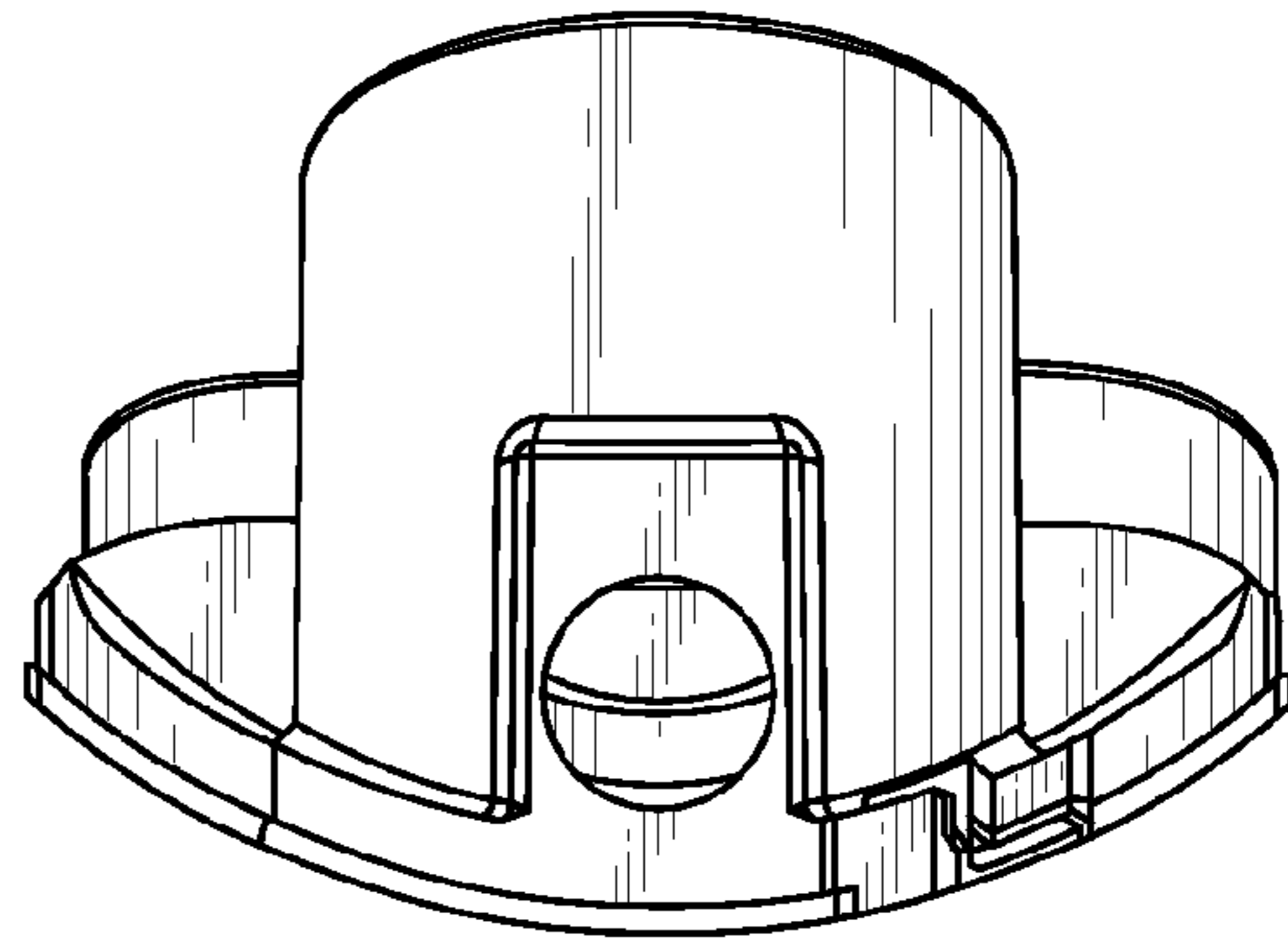
**FIG. 2**



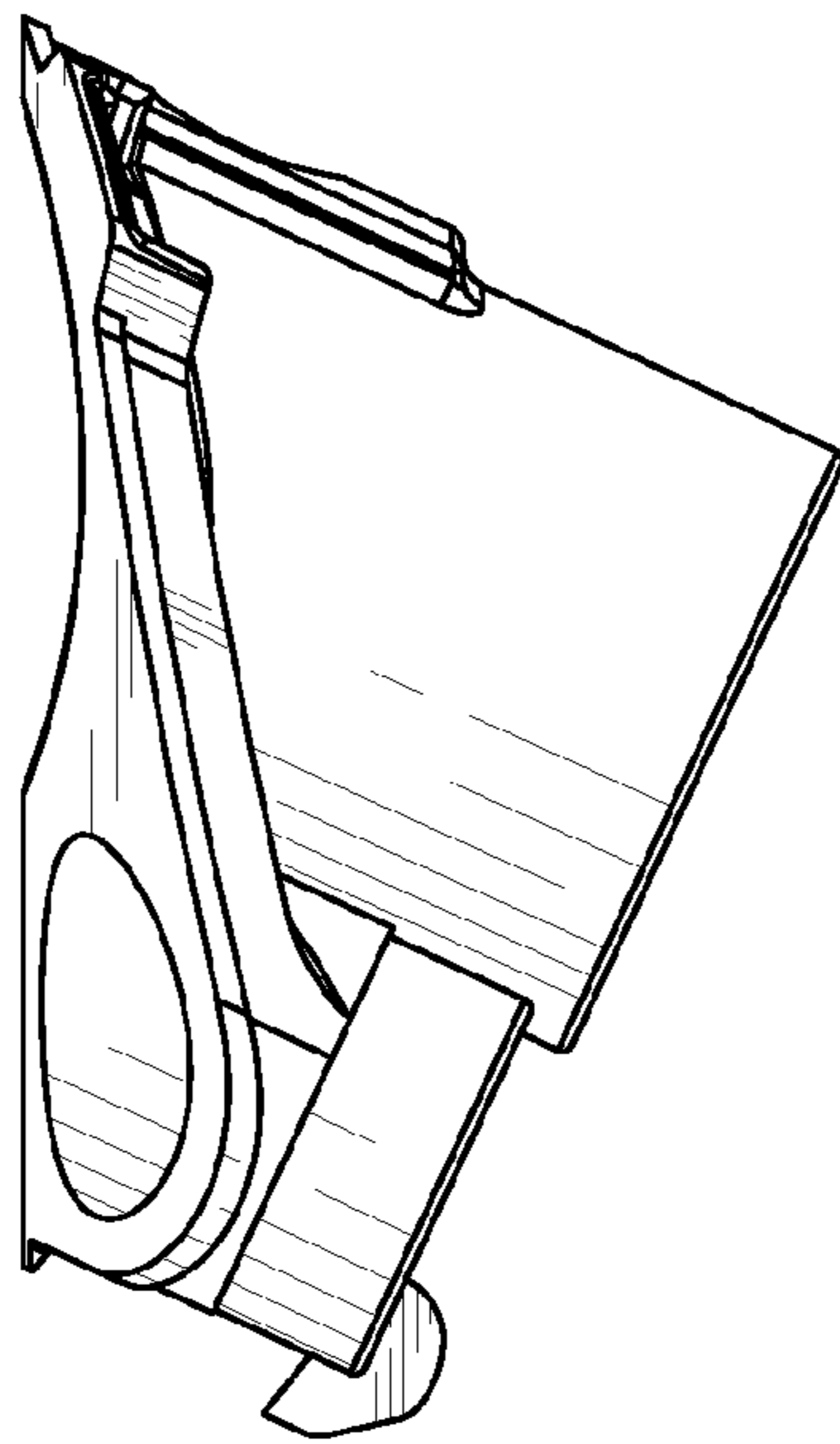
**FIG. 3**



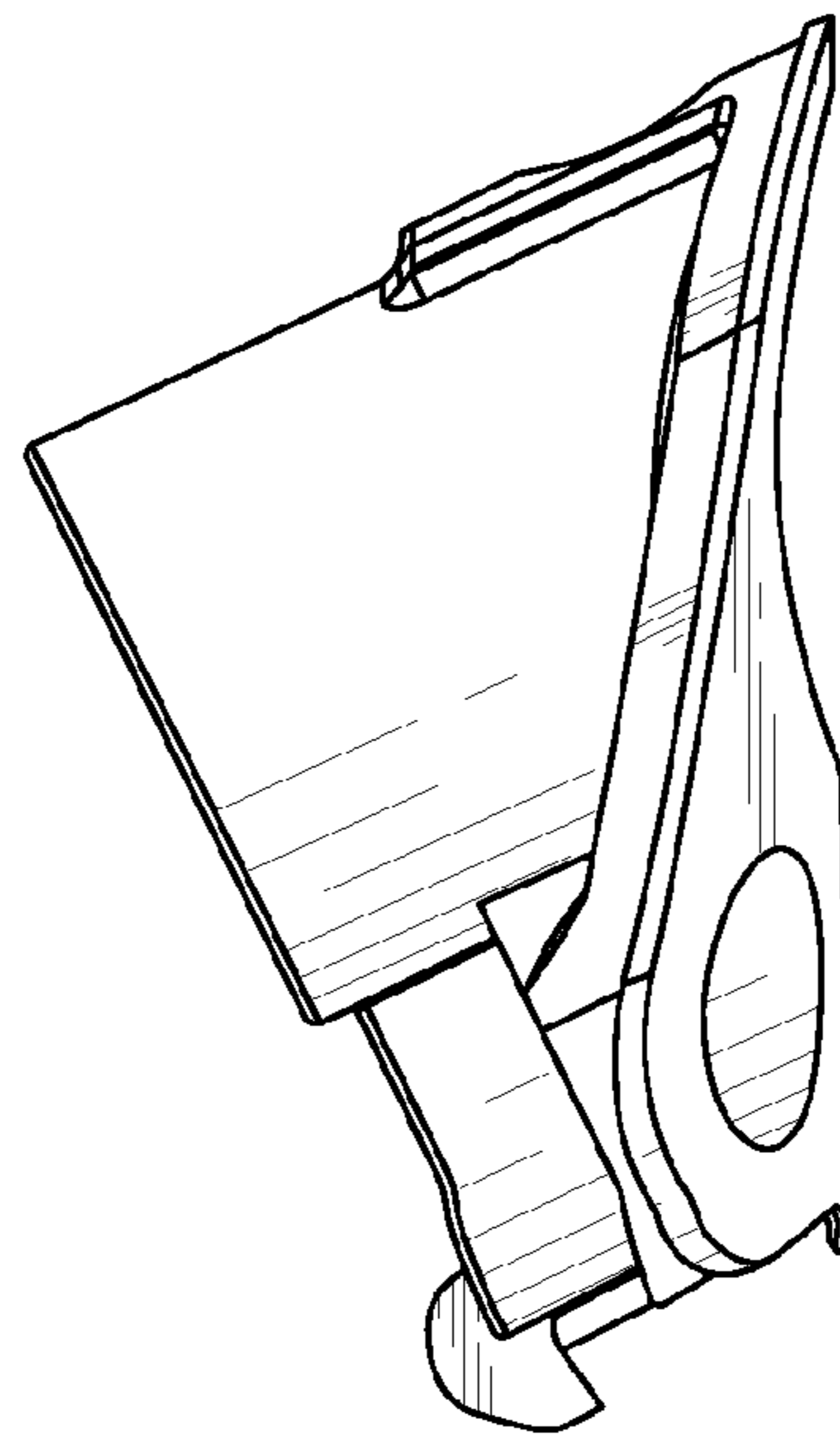
**FIG. 4**



**FIG. 5**



**FIG. 6**



**FIG. 7**