



US00D593181S

(12) **United States Design Patent**
Barnard

(10) **Patent No.:** **US D593,181 S**

(45) **Date of Patent:** **** May 26, 2009**

(54) **BOW STRING VIBRATION SUPPRESSOR**

(76) Inventor: **Anthony Kirk Barnard**, 51 Oxbow
Creek La., Laguna Hills, CA (US) 92653

(**) Term: **14 Years**

(21) Appl. No.: **29/307,007**

(22) Filed: **Mar. 26, 2008**

(51) **LOC (9) Cl.** **22-01**

(52) **U.S. Cl.** **D22/107**

(58) **Field of Classification Search** D22/107;
124/89, 86, 87, 88; D10/96; D21/573, 753,
D21/789, 791; 473/300; D8/401, 402; D18/35
See application file for complete search history.

(56) **References Cited**

U.S. PATENT DOCUMENTS

4,061,125	A	12/1977	Trotter	124/24	R
4,245,612	A *	1/1981	Finlay	124/89	
D262,738	S *	1/1982	Sugawara et al.	D24/134	
4,461,267	A	7/1984	Simonds et al.	124/23	R
4,570,608	A *	2/1986	Masterfield	124/89	
4,957,095	A *	9/1990	Cameron	124/89	
5,460,156	A *	10/1995	Sappington	124/89	
D389,551	S *	1/1998	Fitzgerald, Jr.	D22/107	
5,720,269	A	2/1998	Saunders	124/86	
D406,300	S *	3/1999	Fitzgerald, Jr.	D22/107	
D406,301	S *	3/1999	Fitzgerald, Jr.	D22/107	
D410,272	S *	5/1999	Fitzgerald, Jr.	D22/107	
D442,251	S *	5/2001	Fitzgerald, Jr.	D22/107	
D442,665	S *	5/2001	Caudle et al.	D22/107	
D446,278	S *	8/2001	Fitzgerald, Jr.	D22/107	
6,494,196	B2 *	12/2002	Harwath et al.	124/89	
D469,839	S *	2/2003	Gibbs	D22/107	
6,675,793	B1	1/2004	Saunders	124/89	
6,684,874	B2	2/2004	Mizek et al.	124/89	
D487,395	S *	3/2004	Wockenfuss	D8/402	
D498,806	S *	11/2004	Sims	D21/753	
D499,159	S *	11/2004	Sims	D21/753	

D504,479	S *	4/2005	Sims	D21/753	
6,966,314	B2	11/2005	McPherson	124/89	
7,213,590	B2	5/2007	Pellerite	124/89	
D561,292	S *	2/2008	Butcher	D22/107	
D586,650	S *	2/2009	Zhang	D8/402	
2002/0078939	A1 *	6/2002	Andrews et al.	124/10	
2006/0278207	A1	12/2006	Goade	124/89	
2007/0079821	A1 *	4/2007	Walk et al.	124/86	
2008/0236559	A1 *	10/2008	Barnard	124/89	

* cited by examiner

Primary Examiner—T. Chase Nelson

Assistant Examiner—Michael A Pratt

(74) *Attorney, Agent, or Firm*—Russo & Duckworth, LLP

(57) **CLAIM**

The ornamental design for the bow string vibration suppressor, as shown and described.

DESCRIPTION

FIG. 1 is a perspective view of the bow string vibration suppressor attached to a bow.

FIG. 2 is a perspective view illustrating the bow string vibration suppressor of the present invention in a retracted condition;

FIG. 3 is a perspective view of the bow string vibration suppressor of the present invention in an extended condition;

FIG. 4 is a bottom plan view thereof;

FIG. 5 is a top plan view thereof;

FIG. 6 is a left elevation view thereof;

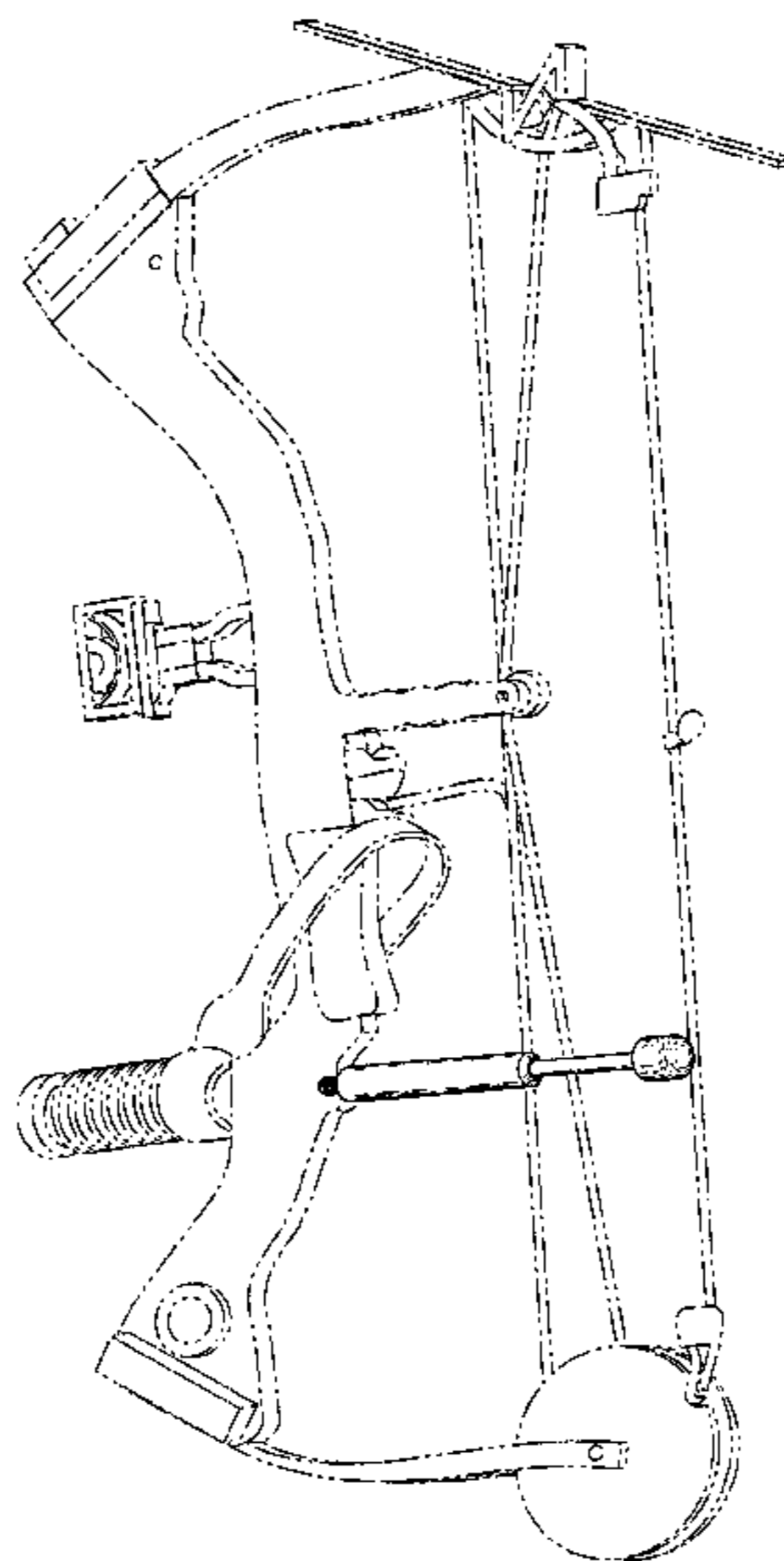
FIG. 7 is a right elevation view thereof;

FIG. 8 is a front elevation view thereof; and,

FIG. 9 is a rear elevation view thereof.

The bow shown in dashed lines forms no part of my claimed design.

1 Claim, 3 Drawing Sheets



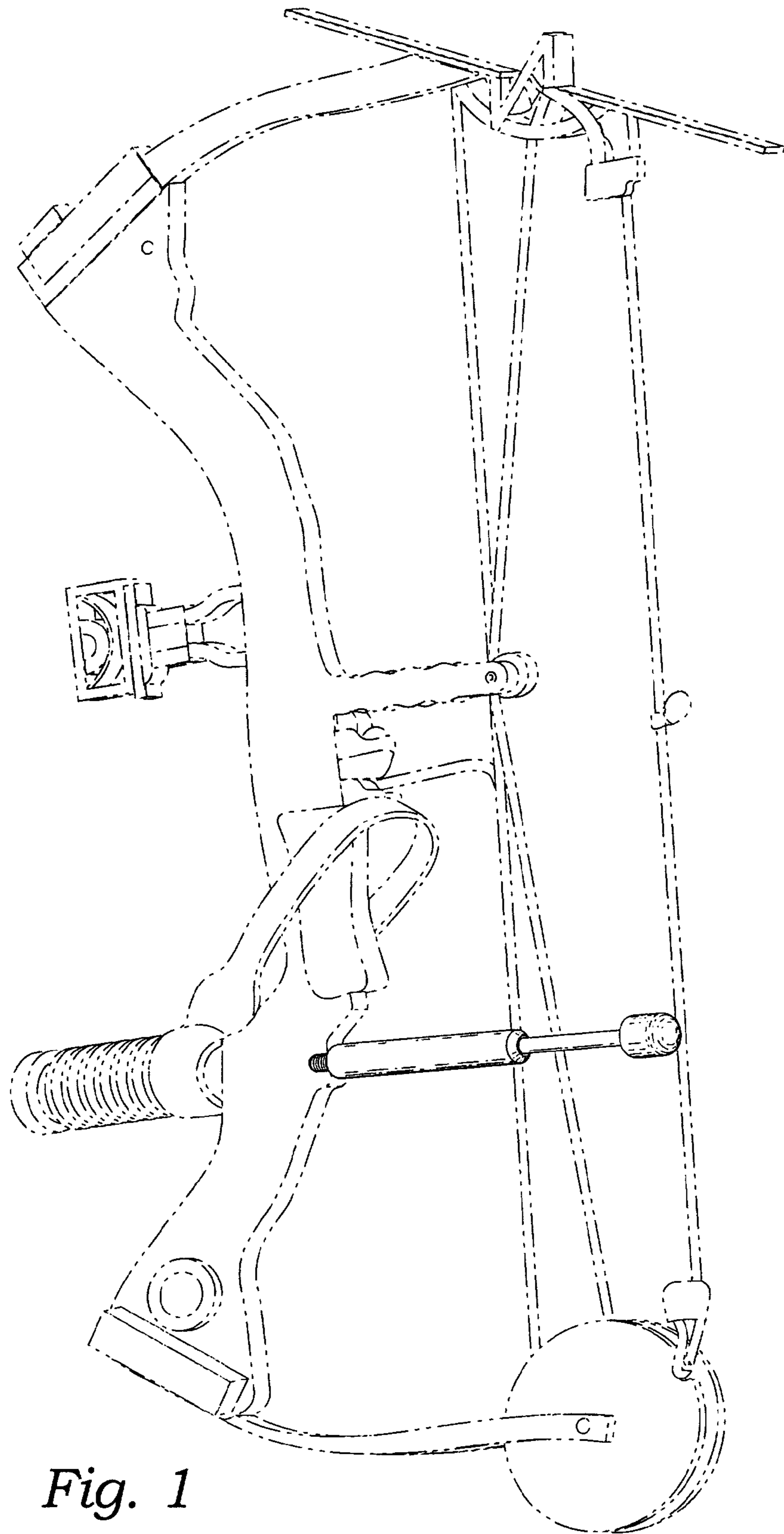


Fig. 1

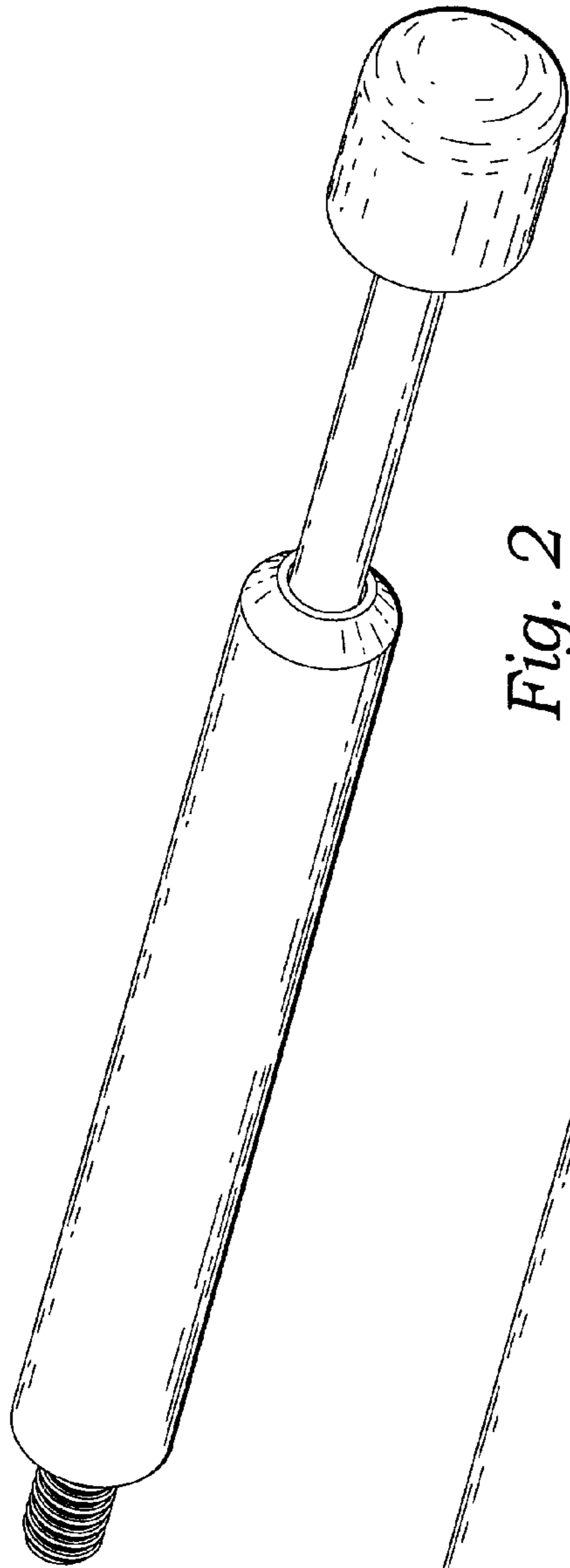


Fig. 2

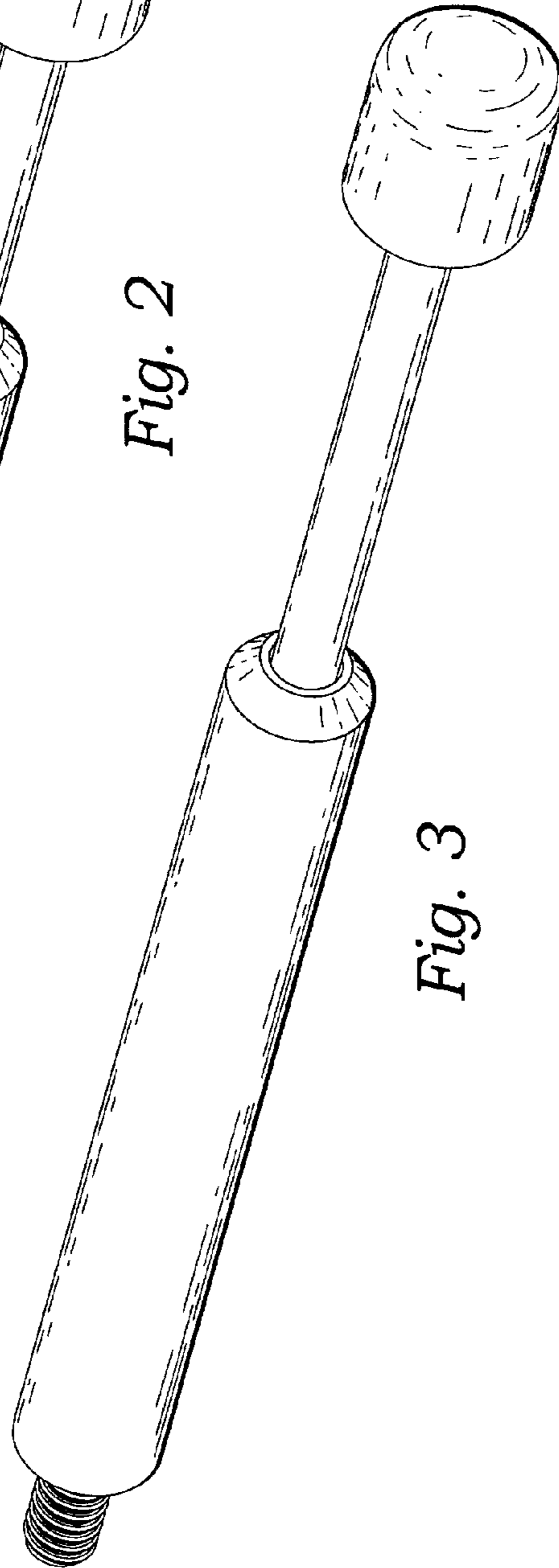


Fig. 3

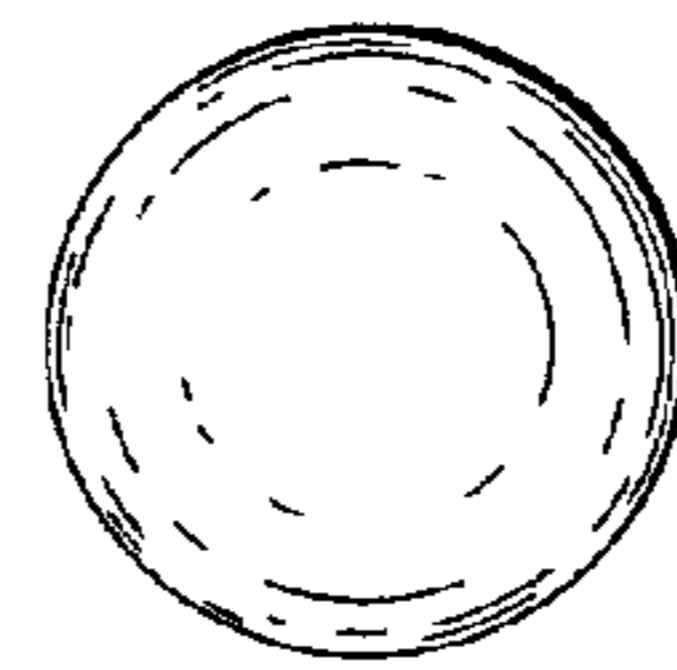


Fig. 5

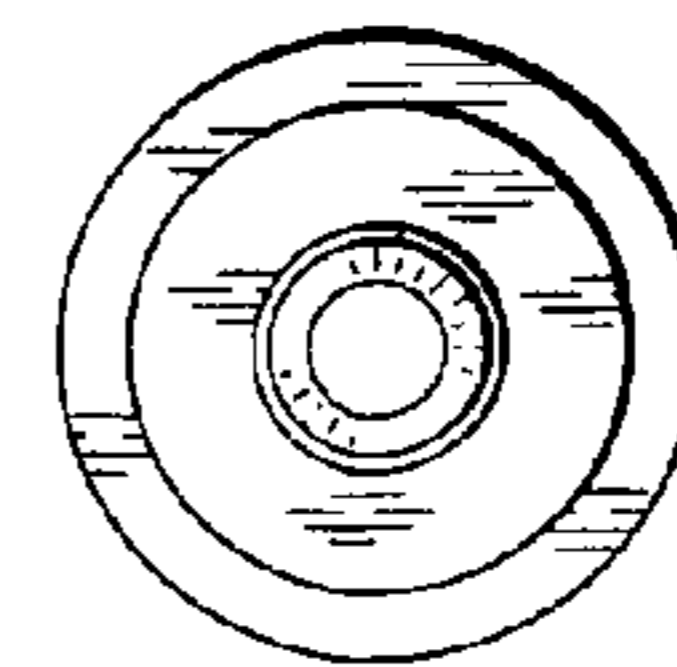


Fig. 4

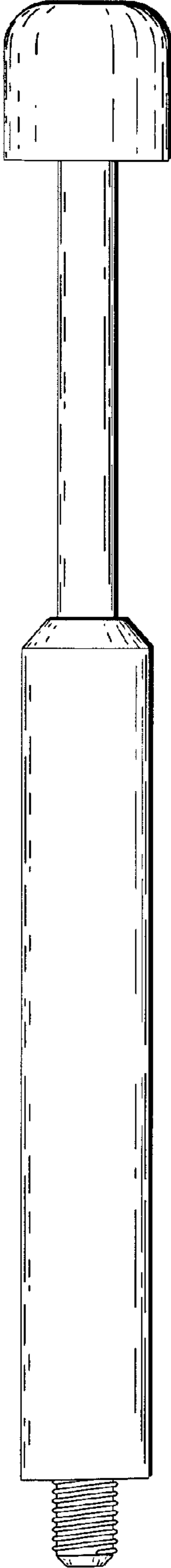


Fig. 6

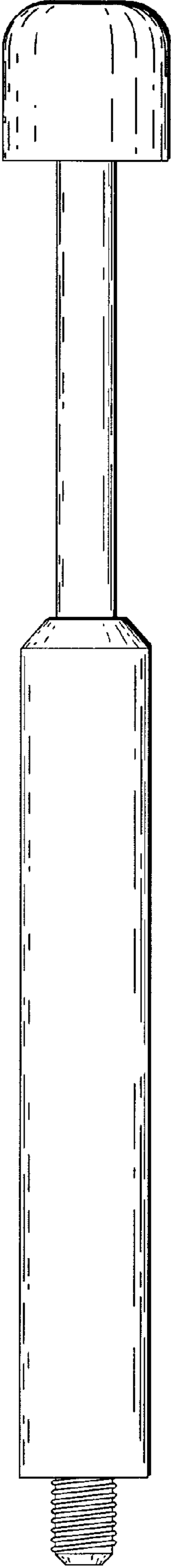


Fig. 7

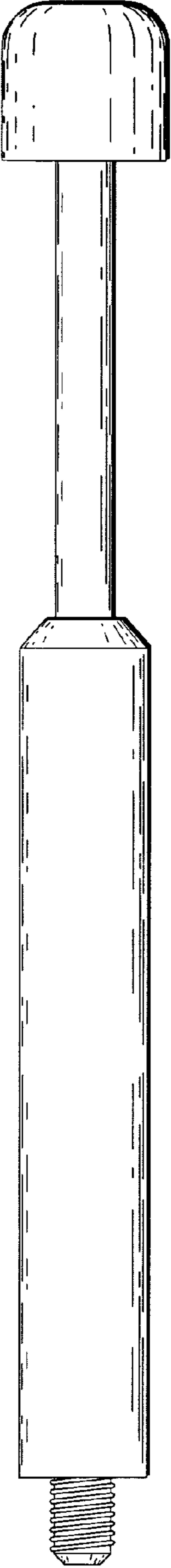


Fig. 8

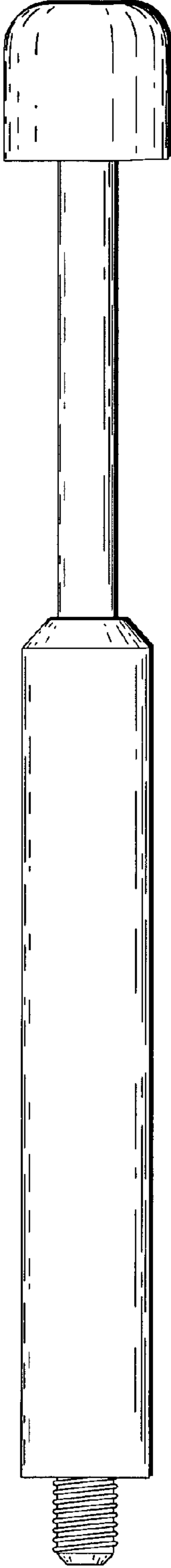


Fig. 9