



US00D593179S

(12) **United States Design Patent**  
**Kearl et al.**

(10) **Patent No.:** **US D593,179 S**

(45) **Date of Patent:** **\*\* May 26, 2009**

(54) **PLAYGROUND EQUIPMENT**

D481,779 S \* 11/2003 Van Deusen ..... D21/827

(75) Inventors: **Jacob Kearl**, Plain City, UT (US);  
**Stephen F. Nye**, Syracuse, UT (US)

(73) Assignee: **Lifetime Products, Inc.**, Clearfield, UT (US)

(\*\*) Term: **14 Years**

(21) Appl. No.: **29/318,955**

(22) Filed: **May 31, 2008**

(51) **LOC (9) Cl.** ..... **21-03**

(52) **U.S. Cl.** ..... **D21/827**

(58) **Field of Classification Search** ..... D21/811,  
D21/814, 818-827; 482/35, 36; 472/116,  
472/117

See application file for complete search history.

(56) **References Cited**

**U.S. PATENT DOCUMENTS**

1,466,031	A	*	8/1923	Rippin	.....	297/181
D165,593	S	*	1/1952	Low	.....	D21/825
D191,749	S	*	11/1961	Haubert	.....	D21/827
D200,478	S	*	3/1965	Hqubert	.....	D21/820
D212,193	S	*	9/1968	Rudy	.....	D21/827
D223,674	S	*	5/1972	Johnson	.....	D21/827
D225,072	S	*	11/1972	Henning et al.	.....	D21/827
D236,276	S	*	8/1975	Rudy	.....	D21/827
D257,875	S	*	1/1981	Rudy	.....	D21/827
D281,893	S	*	12/1985	Addleman	.....	D21/827
D479,569	S	*	9/2003	Van Deusen	.....	D21/827
D481,094	S	*	10/2003	Van Deusen	.....	D21/820
D481,095	S	*	10/2003	Van Deusen	.....	D21/827

**OTHER PUBLICATIONS**

U.S. Appl. No. 12/129,107, filed May 29, 2008, Nye.  
U.S. Appl. No. 29/318,956, filed May 31, 2008, Kearl.  
U.S. Appl. No. 29/318,957, filed May 31, 2008, Kearl.  
U.S. Appl. No. 29/318,958, filed May 31, 2008, Kearl.

\* cited by examiner

*Primary Examiner*—Stella M Reid

*Assistant Examiner*—Mark A Goodwin

(74) *Attorney, Agent, or Firm*—Workman Nydegger

(57) **CLAIM**

The ornamental design for playground equipment, as shown and described.

**DESCRIPTION**

FIG. 1 is a top perspective view of playground equipment showing our new design;

FIG. 2 is a right side view of the playground equipment shown in FIG. 1, with the left side view being a mirror image thereof;

FIG. 3 is a top view of the playground equipment shown in FIG. 1;

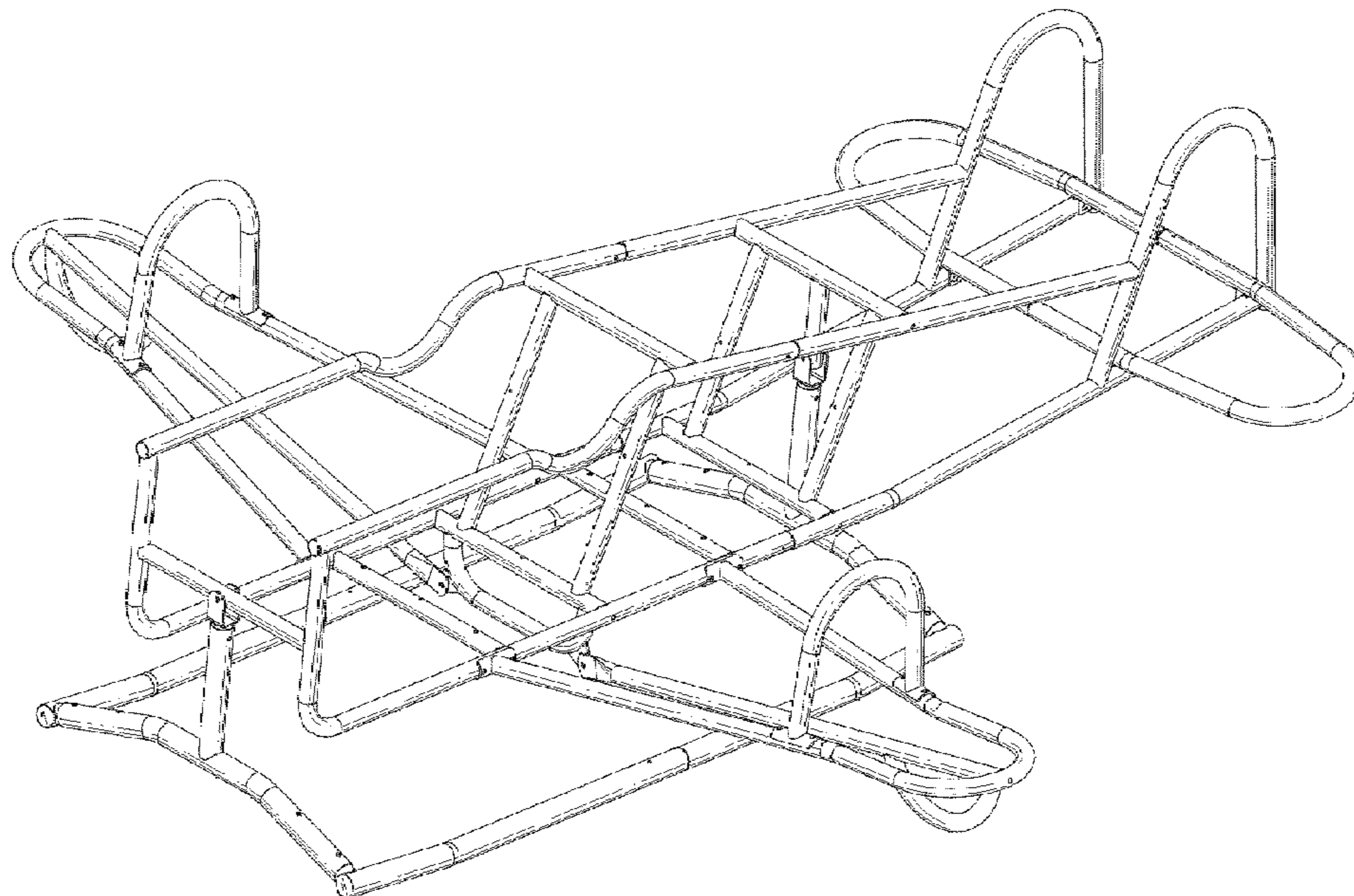
FIG. 4 is a rear view of the playground equipment shown in FIG. 1;

FIG. 5 is a front view of the playground equipment shown in FIG. 1; and,

FIG. 6 is a bottom view of the playground equipment shown in FIG. 1.

The broken lines shown in the figures are for illustrative purposes only and form no part of the claimed design.

**1 Claim, 3 Drawing Sheets**



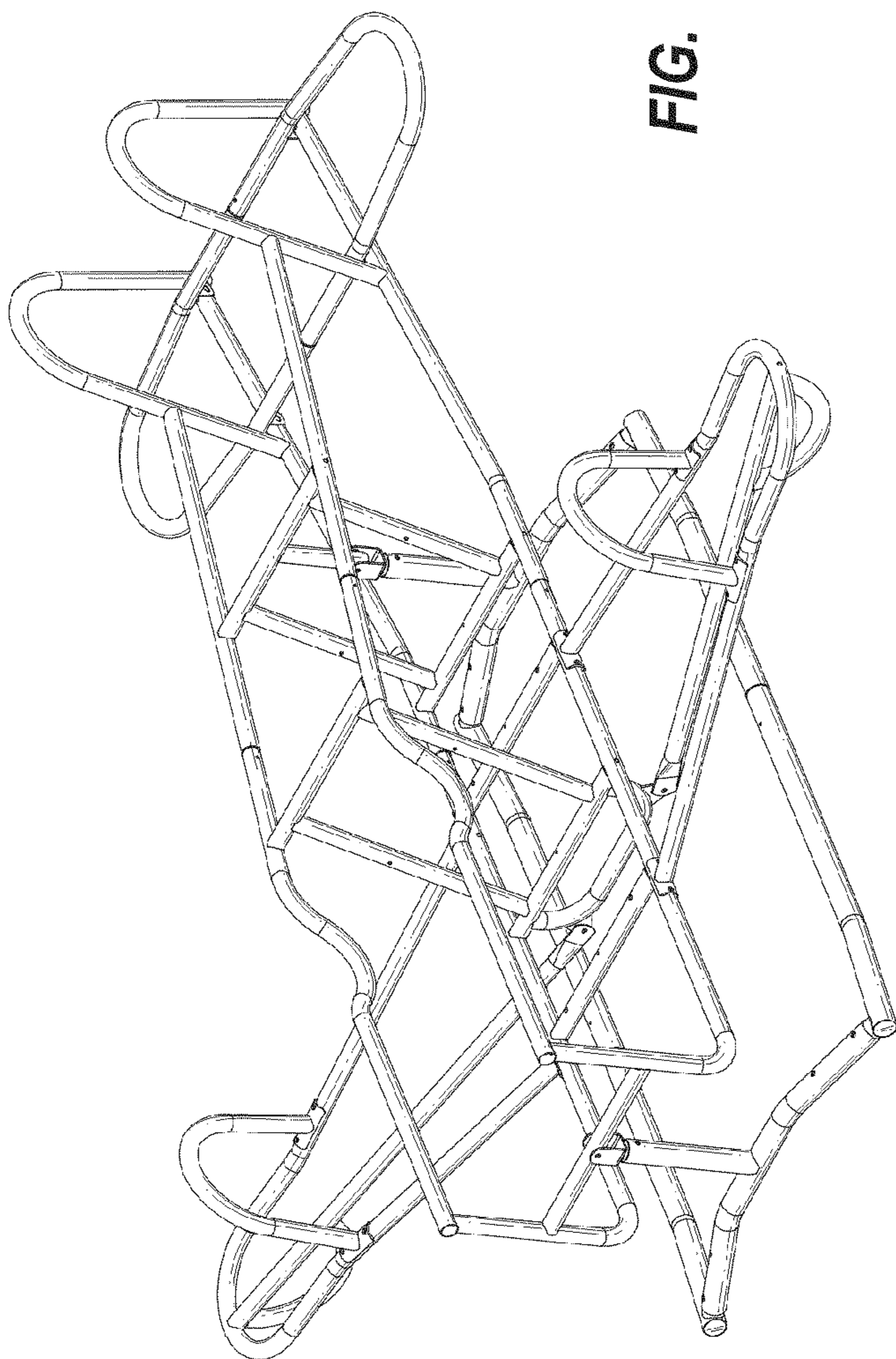


FIG. 1

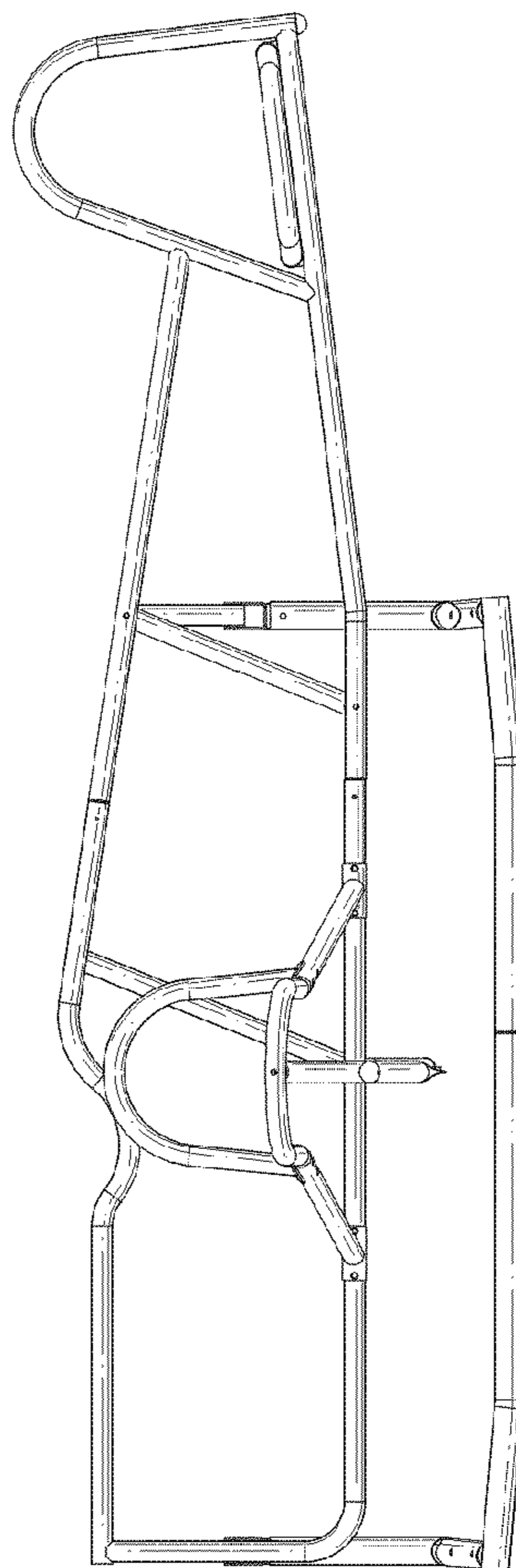


FIG. 2



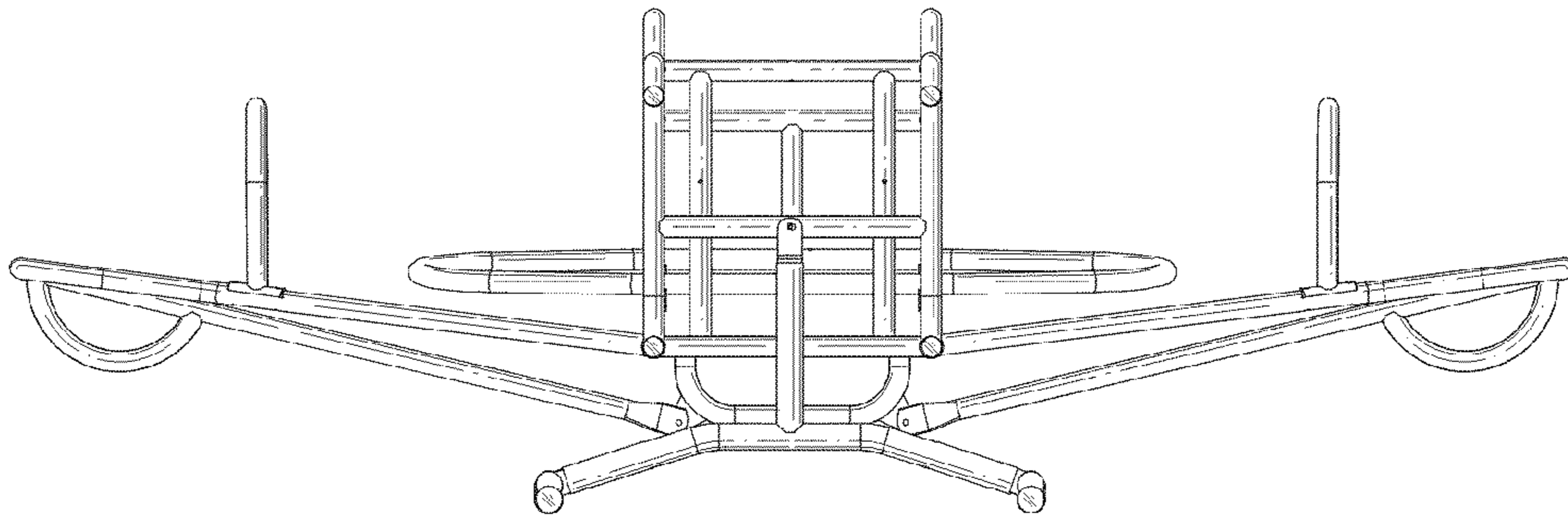


FIG. 5

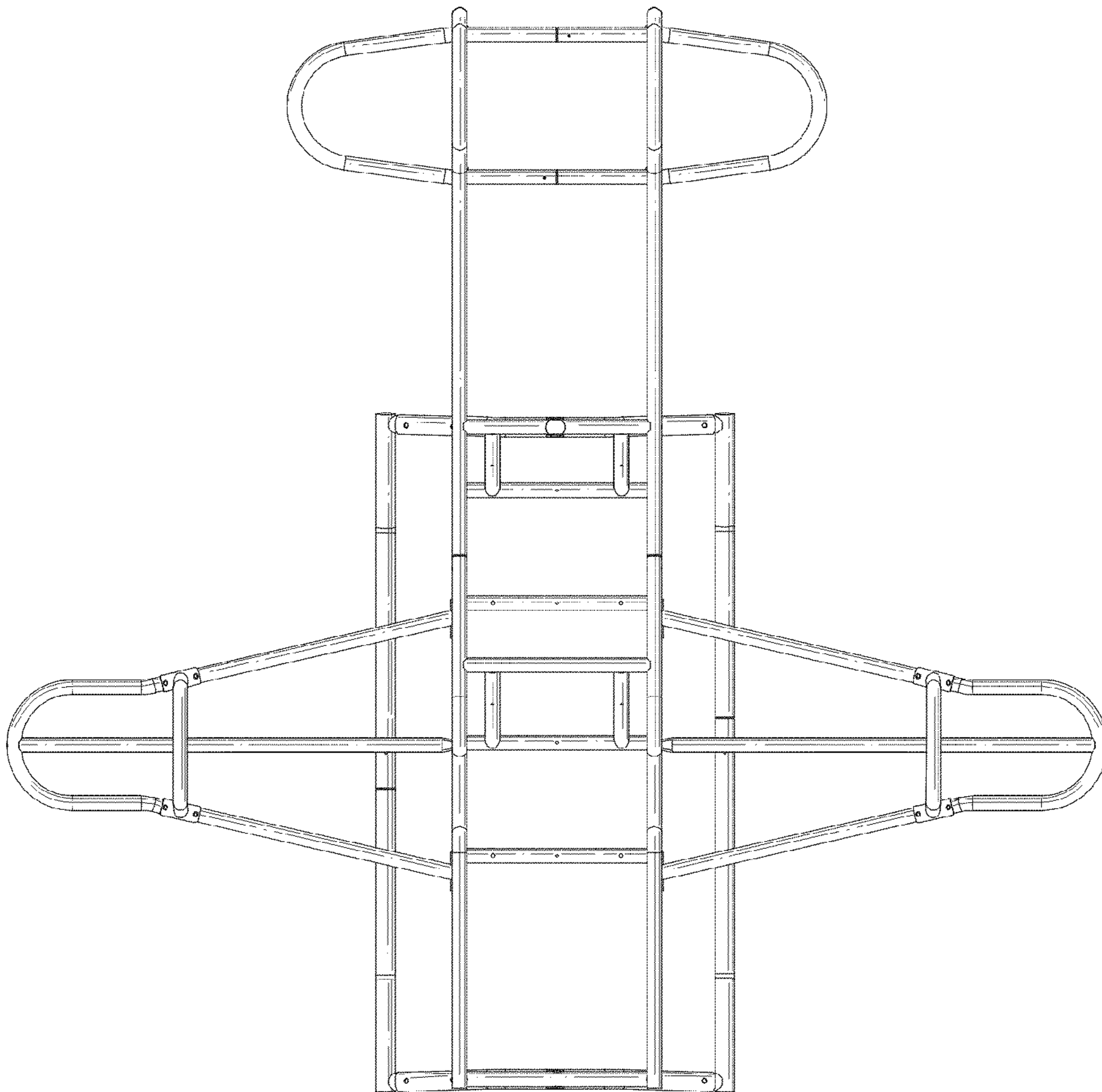


FIG. 3

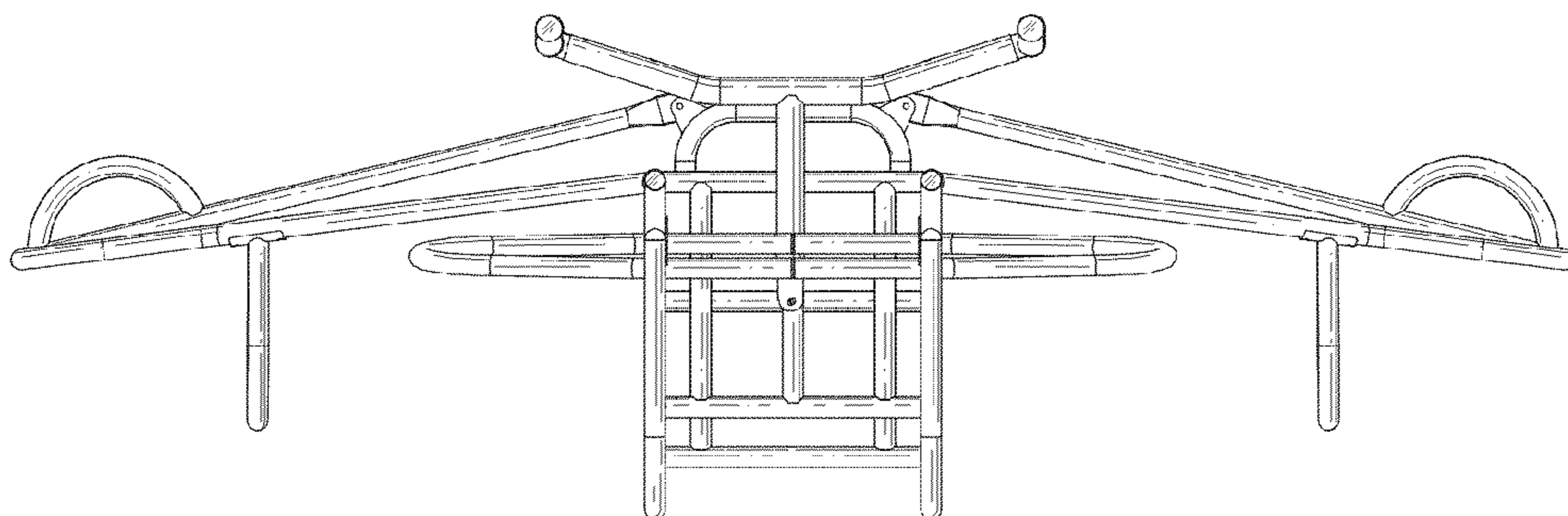


FIG. 4

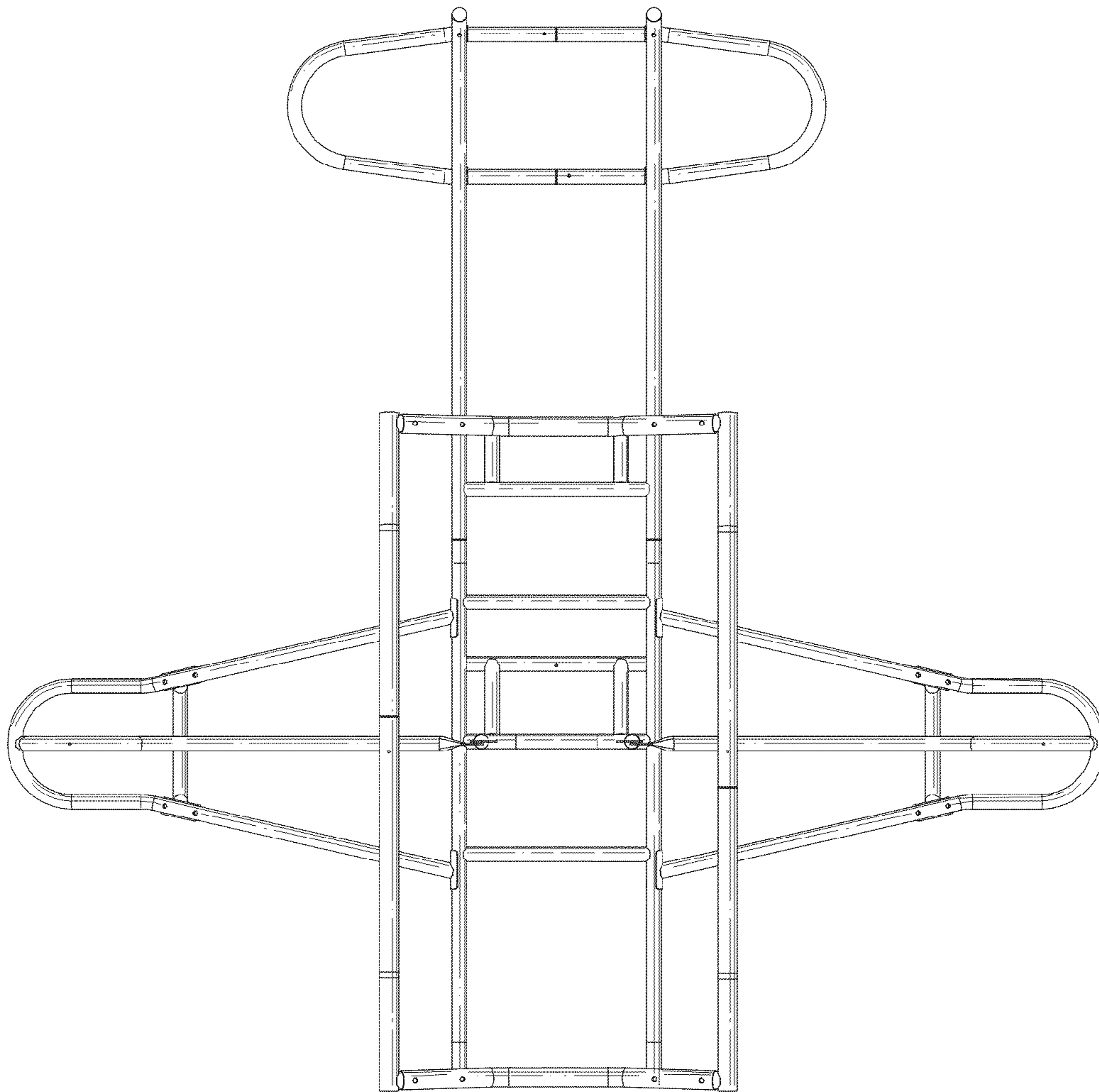


FIG. 6