



US00D593178S

(12) **United States Design Patent**  
**Steinmeyer**

(10) **Patent No.:** **US D593,178 S**

(45) **Date of Patent:** **\*\* May 26, 2009**

(54) **ILLUSION DEVICE**

(76) Inventor: **James Steinmeyer**, 514 S. Parish Pl.,  
Burbank, CA (US) 91506

(\*\*) Term: **14 Years**

(21) Appl. No.: **29/301,910**

(22) Filed: **Mar. 19, 2008**

(51) **LOC (9) Cl.** ..... **21-03**

(52) **U.S. Cl.** ..... **D21/812**

(58) **Field of Classification Search** ..... D21/811,  
D21/812; D6/422, 436, 429, 487, 444, 430;  
D34/5, 6, 17; 472/57, 58, 68, 69, 74, 75,  
472/63, 76, 66

See application file for complete search history.

(56) **References Cited**

**U.S. PATENT DOCUMENTS**

1,458,575 A \* 6/1923 Goldin ..... 472/69  
5,090,784 A \* 2/1992 Battista ..... 312/204

D345,595 S \* 3/1994 Steinmeyer ..... D21/812  
D478,143 S \* 8/2003 Steinmeyer ..... D21/812

\* cited by examiner

*Primary Examiner*—Stella M Reid

*Assistant Examiner*—Mark A Goodwin

(57) **CLAIM**

The ornamental design for an “illusion device,” as shown.

**DESCRIPTION**

FIG. 1 is a perspective view of an “illusion device” showing my new design;

FIG. 2 is a front view thereof;

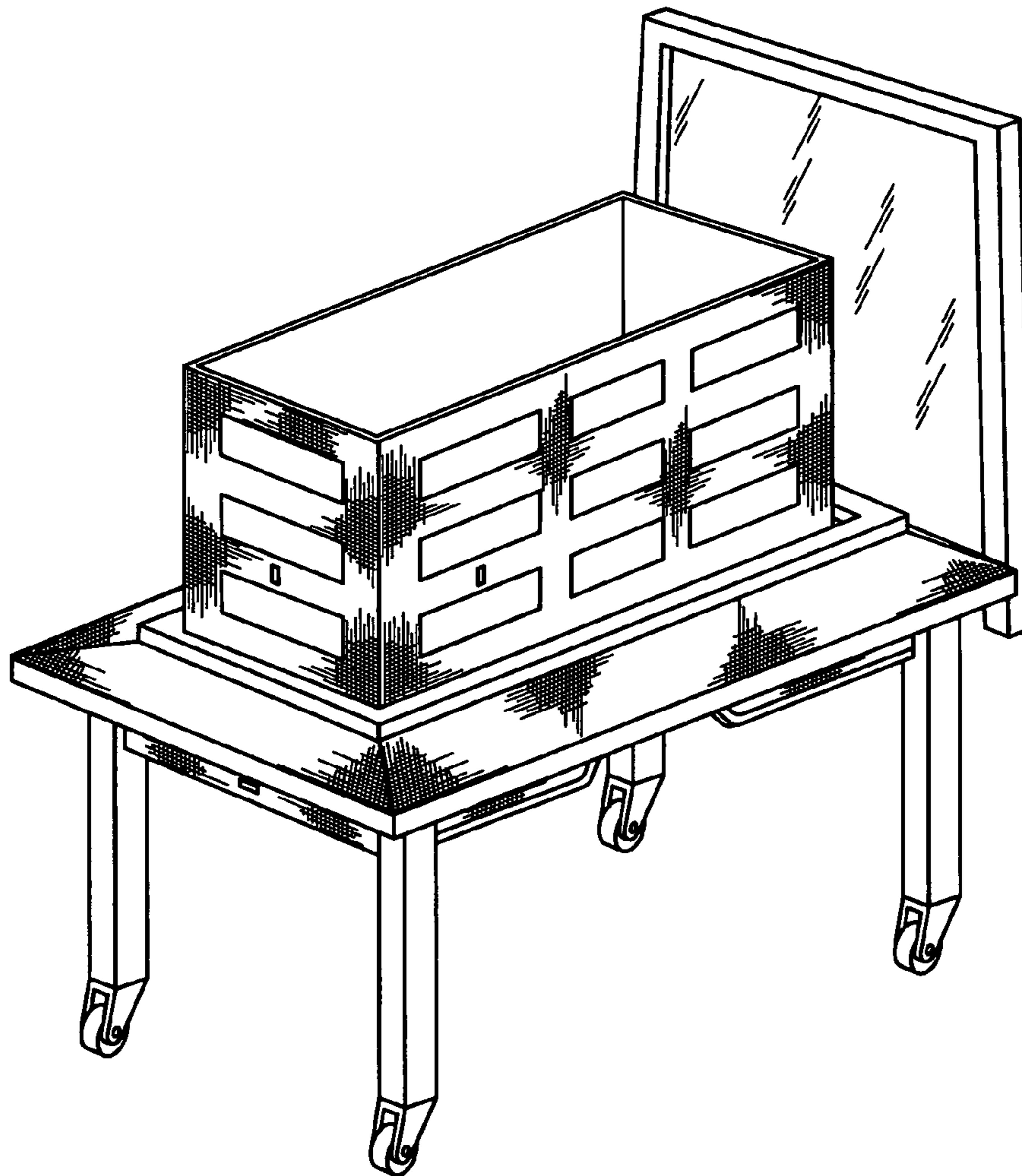
FIG. 3 is a rear view thereof;

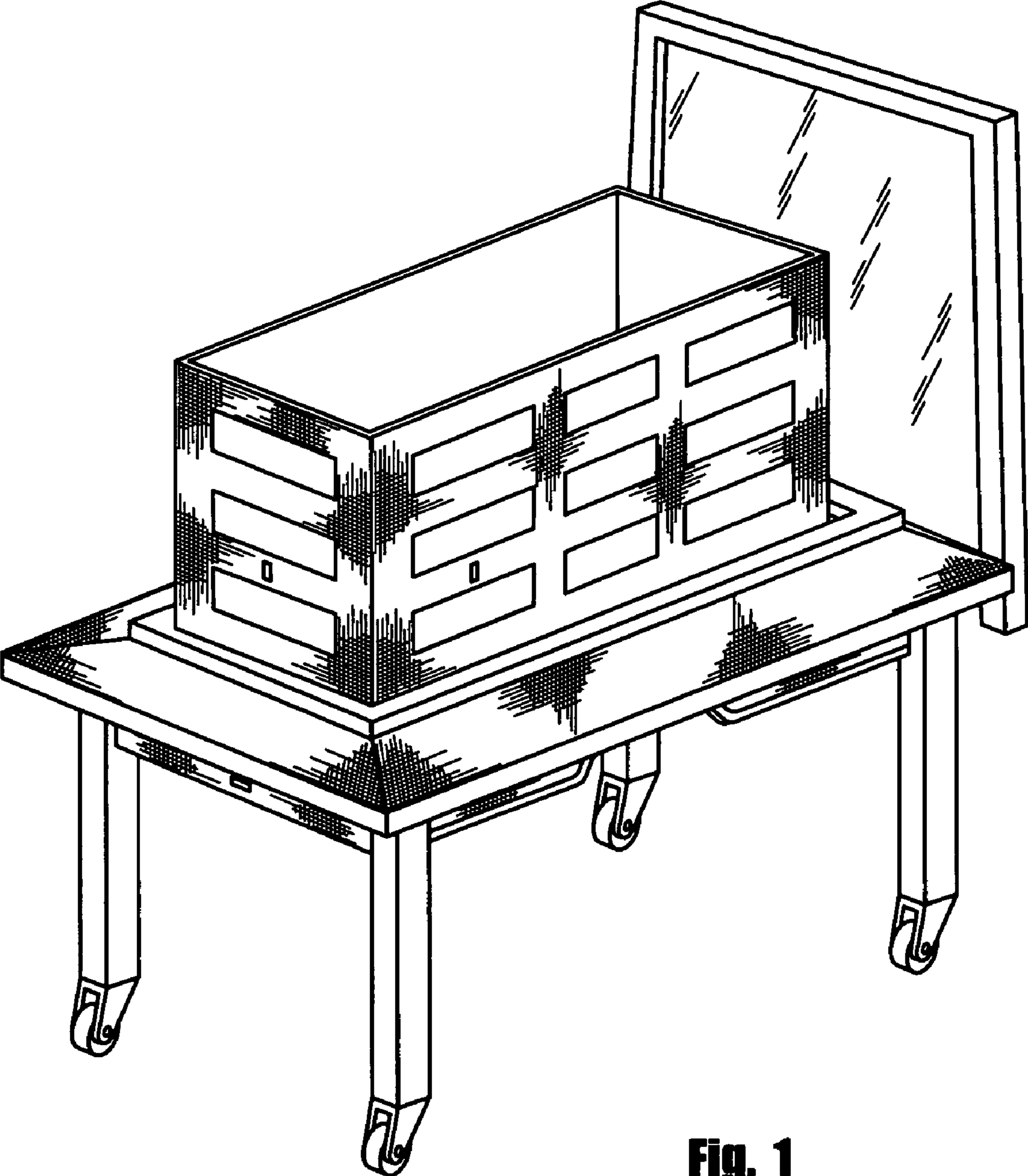
FIG. 4 is a right side view thereof, the opposite side being identified thereto;

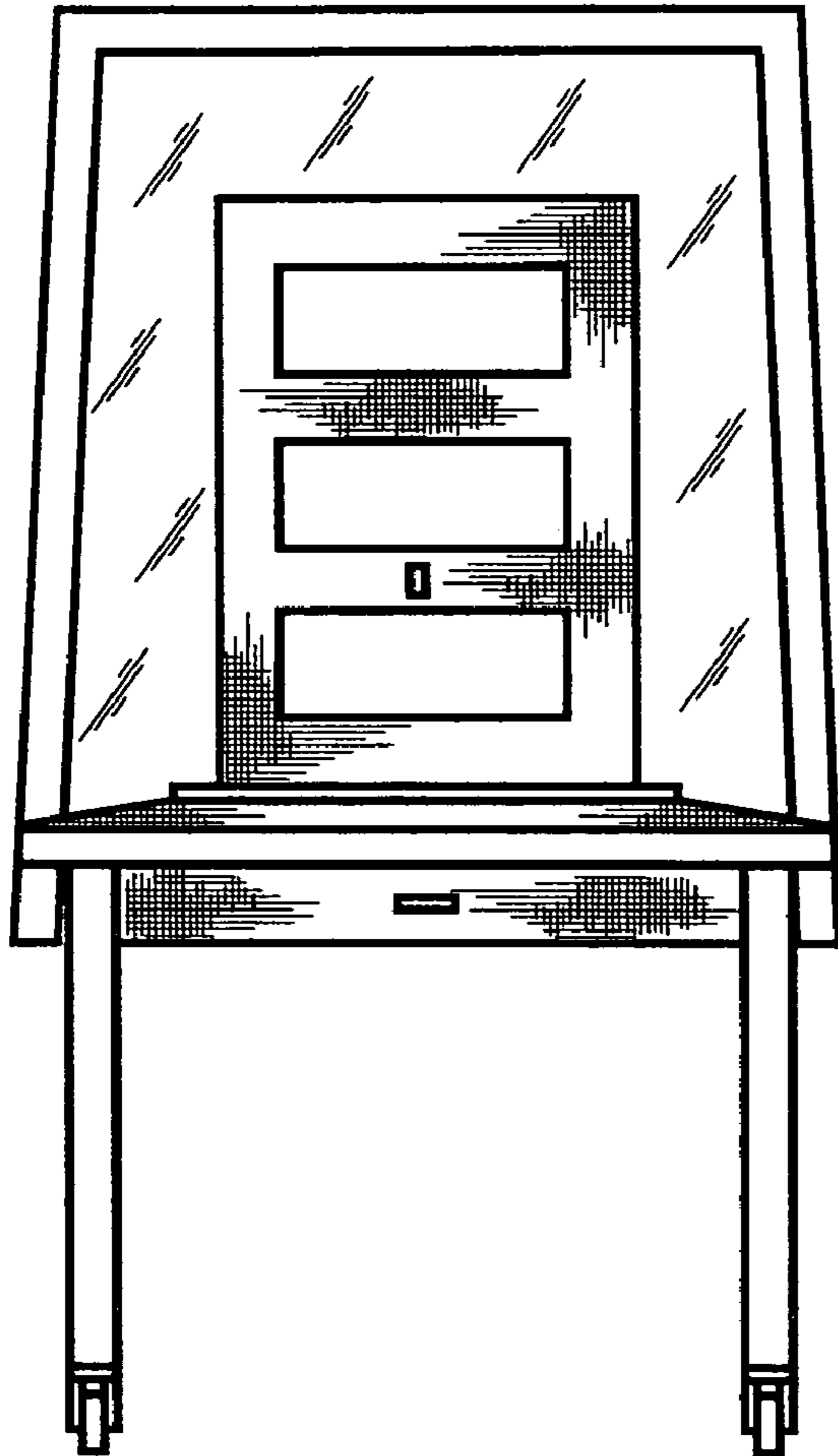
FIG. 5 is a top plan view thereof; and,

FIG. 6 is a bottom plan view thereof.

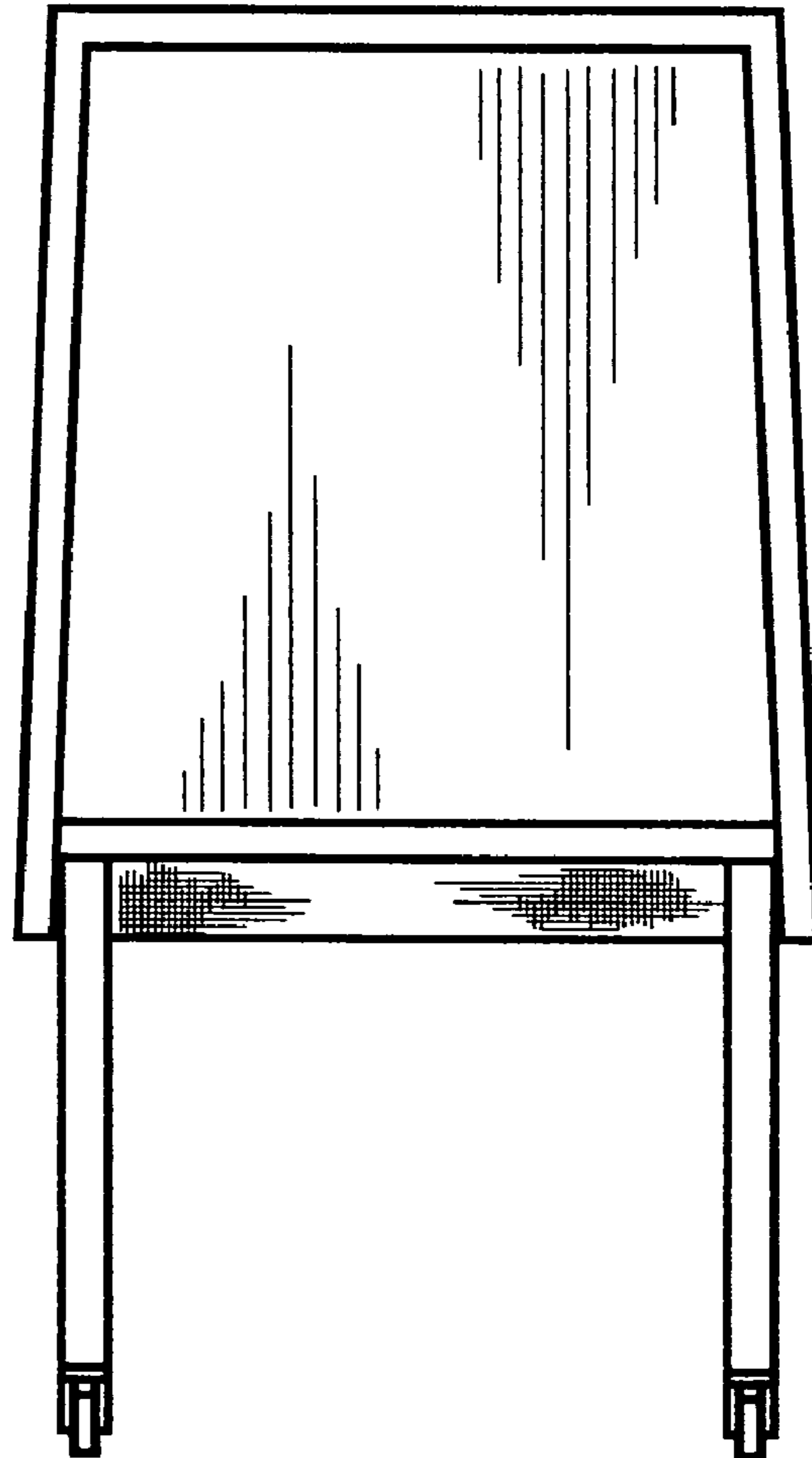
**1 Claim, 4 Drawing Sheets**



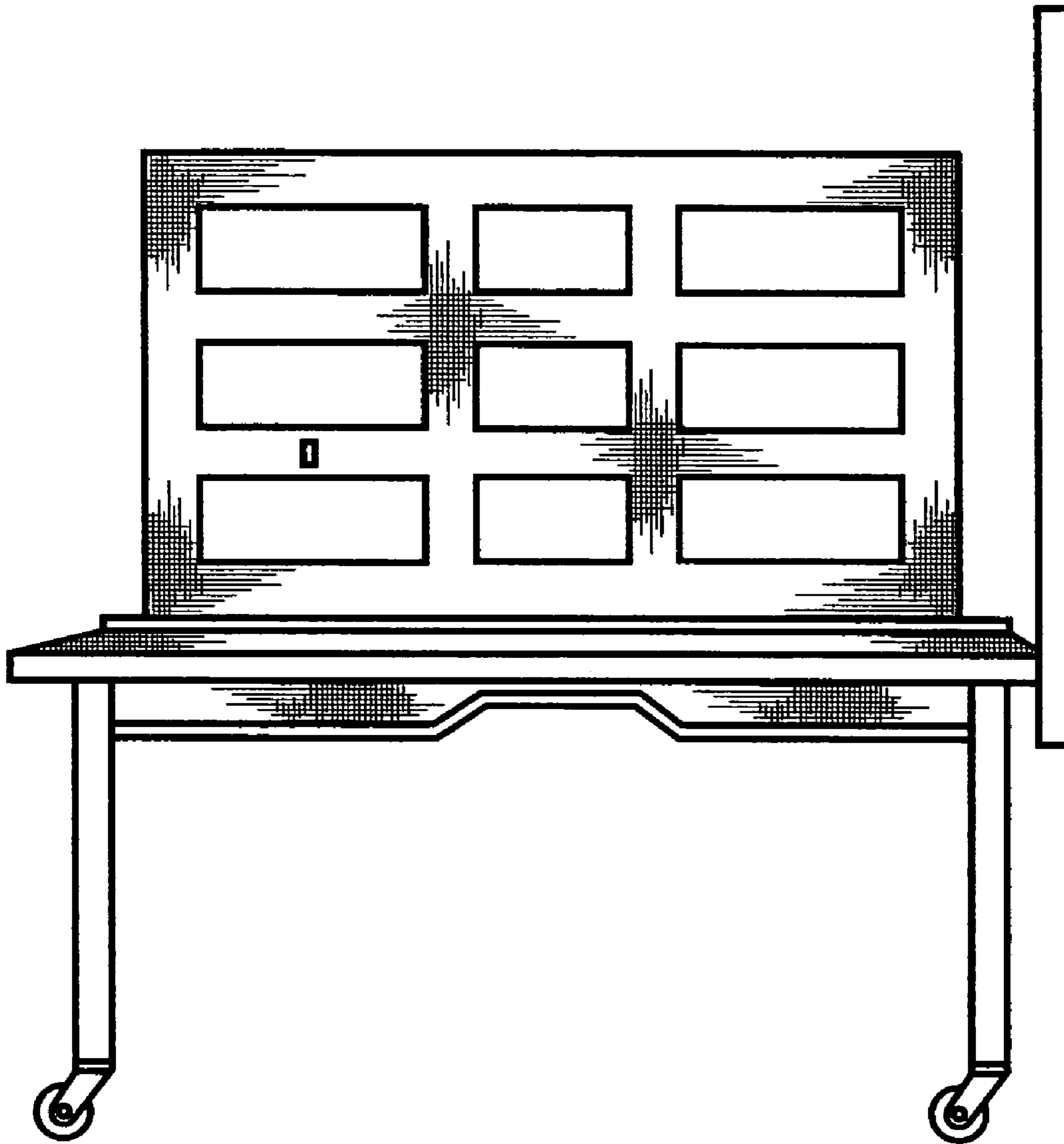




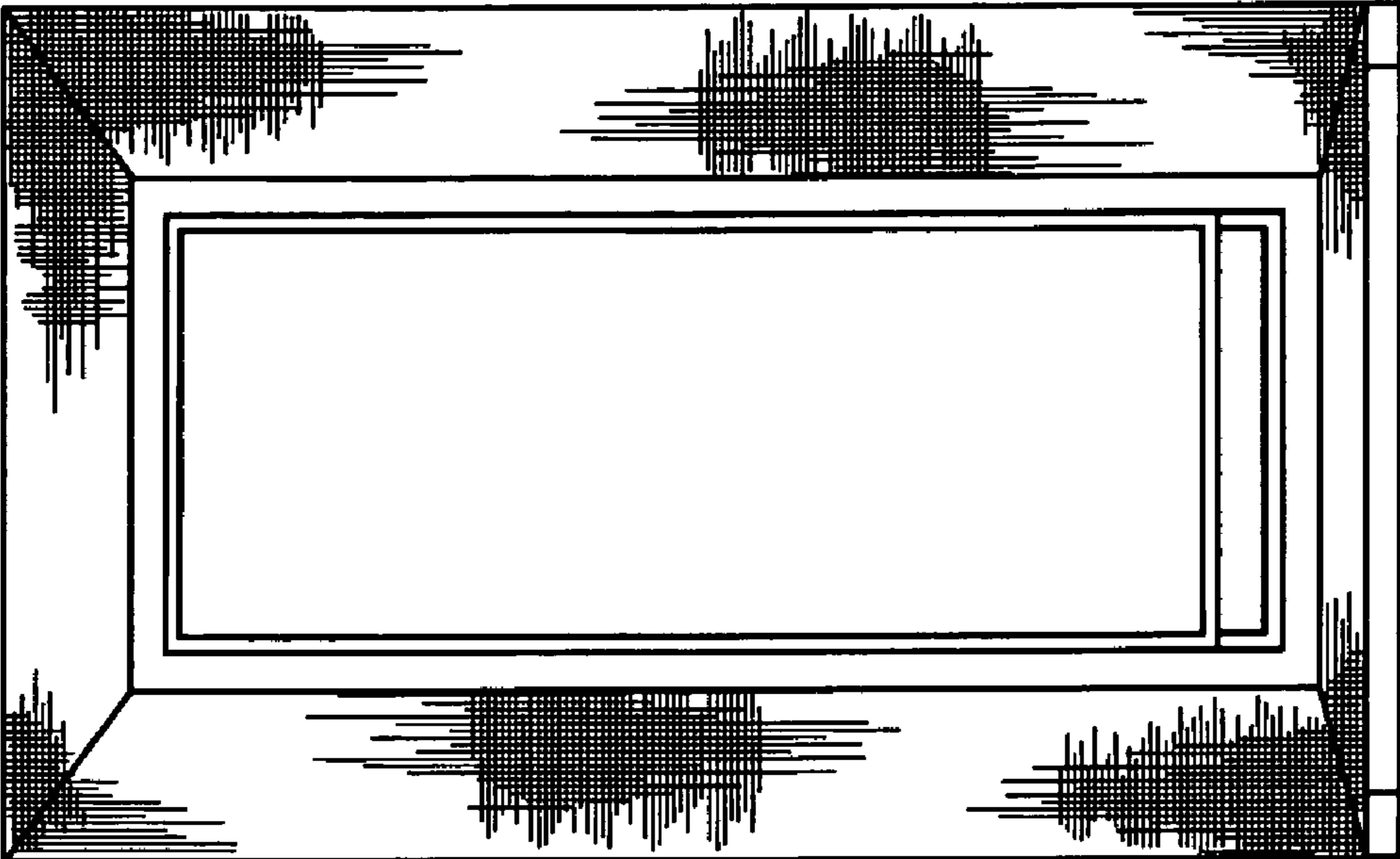
**Fig. 2**



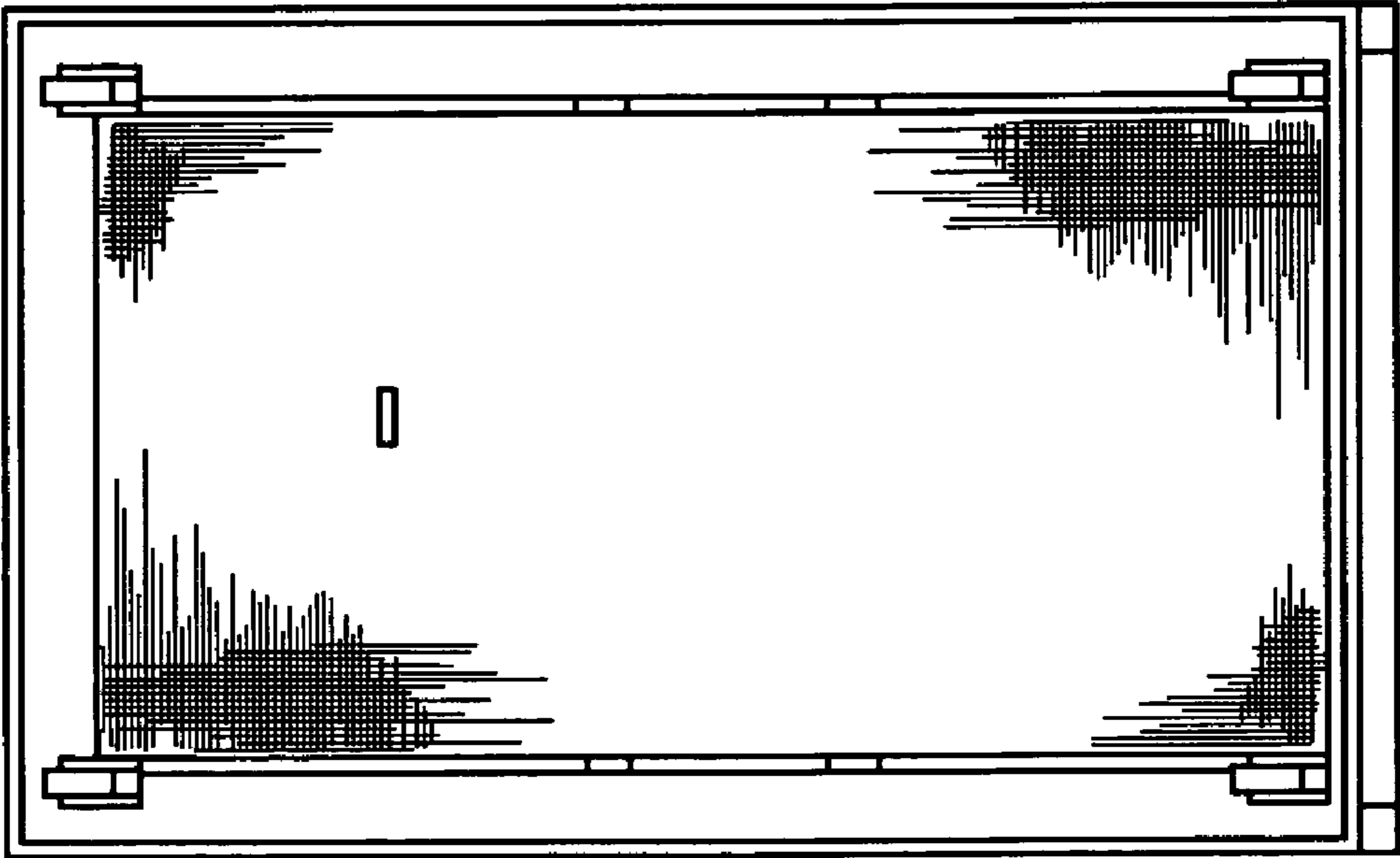
**Fig. 3**



**Fig. 4**



**Fig. 5**



**Fig. 6**