



US00D593172S

(12) **United States Design Patent**  
**Gill et al.**

(10) **Patent No.:** **US D593,172 S**  
(45) **Date of Patent:** **\*\* May 26, 2009**

(54) **GOLF GRIP**

(75) Inventors: **David Keith Gill**, Pinehurst, NC (US);  
**Richard Andrew Black**, Pinebluff, NC  
(US); **Billy Dee Wood**, Whispering  
Pines, NC (US)

(73) Assignee: **Eaton Corporation**, Cleveland, OH  
(US)

(\*\*) Term: **14 Years**

(21) Appl. No.: **29/307,458**

(22) Filed: **Apr. 22, 2008**

(51) **LOC (9) Cl.** ..... **21-02**

(52) **U.S. Cl.** ..... **D21/756**

(58) **Field of Classification Search** ..... D21/756-757;  
473/300-303

See application file for complete search history.

(56) **References Cited**

**U.S. PATENT DOCUMENTS**

D223,462 S *	4/1972	Spencer	.....	D21/756
D362,891 S *	10/1995	Solheim	.....	D21/756
D376,400 S *	12/1996	Nakazaki	.....	D21/756
D379,394 S *	5/1997	Fortis	.....	D21/756
D461,863 S *	8/2002	Huang	.....	D21/756
D462,404 S *	9/2002	Huang	.....	D21/756
D463,520 S	9/2002	Ulrich	.....	D21/756
D534,602 S	1/2007	Norton et al.	.....	D21/756
D534,603 S	1/2007	Norton et al.	.....	D21/756
D534,604 S	1/2007	Norton et al.	.....	D21/756
D534,605 S	1/2007	Norton et al.	.....	D21/756
D534,606 S	1/2007	Norton et al.	.....	D21/756
D534,607 S	1/2007	Norton et al.	.....	D21/756
D534,975 S	1/2007	Norton et al.	.....	D21/756
D536,048 S	1/2007	Chen	.....	D21/756
D538,868 S	3/2007	Norton et al.	.....	D21/756
D538,869 S	3/2007	Wang et al.	.....	D21/756
D554,723 S	11/2007	Savasky	.....	D21/756
D554,724 S	11/2007	Savasky	.....	D21/756

D556,847 S	12/2007	DeVaney	.....	D21/756
D562,923 S	2/2008	DeVaney et al.	.....	D21/756
D562,924 S	2/2008	DeVaney et al.	.....	D21/756
D564,610 S *	3/2008	Chen	.....	D21/756

**OTHER PUBLICATIONS**

U.S. Appl. No. 29/294,423, filed Jan. 10, 2008, Entitled Golf Grip.  
U.S. Appl. No. 29/301,984, filed Mar. 26, 2008, Entitled Golf Grip.  
U.S. Appl. No. 29/301,979, filed Mar. 26, 2008, Entitled Golf Grip.  
U.S. Appl. No. 29/301,987, filed Mar. 26, 2008, Entitled Golf Grip.  
U.S. Appl. No. 29/301,980, filed Mar. 26, 2008, Entitled Golf Grip.  
U.S. Appl. No. 29/301,983, filed Mar. 26, 2008, Entitled Golf Grip.  
U.S. Appl. No. 29/301,982, filed Mar. 26, 2008, Entitled Golf Grip.  
U.S. Appl. No. 29/301,991, filed Mar. 26, 2008, Entitled Golf Grip.  
U.S. Appl. No. 29/301,985, filed Mar. 26, 2008, Entitled Golf Grip.  
U.S. Appl. No. 29/301,986, filed Mar. 26, 2008, Entitled Golf Grip.  
U.S. Appl. No. 29/301,981, filed Mar. 26, 2008, Entitled Golf Grip.

\* cited by examiner

*Primary Examiner*—Mitchell I Siegel

(74) *Attorney, Agent, or Firm*—Daniel S. Kalka

(57) **CLAIM**

The ornamental design for a golf grip, substantially as shown and described.

**DESCRIPTION**

FIG. 1 is a perspective view of the golf grip;

FIG. 2 is a frontal view of the golf grip;

FIG. 3 is a right side view of the golf grip when viewing from the front;

FIG. 4 is a rear view of the golf grip;

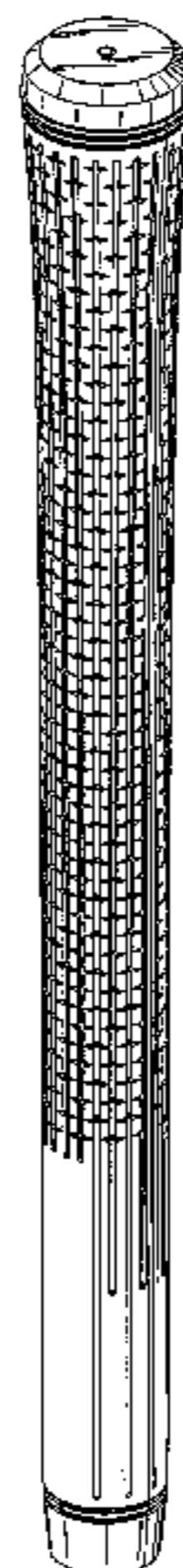
FIG. 5 is a left side view of the golf grip when viewing from the front;

FIG. 6 is a top view of the golf grip;

FIG. 7 is an enlarged fragmentary perspective view of the golf grip; and,

FIG. 8 is an enlarged frontal view of the golf grip.

**1 Claim, 2 Drawing Sheets**



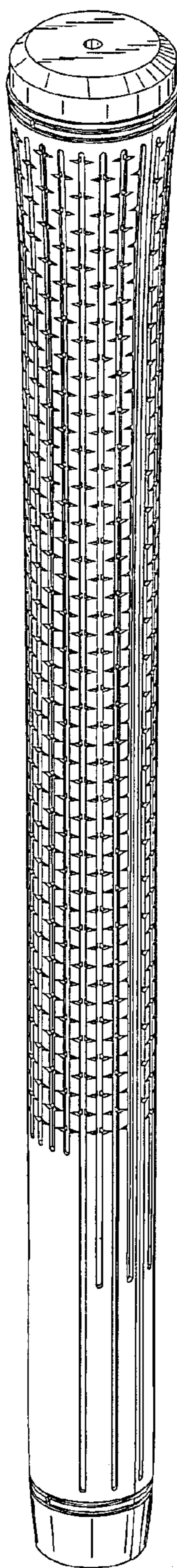


Fig.1

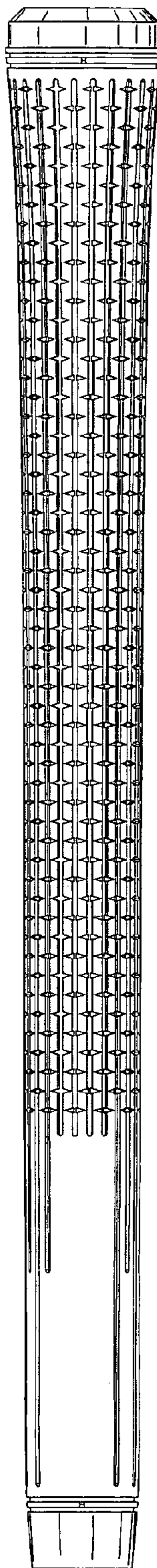


Fig.2

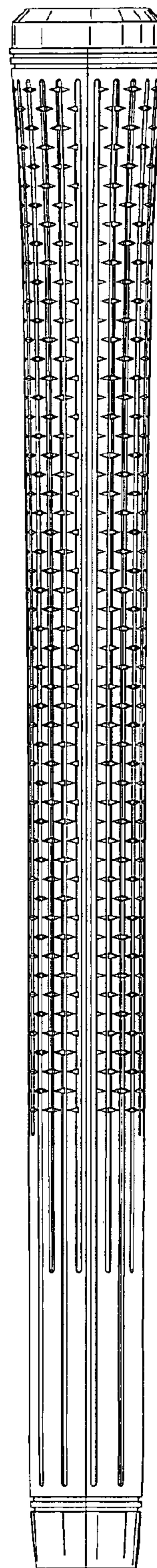


Fig.3



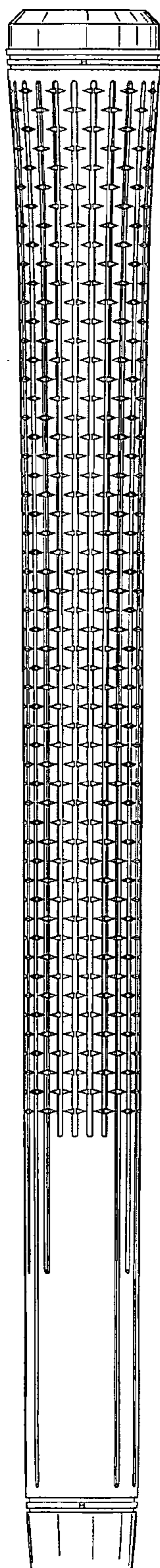


Fig.4

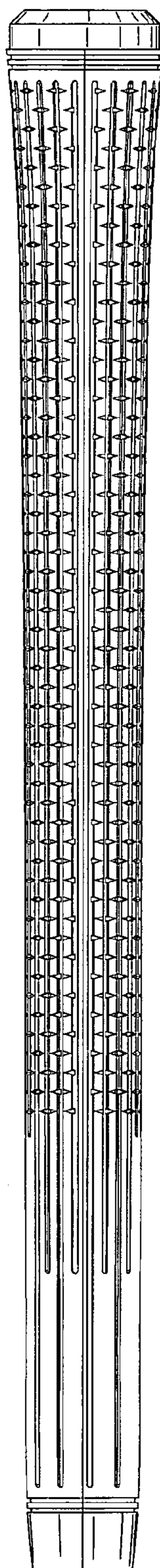


Fig.5

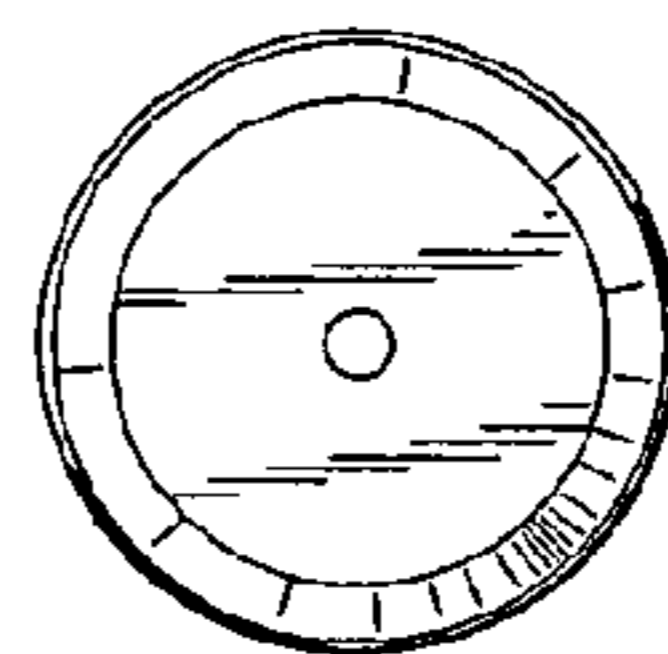


Fig.6

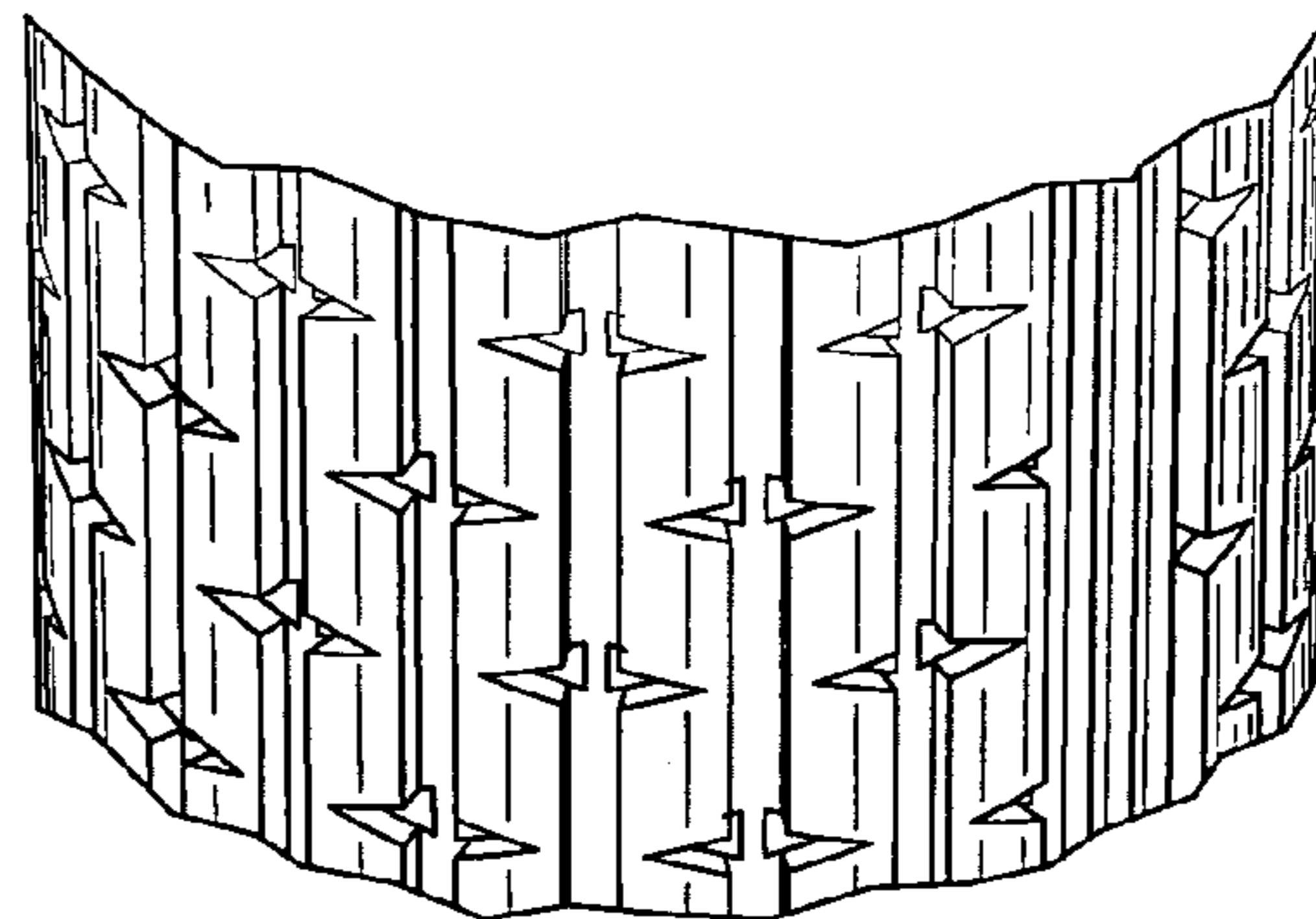


Fig.7

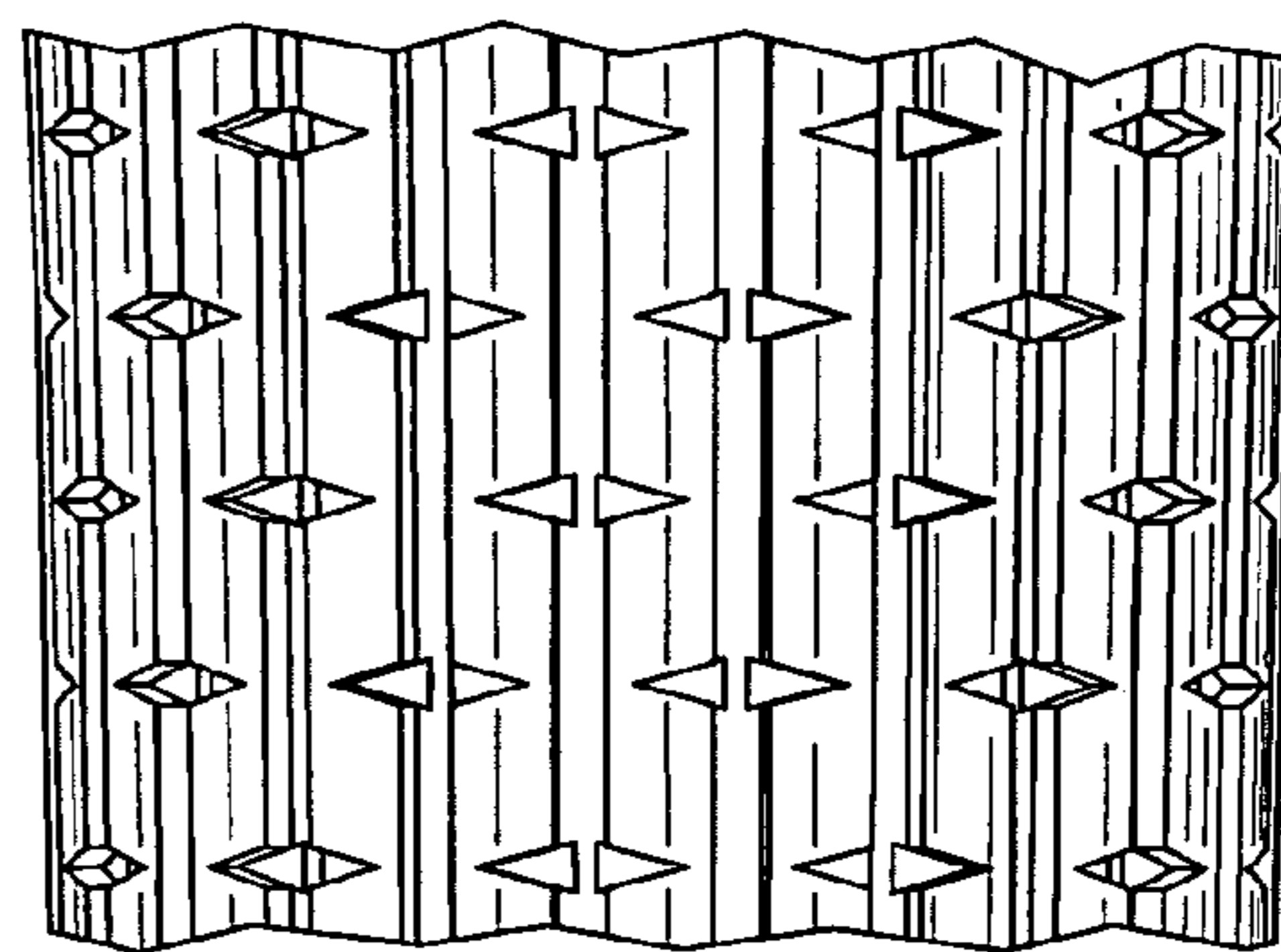


Fig.8