



US00D593171S

(12) **United States Design Patent**
Stellander

(10) **Patent No.:** **US D593,171 S**

(45) **Date of Patent:** **** May 26, 2009**

(54) **PUTTER**

(76) **Inventor:** **Bernt Stellander**, Skolienborgveien 64,
Skollenborg (NO) N-3619

(**) **Term:** **14 Years**

(21) **Appl. No.:** **29/251,982**

(22) **Filed:** **Jan. 18, 2006**

(51) **LOC (9) Cl.** **21-02**

(52) **U.S. Cl.** **D21/736**

(58) **Field of Classification Search** D21/747-751,
D21/736-746; 473/324-331, 251-256, 340,
473/341

See application file for complete search history.

(56) **References Cited**

U.S. PATENT DOCUMENTS

4,741,535	A *	5/1988	Leonhardt	473/252
D327,930	S *	7/1992	Jazdyk	D21/744
D342,558	S *	12/1993	Diesterheft	D21/741
5,997,409	A *	12/1999	Mattson	473/252
D517,143	S *	3/2006	Petsel et al.	D21/742
D532,844	S *	11/2006	Rollinson	D21/736
D532,845	S *	11/2006	Rollinson	D21/736

* cited by examiner

Primary Examiner—Mitchell Siegel
(74) Attorney, Agent, or Firm—Christian D. Abel

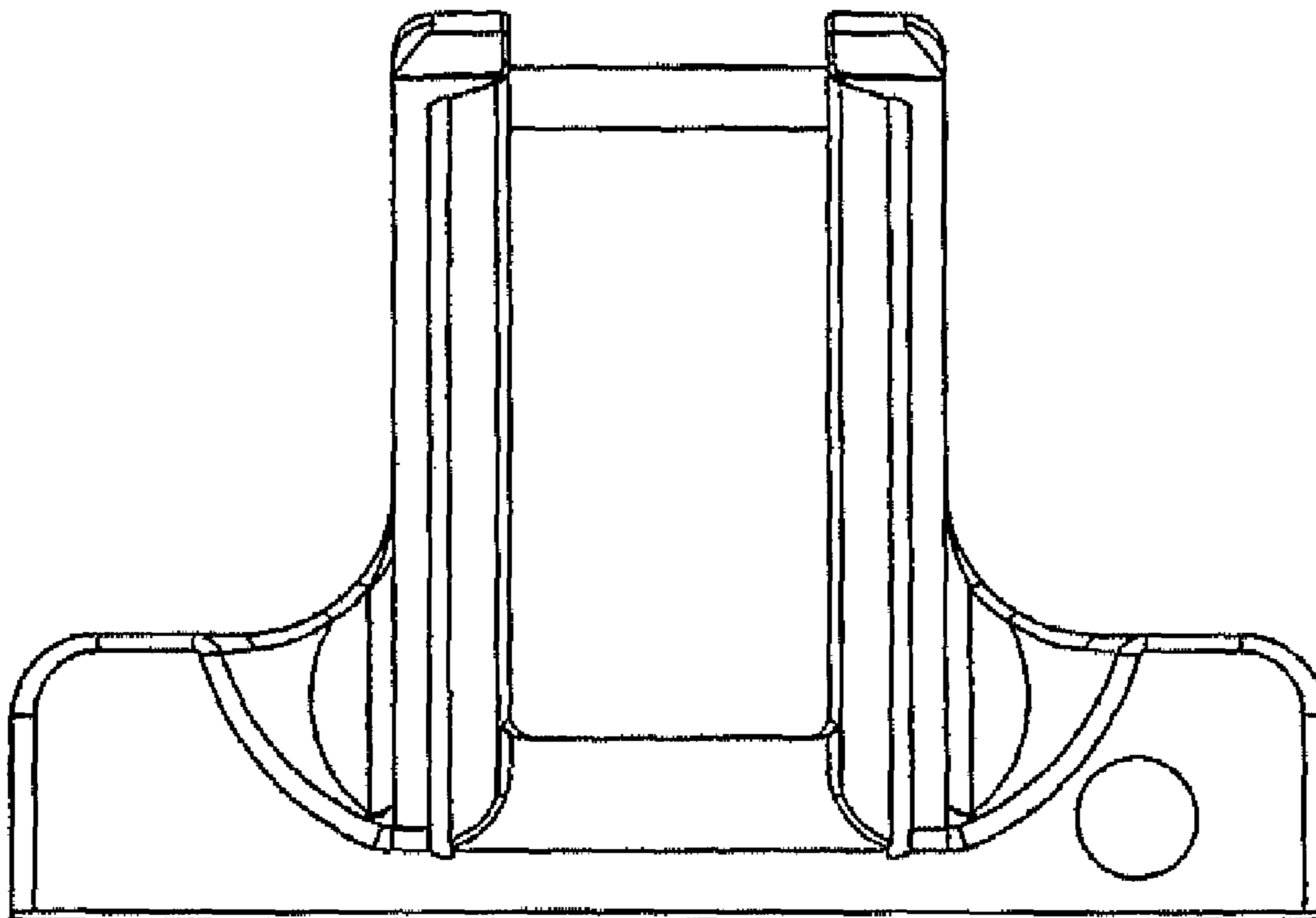
(57) **CLAIM**

The ornamental design for a putter, as shown and described.

DESCRIPTION

FIG. 1 is a top plan view of the putter;
 FIG. 2 is a bottom plan view thereof;
 FIG. 3 is a left side view thereof;
 FIG. 4 is a front elevational view thereof;
 FIG. 5 is a rear elevational view thereof;
 FIG. 6 is a top perspective view thereof;
 FIG. 7 is a perspective view of FIG. 6;
 FIG. 8 is a perspective view of FIG. 6;
 FIG. 9 is a perspective view of FIG. 6;
 FIG. 10 is a perspective view of FIG. 6;
 FIG. 11 is a bottom perspective view of FIG. 1;
 FIG. 12 is a perspective view of FIG. 11;
 FIG. 13 is a perspective view of FIG. 11;
 FIG. 14 is a perspective view of FIG. 11; and,
 FIG. 15 is a perspective view of FIG. 11.

1 Claim, 15 Drawing Sheets



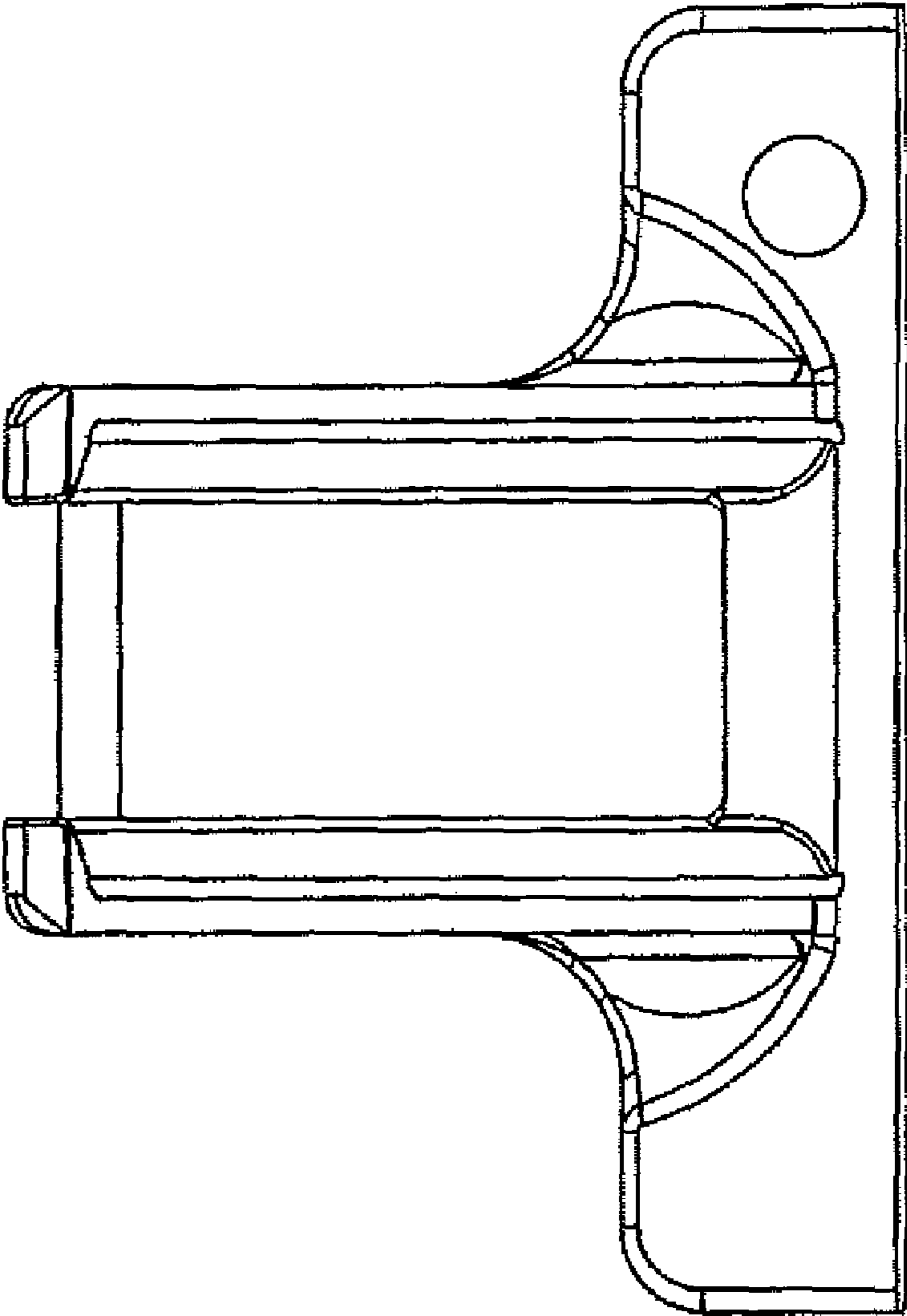


FIGURE 1

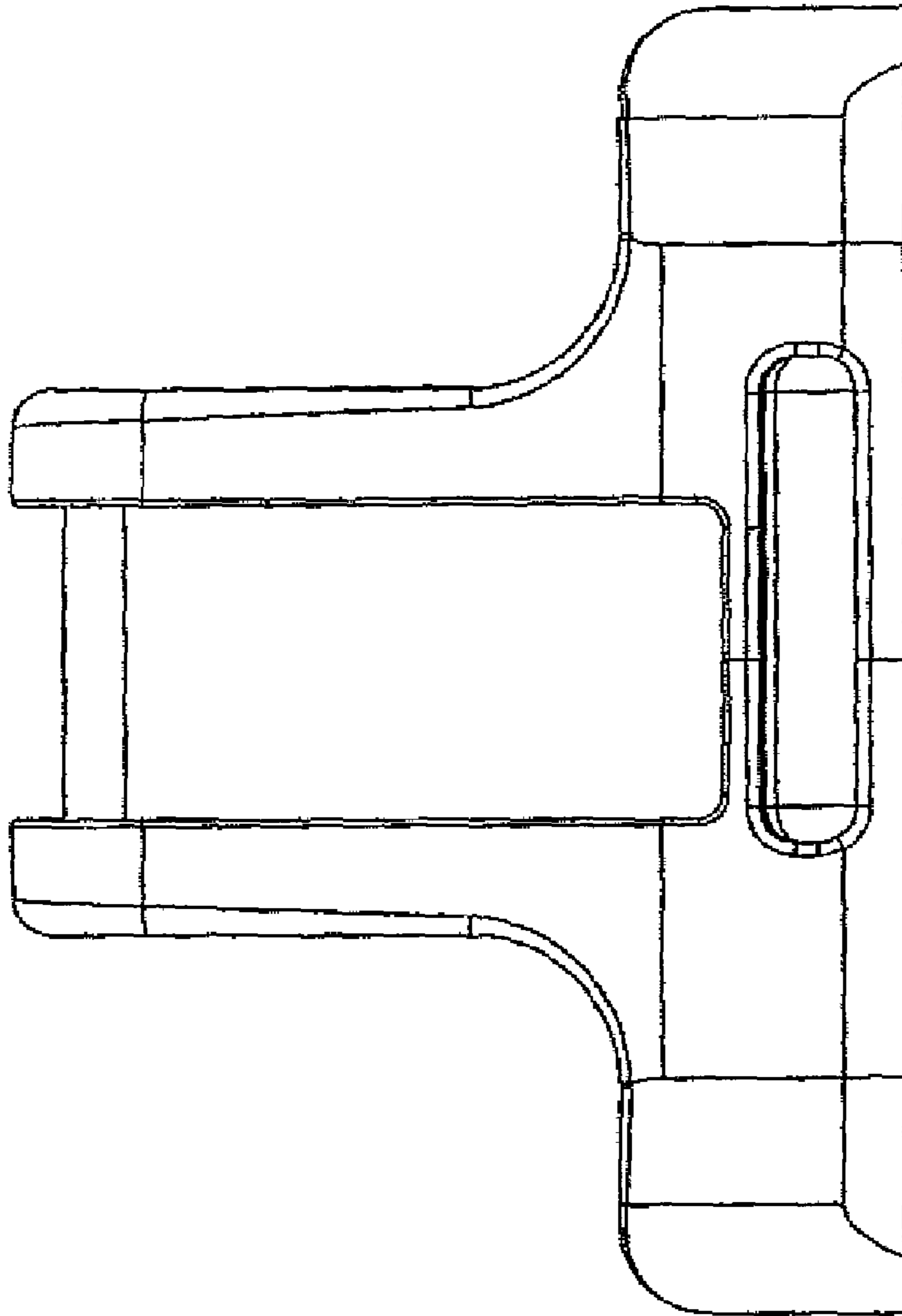


FIGURE 2

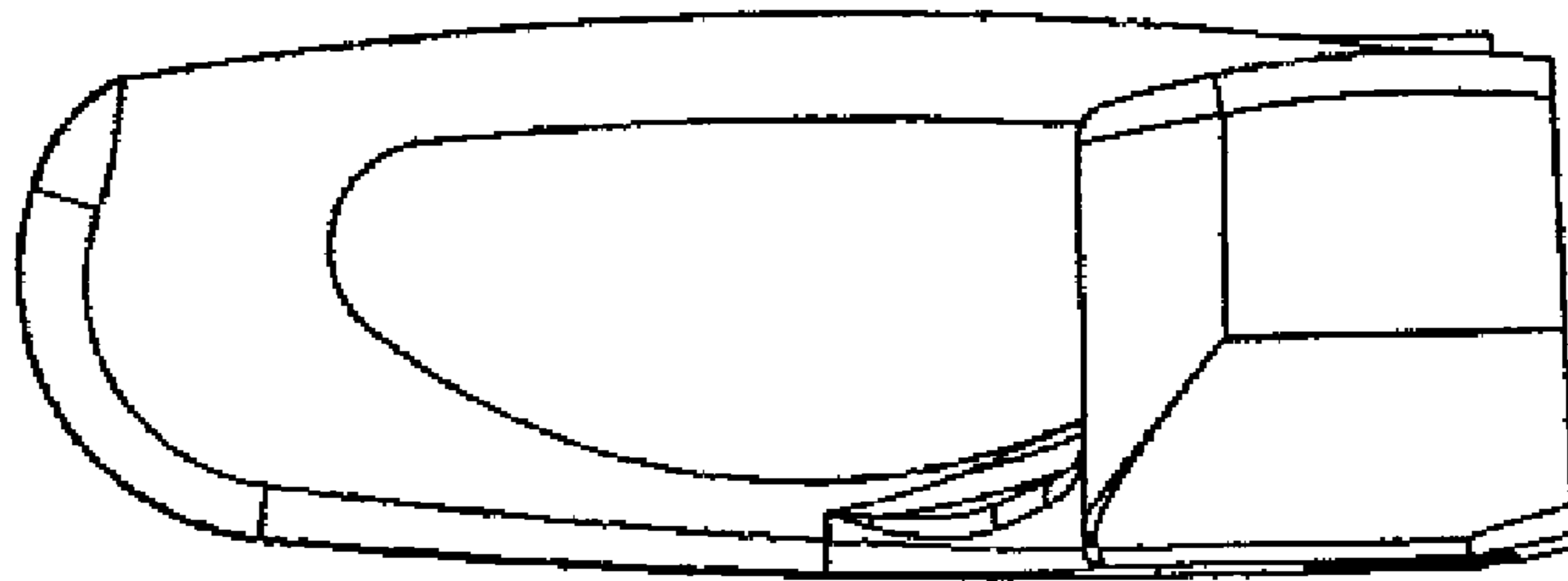


FIGURE 3

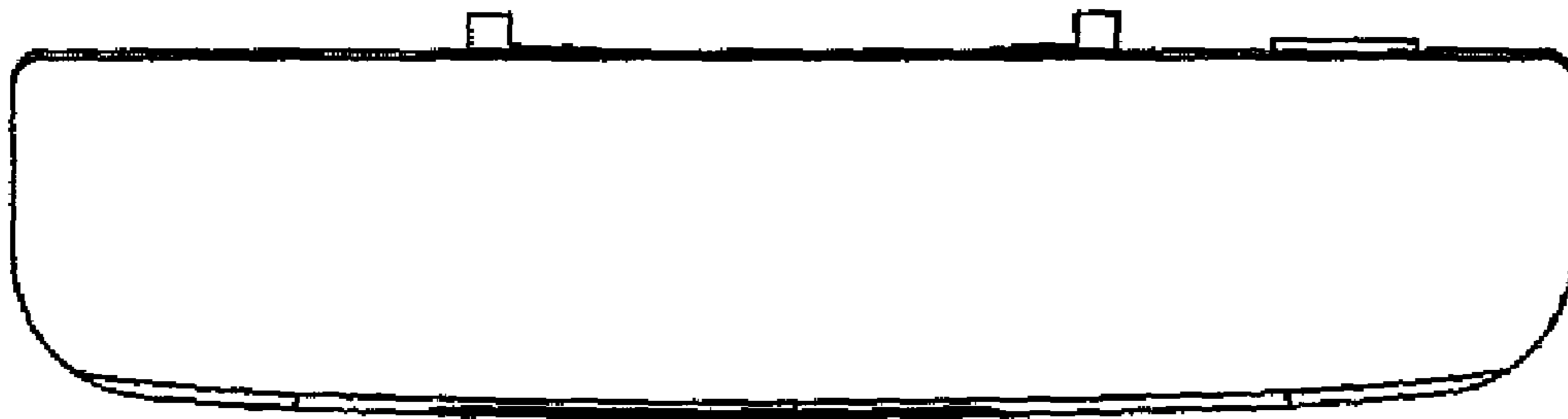


FIGURE 4

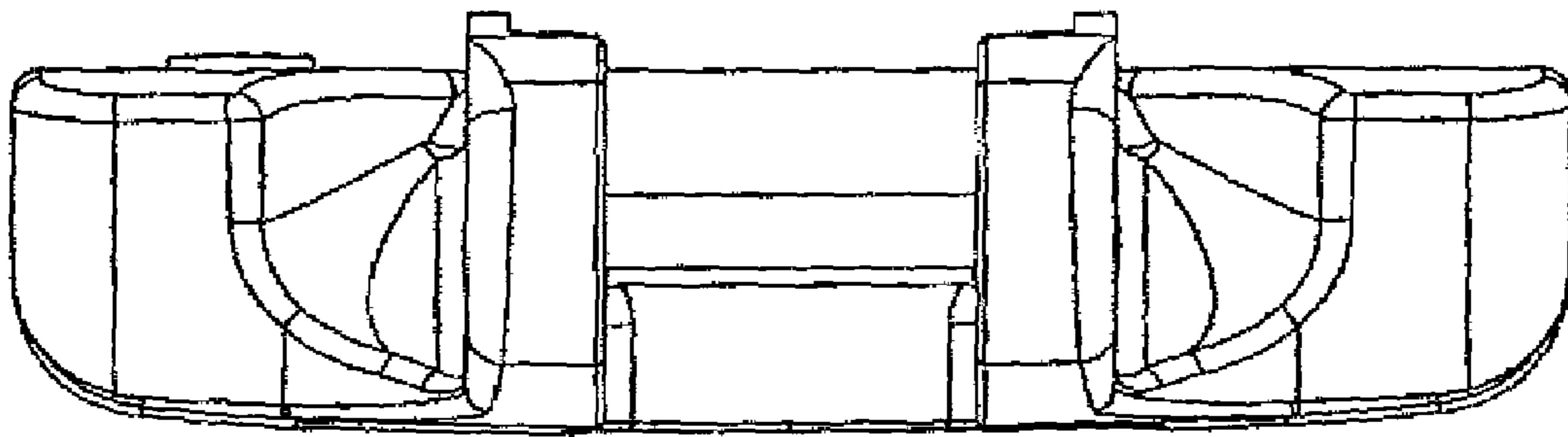


FIGURE 5

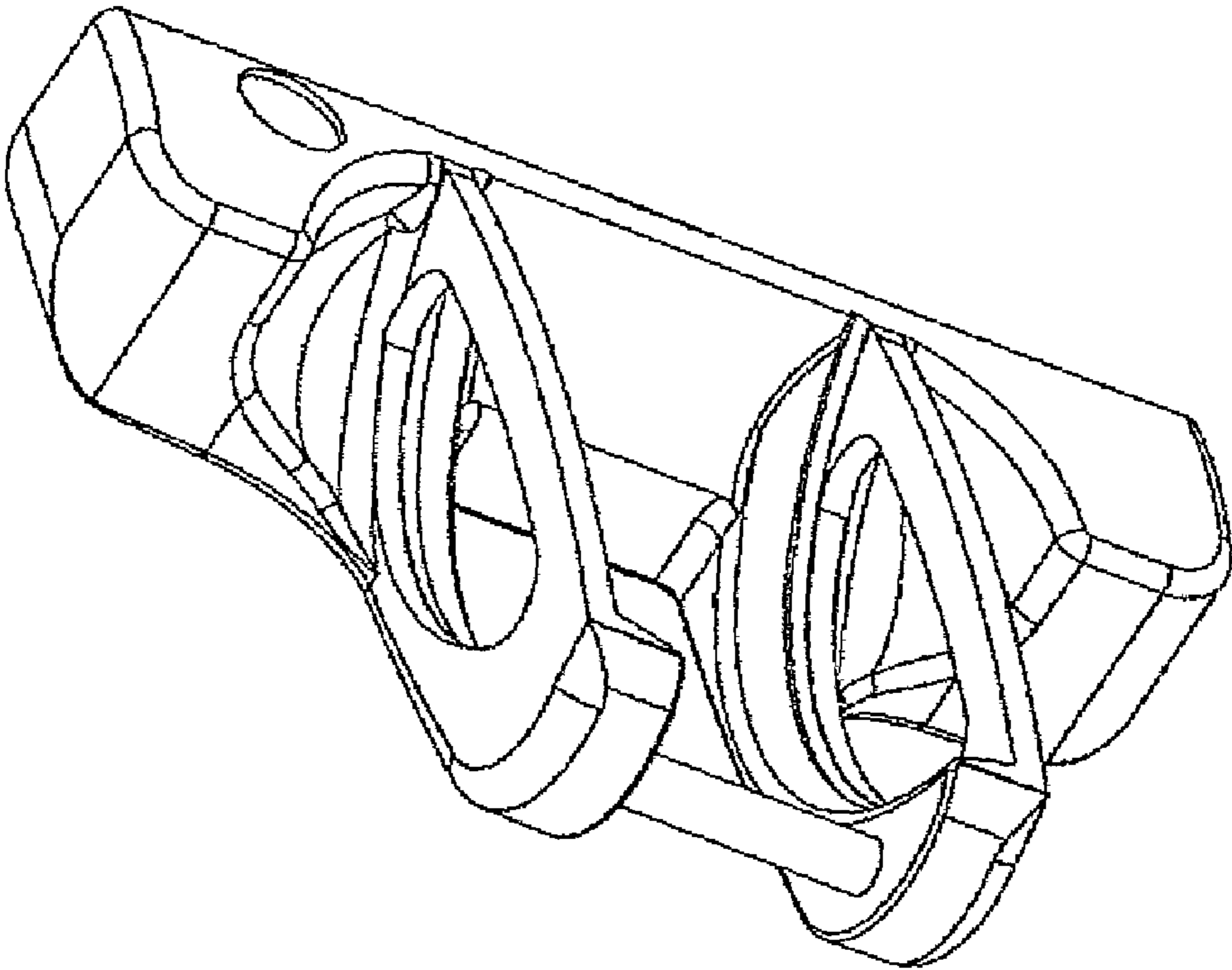


FIGURE 6

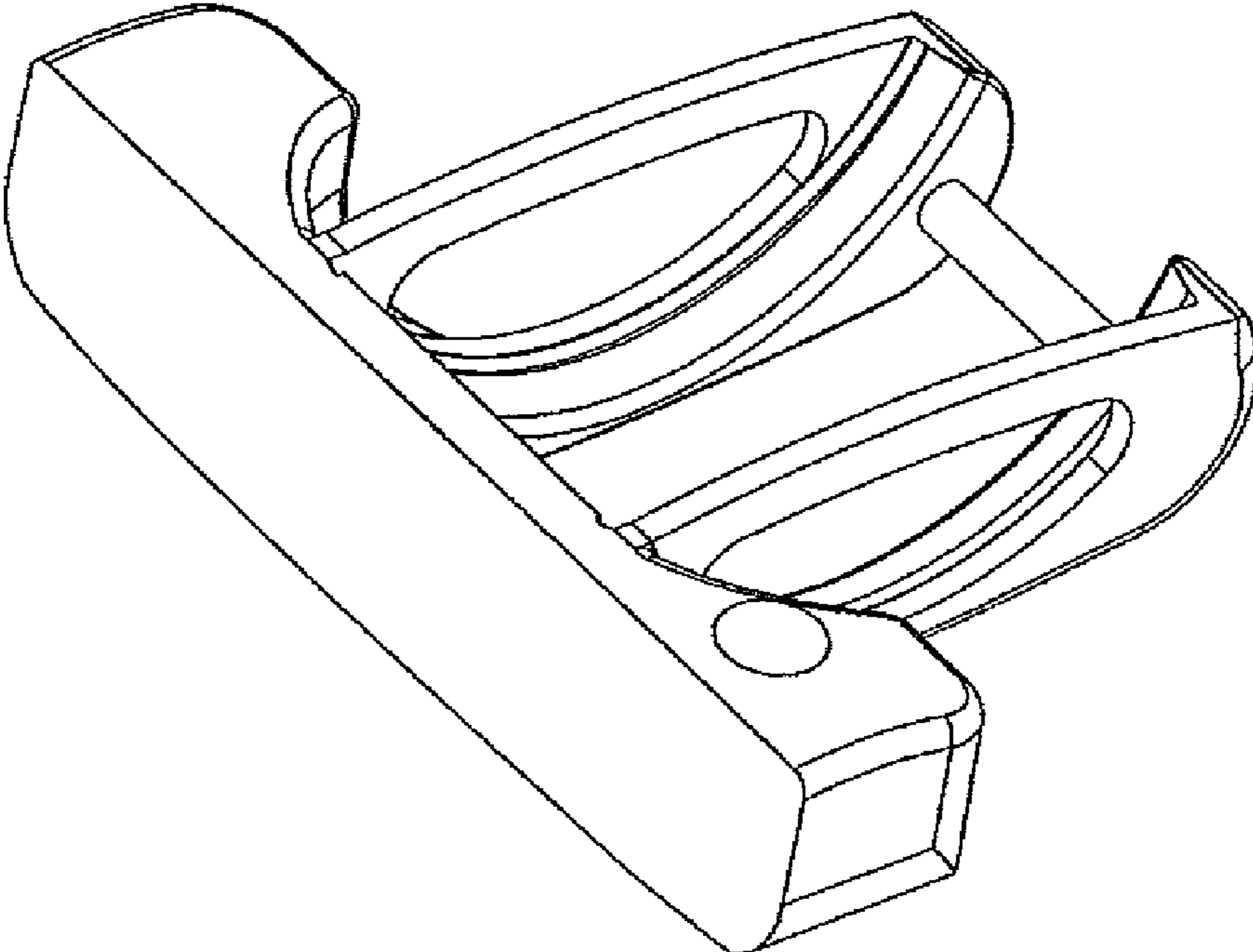


FIGURE 7

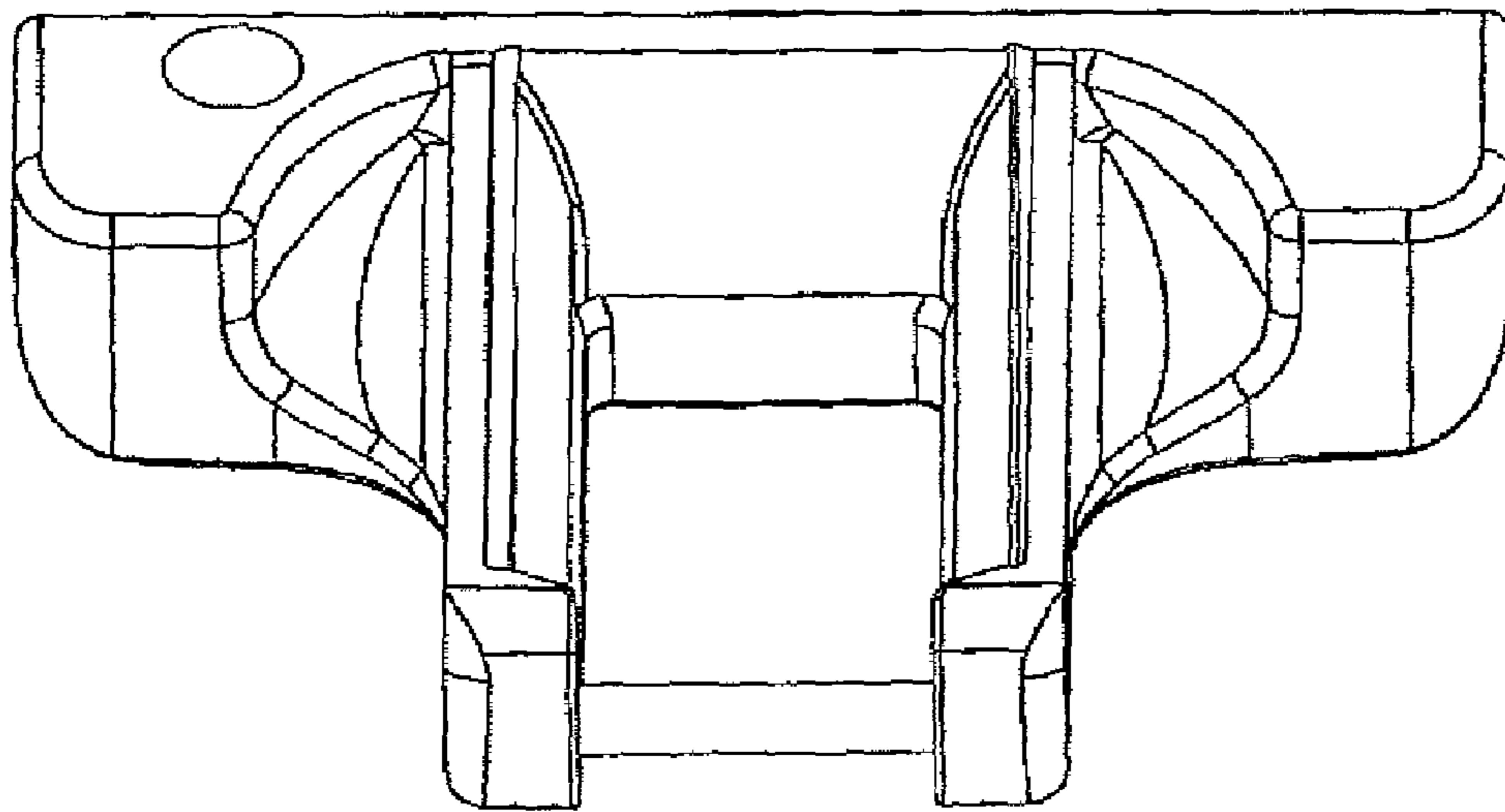


FIGURE 8

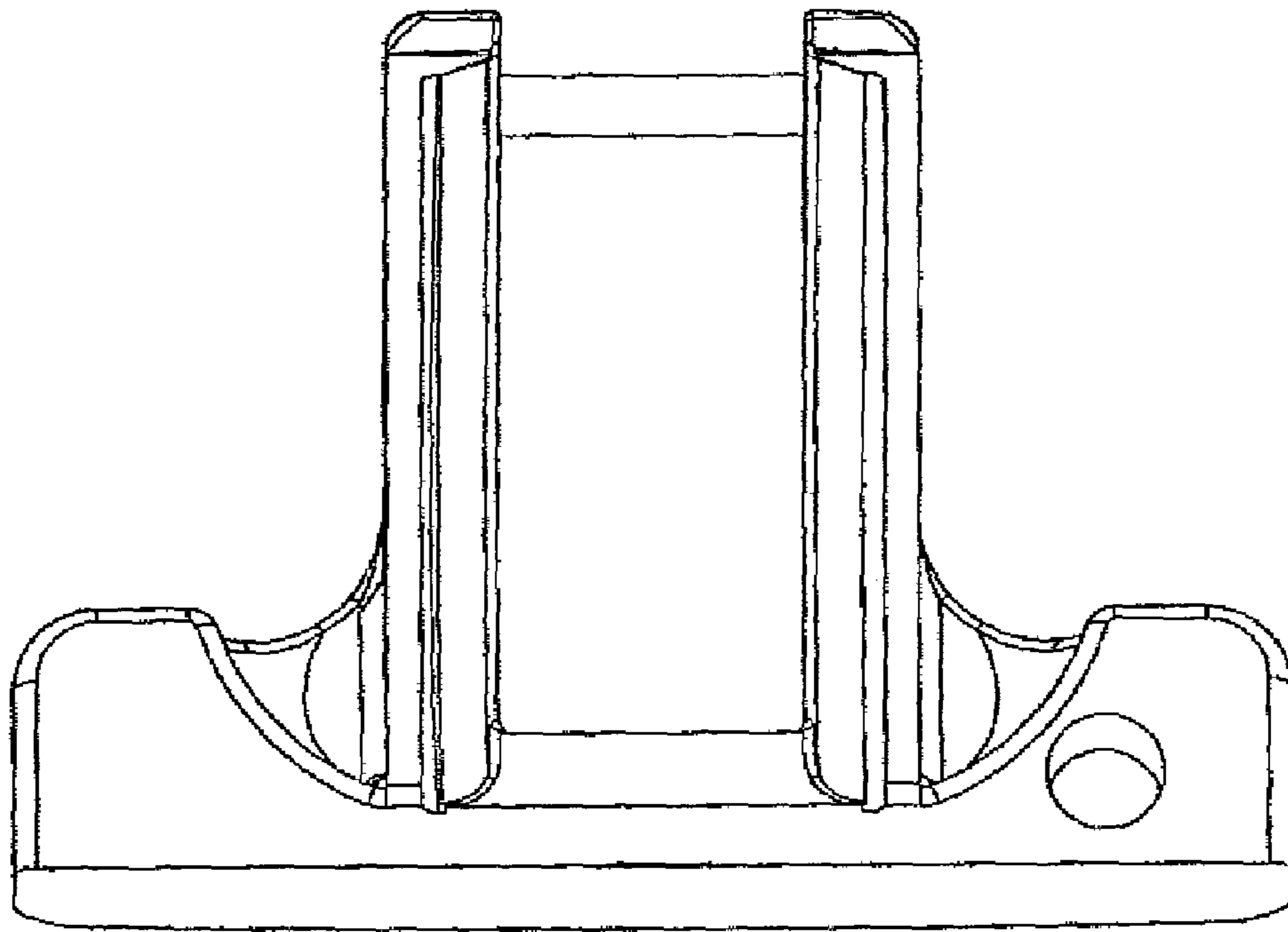


FIGURE 9

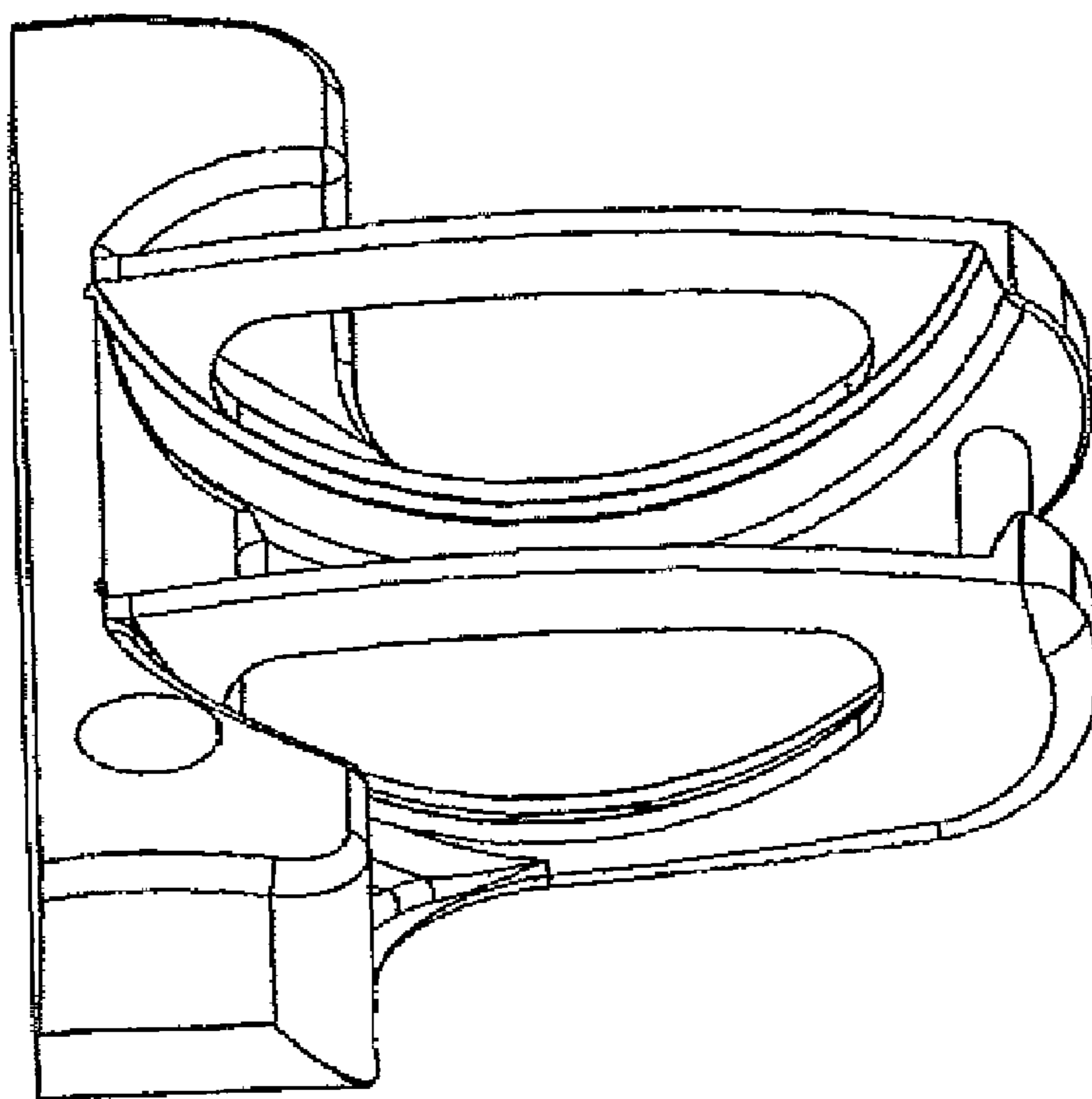


FIGURE 10

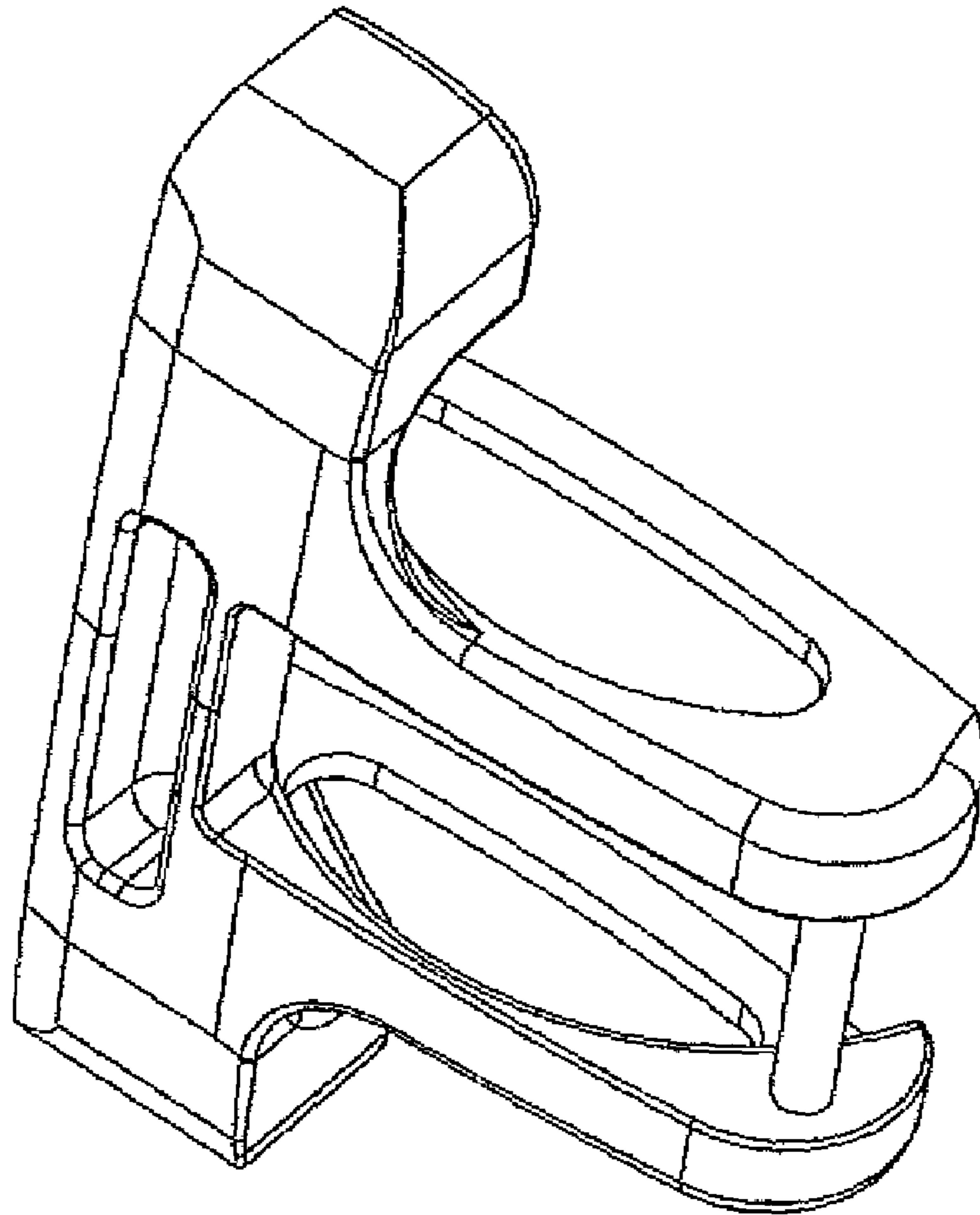


FIGURE 11

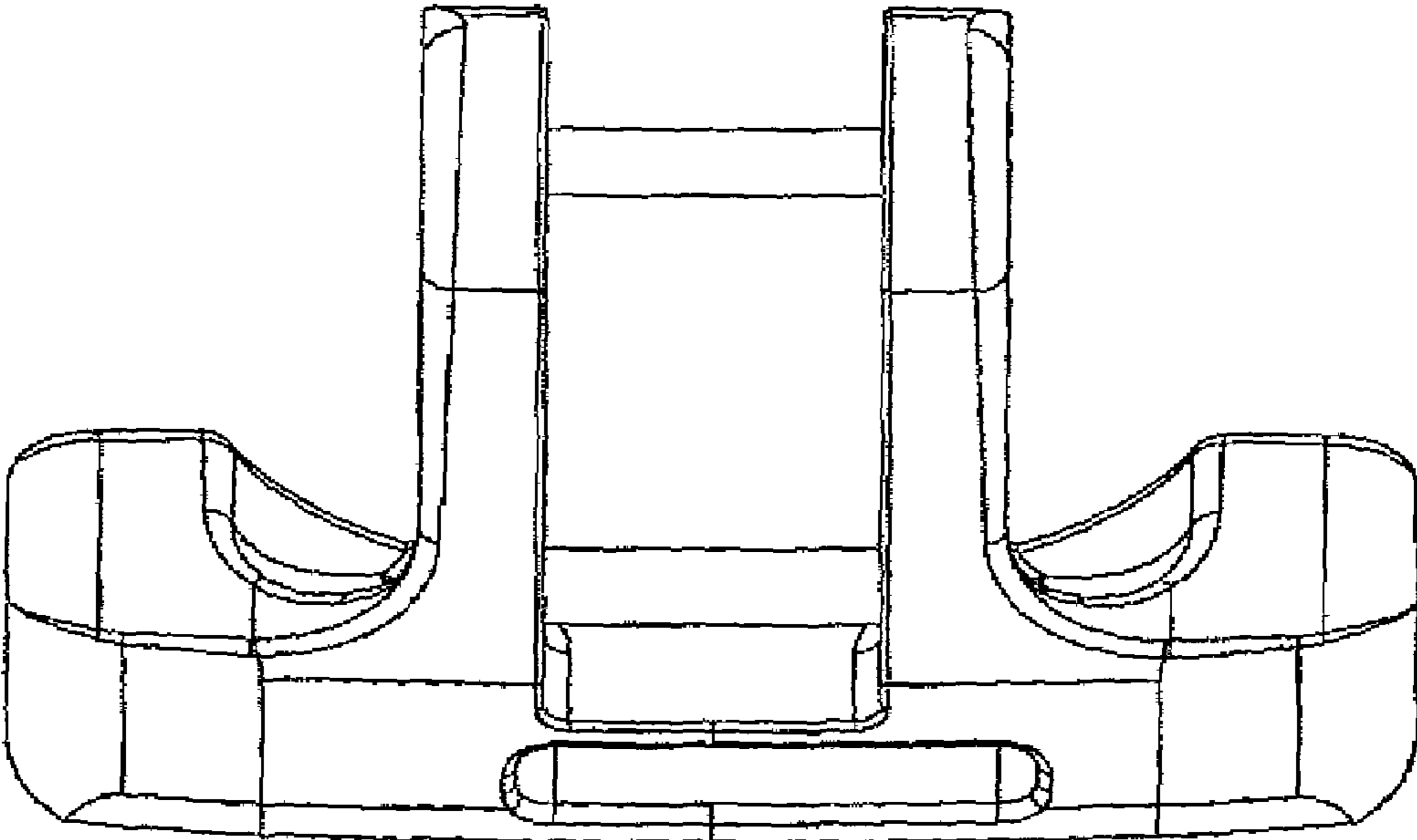


FIGURE 12

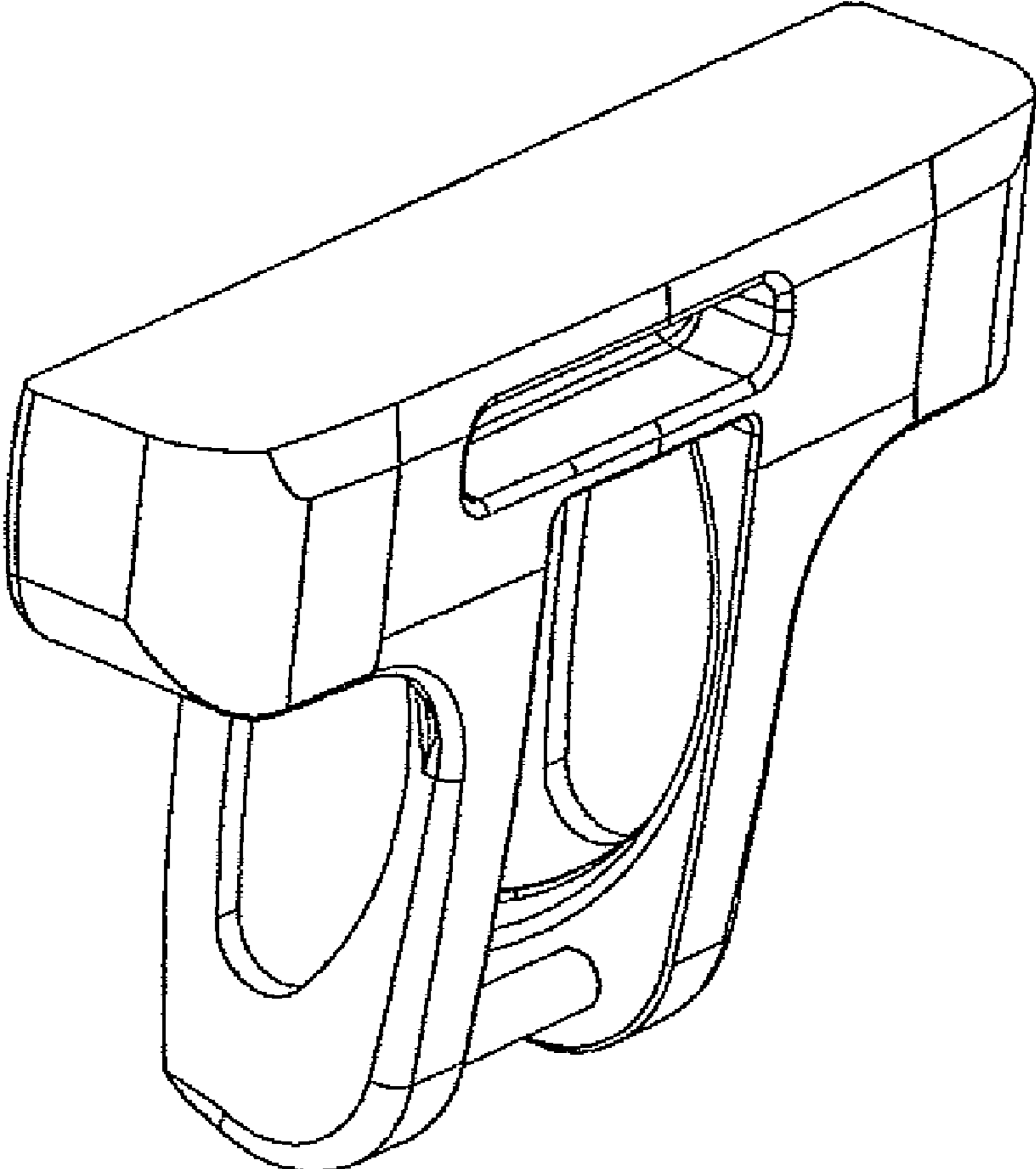


FIGURE 13

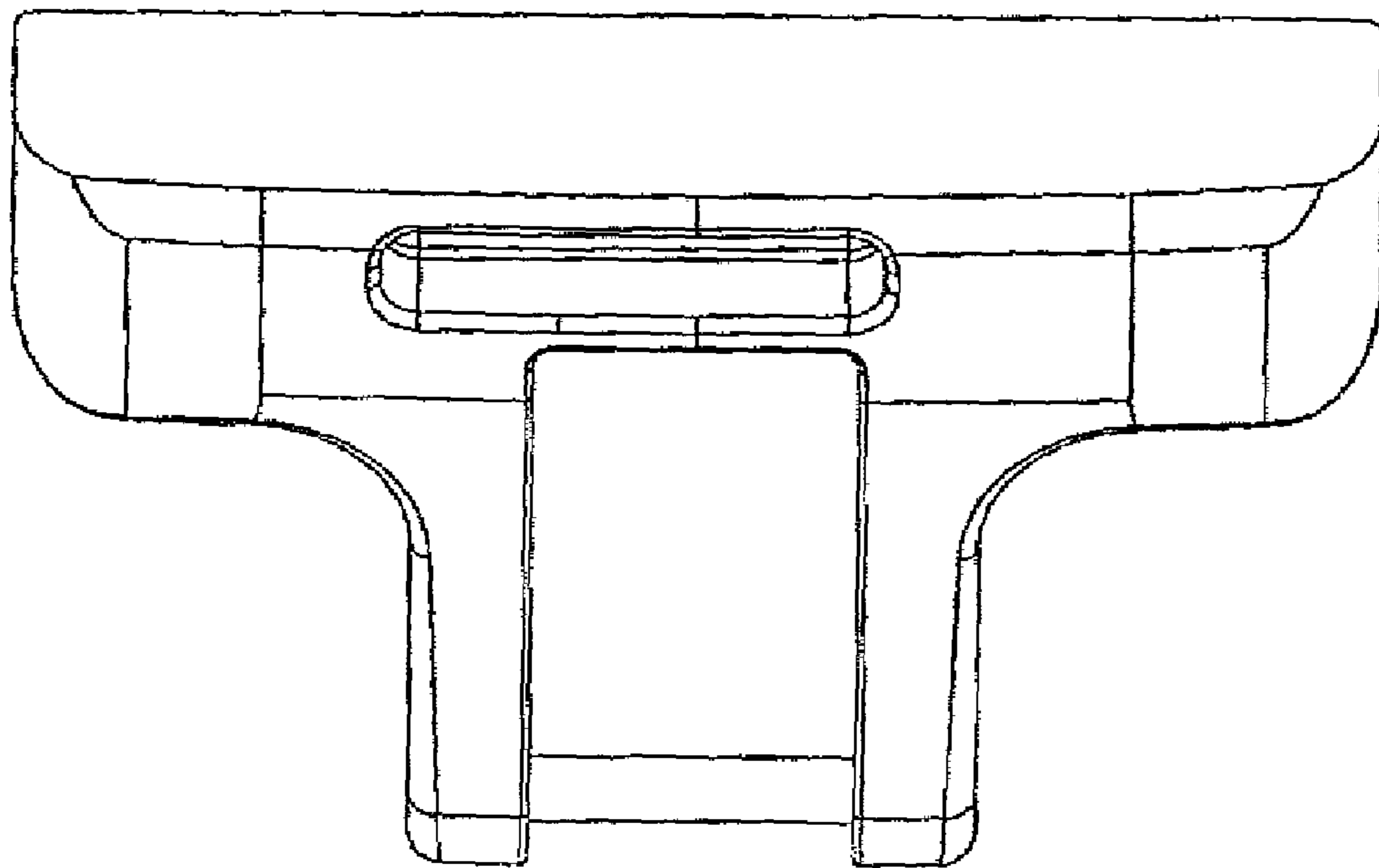


FIGURE 14

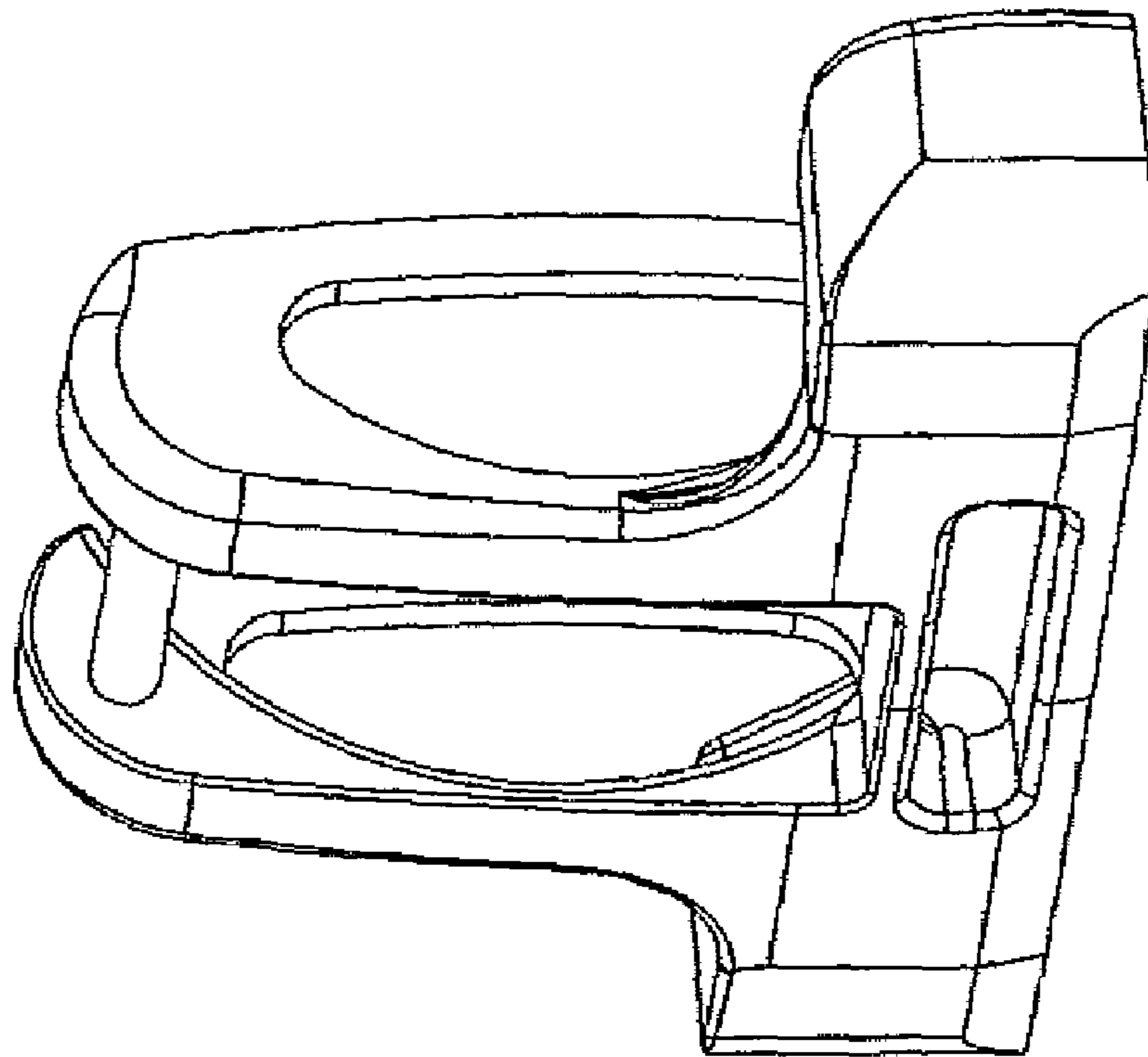


FIGURE 15