



US00D593170S

(12) **United States Design Patent**  
**Craig et al.**

(10) **Patent No.:** **US D593,170 S**

(45) **Date of Patent:** **\*\* May 26, 2009**

(54) **SWIVEL EXERCISE PEDESTAL**

(76) Inventors: **Eric Craig**, Route 4, Box 268-3,  
Muldrow, OK (US) 74948; **Katena**  
**Craig**, Route 4, Box 268-3, Muldrow,  
OK (US) 74948

(\*\*) Term: **14 Years**

(21) Appl. No.: **29/300,913**

(22) Filed: **May 29, 2008**

(51) **LOC (9) Cl.** ..... **21-02**

(52) **U.S. Cl.** ..... **D21/689**

(58) **Field of Classification Search** ..... D21/662,  
D21/686, 688, 689; 482/136, 146; D6/350,  
D6/333; 297/240, 242, 344.26  
See application file for complete search history.

(56) **References Cited**

**U.S. PATENT DOCUMENTS**

4,193,592	A *	3/1980	Bishow	472/14
4,773,709	A *	9/1988	Slinkard	297/188.09
4,936,629	A *	6/1990	Young	297/344.26
5,318,339	A *	6/1994	Cherniak	297/344.26
5,368,535	A	11/1994	Twardokens	
5,549,536	A *	8/1996	Clark	482/146

5,941,807	A	8/1999	Cassidy et al.	
6,015,188	A *	1/2000	Yundt et al.	297/242
6,428,451	B1 *	8/2002	Hall	482/146
6,669,610	B2	12/2003	Slowinski	
6,821,235	B1	11/2004	Johnson	
6,997,512	B1 *	2/2006	Yu	297/344.26
7,159,940	B1 *	1/2007	Atkins	297/242

\* cited by examiner

*Primary Examiner*—Philip S Hyder

(74) *Attorney, Agent, or Firm*—Paul R. Martin

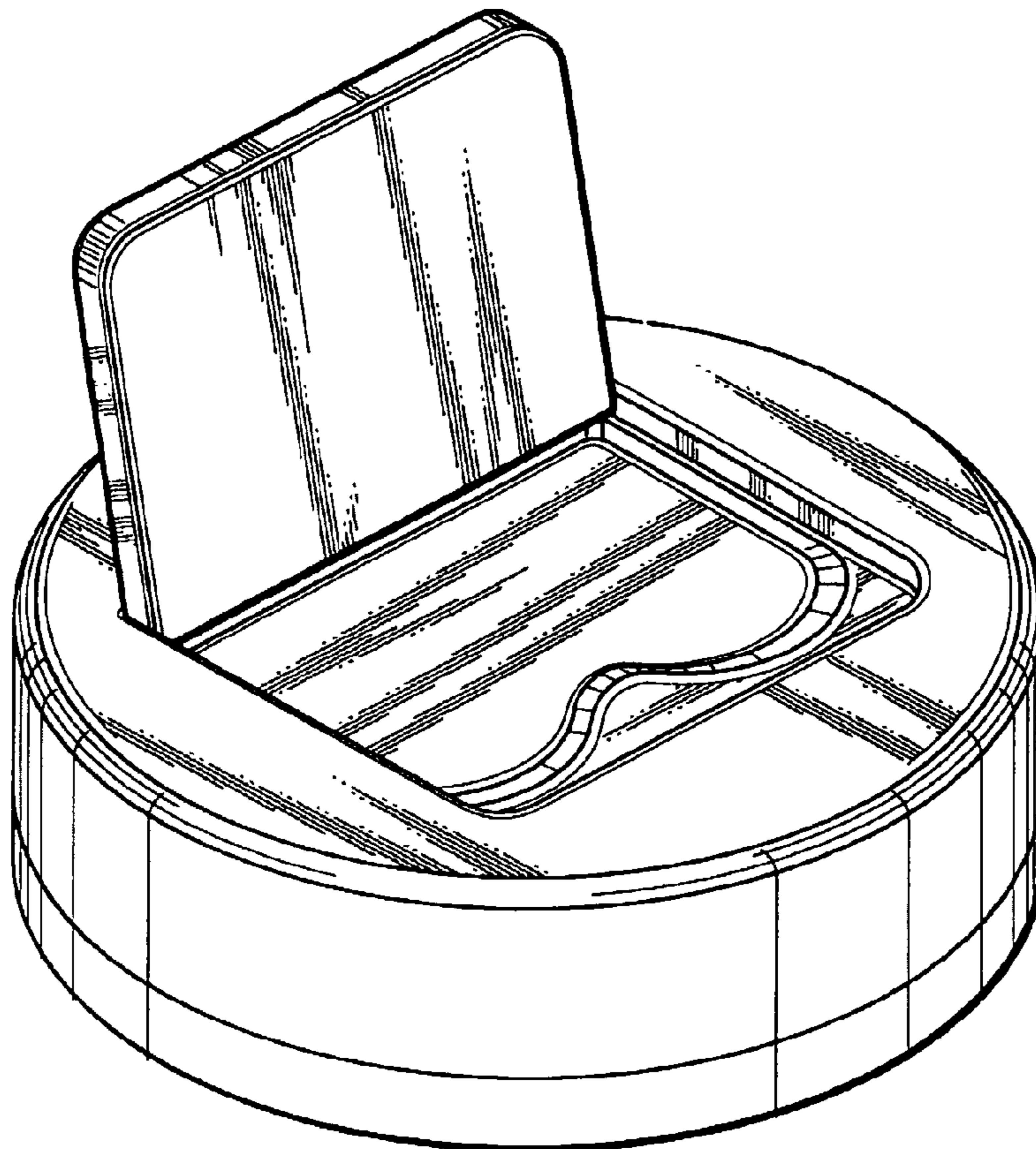
(57) **CLAIM**

The ornamental design for a swivel exercise pedestal, as shown and described.

**DESCRIPTION**

FIG. 1 is a perspective view of our design;  
FIG. 2 is a top view of our design;  
FIG. 3 is a side view of our design, the opposite side view being a mirror image thereof;  
FIG. 4 a front elevational view of our design;  
FIG. 5 is a rear elevational view of our design; and,  
FIG. 6 is a bottom view of our design.

**1 Claim, 3 Drawing Sheets**



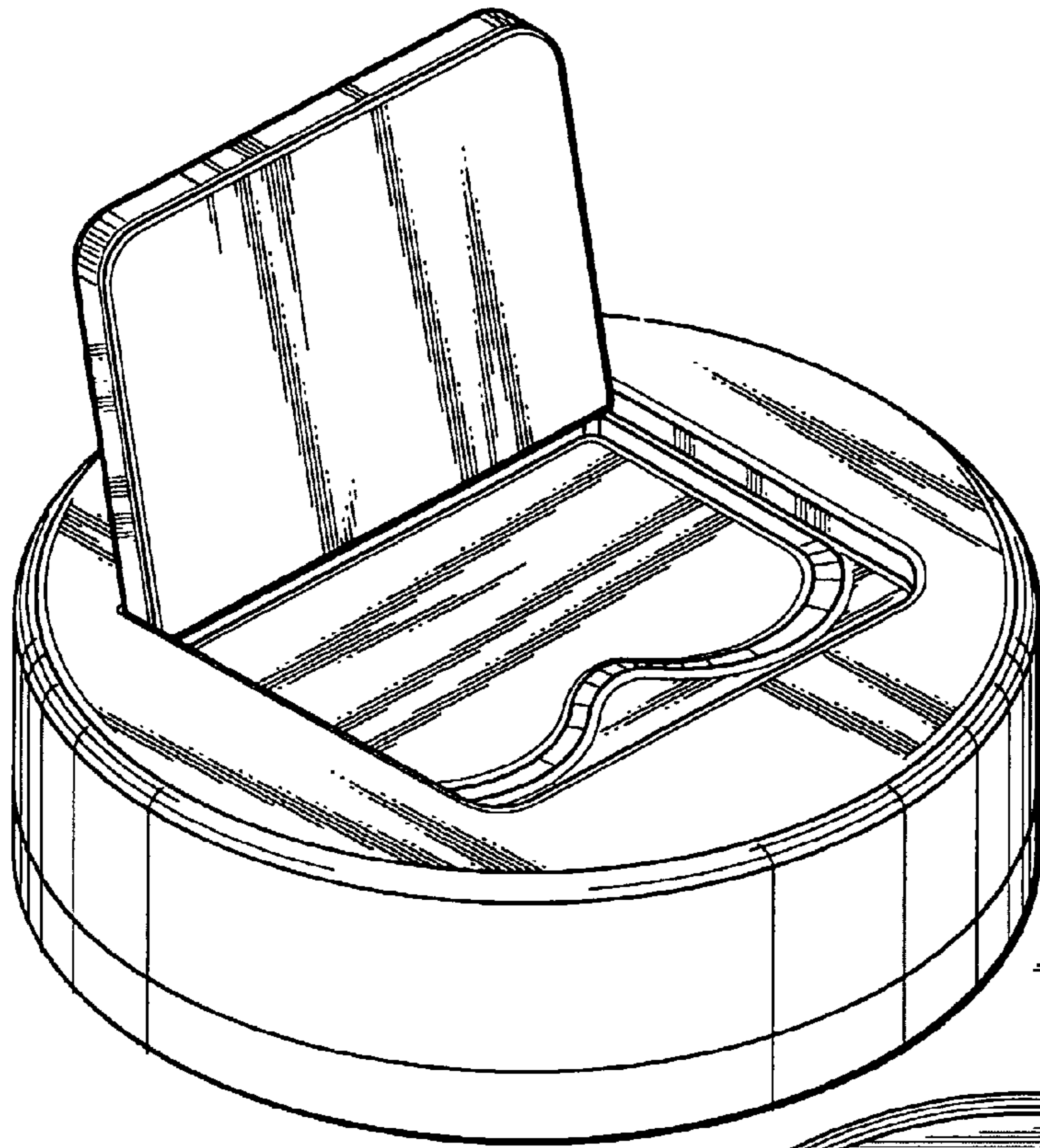


FIG. 1

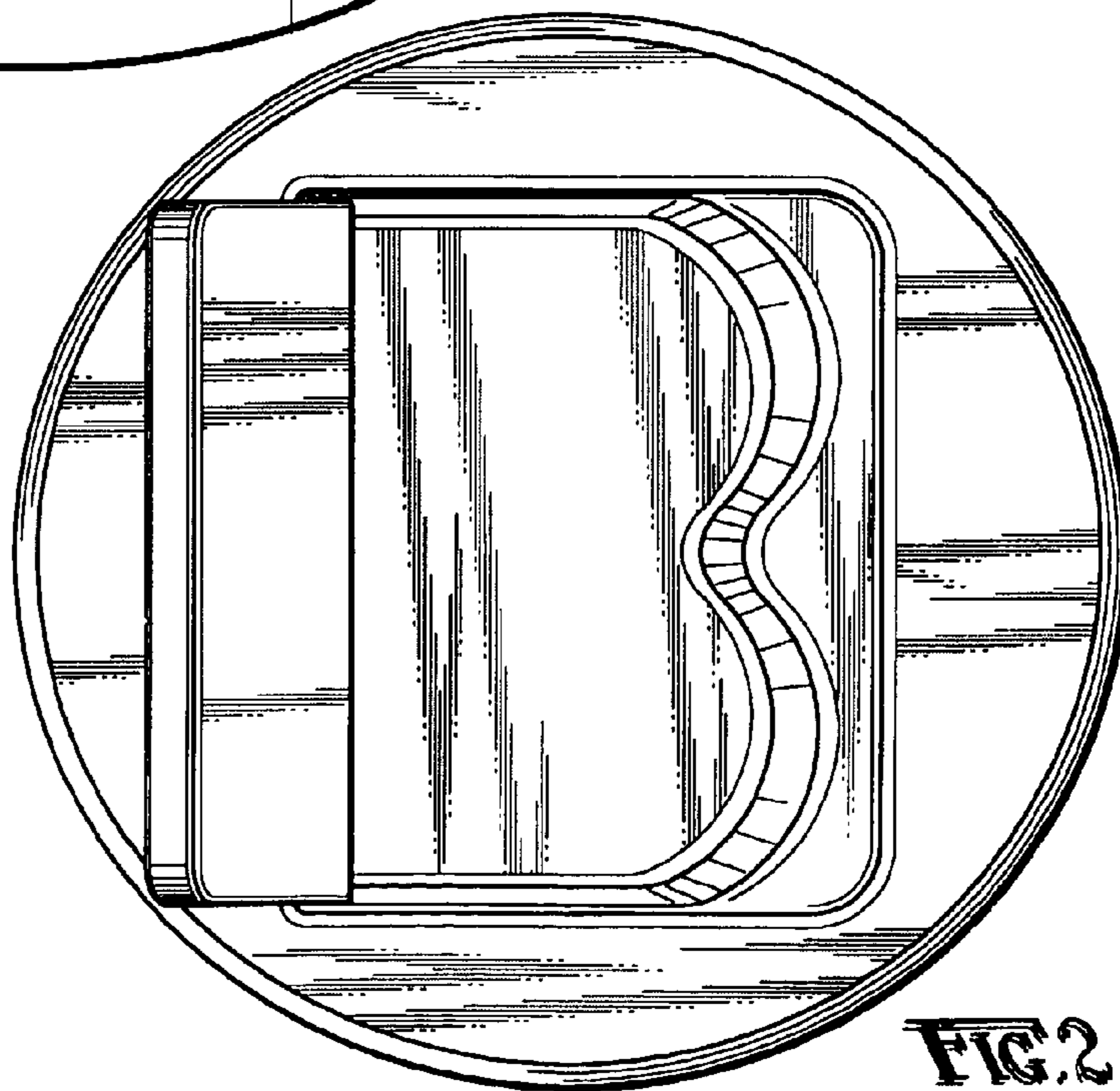


FIG. 2

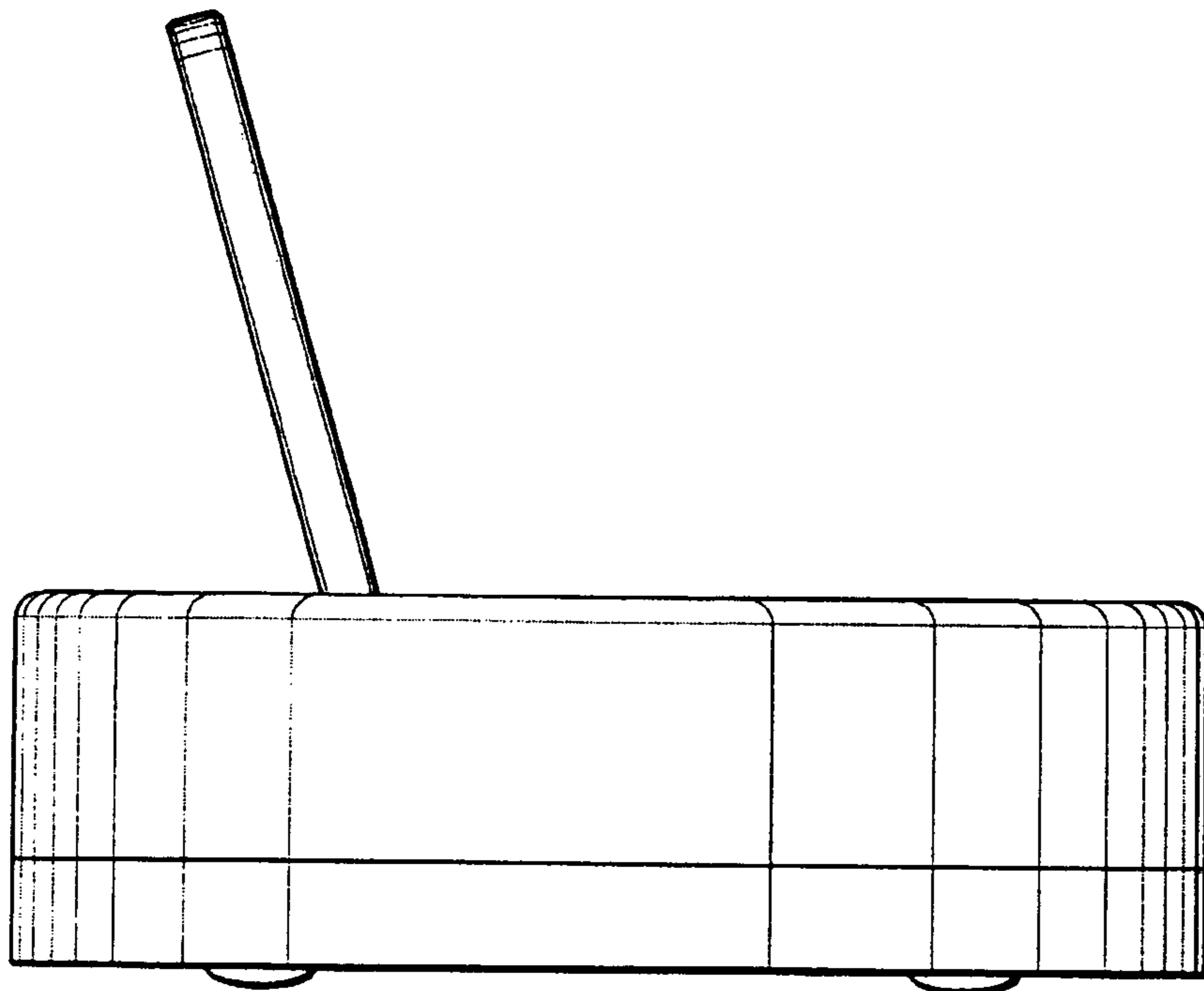


FIG. 3

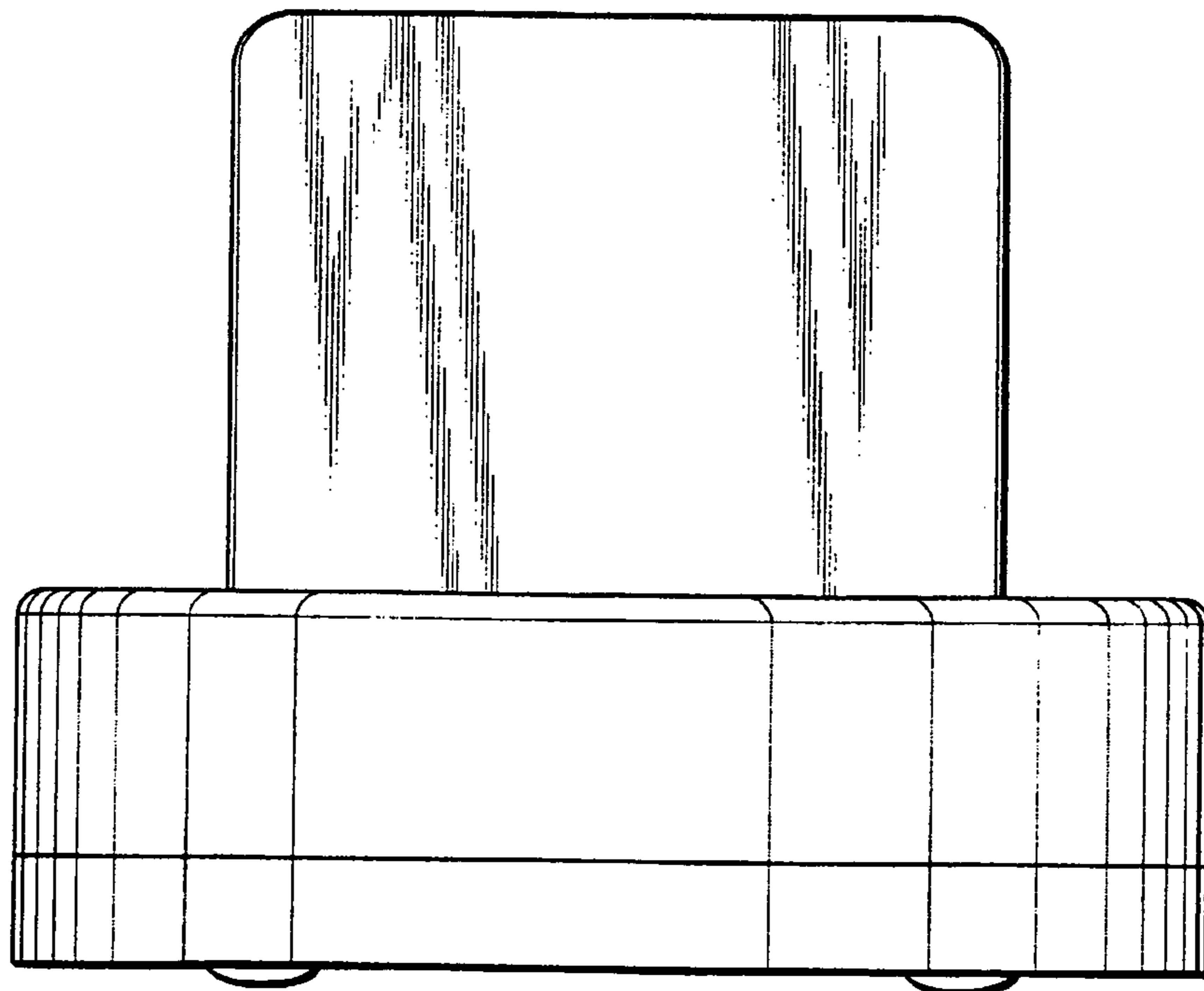


FIG. 4

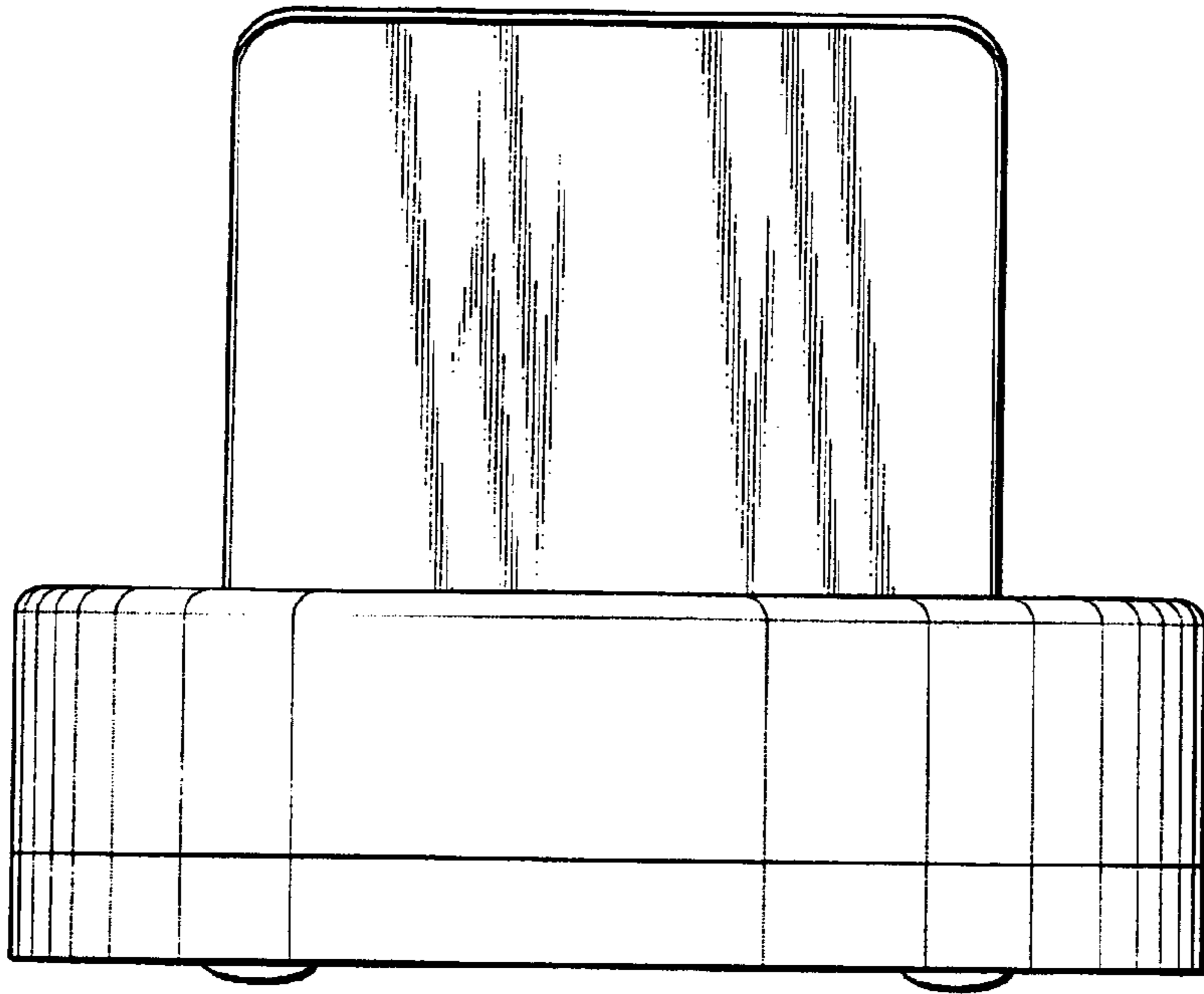


FIG. 5

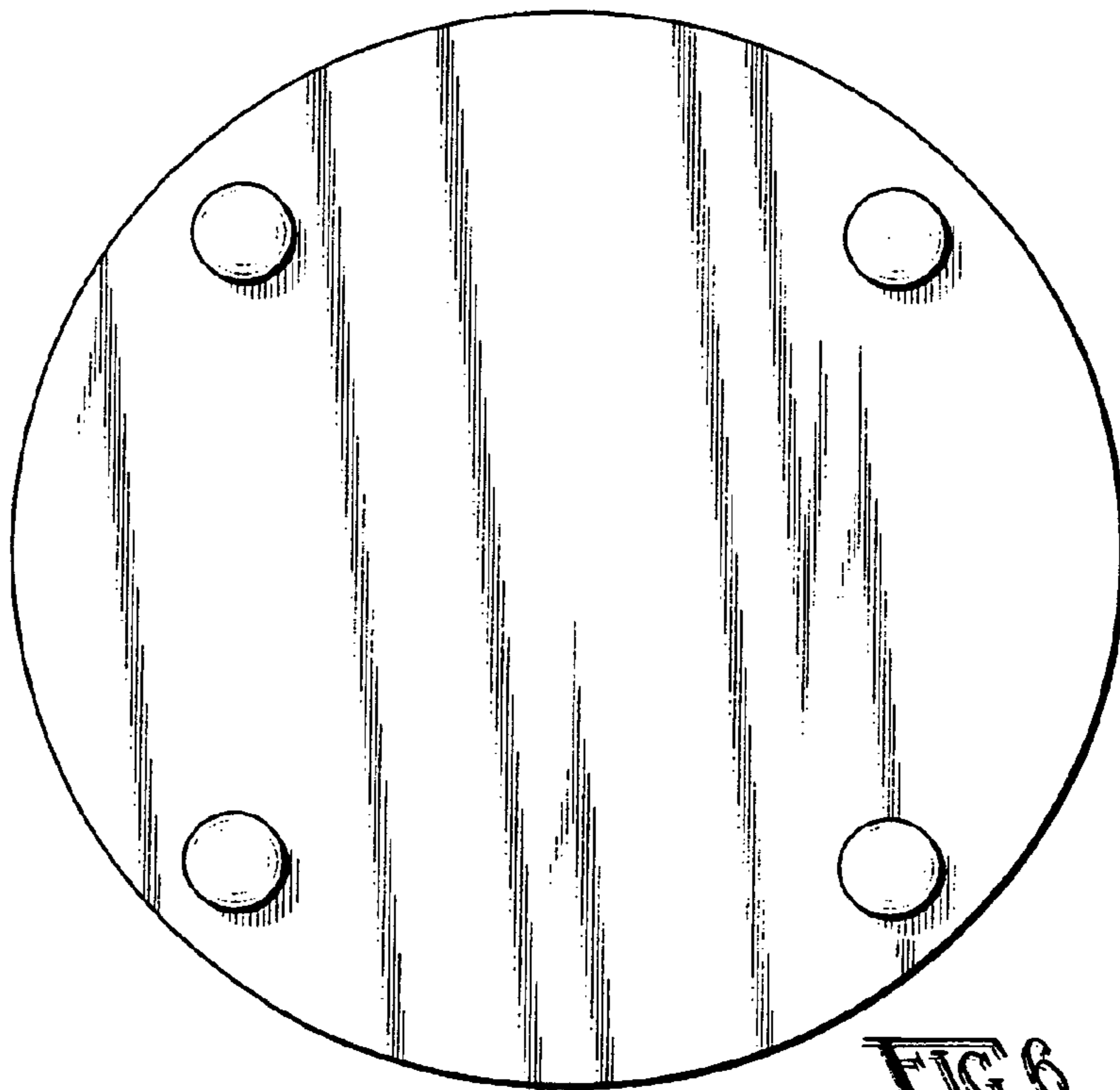


FIG. 6