



US00D593169S

(12) **United States Design Patent**
Storch

(10) **Patent No.:** **US D593,169 S**

(45) **Date of Patent:** **** May 26, 2009**

(54) **PUSH UP TRAINER**

(76) Inventor: **Shimon Storch**, 13 Yair St., Zichron
Yaakov (IL) 30900

(**) Term: **14 Years**

(21) Appl. No.: **29/294,420**

(22) Filed: **Jan. 10, 2008**

(51) **LOC (9) Cl.** **21-02**

(52) **U.S. Cl.** **D21/686; D21/691**

(58) **Field of Classification Search** D21/662,
D21/691, 686, 687, 694; 482/140, 141, 142,
482/91; 211/195, 196, 198, 119.01

See application file for complete search history.

(56) **References Cited**

U.S. PATENT DOCUMENTS

2,666,640	A *	1/1954	Jennings, Sr.	482/141
4,232,863	A *	11/1980	Roach	482/141
D265,575	S *	7/1982	Lunford	D21/691
4,638,995	A *	1/1987	Wilson	482/142
D301,270	S *	5/1989	Levenston	D21/691
D357,827	S *	5/1995	Schultz	D6/462
D371,827	S *	7/1996	Jans	D23/255

5,928,119	A *	7/1999	Dinkel	482/141
5,961,430	A *	10/1999	Zuckerman et al.	482/142
D525,668	S *	7/2006	Payne	D21/691

* cited by examiner

Primary Examiner—Philip S Hyder

(74) *Attorney, Agent, or Firm*—Robert G. Lev

(57) **CLAIM**

The ornamental design for a push up trainer, as shown and described.

DESCRIPTION

FIG. 1 is a front perspective view of the push up trainer, showing the overall new design.

FIG. 2 is a side view of the push up trainer, with a user shown in broken lines.

FIG. 3 is a side view of the push up trainer, with a user shown in broken lines; and,

FIG. 4 is a side view of the push up trainer, with a two additional stacked push up trainers shown in broken lines.

The broken line portions of the disclosure are for environmental purposes only and form no part of the claimed design.

1 Claim, 2 Drawing Sheets

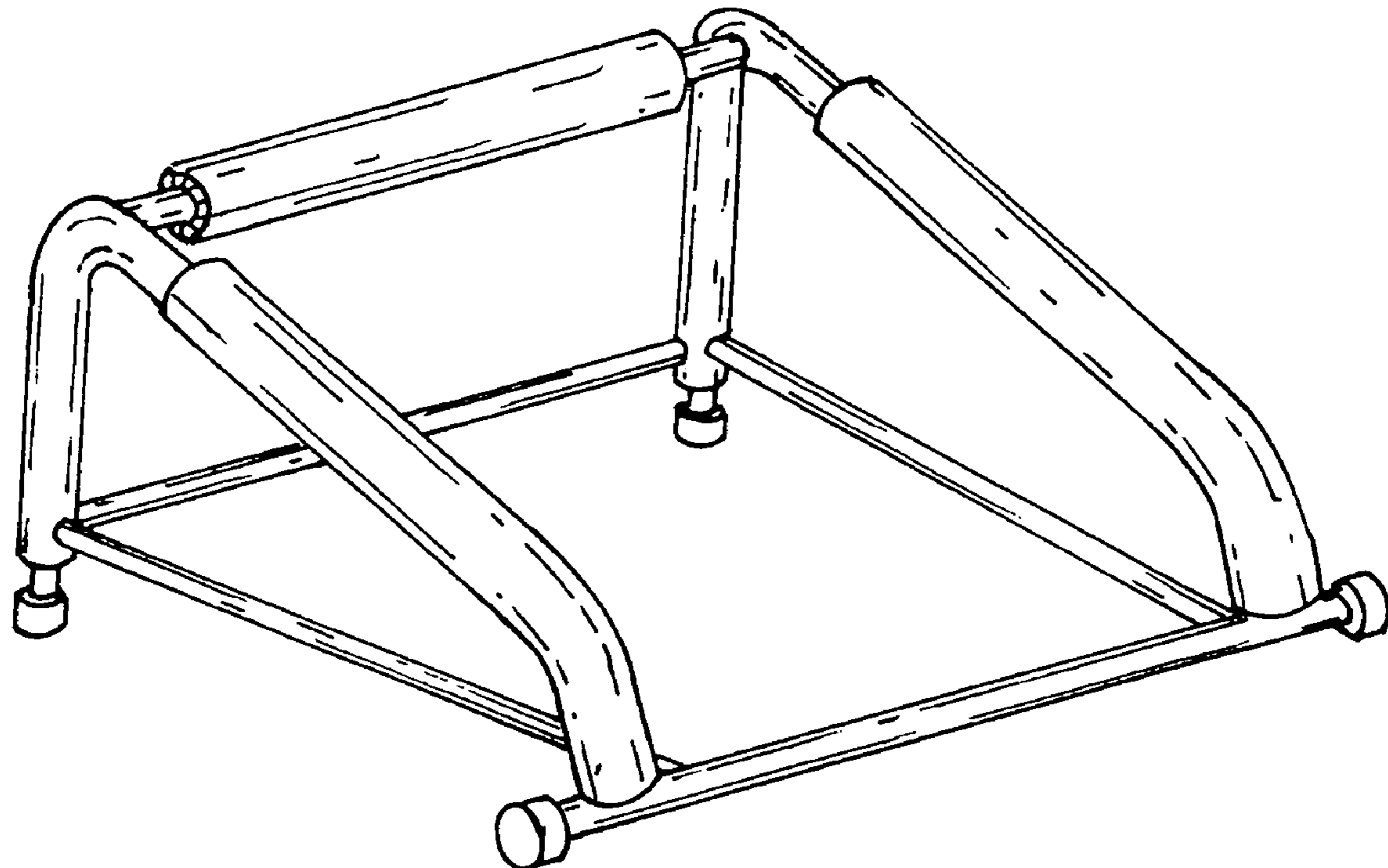


FIG. 1

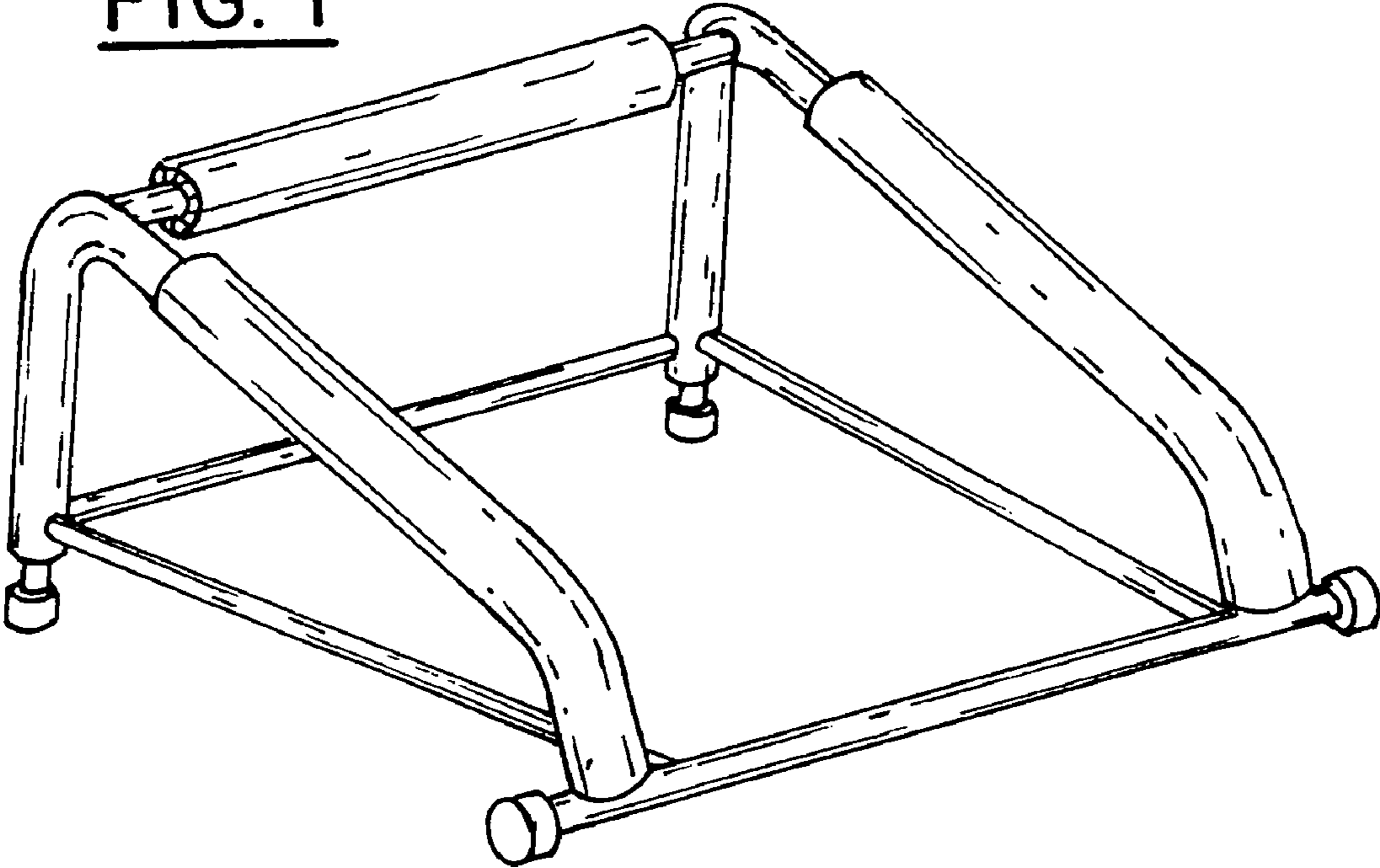


FIG. 2

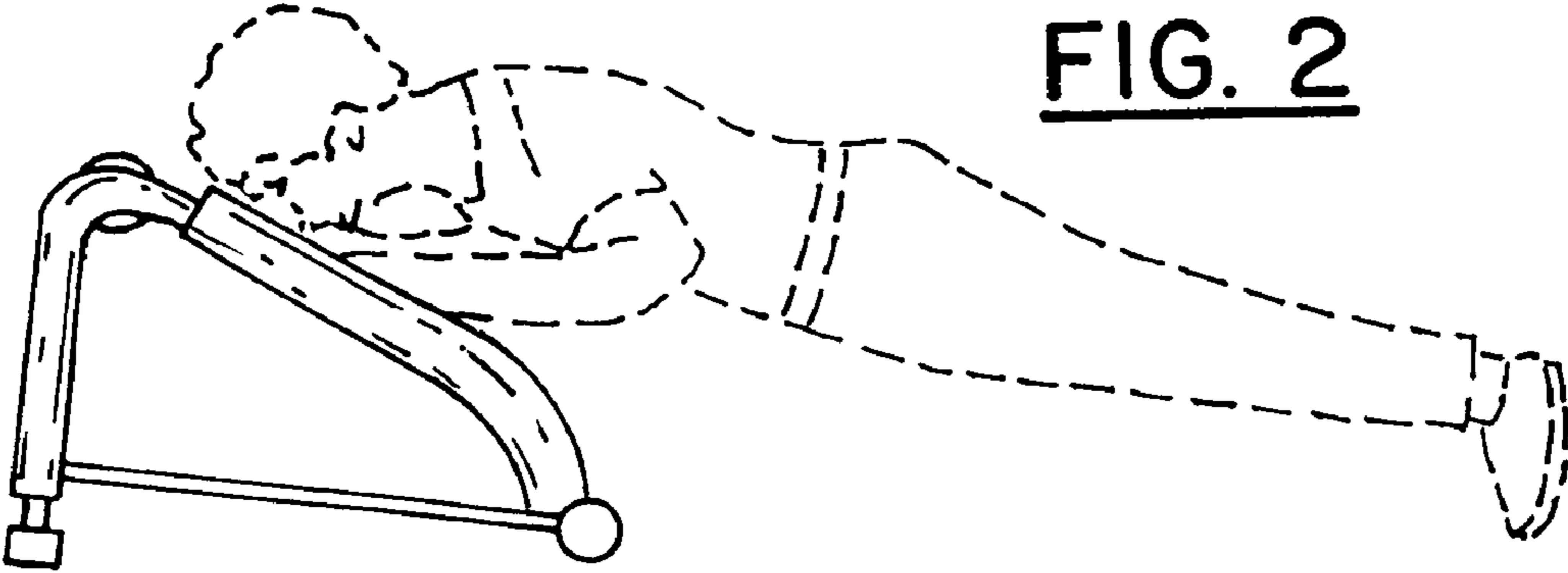


FIG. 3

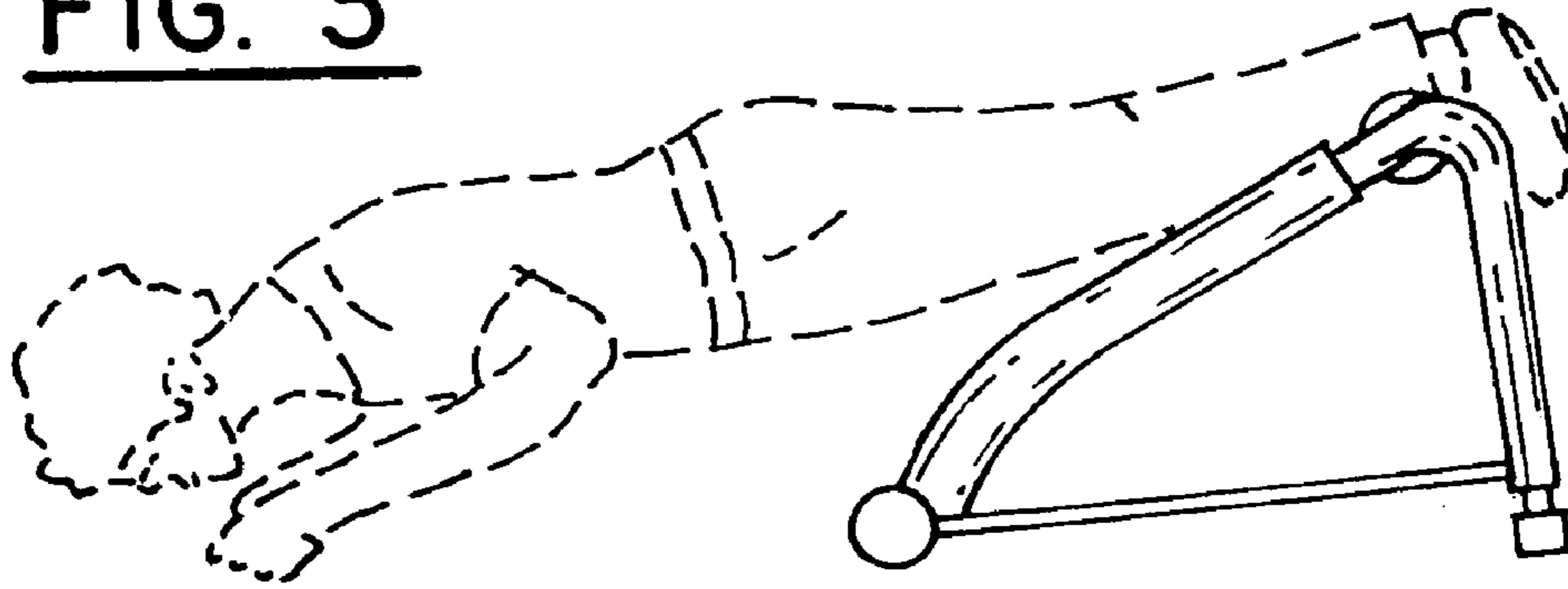


FIG. 4

