



US00D593168S

(12) **United States Design Patent**
Khubani

(10) **Patent No.:** **US D593,168 S**

(45) **Date of Patent:** **** May 26, 2009**

(54) **PUSH UP EXERCISE DEVICE**

(75) Inventor: **Ashok Khubani**, Fairfield, NJ (US)

(73) Assignee: **Ontel Products Corporation**, Fairfield, NJ (US)

(**) Term: **14 Years**

(21) Appl. No.: **29/308,404**

(22) Filed: **Jun. 16, 2008**

(51) **LOC (9) Cl.** **21-02**

(52) **U.S. Cl.** **D21/662**

(58) **Field of Classification Search** D21/662,
D21/686; 482/91, 92, 95, 96, 141, 148; D8/14,
D8/90

See application file for complete search history.

(56) **References Cited**

U.S. PATENT DOCUMENTS

4,351,525	A *	9/1982	Rozenblad	482/141
4,768,778	A *	9/1988	Thomas, Jr.	482/141
5,358,463	A *	10/1994	Fuentes	482/141
D364,902	S *	12/1995	Fleming	D21/686
5,632,707	A *	5/1997	Daniel et al.	482/8
6,471,623	B1 *	10/2002	Lin	482/141
D479,289	S *	9/2003	Turner	D21/662
D523,497	S *	6/2006	Johnson et al.	D21/727
D525,508	S *	7/2006	Leonard, II	D8/90
D576,693	S *	9/2008	Khubani	D21/686

D579,503	S *	10/2008	Hauser et al.	D21/662
2006/0014615	A1 *	1/2006	Godbold	482/141
2006/0035771	A1 *	2/2006	Gant	482/141

* cited by examiner

Primary Examiner—Philip S Hyder

(74) *Attorney, Agent, or Firm*—Robert L. Epstein; Epstein Drangel Bazerman & James, LLP

(57) **CLAIM**

The ornamental design for a push up exercise device, substantially as shown and described.

DESCRIPTION

FIG. 1 is an isometric view of the push up exercise device;

FIG. 2 is an elevation view of the push up exercise device showing one side thereof, the other side being the mirror image thereof;

FIG. 3 is an elevation view of the push up exercise device showing one end thereof, the other end being the mirror image thereof;

FIG. 4 is an elevation view showing the bottom of the push up exercise device; and,

FIG. 5 is an elevation view showing the top of the push up exercise device.

The broken lines in FIG. 4 illustrate unclaimed portions of the design.

1 Claim, 5 Drawing Sheets

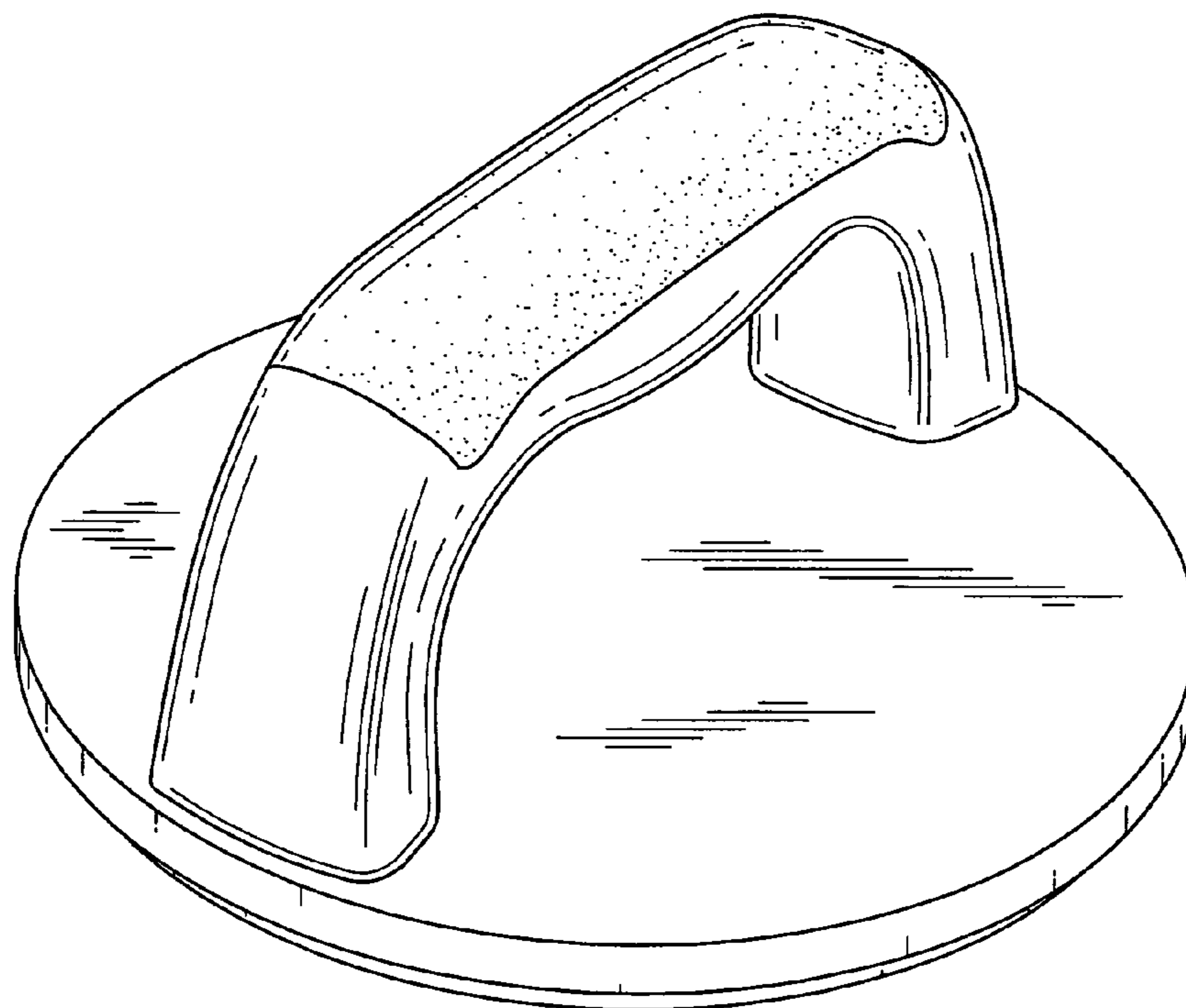


FIG. 1

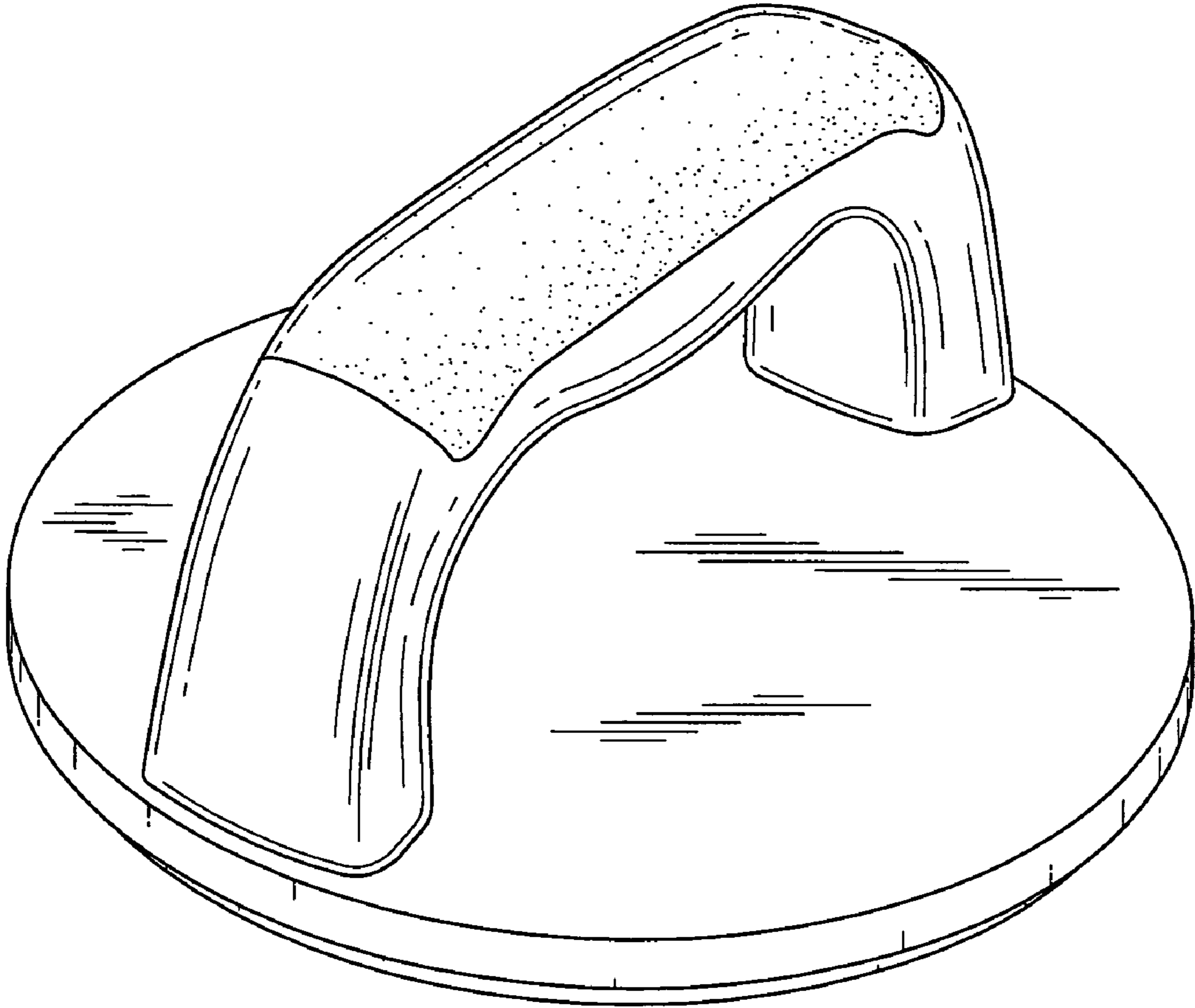


FIG. 2

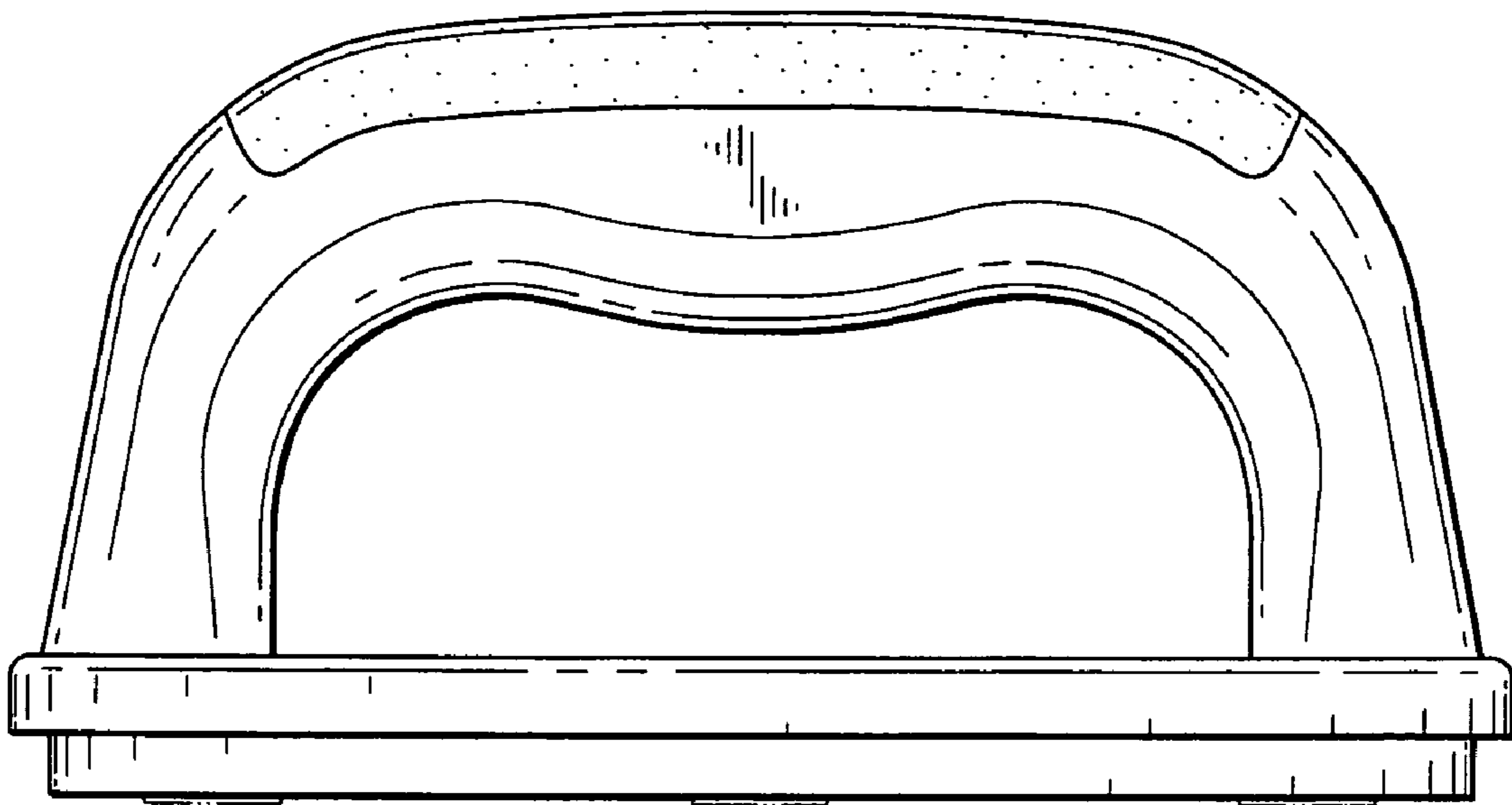


FIG. 3

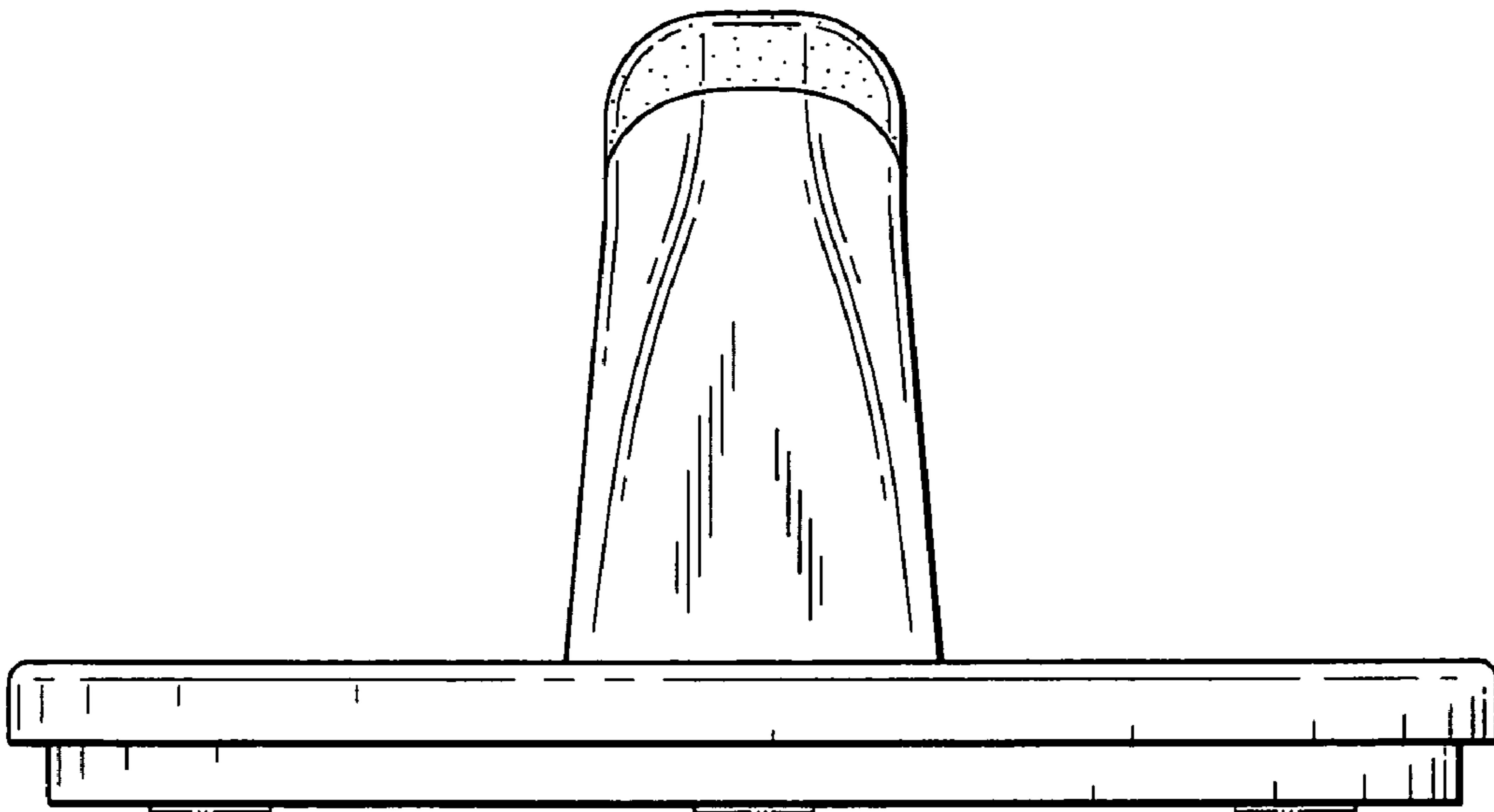


FIG. 4

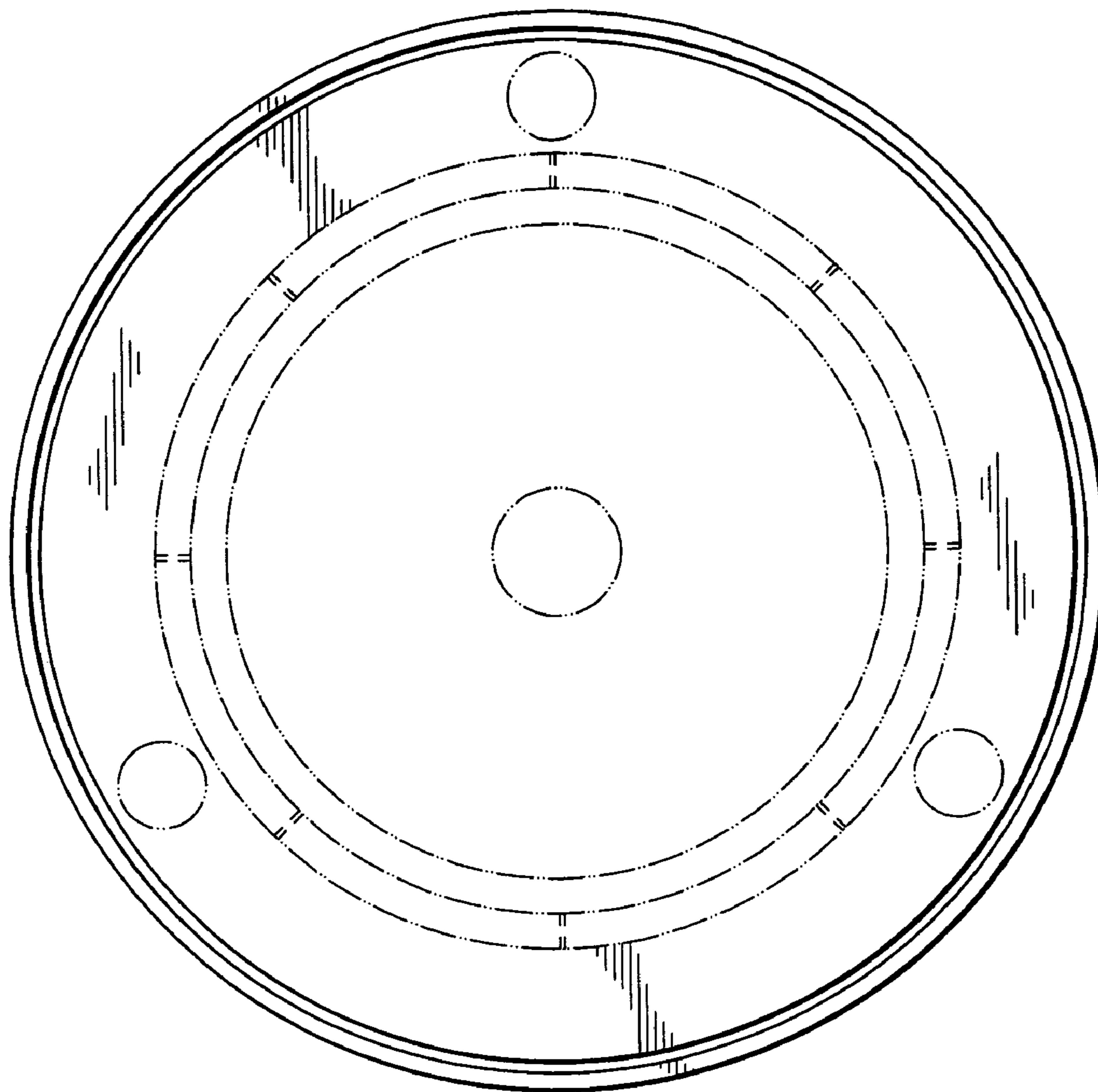


FIG. 5

