



US00D593164S

(12) **United States Design Patent**
Sonoda

(10) **Patent No.:** **US D593,164 S**

(45) **Date of Patent:** **** May 26, 2009**

(54) **ROBOT TOY**

(75) Inventor: **Fumiaki Sonoda**, Tokyo (JP)

(73) Assignee: **Tomy Company, Ltd.**, Tokyo (JP)

(**) Term: **14 Years**

(21) Appl. No.: **29/287,303**

(22) Filed: **Jul. 20, 2007**

(30) **Foreign Application Priority Data**

Jan. 22, 2007 (JP) 2007-001043

(51) **LOC (9) Cl.** **21-01**

(52) **U.S. Cl.** **D21/578**

(58) **Field of Classification Search** D21/578-583,
D21/621, 622; 446/266, 384; D15/199
See application file for complete search history.

(56) **References Cited**

U.S. PATENT DOCUMENTS

D272,933 S * 3/1984 Murakami D21/578
D293,596 S * 1/1988 Hang D21/578
D306,618 S * 3/1990 Doi D21/578
D306,622 S * 3/1990 Doi D21/578
5,913,706 A * 6/1999 Glickman et al. 446/97

D453,199 S * 1/2002 Sawai et al. D21/578
D460,131 S * 7/2002 Koshiishi D21/578
D474,514 S * 5/2003 Price et al. D21/594
D536,044 S * 1/2007 Ban D21/578
2005/0162117 A1 * 7/2005 Iribe et al. 318/568.12

* cited by examiner

Primary Examiner—Janice E Seeger

Assistant Examiner—Zenja I Bennett

(74) *Attorney, Agent, or Firm*—Staas & Halsey LLP

(57) **CLAIM**

The ornamental design for a robot toy, as shown and described.

DESCRIPTION

FIG. 1 is a front view of the robot toy showing the design;

FIG. 2 is a rear view thereof;

FIG. 3 is a left side view thereof;

FIG. 4 is a right side view thereof;

FIG. 5 is a top plan view thereof;

FIG. 6 is a bottom plan view thereof;

FIG. 7 is a front perspective view thereof; and,

FIG. 8 is a rear perspective view thereof.

1 Claim, 5 Drawing Sheets

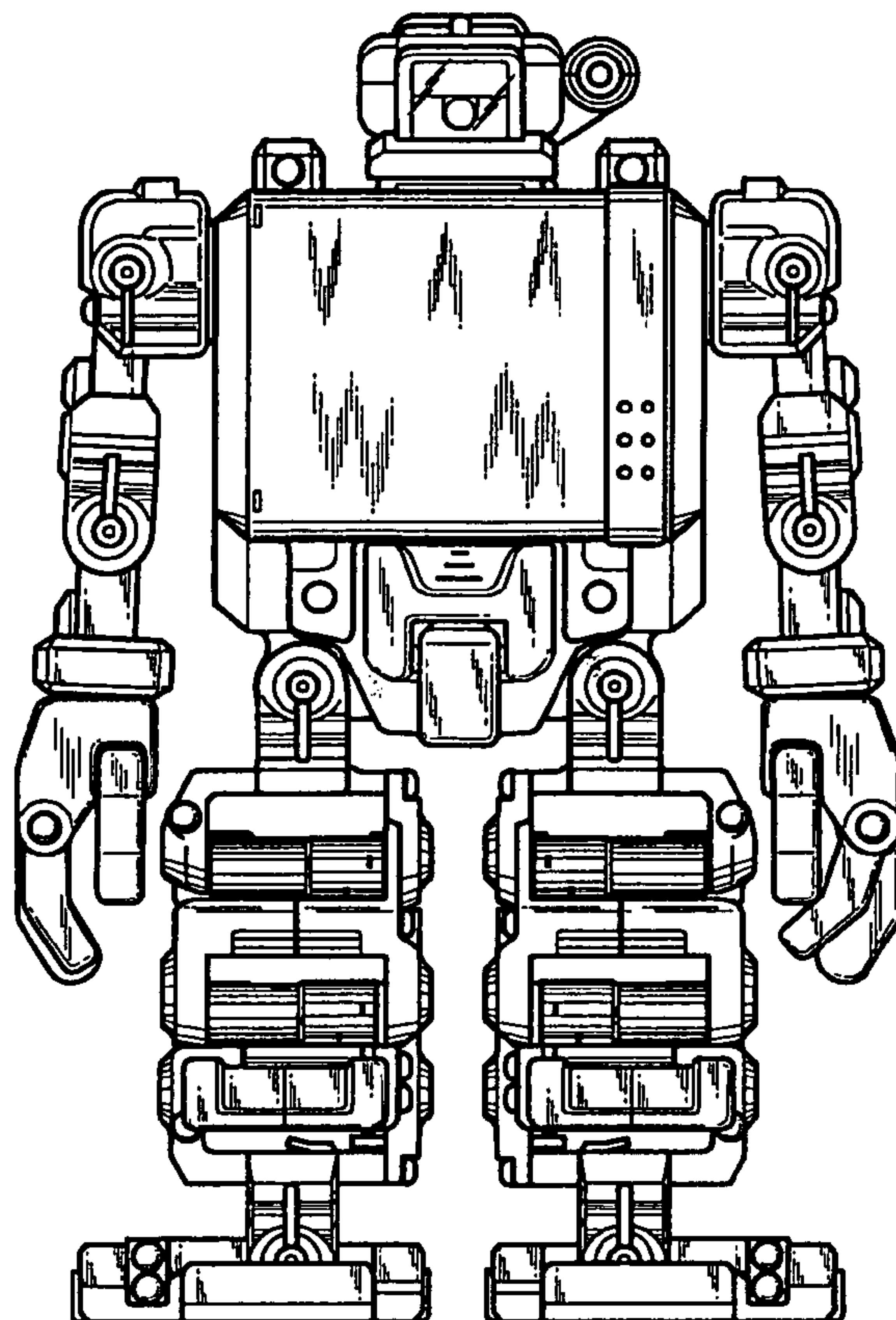


FIG 1

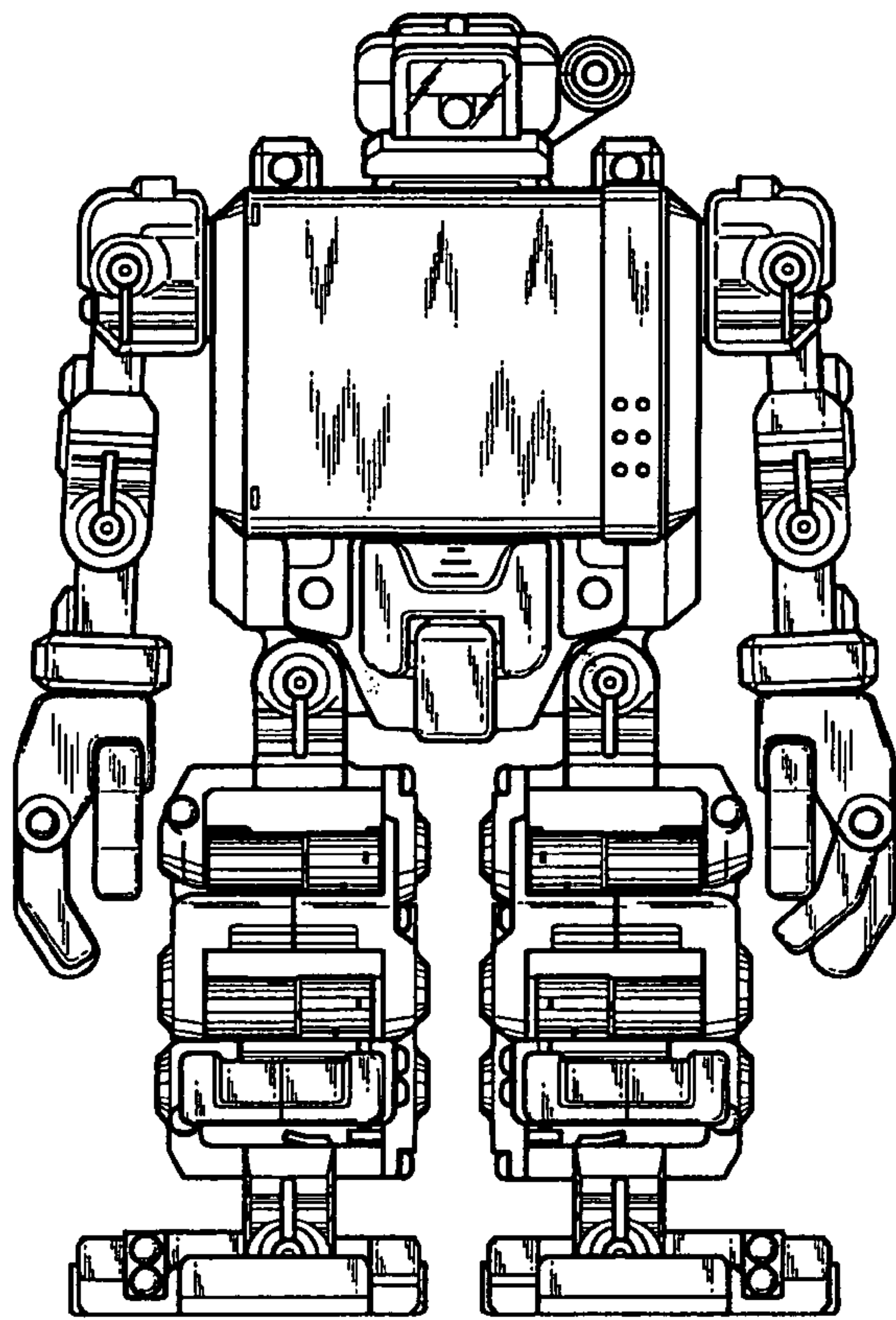


FIG 2

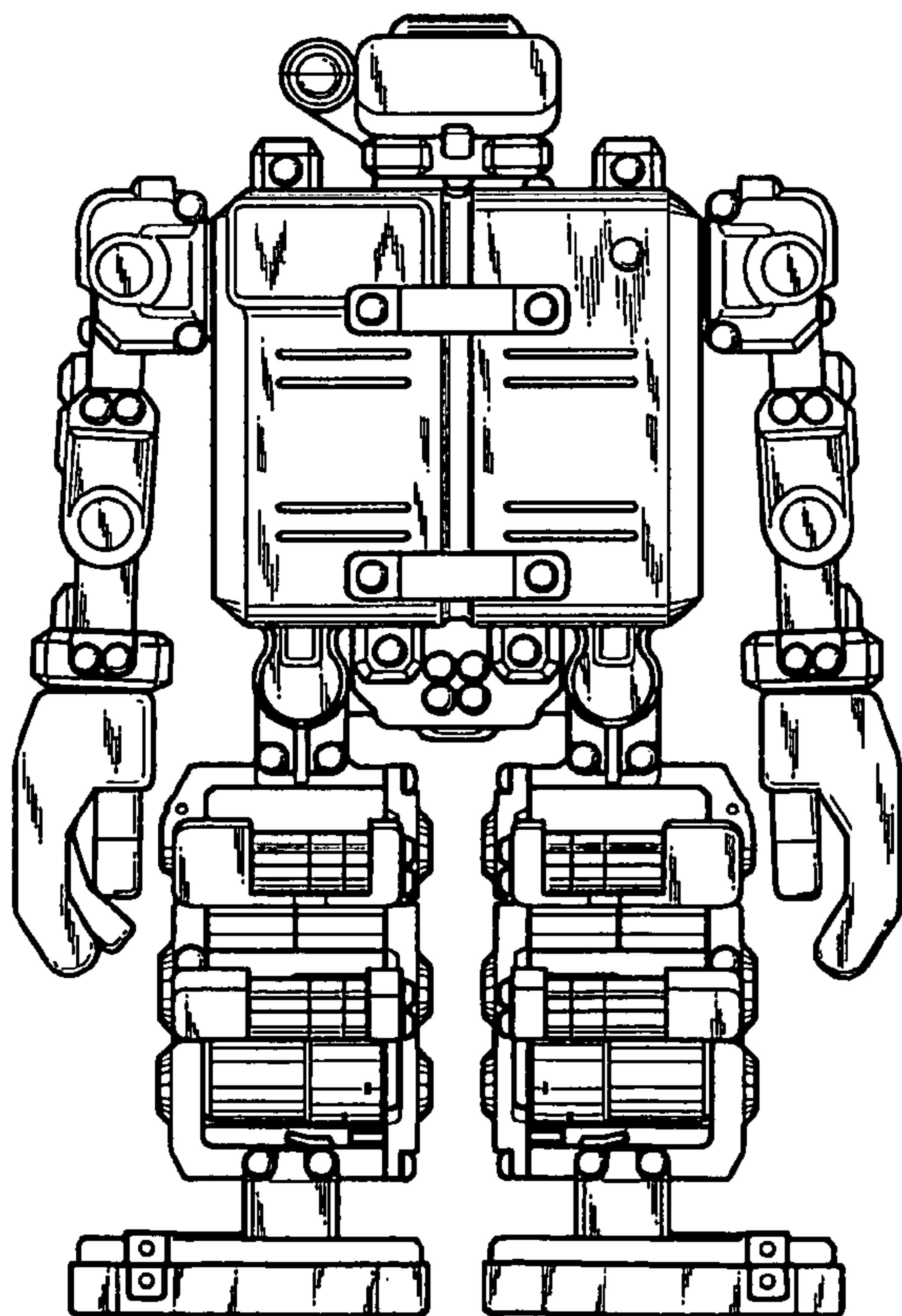


FIG. 3

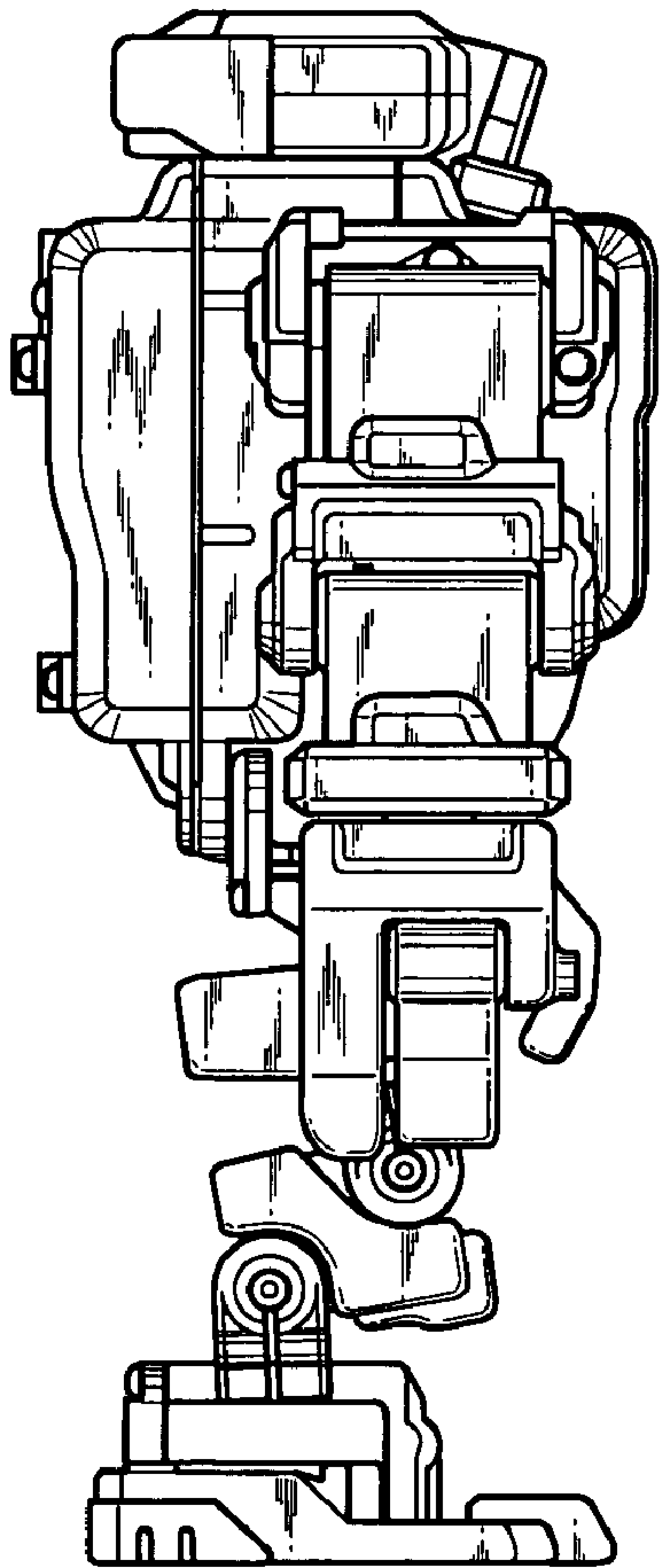


FIG. 4

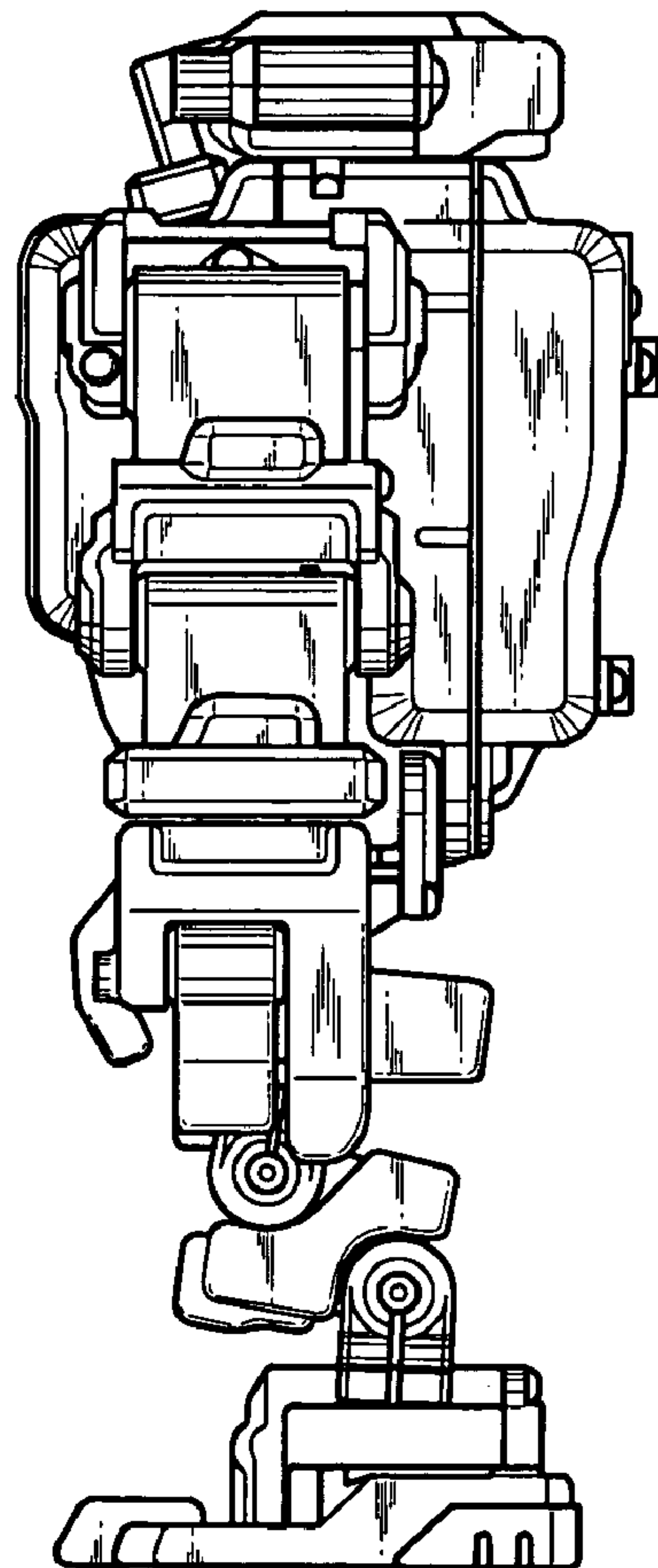


FIG. 5

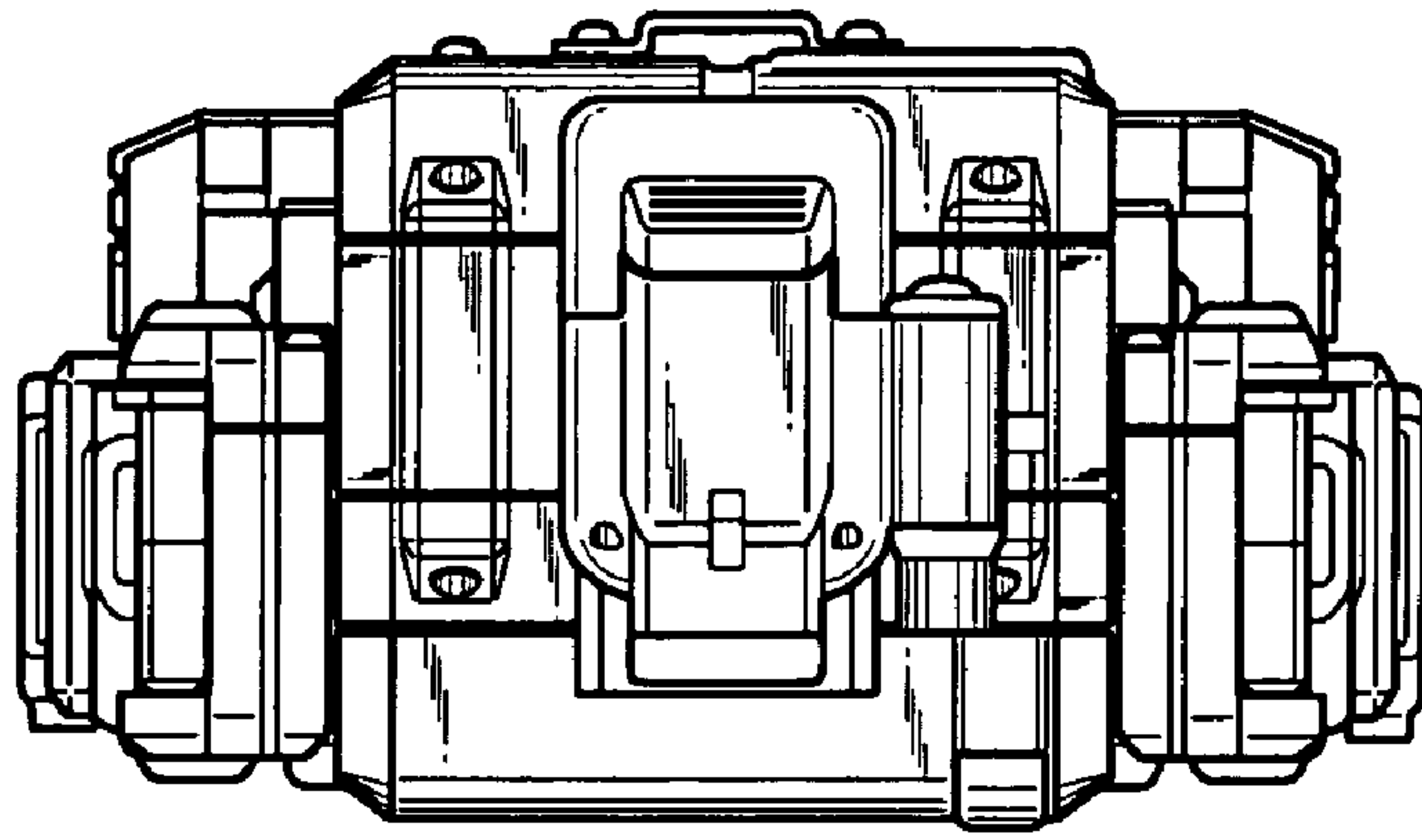


FIG. 6

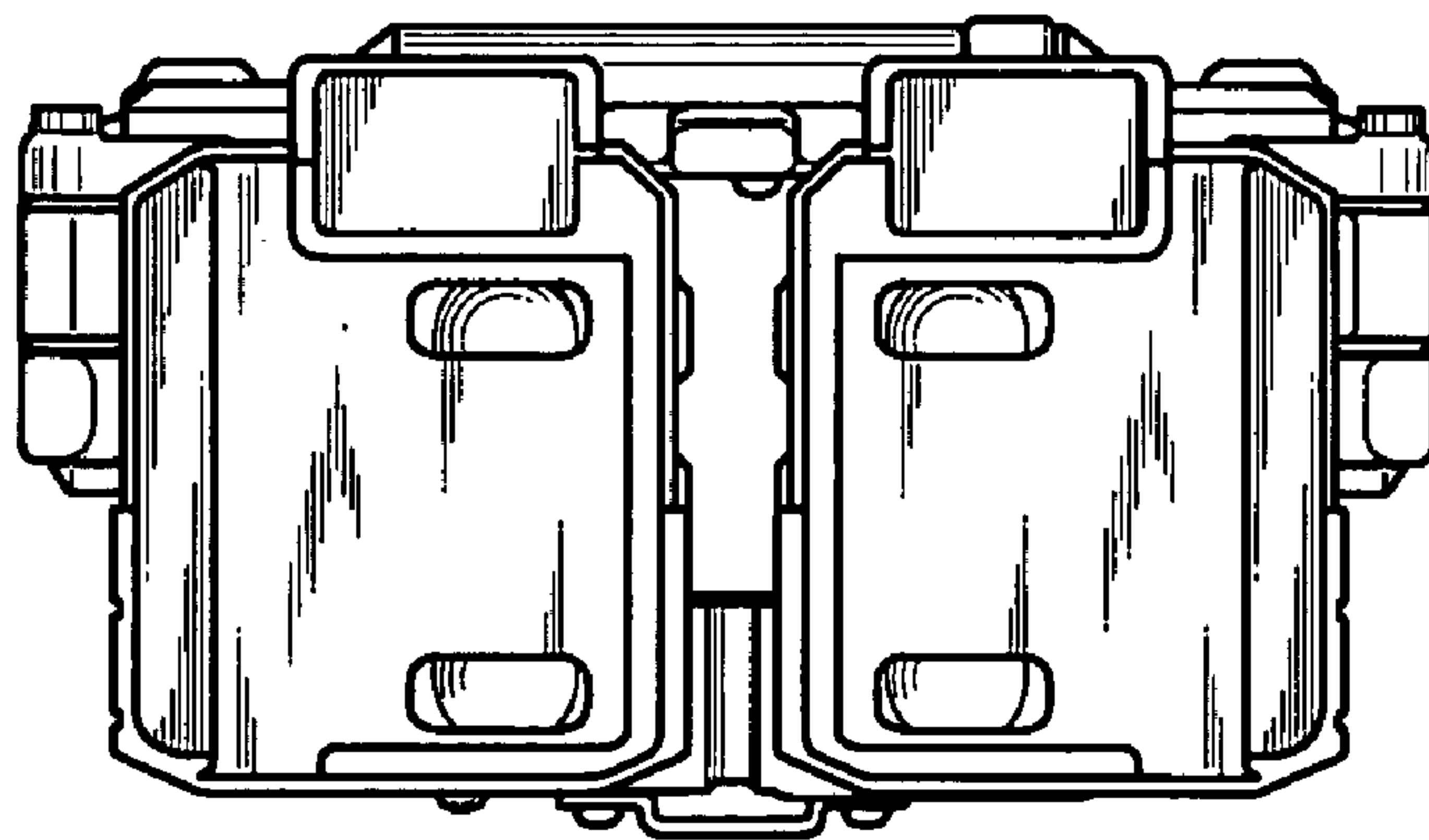


FIG 7

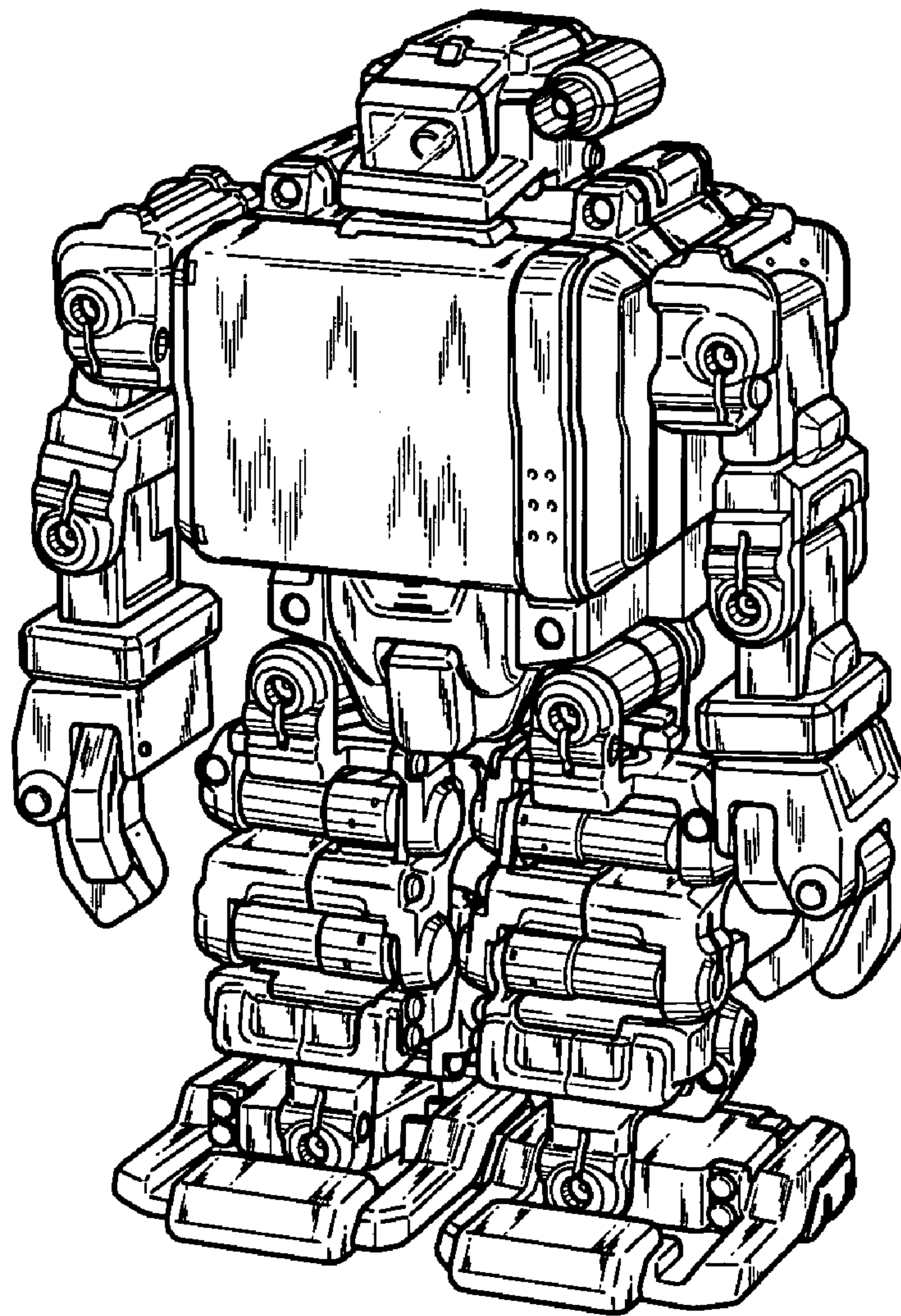


FIG 8

