

US00D593162S

(12) **United States Design Patent**  
**Sanchez**

(10) **Patent No.:** **US D593,162 S**

(45) **Date of Patent:** **\*\* May 26, 2009**

(54) **CASINO TABLE SERVICE DISPLAY**

(76) Inventor: **Edwin Sanchez**, 170 E. Broadway,  
Atwater, CA (US) 95349

(\*\*) Term: **14 Years**

(21) Appl. No.: **29/293,692**

(22) Filed: **Dec. 6, 2007**

(51) **LOC (9) Cl.** ..... **21-01**

(52) **U.S. Cl.** ..... **D21/385; D20/41; D20/10**

(58) **Field of Classification Search** ..... D20/41,  
D20/10; D21/325, 329, 333, 369-371, 385;  
273/268, 274; 463/12, 16-17, 20, 25, 46-47  
See application file for complete search history.

(56) **References Cited**

**U.S. PATENT DOCUMENTS**

0,641,522	A	1/1900	Leger	
1,646,414	A	10/1927	Marton	
1,804,770	A	5/1931	Hershfield	
2,305,656	A	12/1942	Yopp	
2,690,552	A	9/1954	Kiiibus	
4,250,491	A	2/1981	Dotson	
4,329,800	A	5/1982	Shuman	
4,777,750	A	10/1988	Garfinkle	
D320,831	S *	10/1991	Stephens	..... D20/41
5,124,683	A	6/1992	Brunner	
D342,549	S	12/1993	Hoffman	
5,283,595	A	2/1994	Krukovsky	
D346,830	S *	5/1994	Masujima et al.	..... D20/41
5,489,887	A	2/1996	Porras	
5,575,713	A	11/1996	Benoit et al.	
5,894,261	A *	4/1999	Green	..... 273/371

D420,058	S *	2/2000	Bouchard	..... D21/369
6,164,796	A	12/2000	La Chiusa	
6,585,586	B1 *	7/2003	Romero	..... 463/12
7,144,324	B2 *	12/2006	Yarbrough et al.	..... 463/46
2004/0082389	A1 *	4/2004	Yarbrough et al.	..... 463/46
2004/0090004	A1	5/2004	Dreaper et al.	
2004/0103570	A1	6/2004	Ruttenberg	
2004/0195771	A1 *	10/2004	Huard et al.	..... 273/274
2006/0277805	A1	12/2006	Kopera et al.	
2008/0028652	A1	2/2008	Makjiha et al.	
2008/0034631	A1	2/2008	Kim et al.	

\* cited by examiner

*Primary Examiner*—Sandra Morris

(74) *Attorney, Agent, or Firm*—Mark D. Miller

(57) **CLAIM**

I claim the ornamental design for a casino table service display, as shown and described.

**DESCRIPTION**

FIG. 1 is a front perspective view of a casino table service display showing my new design;

FIG. 2 is a front elevational view thereof;

FIG. 3 is a left side elevational view thereof;

FIG. 4 is a rear elevational view thereof;

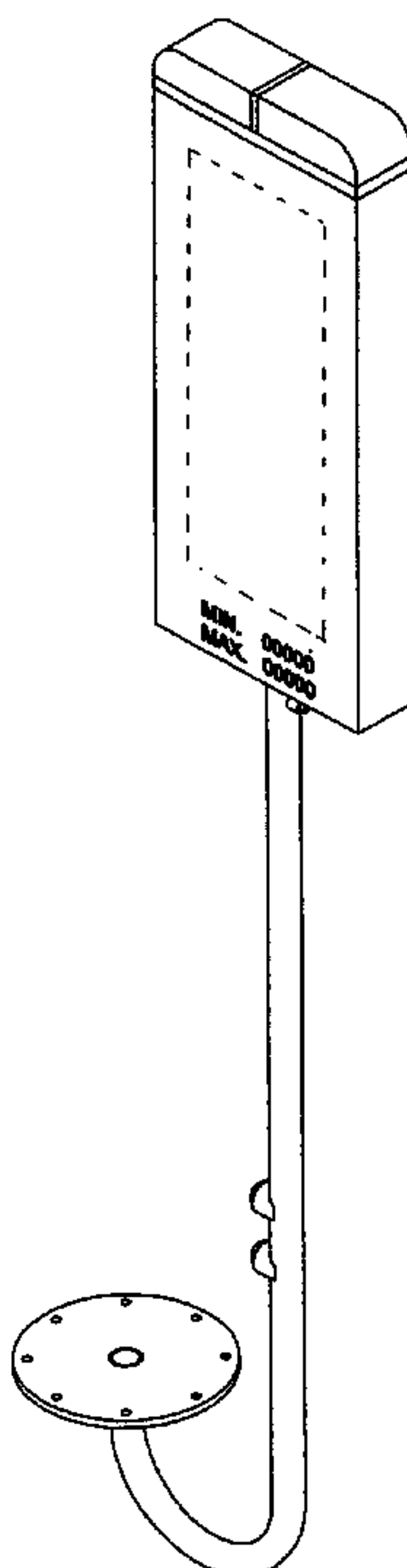
FIG. 5 is a right side elevational view thereof;

FIG. 6 is a bottom plan view thereof; and,

FIG. 7 is a top plan thereof.

The broken lines in FIGS. 1 and 2 are for illustrative purposes only and form no part of the claimed design.

**1 Claim, 4 Drawing Sheets**



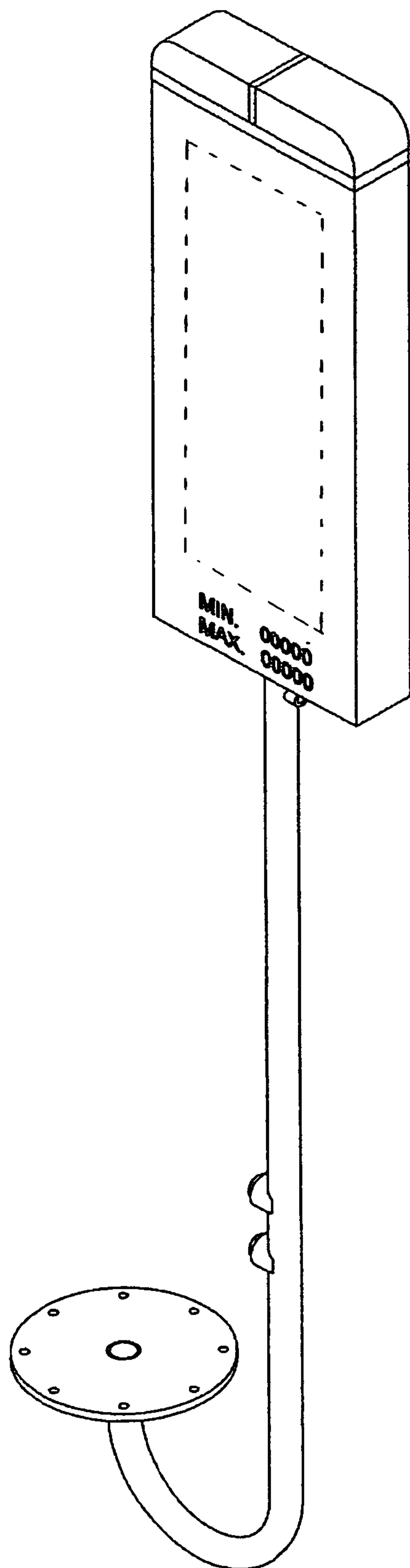


FIG. 1

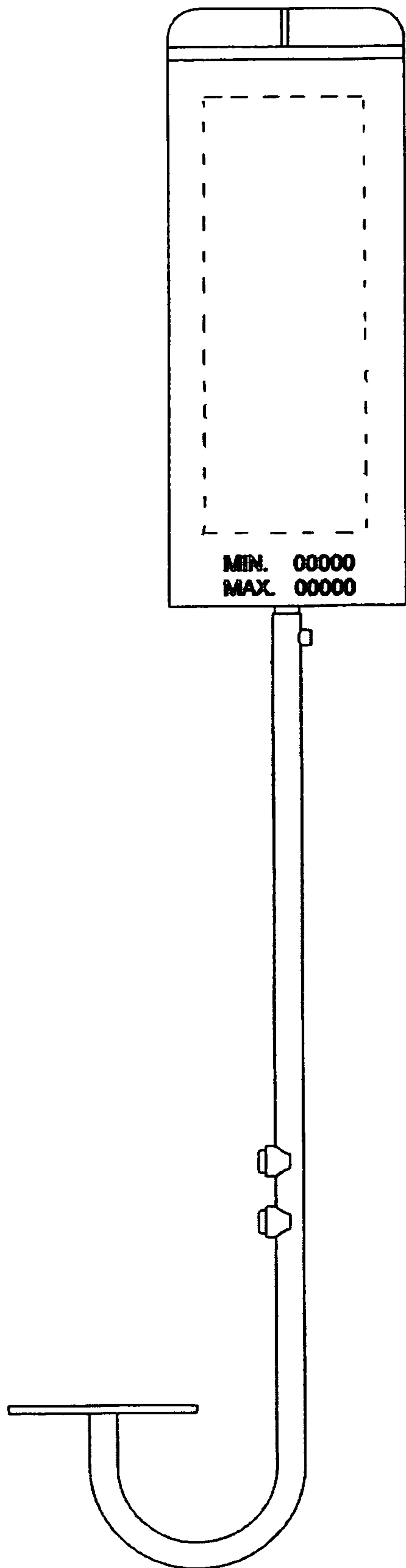


FIG. 2

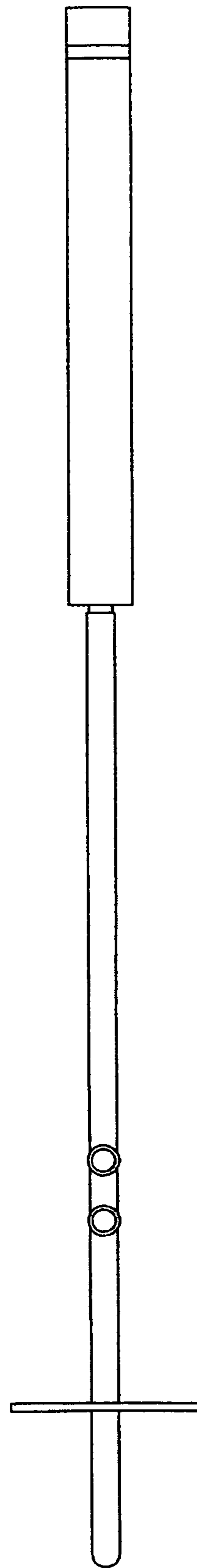


FIG. 3

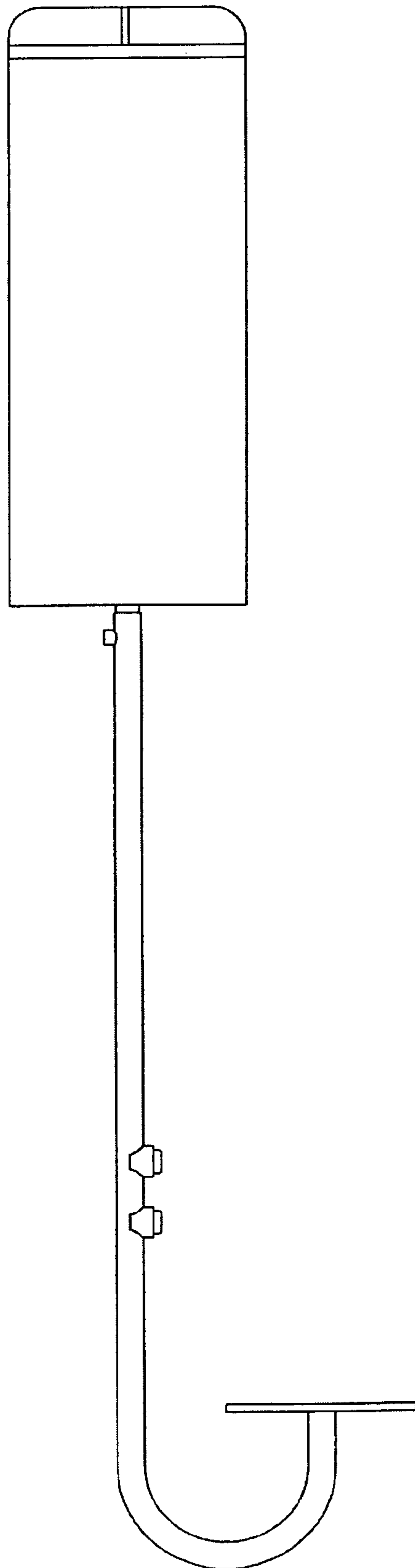


FIG. 4

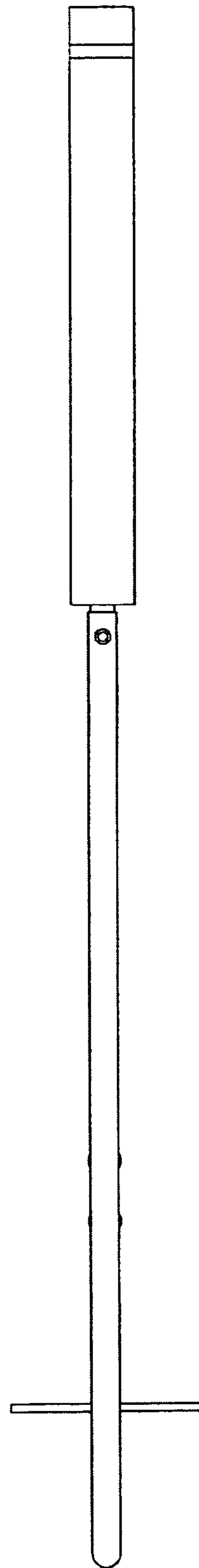


FIG. 5

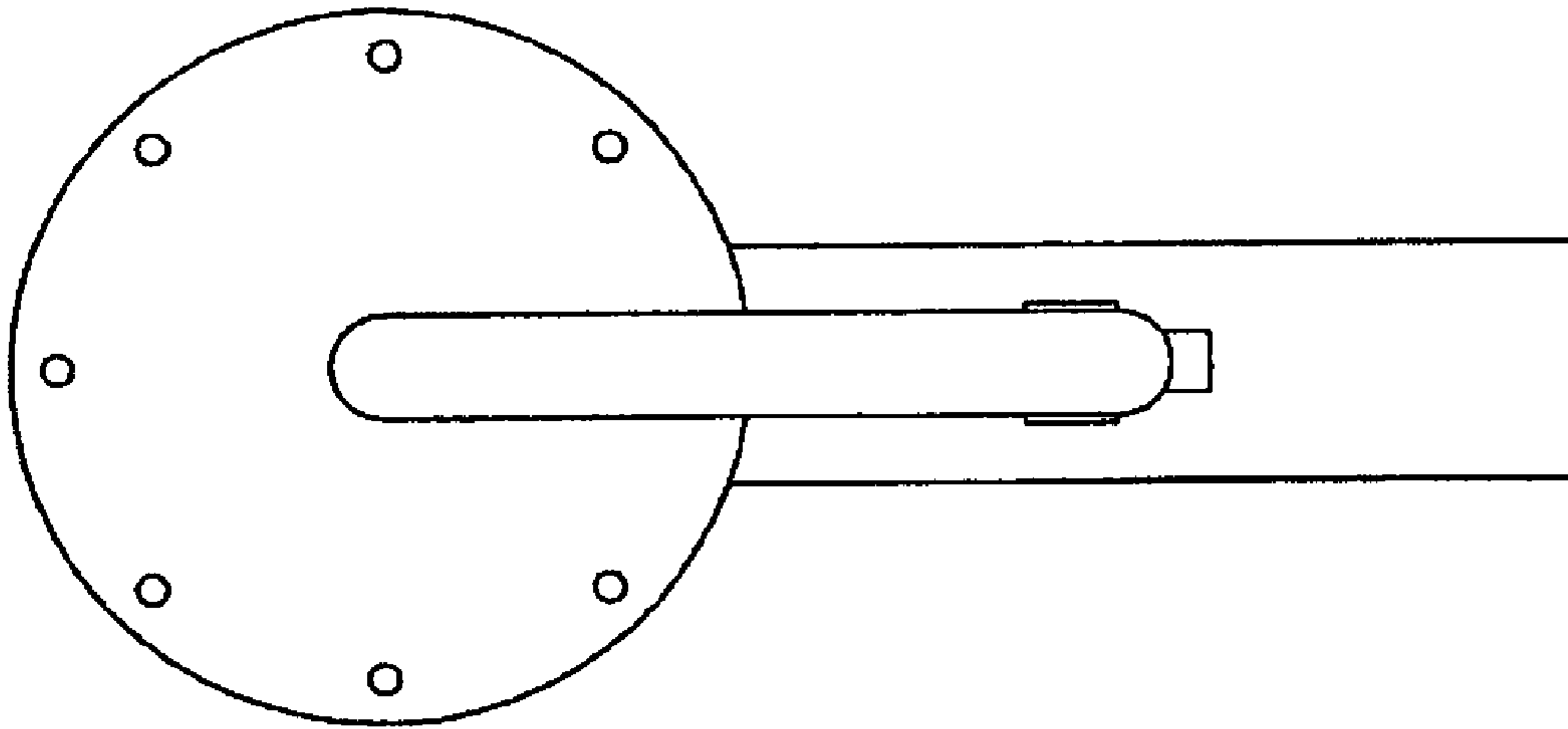


FIG. 6

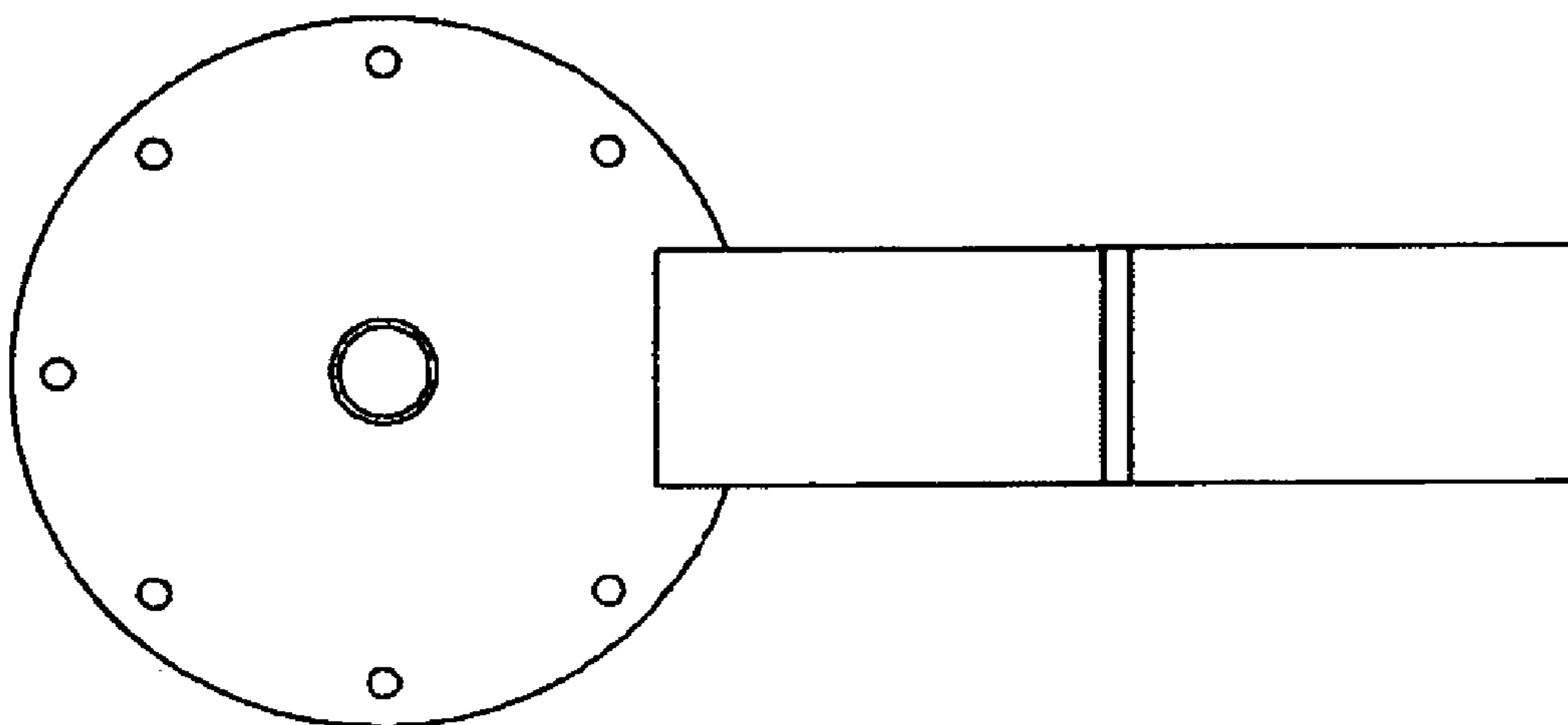


FIG. 7