

US00D593150S

(12) **United States Design Patent**
Haney

(10) **Patent No.:** **US D593,150 S**

(45) **Date of Patent:** **** May 26, 2009**

(54) **INK TRAP**

(75) Inventor: **Sean Haney**, North Canton, OH (US)

(73) Assignee: **Diebold Self-Science Systems**, North Canton, OH (US)

(**) Term: **14 Years**

(21) Appl. No.: **29/286,269**

(22) Filed: **Apr. 30, 2007**

Related U.S. Application Data

(63) Continuation of application No. 29/242,124, filed on Nov. 3, 2005, now Pat. No. Des. 552,672.

(51) **LOC (9) Cl.** **18-02**

(52) **U.S. Cl.** **D18/56; 347/36**

(58) **Field of Classification Search** D18/40,
D18/43, 56; 347/29, 36, 73, 86-87
See application file for complete search history.

(56) **References Cited**

U.S. PATENT DOCUMENTS

D375,756 S * 11/1996 Murray et al. D18/56
5,774,142 A * 6/1998 Nguyen et al. 347/36
6,220,314 B1 * 4/2001 Sato 347/36

6,357,853 B1 * 3/2002 Askren et al. 347/36
6,481,827 B2 * 11/2002 Yearout 347/36
6,629,750 B2 * 10/2003 Ciordia 347/36
6,637,859 B2 * 10/2003 Williamson et al. 347/36
7,204,577 B2 * 4/2007 Kanamitsu et al. 347/36
2005/0018009 A1 * 1/2005 Otsubo 347/36

* cited by examiner

Primary Examiner—Cathy Anne MacCormac

(74) *Attorney, Agent, or Firm*—Daniel D. Wasil; Ralph E. Jocke; Walker & Jocke

(57) **CLAIM**

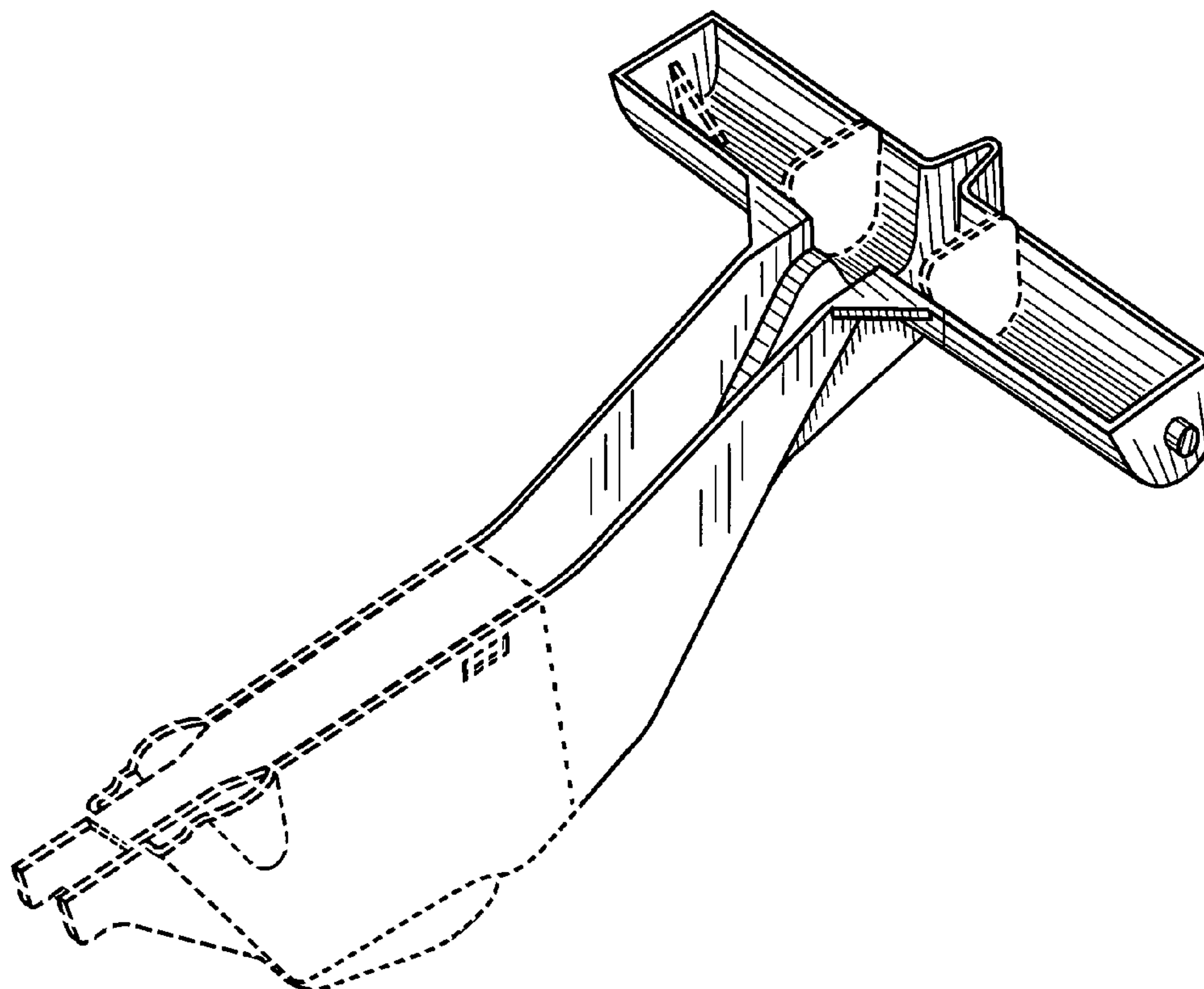
I claim the ornamental design for an ink trap, as shown and described.

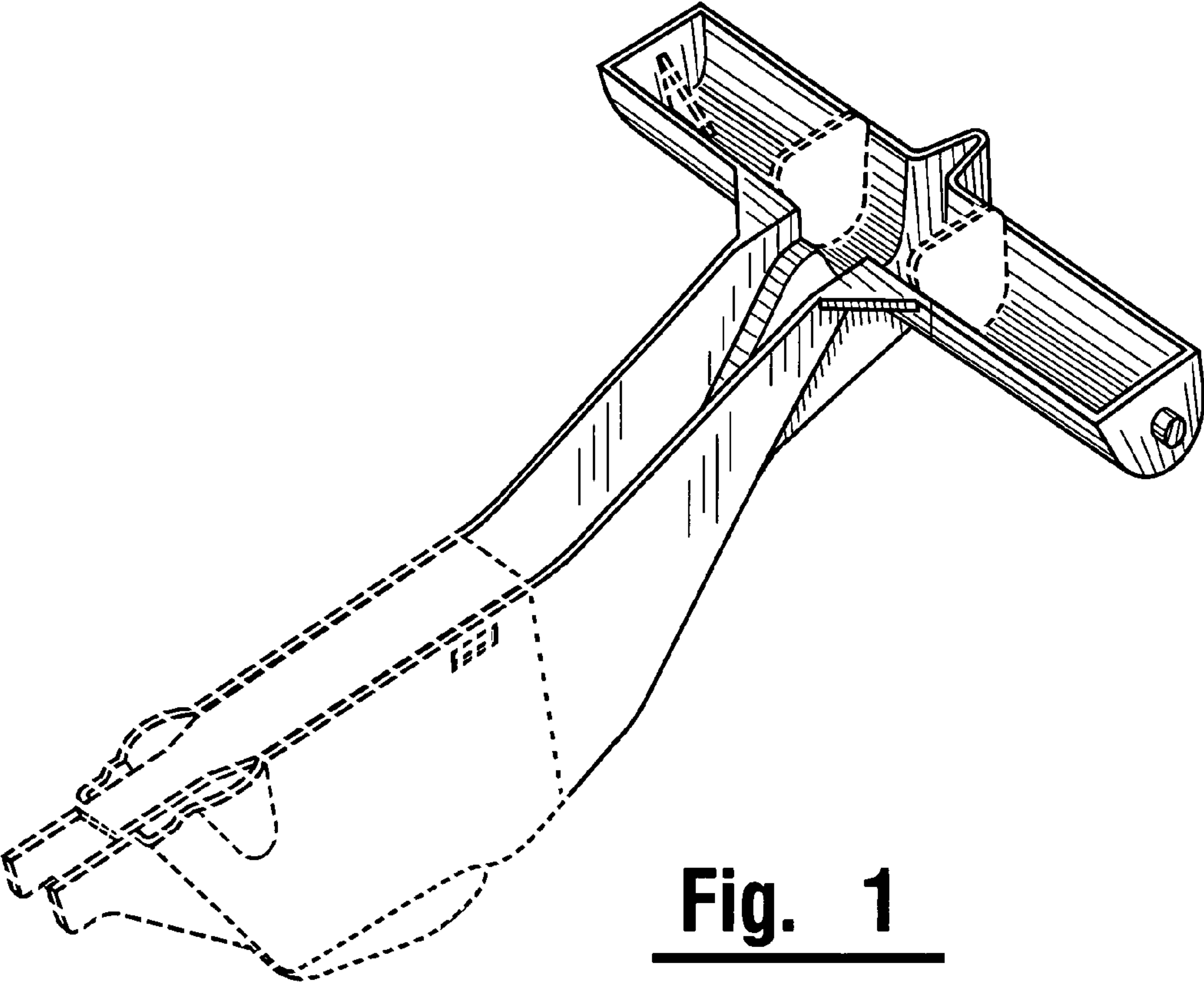
DESCRIPTION

FIG. 1 is a top right perspective view of the ink trap;
FIG. 2 is a top view thereof;
FIG. 3 is a right side view thereof;
FIG. 4 is a left side view thereof; and,
FIG. 5 is a bottom view thereof.

The broken lines are for illustration only and form no part of the claimed design.

1 Claim, 3 Drawing Sheets





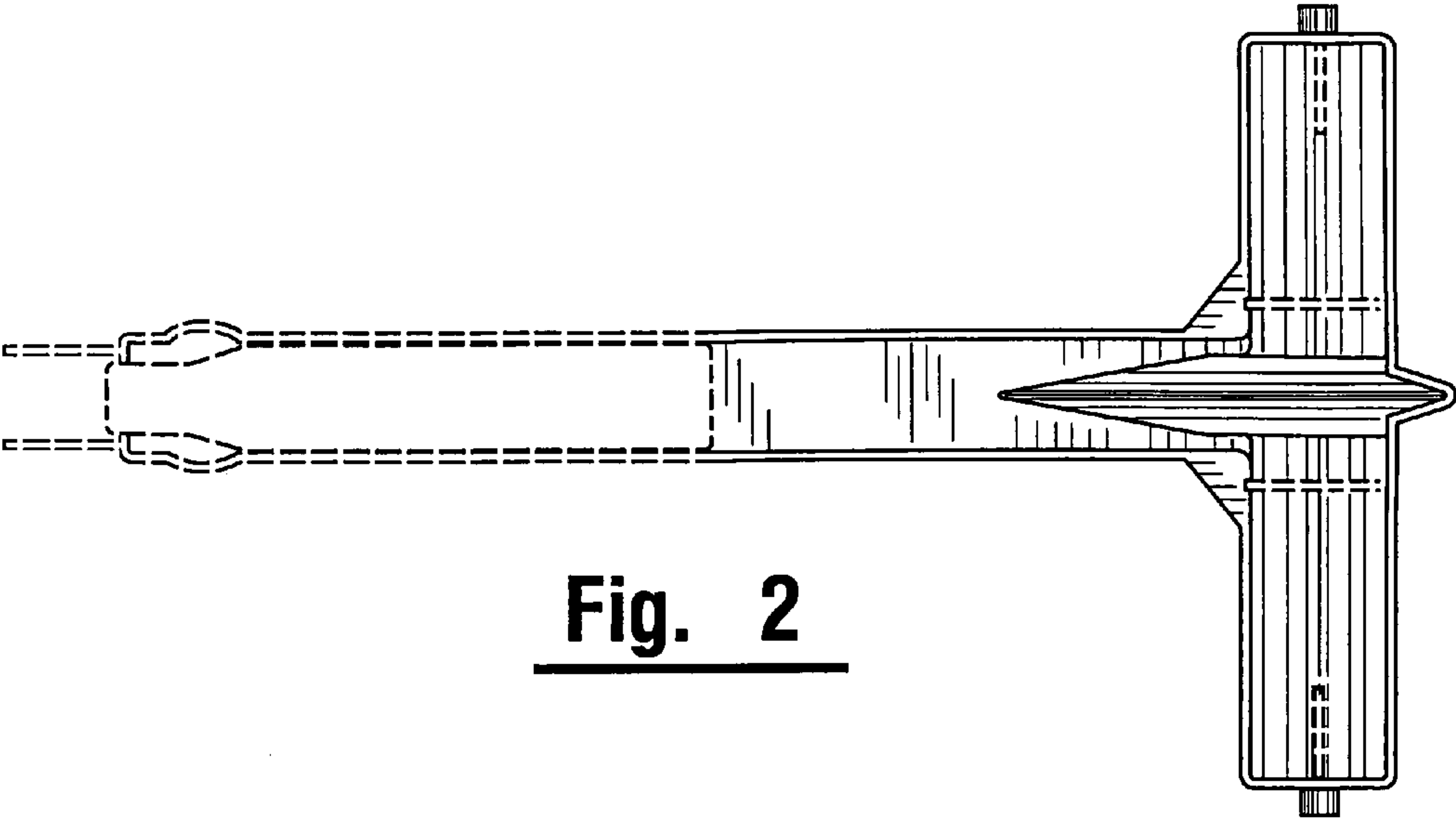


Fig. 2

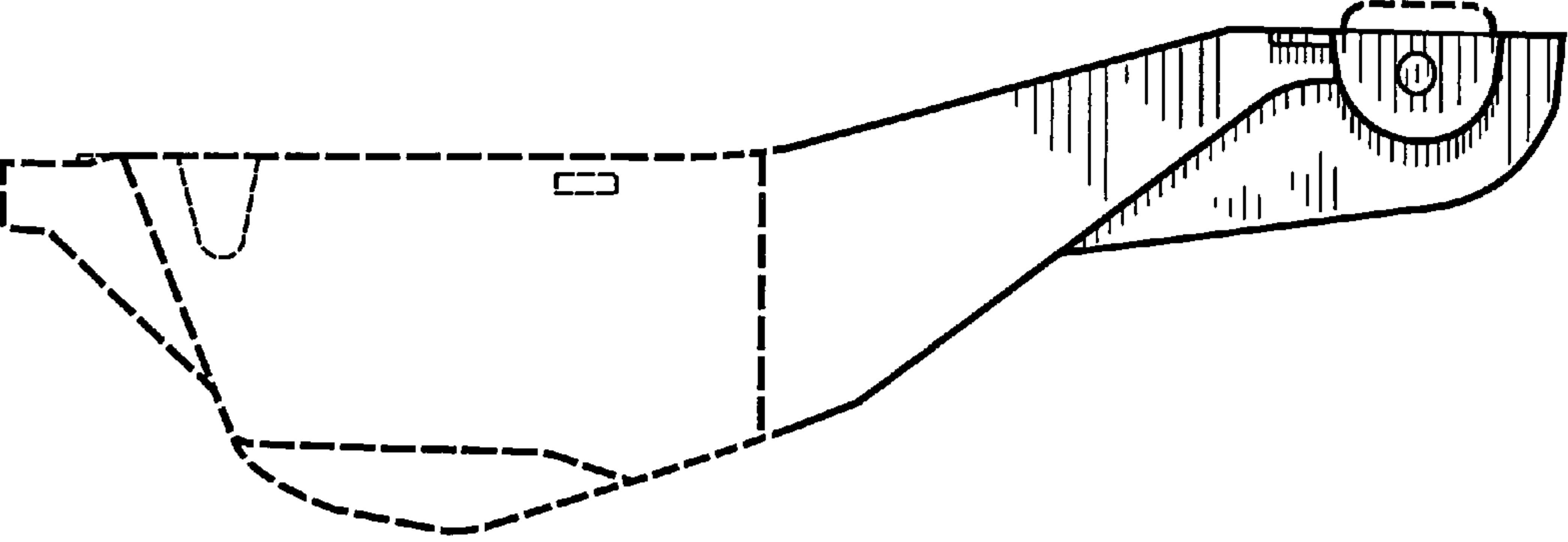


Fig. 3

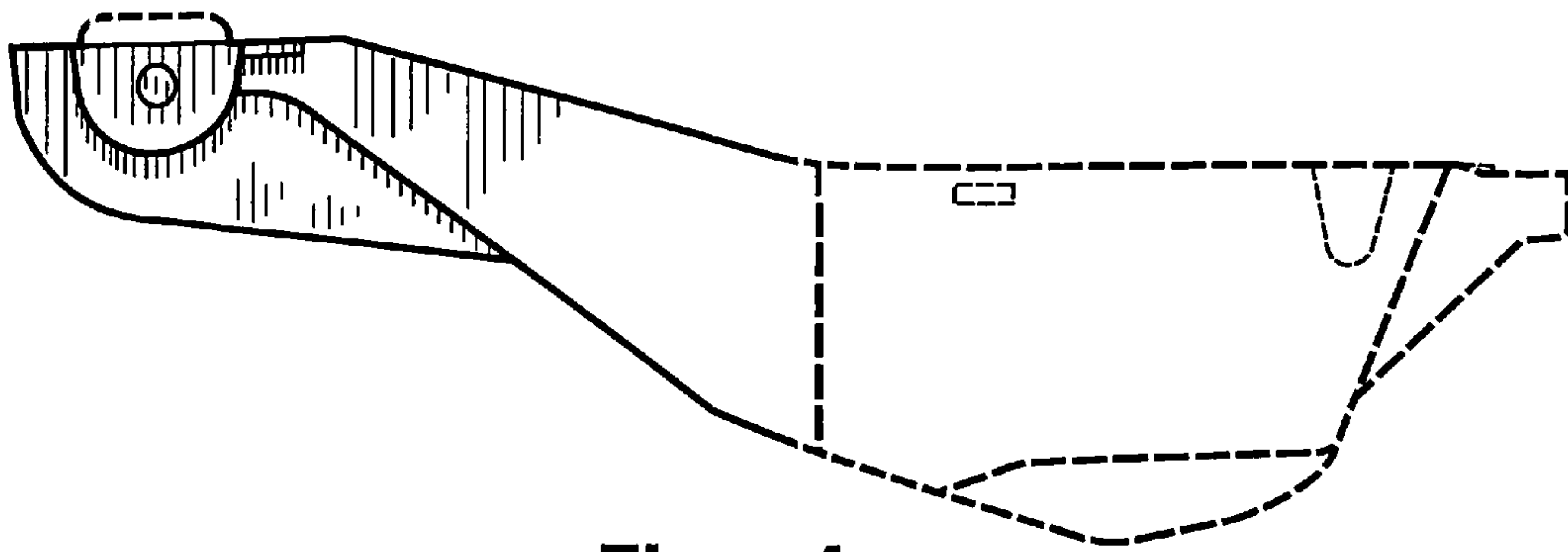


Fig. 4

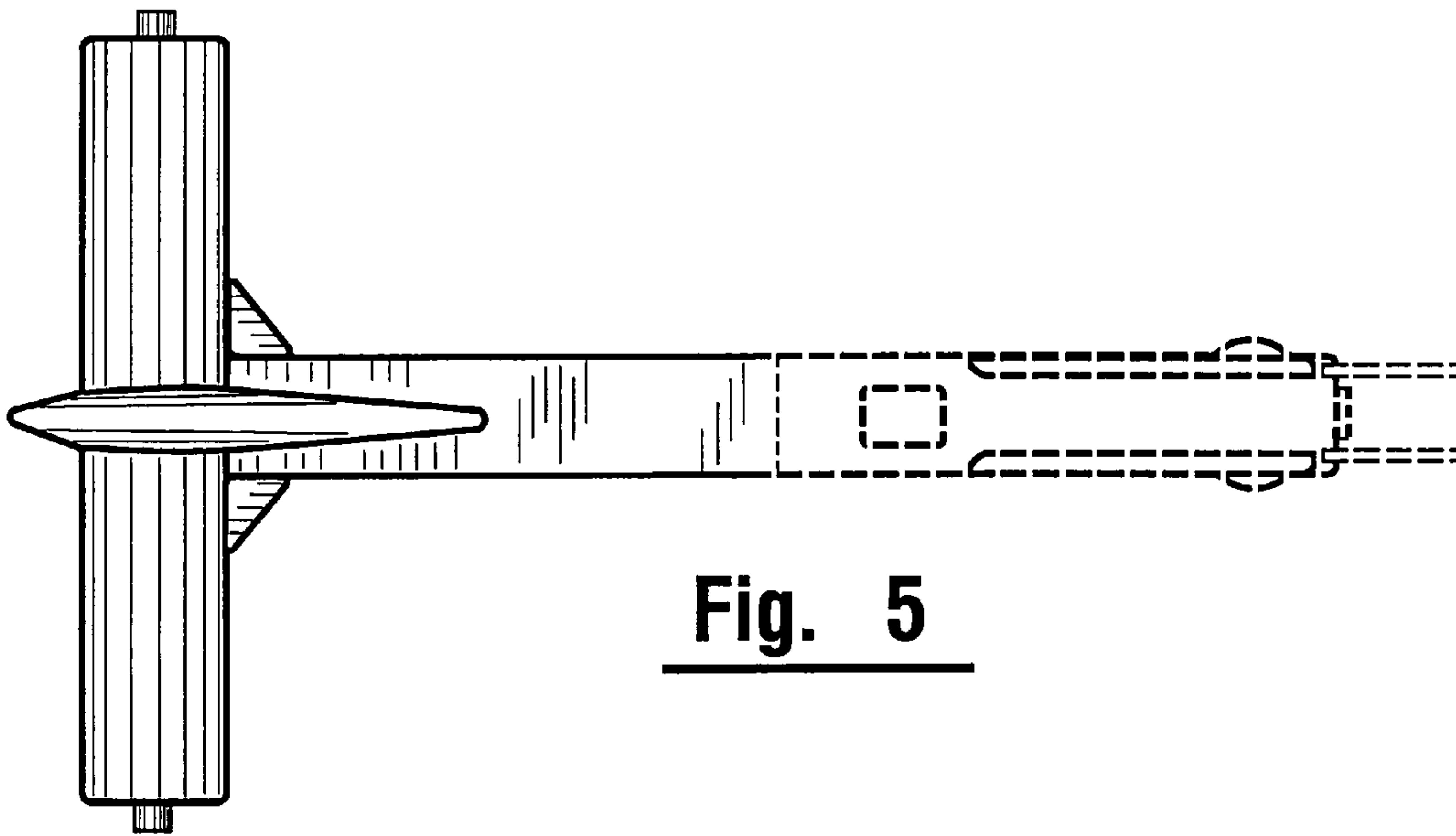


Fig. 5
