

US00D593149S

(12) **United States Design Patent**
Park et al.

(10) **Patent No.:** **US D593,149 S**
(45) **Date of Patent:** **** May 26, 2009**

(54) **COLOR LASER PRINTER**

D573,178 S 7/2008 Lee et al.
D573,179 S 7/2008 Bae et al.

(75) Inventors: **Ji-Sang Park**, Kyunggi-do (KR);
Son-Young Lee, Seoul (KR); **Yun-Gi Hong**,
Kyunggi-do (KR); **Byeong-Yong Song**,
Kyunggi-do (KR)

(73) Assignee: **Samsung Electronics Co., Ltd.**, Suwon,
Kyunggi-Do (KR)

(**) Term: **14 Years**

(21) Appl. No.: **29/293,252**

(22) Filed: **Nov. 13, 2007**

(51) **LOC (9) Cl.** **14-02**

(52) **U.S. Cl.** **D18/55**

(58) **Field of Classification Search** D18/36-39,
D18/50, 54, 54.1, 55; D14/420-425, 462-470;
400/613, 613.1-613.4, 690.1-690.4, 691-694
See application file for complete search history.

(56) **References Cited**

U.S. PATENT DOCUMENTS

D326,867 S	6/1992	Kwak	
D340,721 S	* 10/1993	Hirose et al.	D14/464
D359,506 S	6/1995	Lee	
D378,218 S	2/1997	Hong et al.	
D397,357 S	* 8/1998	Herman et al.	D18/55
D527,045 S	8/2006	Lim et al.	
D530,737 S	10/2006	Lim et al.	
D532,043 S	11/2006	Park et al.	
D536,372 S	2/2007	Lim et al.	
D536,373 S	* 2/2007	Inoue et al.	D18/55
D551,700 S	9/2007	Park et al.	
D552,170 S	10/2007	Kim et al.	
D555,195 S	11/2007	Park et al.	
D555,722 S	11/2007	Bae et al.	
D558,821 S	* 1/2008	Smith et al.	D18/55
D558,822 S	* 1/2008	Smith et al.	D18/55
D561,248 S	2/2008	Lee et al.	

OTHER PUBLICATIONS

U.S. Appl. No. 29/291,996, Applicant: Gyeong-Sun Park, et al., filed Sep. 25, 2007 entitled Color Laser Complex.
U.S. Appl. No. 29/291,995, Applicant: Gyeong-Sun Park, et al., filed Sep. 25, 2007 entitled Copy Machine Attached by Function of Scanner and Printer.
U.S. Appl. No. 29/294,092, Applicant: Hee-Yul Kim, et al., filed Dec. 21, 2007 entitled Laser Printer.
U.S. Appl. No. 29/294,093, Applicant: Hee-Yul Kim, et al., filed Dec. 21, 2007 entitled Laser Printer.
U.S. Appl. No. 29/294,097, Applicant: Hee-Yul Kim, et al., filed Dec. 21, 2007 entitled Laser Printer.
U.S. Appl. No. 29/293,253, Applicant: Min-Hyoung Boo, et al., filed Nov. 13, 2007 entitled Color Laser Printer.
U.S. Appl. No. 29/293,228, Applicant: Son-Young Lee, et al., filed Nov. 9, 2007 entitled Copy Machine.

* cited by examiner

Primary Examiner—Cathy Anne MacCormac
(74) *Attorney, Agent, or Firm*—Flynn, Thiel, Boutell & Tanis, P.C.

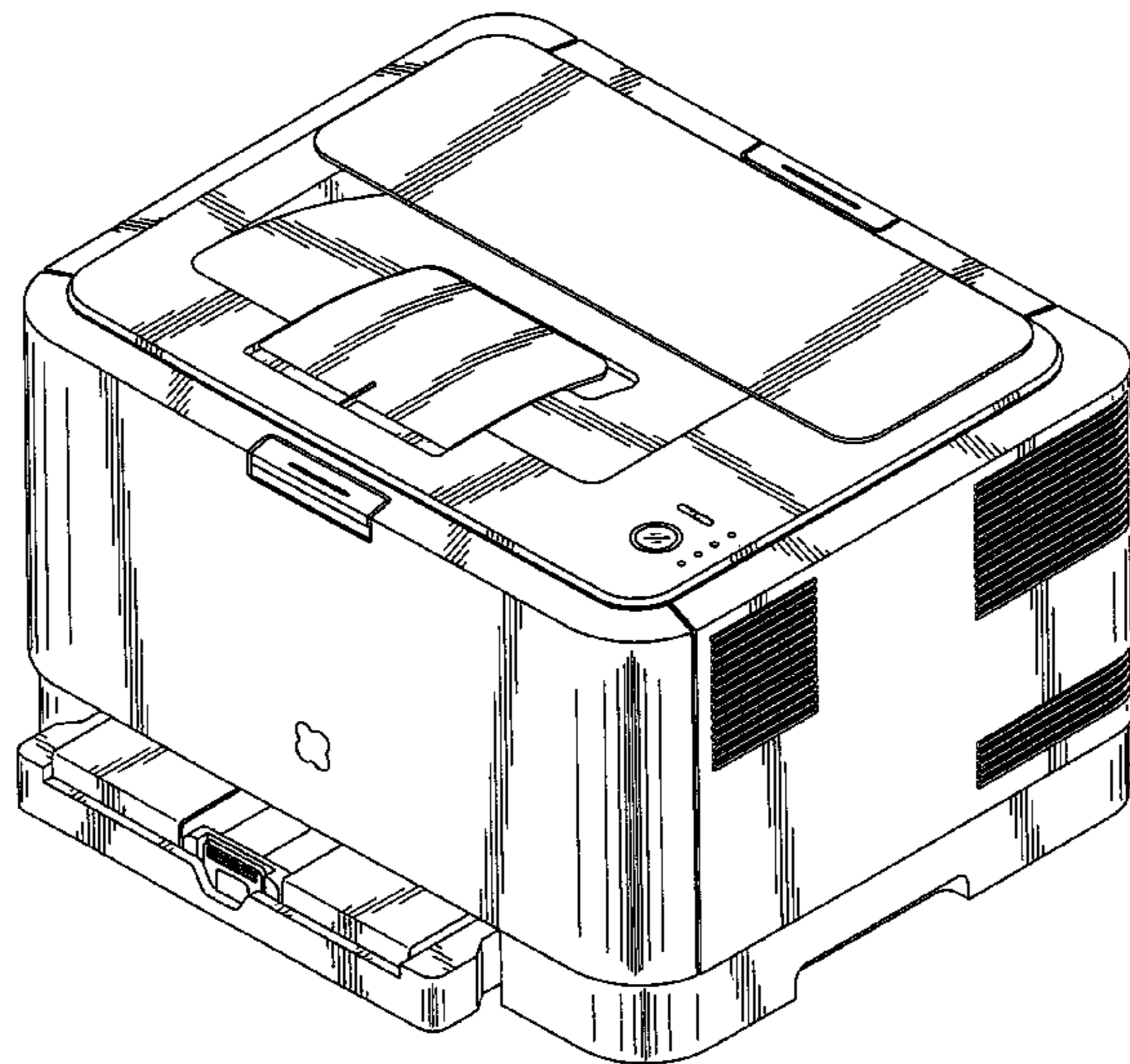
(57) **CLAIM**

The ornamental design for a color laser printer, as shown and described.

DESCRIPTION

FIG. 1 is a top front perspective view of a color laser printer showing our new design;
FIG. 2 is a front elevational view thereof;
FIG. 3 is a rear elevational view thereof;
FIG. 4 is a left side elevational view thereof;
FIG. 5 is a right side elevational view thereof;
FIG. 6 is a top plan view thereof; and,
FIG. 7 is a bottom plan view thereof.

1 Claim, 4 Drawing Sheets



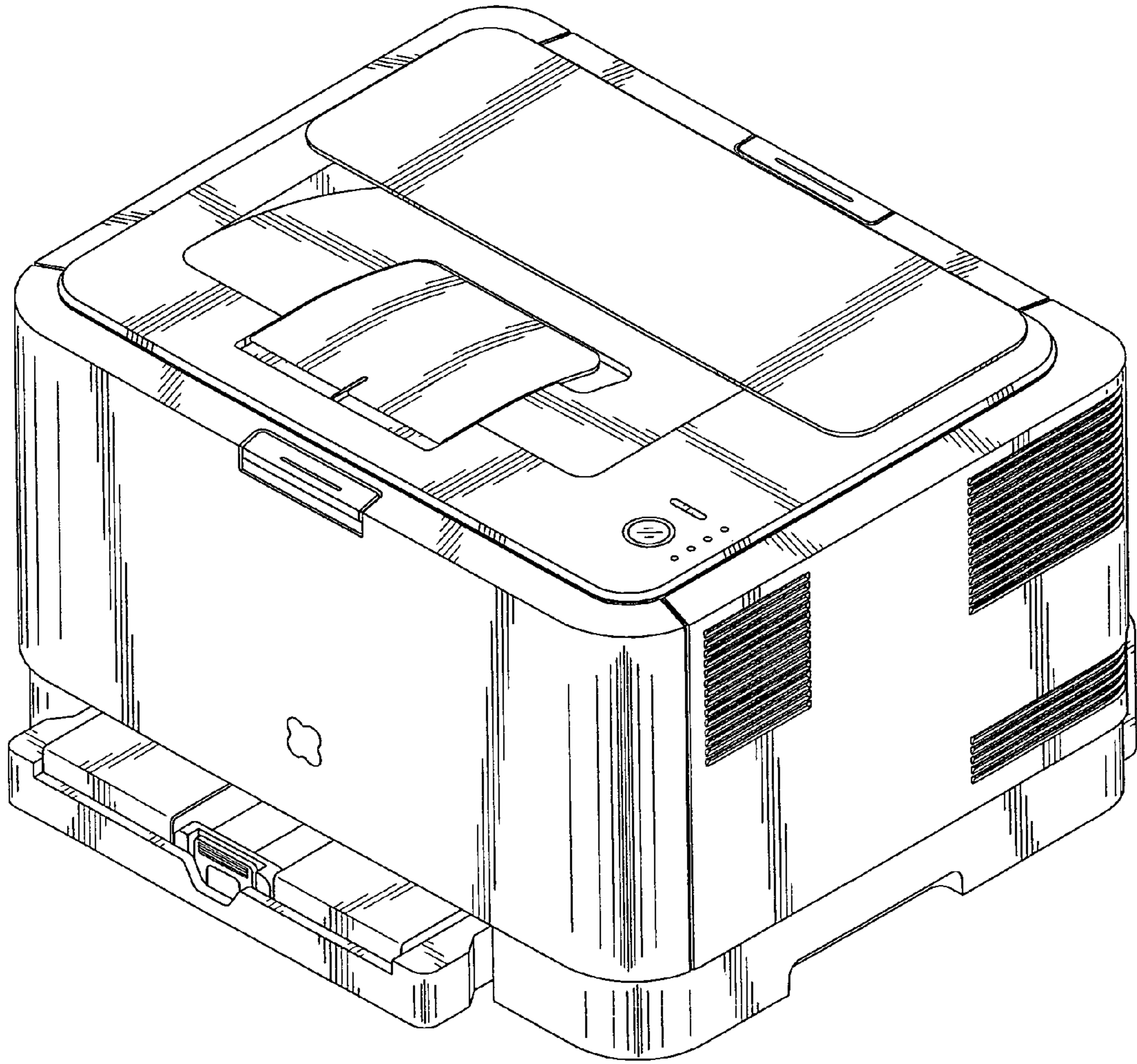


FIG. 1

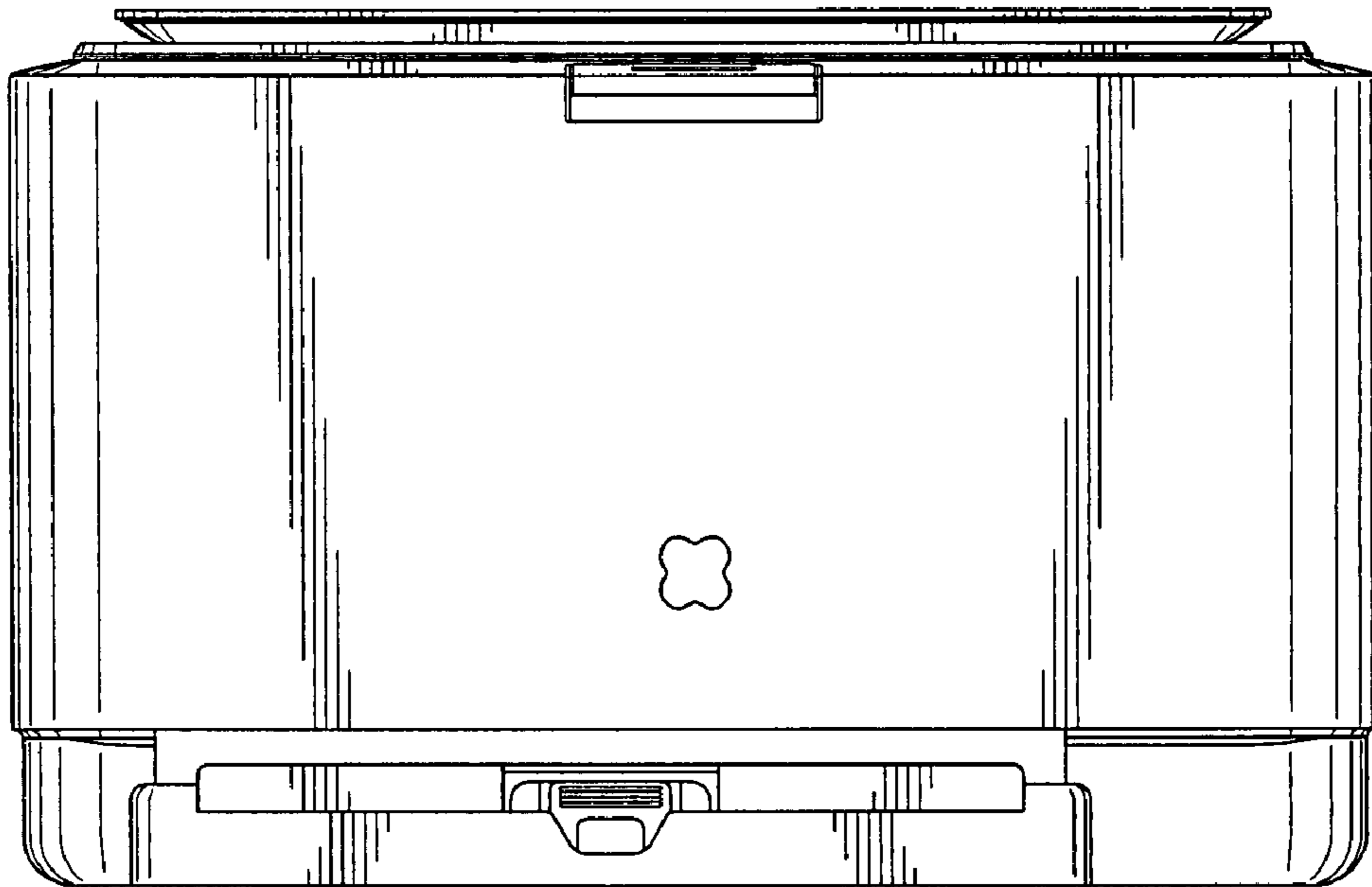


FIG. 2

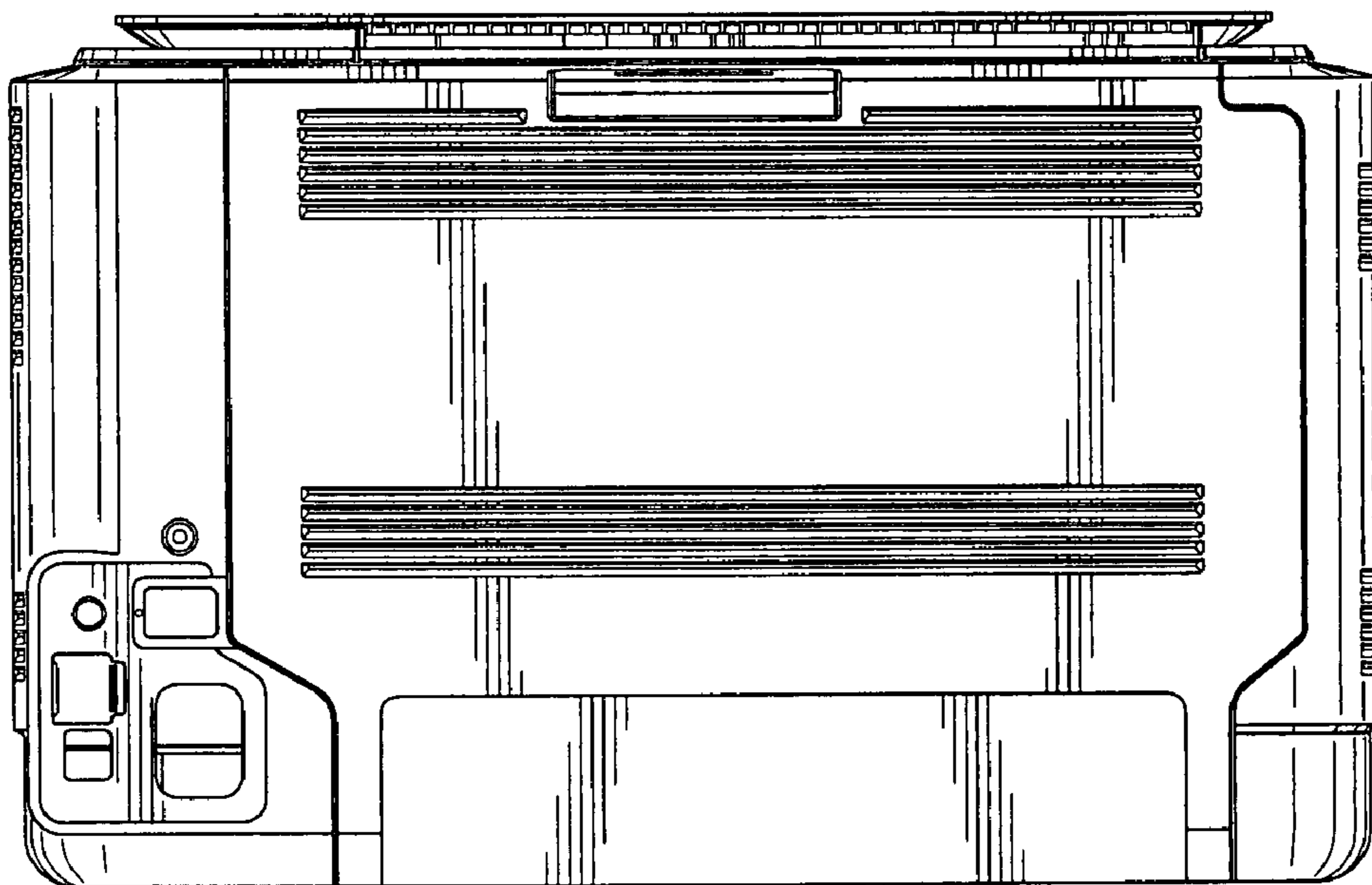


FIG. 3

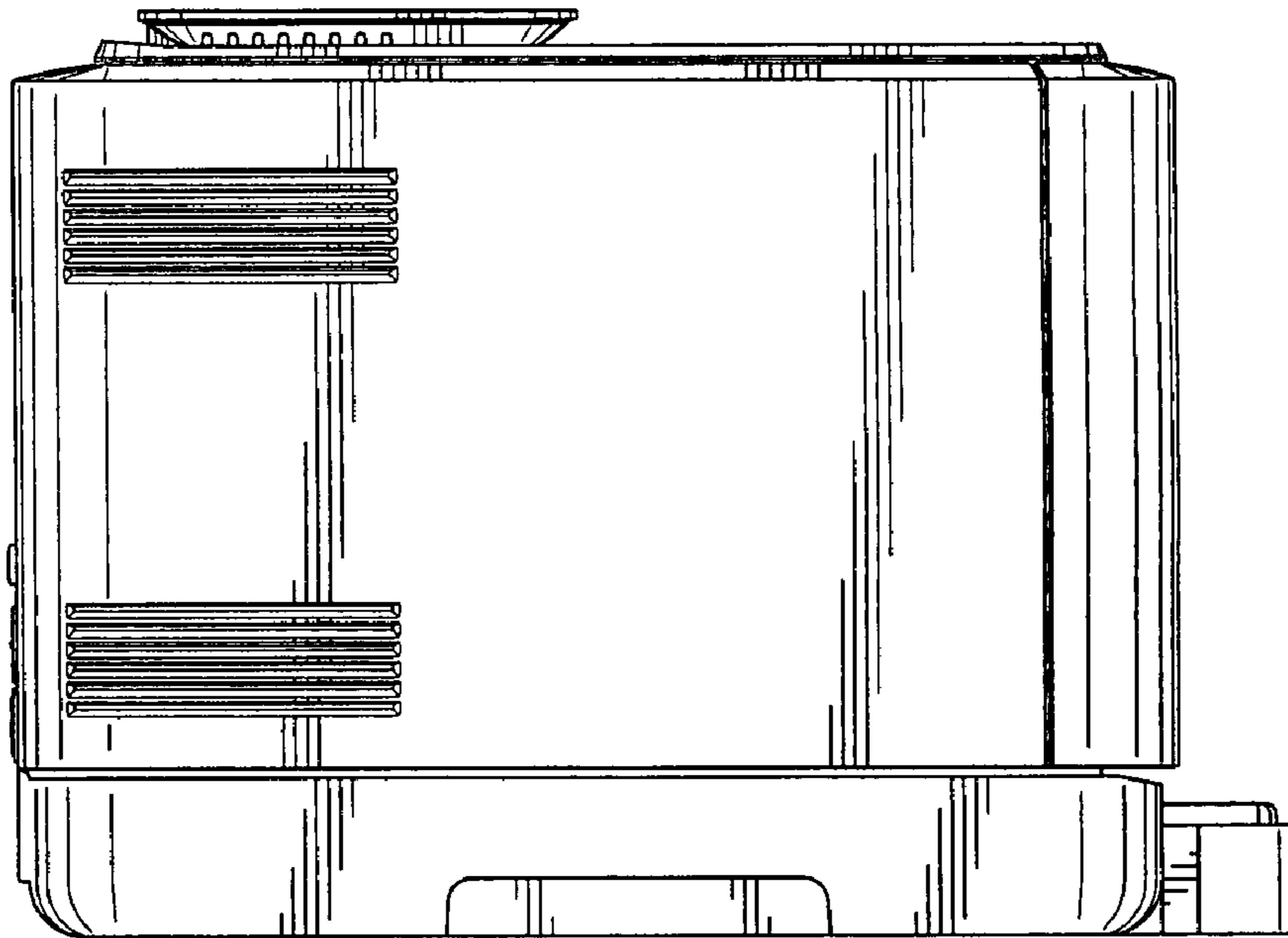


FIG. 4

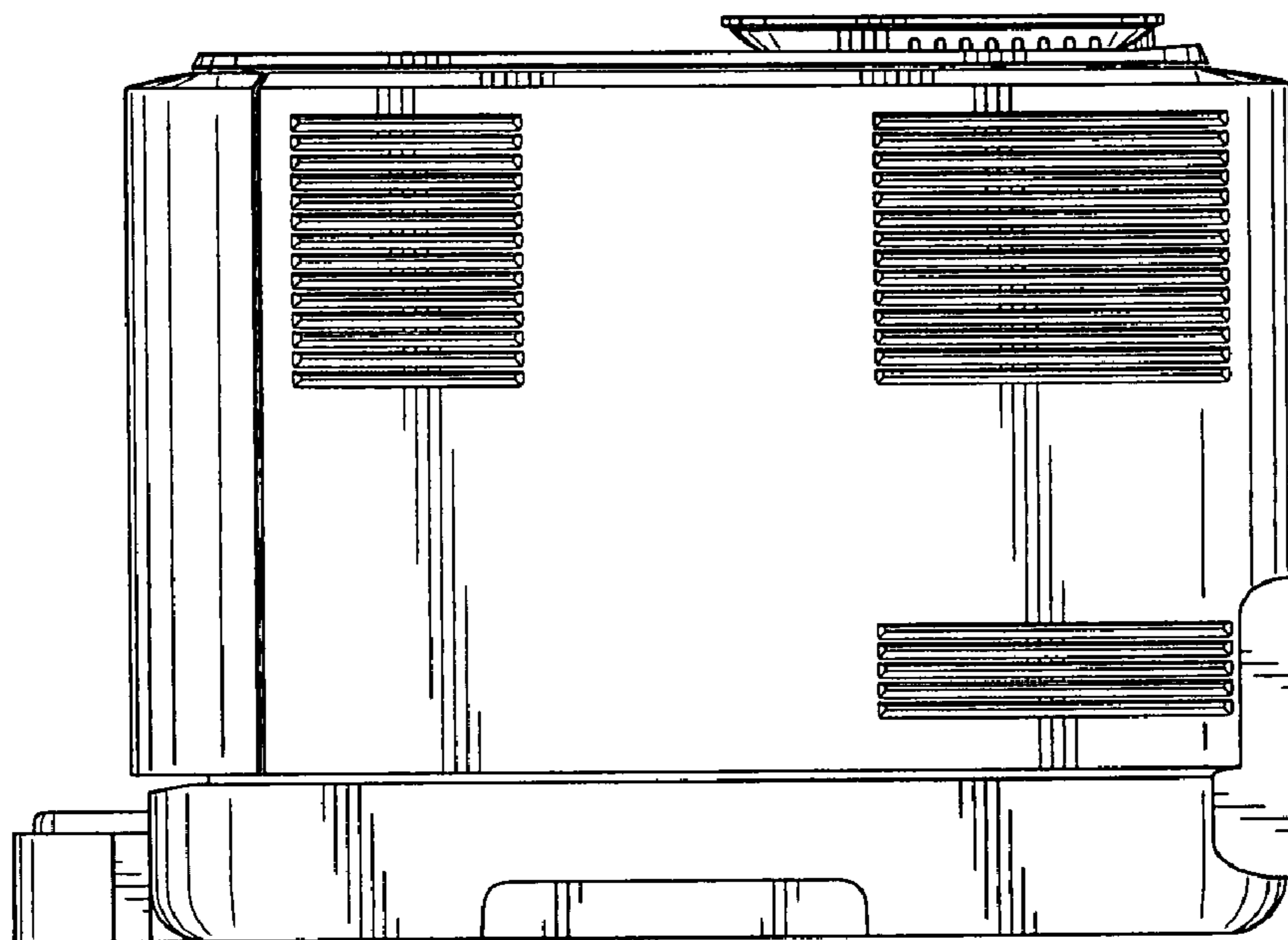


FIG. 5

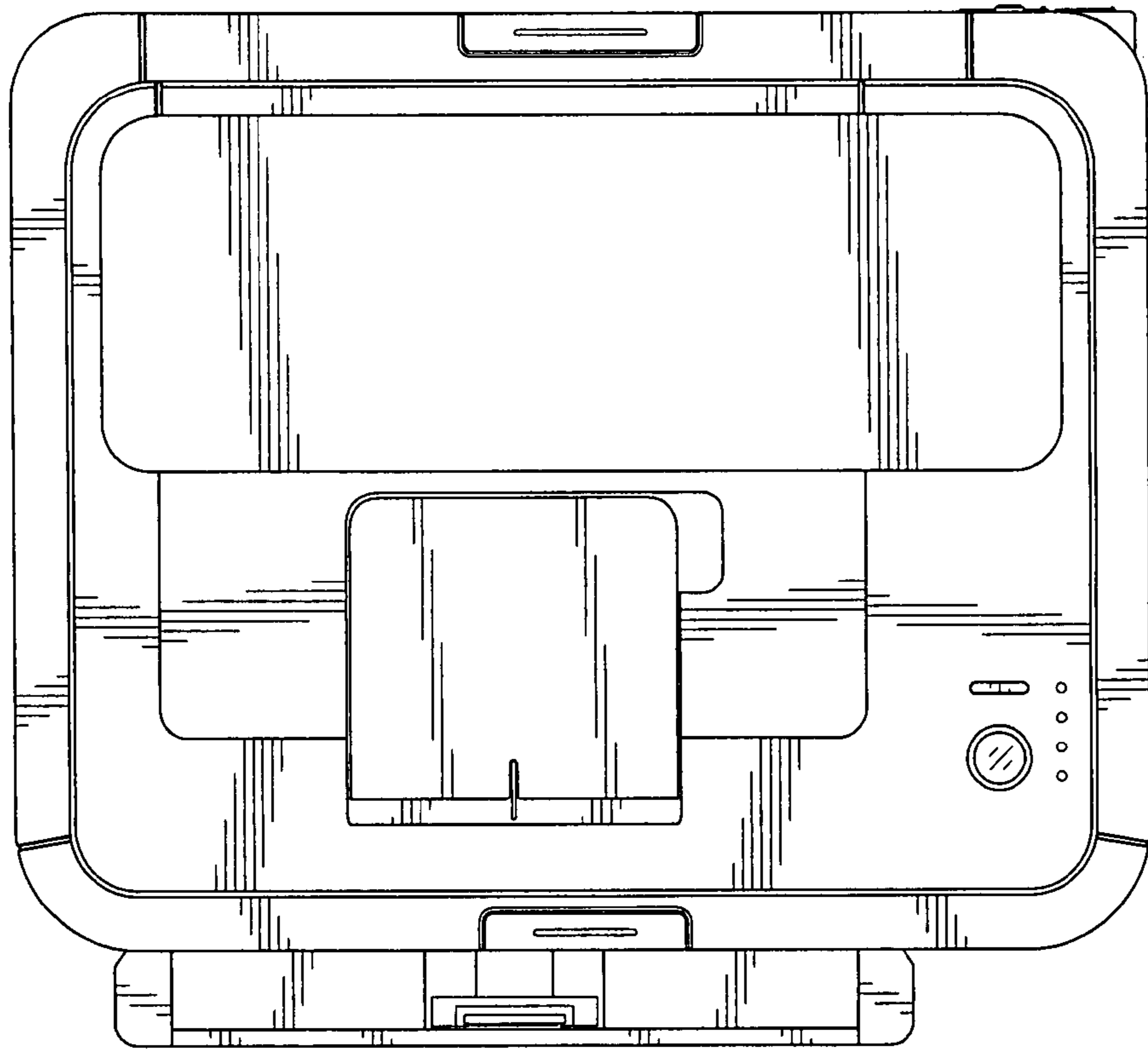


FIG. 6

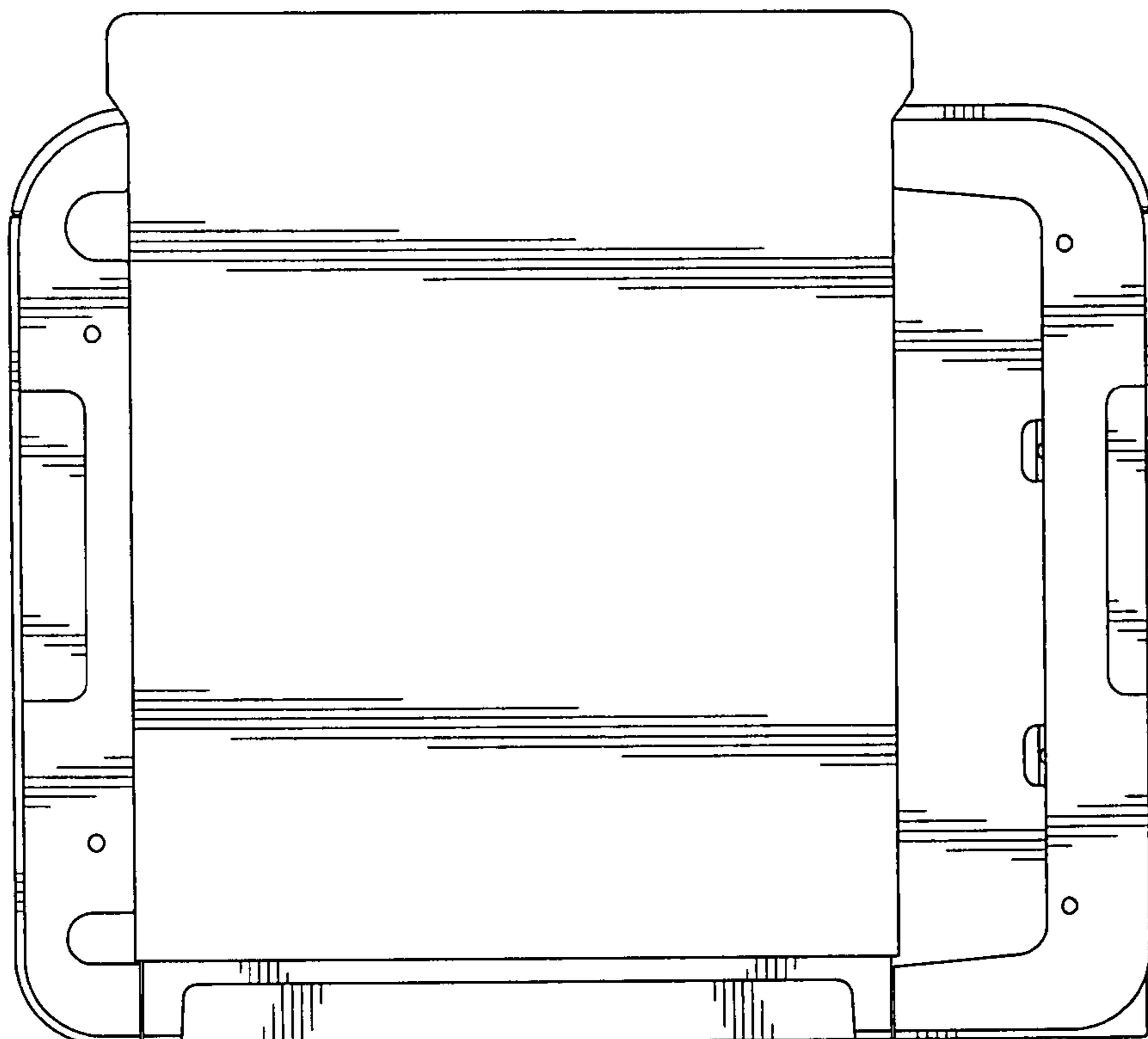


FIG. 7