

US00D593148S

(12) **United States Design Patent**
Polidoro

(10) **Patent No.:** **US D593,148 S**

(45) **Date of Patent:** **** May 26, 2009**

(54) **FRONT PANEL OF A MONEY STORE**

(75) Inventor: **Roberto Polidoro**, Geneva (CH)

(73) Assignee: **MEI, Inc.**, West Chester, PA (US)

(**) Term: **14 Years**

(21) Appl. No.: **29/252,301**

(22) Filed: **Jan. 20, 2006**

(30) **Foreign Application Priority Data**

Jul. 26, 2005 (EM) 000379383-0004

(51) **LOC (9) Cl.** **18-01**

(52) **U.S. Cl.** **D18/12.1; D18/12**

(58) **Field of Classification Search** D18/3.1,
D18/3.2, 3.3, 5, 12, 12.1, 46, 47, 50, 54, 56,
D18/57, 58, 59, 99; 209/534; 235/2, 3, 379;
382/135; 101/2, 3.1, 4, 5

See application file for complete search history.

(56) **References Cited**

U.S. PATENT DOCUMENTS

D115,074	S	*	5/1939	Boetticher	D18/50
2,868,115	A	*	1/1959	Gollwitzer	101/2
3,254,596	A	*	6/1966	Shoup et al.	101/102
D225,764	S	*	1/1973	Duskar	D7/698
D233,694	S	*	11/1974	Tamura	D18/3.1
D258,036	S	*	1/1981	Sabin	D7/698
4,387,949	A	*	6/1983	Haitmanek	439/95
D294,597	S	*	3/1988	Lanagan	D18/3.1
4,756,695	A	*	7/1988	Lane et al.	439/76.1
D334,921	S	*	4/1993	Basara et al.	D14/447

D339,507	S	*	9/1993	Ancona et al.	D7/698
5,326,931	A	*	7/1994	Cain et al.	174/503
D375,298	S	*	11/1996	Calfee	D14/451
6,216,406	B1	*	4/2001	Hauser	52/287.1
6,328,166	B1	*	12/2001	Sakai	209/534
6,674,000	B2	*	1/2004	Lambiaso	174/50
6,768,055	B1	*	7/2004	Gorin	174/50
D519,016	S	*	4/2006	Nudo	D8/71

* cited by examiner

Primary Examiner—Stella M Reid

Assistant Examiner—Elizabeth J Oswecki

(74) *Attorney, Agent, or Firm*—Fish & Richardson P.C.

(57) **CLAIM**

The ornamental design for a front panel of a money store, as shown and described.

DESCRIPTION

FIG 1 is a top view of a front panel of a money store showing my new design;

FIG. 2 is a bottom view thereof;

FIG. 3 is a front view thereof;

FIG. 4 is an isometric view thereof;

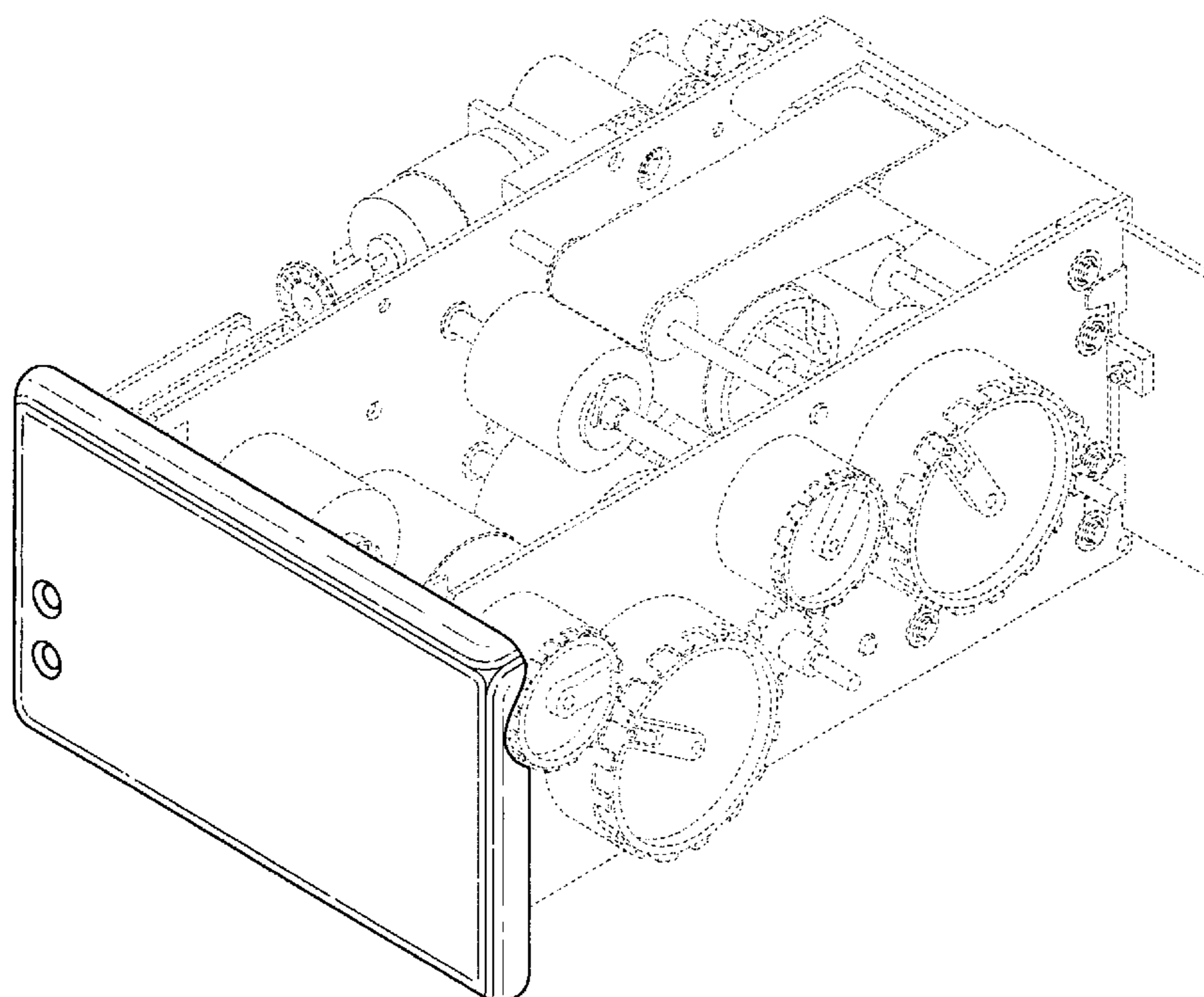
FIG. 5 is a left side view thereof; and,

FIG. 6 is a right side view thereof.

The drawings are not necessarily drawn to the same scale.

The broken line showing of a money store is included for the purpose of illustrating only and forms no part of the claimed design.

1 Claim, 6 Drawing Sheets



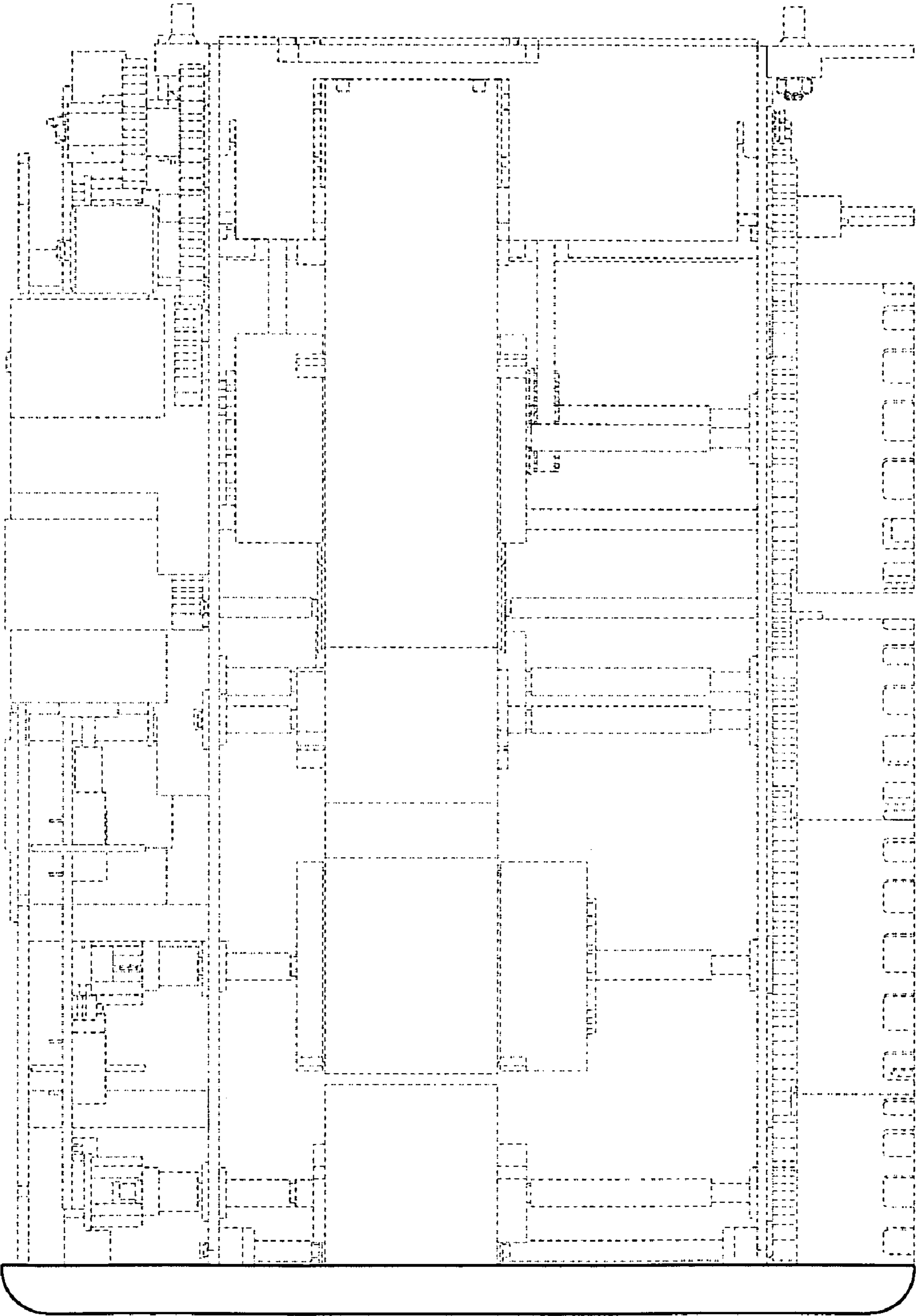


FIG. 1

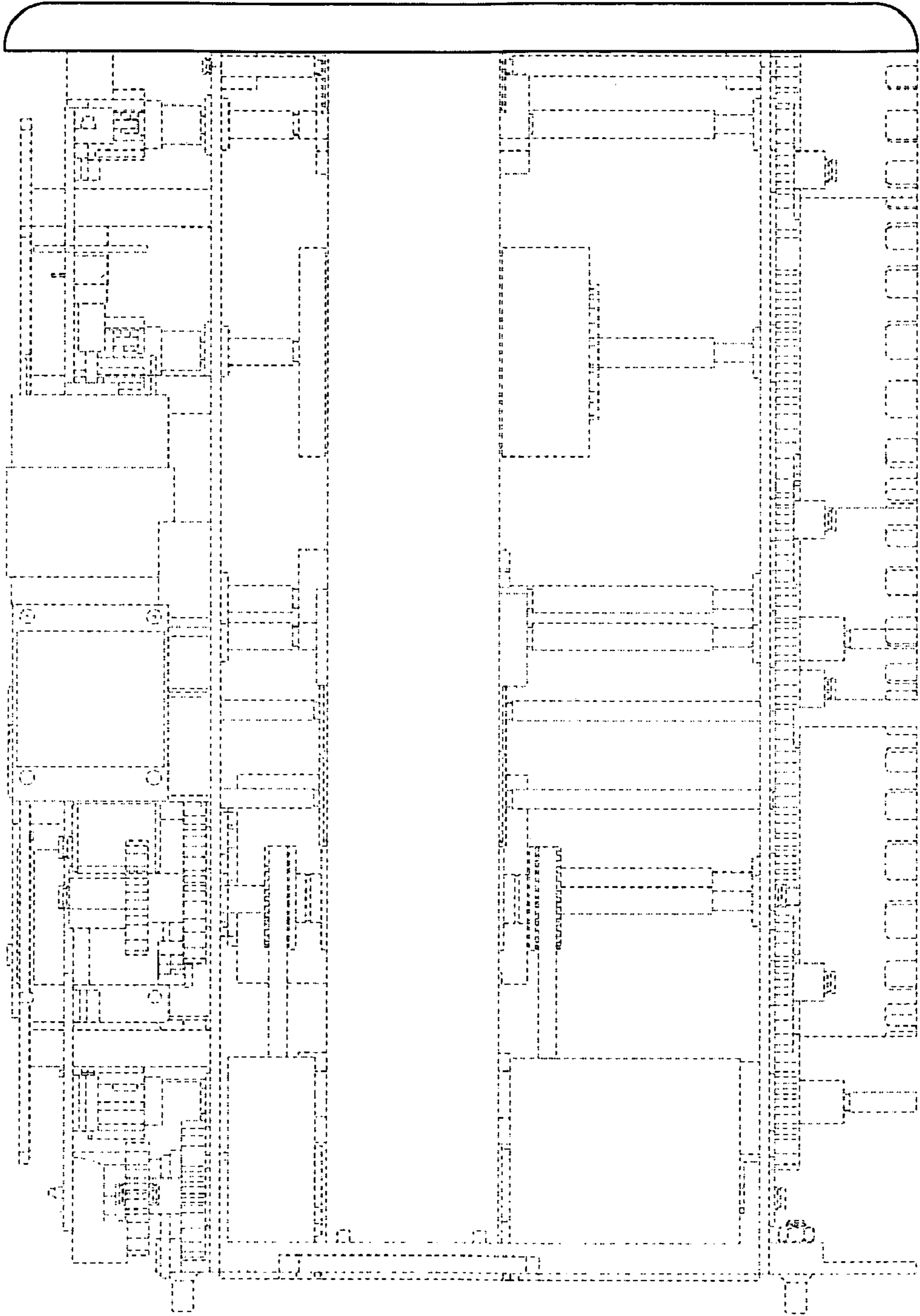


FIG. 2

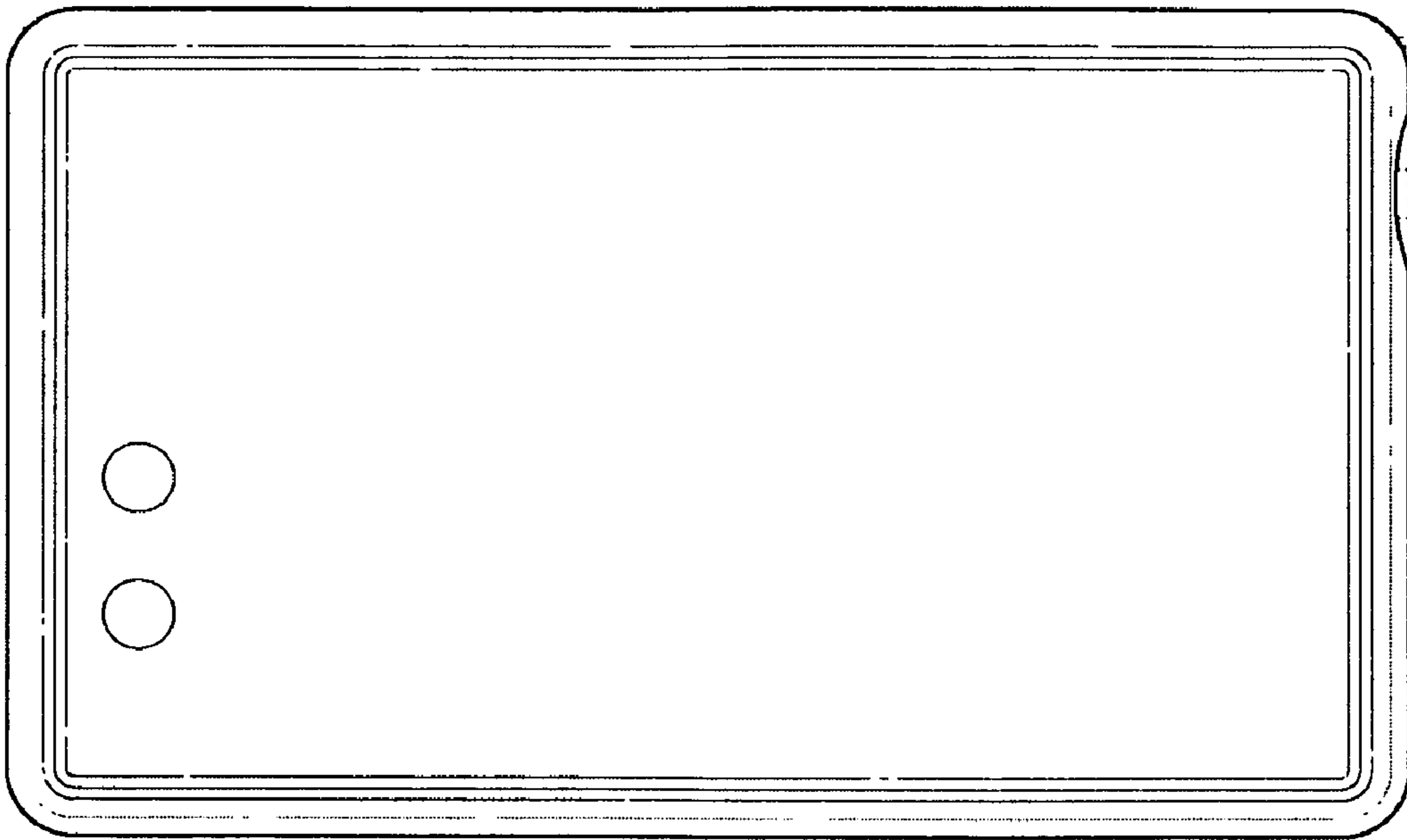


FIG. 3

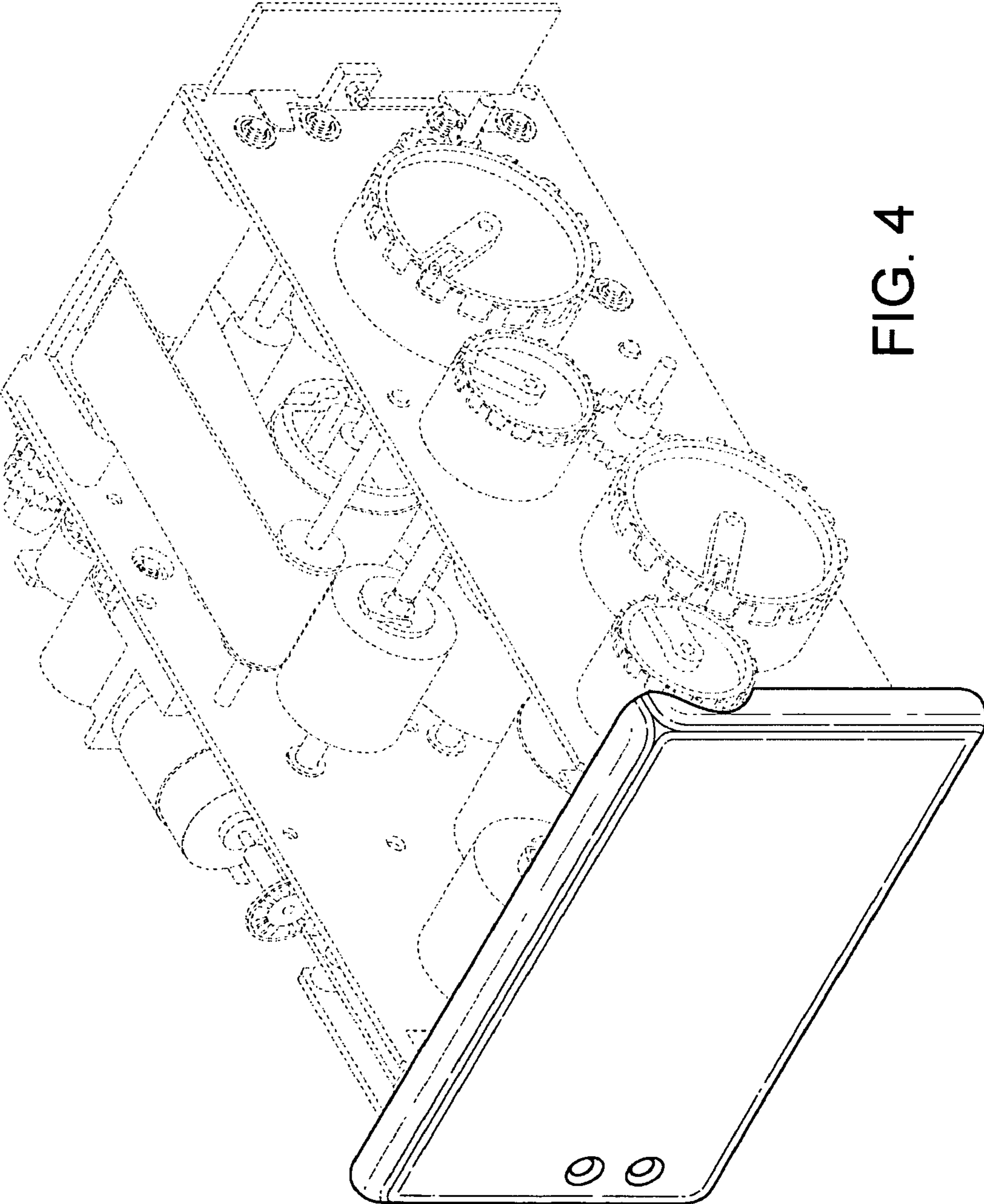


FIG. 4

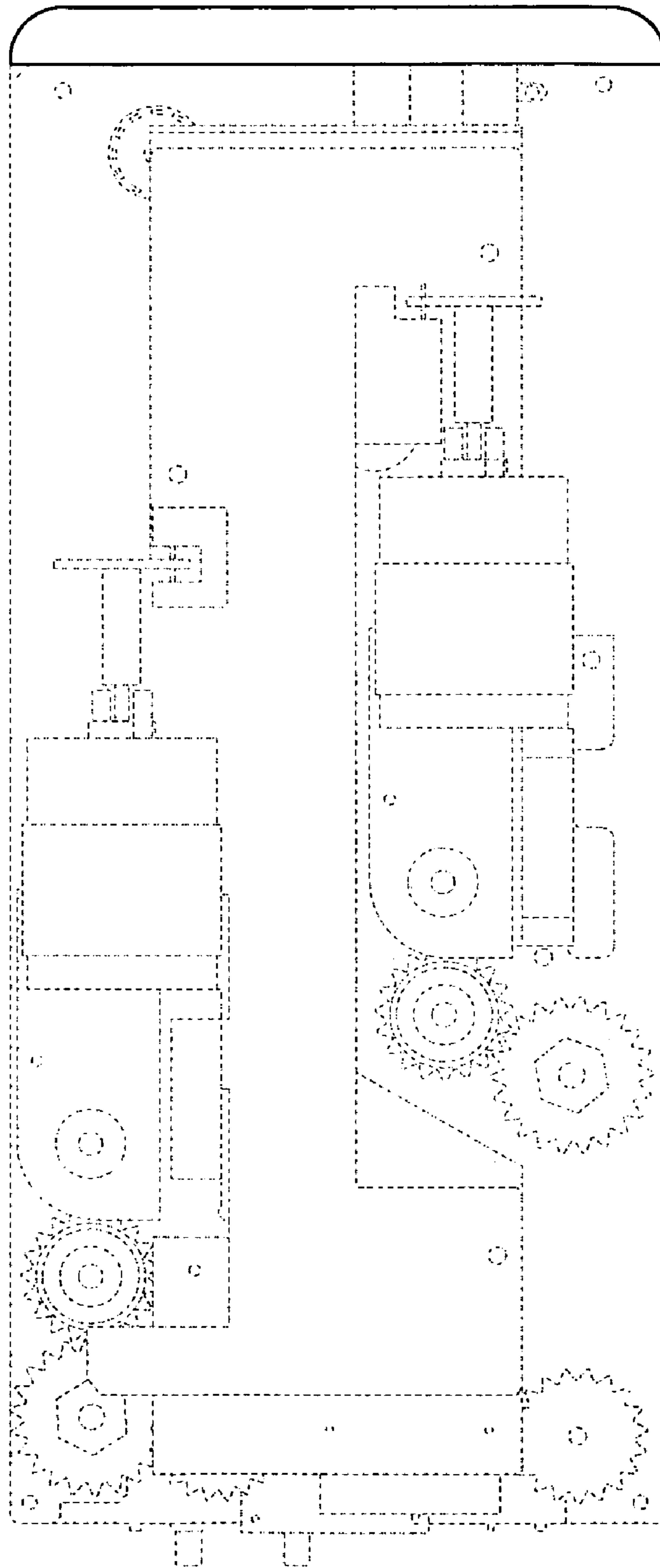


FIG. 5

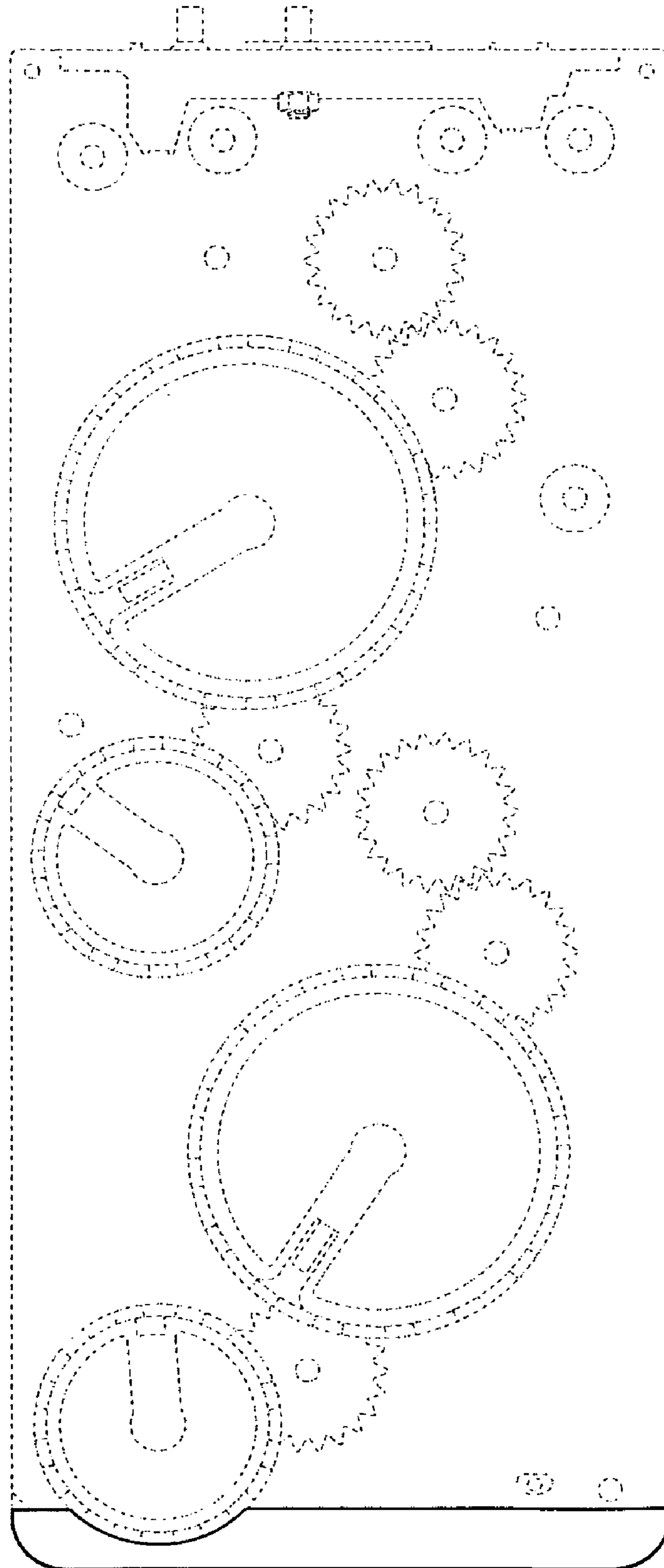


FIG. 6