



US00D593142S

(12) **United States Design Patent**
Yoshida

(10) **Patent No.:** **US D593,142 S**
(45) **Date of Patent:** **** May 26, 2009**

(54) **ELECTRONIC CAMERA**

(75) Inventor: **Koji Yoshida**, Tokyo (JP)

(73) Assignee: **Fujifilm Corporation**, Tokyo (JP)

(**) Term: **14 Years**

(21) Appl. No.: **29/287,677**

(22) Filed: **Sep. 7, 2007**

(30) **Foreign Application Priority Data**

Mar. 7, 2007 (JP) 2007-005938

(51) **LOC (9) Cl.** **16-01**

(52) **U.S. Cl.** **D16/202; D16/206**

(58) **Field of Classification Search** D16/200–206,
D16/208, 217, 218; 348/373–376; 358/906,
358/909.1; 396/535–541

See application file for complete search history.

(56) **References Cited**

U.S. PATENT DOCUMENTS

D447,500 S * 9/2001 Funato D16/202
6,393,225 B1 * 5/2002 Yamada 396/535
D481,052 S * 10/2003 Ogura D16/202
D493,809 S * 8/2004 Ogura D16/202
D511,351 S * 11/2005 Yatabe D16/202

D528,580 S * 9/2006 Sumita D16/206
D565,623 S * 4/2008 Yasutomi D16/206
D567,835 S * 4/2008 Sumita D16/206

* cited by examiner

Primary Examiner—Adir Aronovich
(74) *Attorney, Agent, or Firm*—Young & Thompson

(57) **CLAIM**

The ornamental design for an electronic camera, as shown and described.

DESCRIPTION

FIG. 1 is a top, front and right side perspective view of an electronic camera showing my new design;
FIG. 2 is a front elevational view thereof;
FIG. 3 is a rear elevational view thereof;
FIG. 4 is a top plan view thereof;
FIG. 5 is a bottom plan view thereof;
FIG. 6 is a left side elevational view thereof;
FIG. 7 is a right side elevational view thereof;
FIG. 8 is a top, rear and left side perspective view thereof; and,
FIG. 9 is a top, front and left side perspective view thereof.

1 Claim, 5 Drawing Sheets

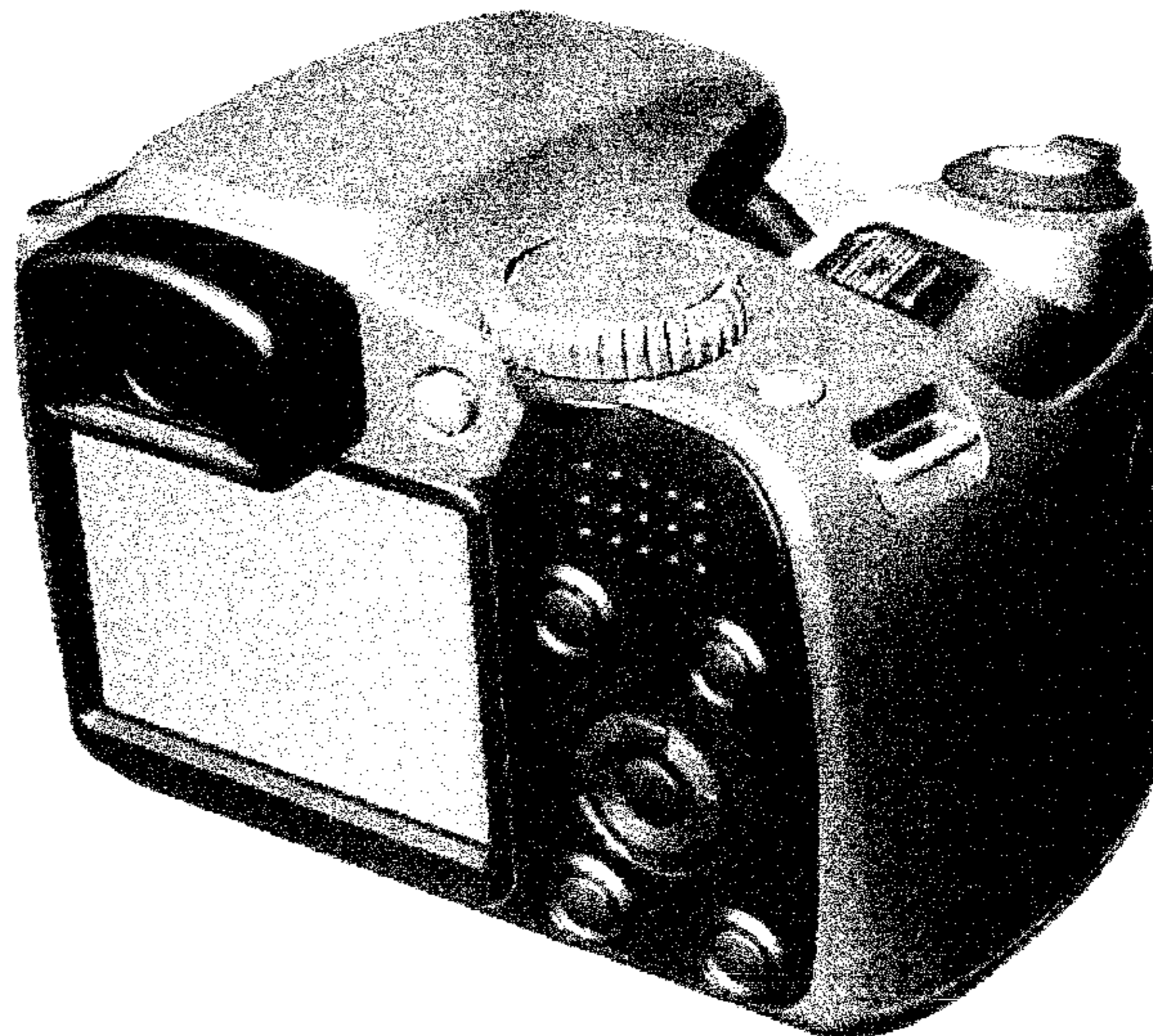
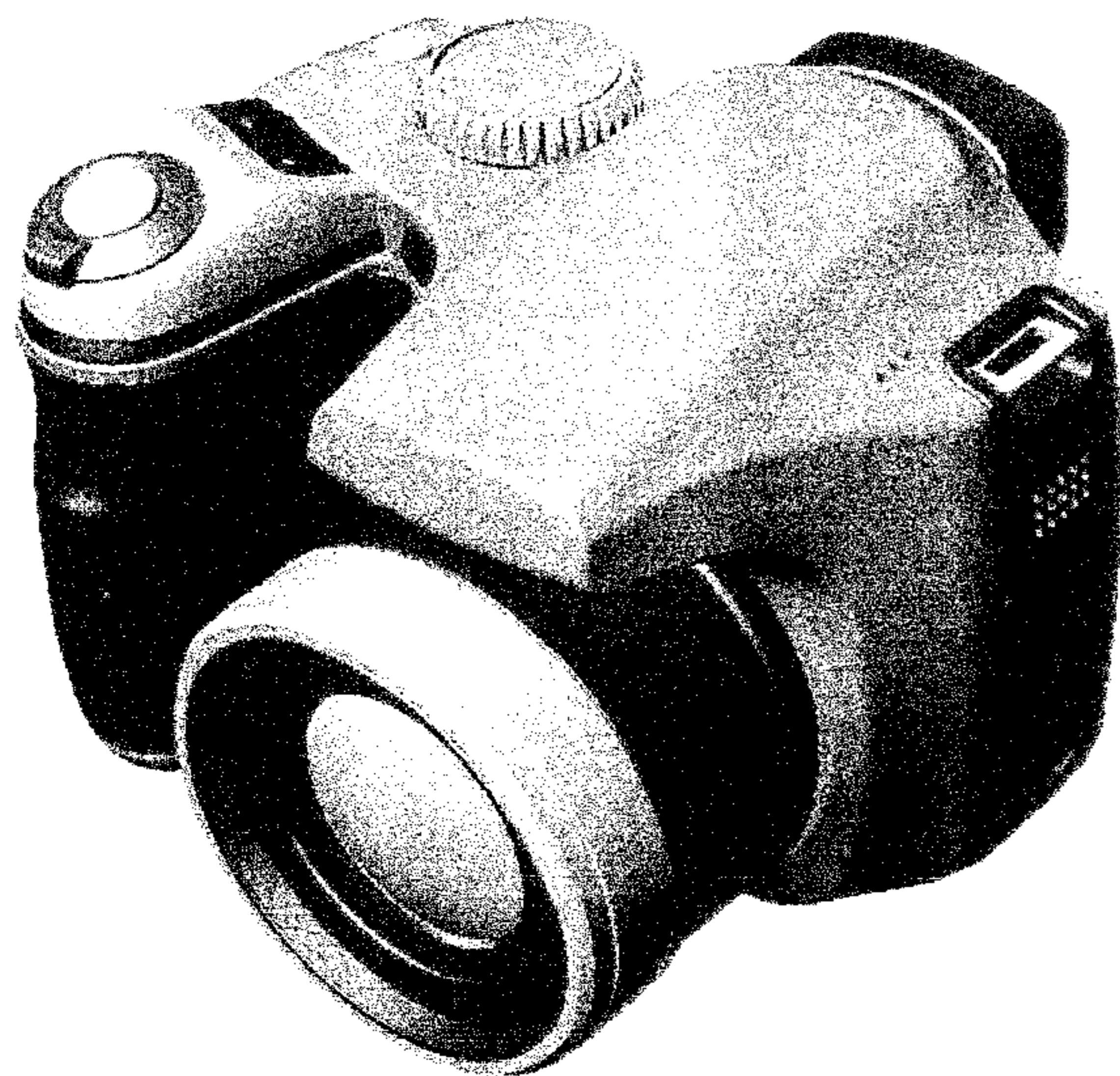


FIG. 1



FIG. 2

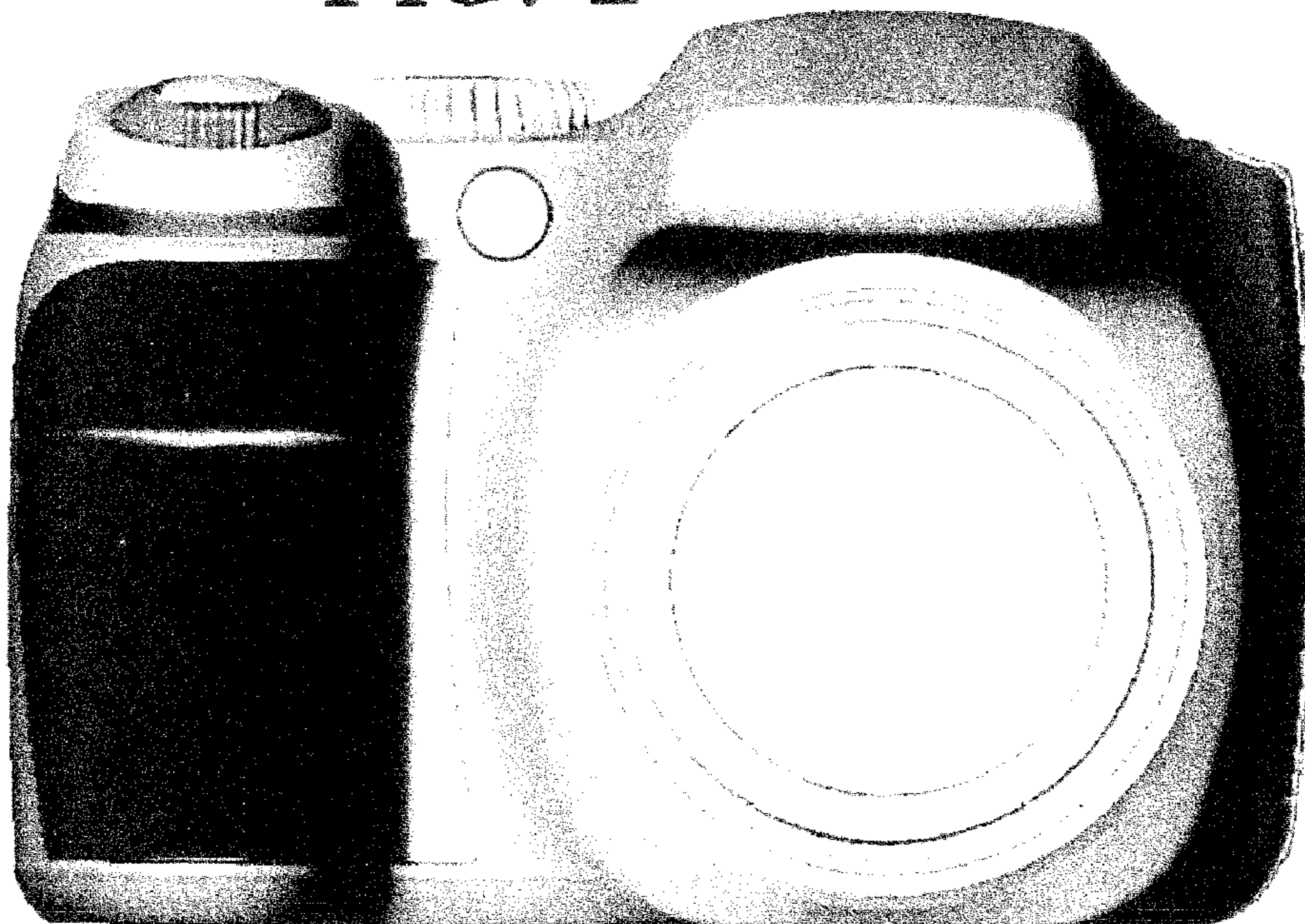


FIG. 3

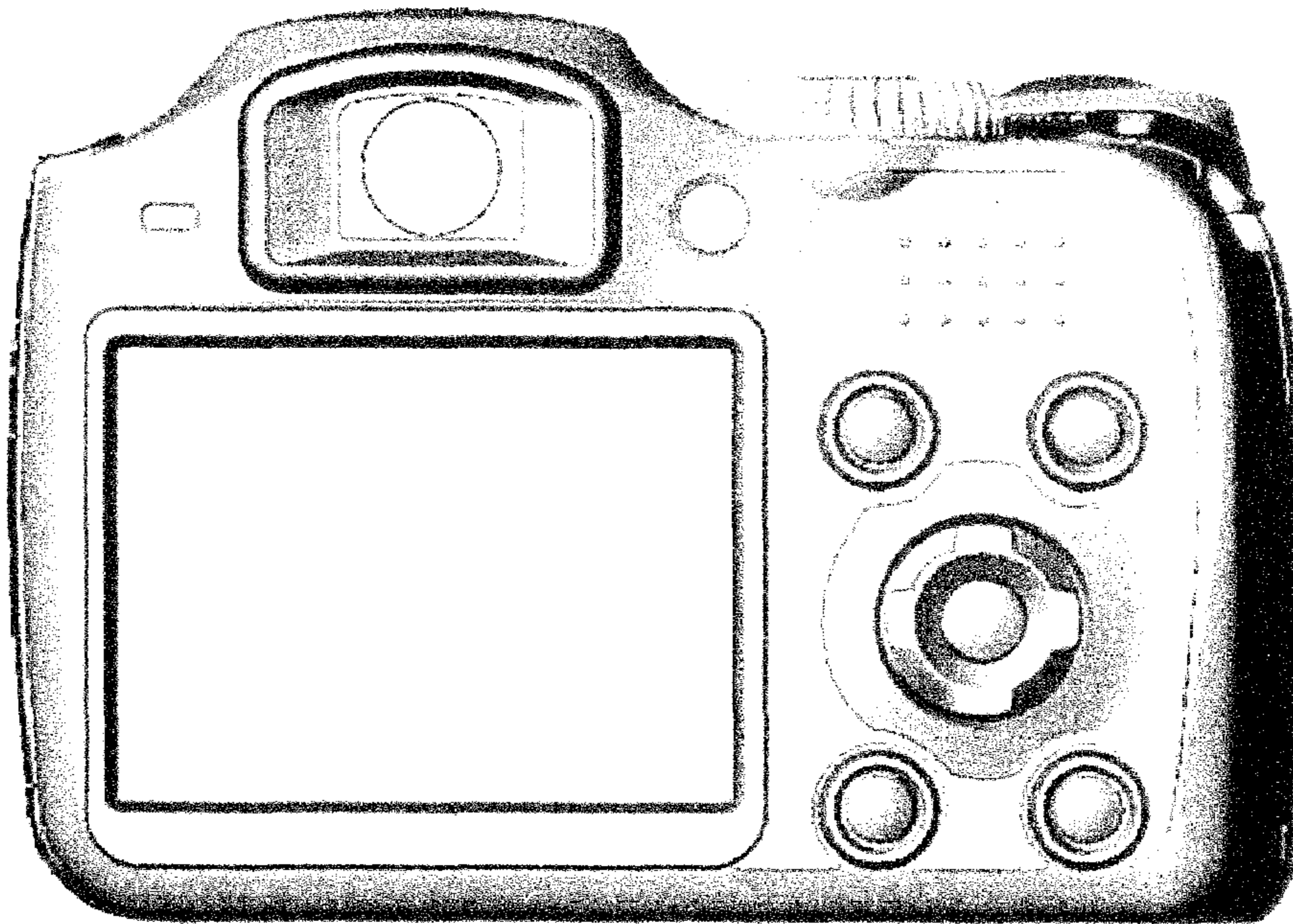


FIG. 4

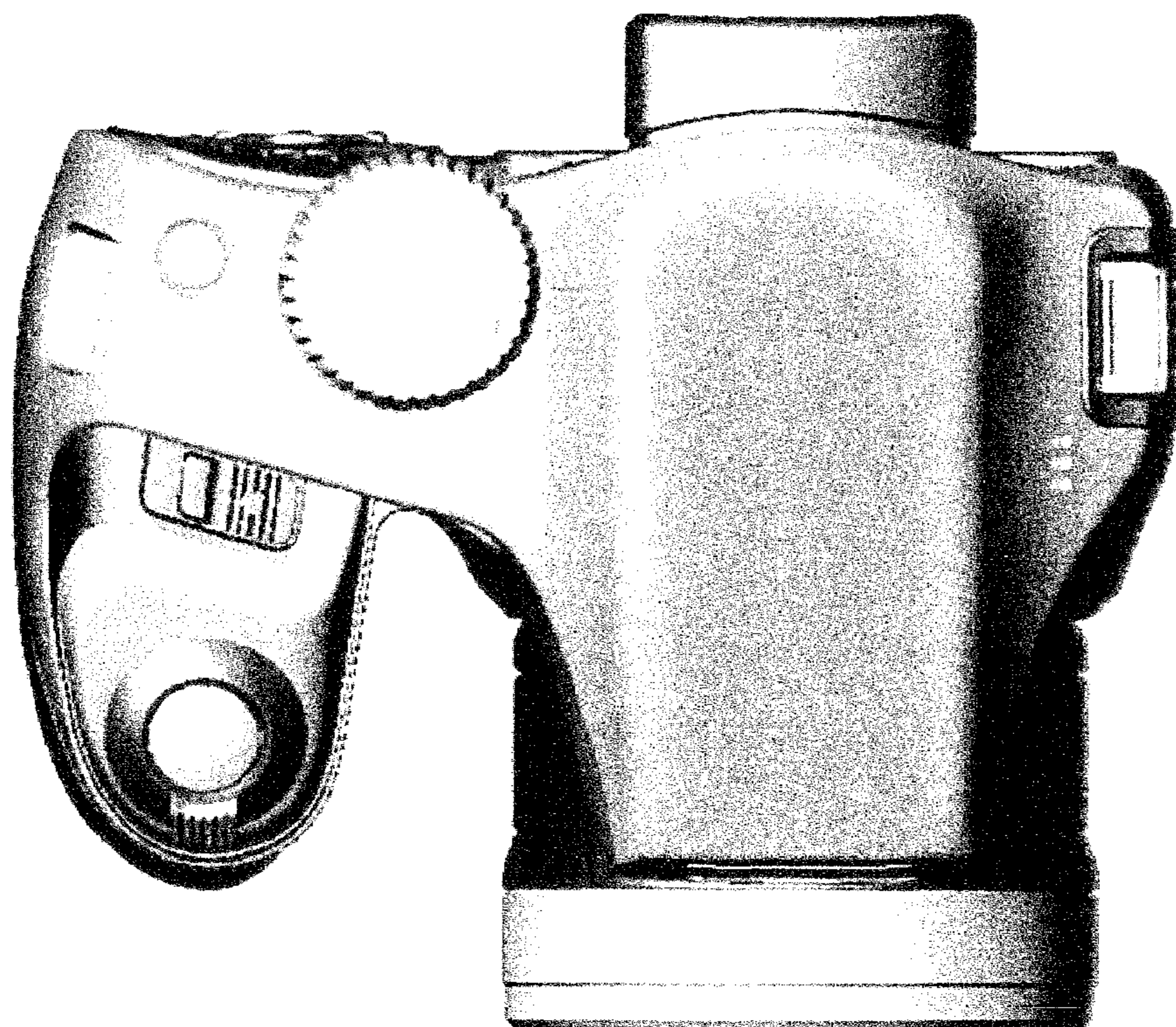


FIG. 5

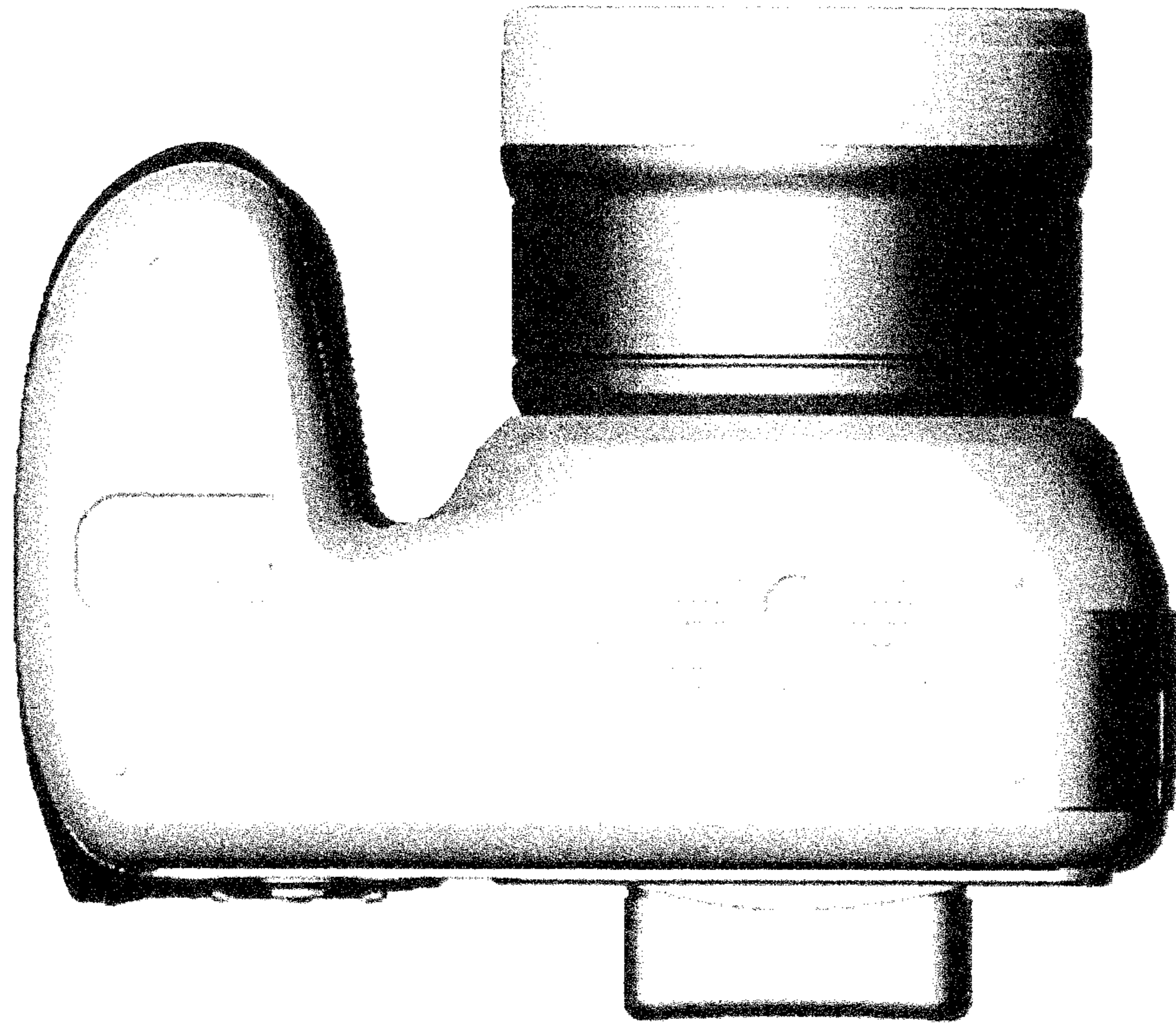


FIG. 6

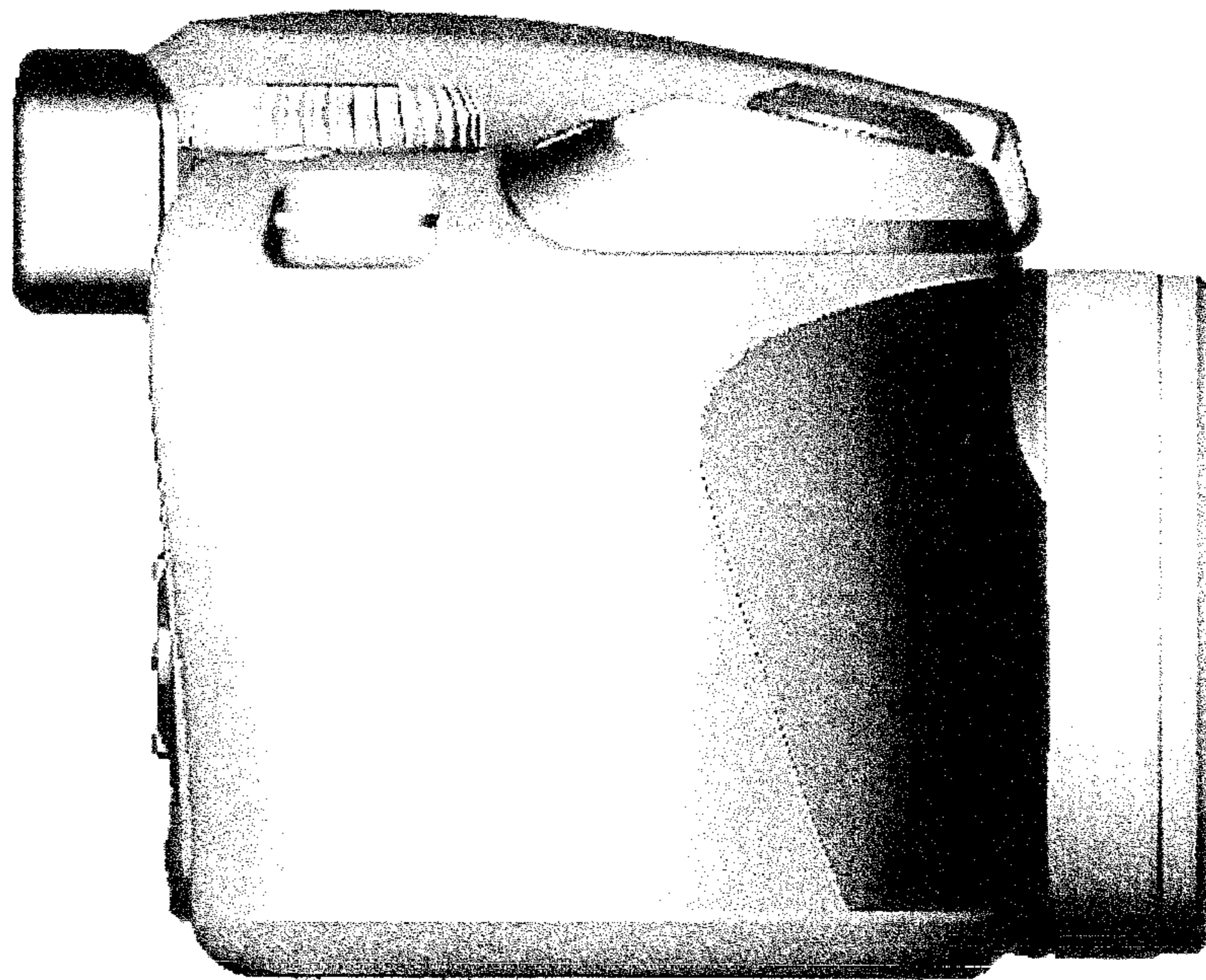


FIG. 7

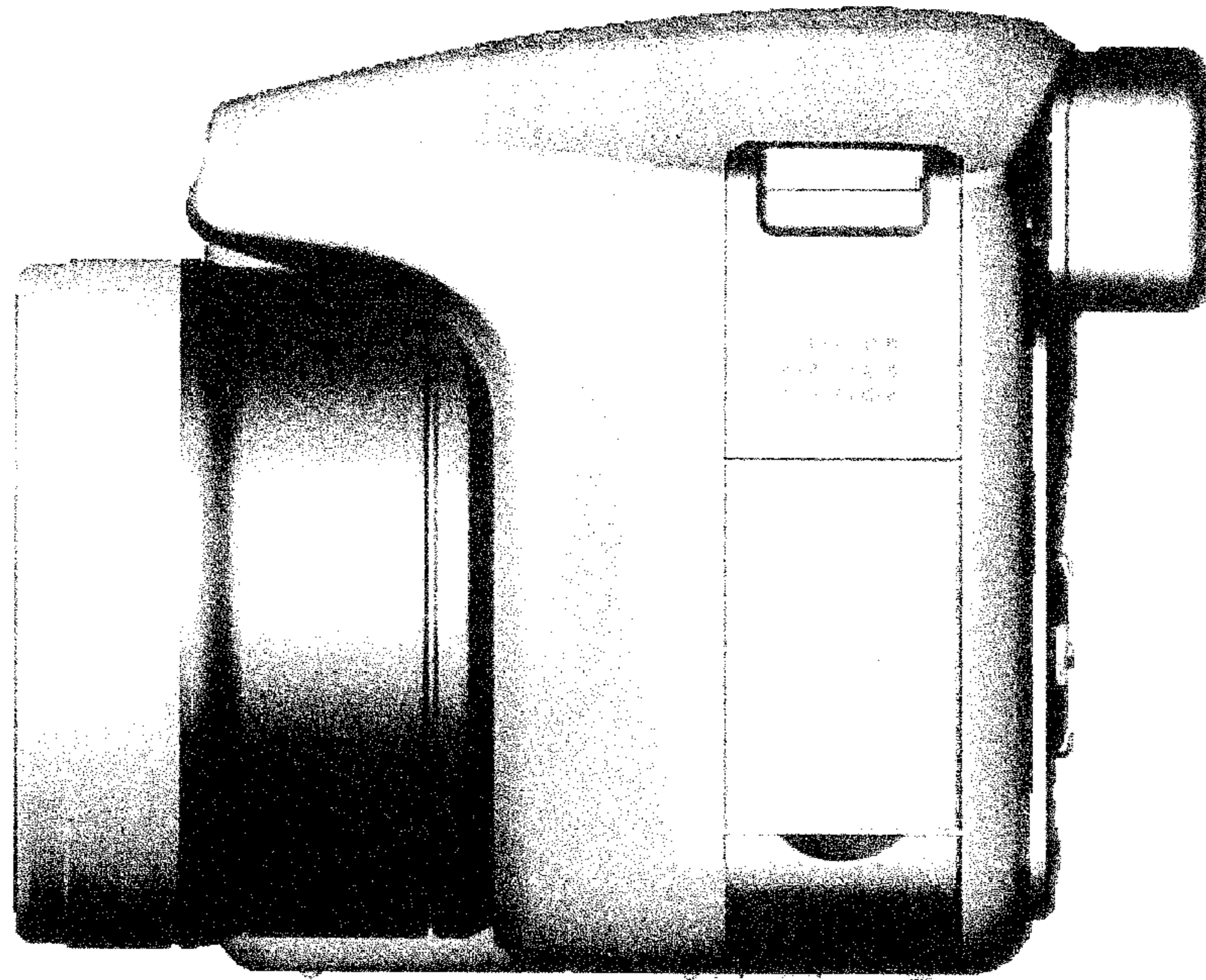


FIG. 8



FIG. 9

