



US00D593141S

(12) **United States Design Patent**  
**Gaudron**

(10) **Patent No.:** **US D593,141 S**

(45) **Date of Patent:** **\*\* May 26, 2009**

(54) **WALL DRILLER**

(75) Inventor: **Paul Gaudron**, Stratford, CT (US)

(73) Assignee: **Power Fasteners, Inc.**, Brewster, NY (US)

(\*\*) Term: **14 Years**

(21) Appl. No.: **29/297,016**

(22) Filed: **Nov. 1, 2007**

(51) **LOC (9) Cl.** ..... **15-09**

(52) **U.S. Cl.** ..... **D15/139; D8/385**

(58) **Field of Classification Search** ..... D8/382,  
D8/384-389; D15/138, 139; 52/153, 157;  
405/253; 411/107, 108, 347, 352, 353, 397,  
411/399, 400, 403, 480, 484

See application file for complete search history.

(56) **References Cited**

**U.S. PATENT DOCUMENTS**

D104,473	S	*	5/1937	Phillips	.....	D8/387
2,996,943	A	*	8/1961	Johnson	.....	411/403
D223,560	S	*	5/1972	Hirata	.....	D8/387
3,675,694	A	*	7/1972	Barlow	.....	81/460
5,160,225	A	*	11/1992	Chern	.....	411/30
5,353,667	A	*	10/1994	Wilner	.....	81/436
5,457,918	A	*	10/1995	Plourde	.....	52/165
D381,892	S	*	8/1997	Porter et al.	.....	D8/387
5,752,792	A	*	5/1998	McSherry	.....	411/31
5,779,417	A	*	7/1998	Barth et al.	.....	411/412

5,833,415	A	*	11/1998	McSherry	.....	411/31
5,944,295	A	*	8/1999	McSherry	.....	248/304
D416,475	S	*	11/1999	DePrisco	.....	D8/387
6,032,880	A	*	3/2000	Verrills et al.	.....	248/530
6,139,236	A	*	10/2000	Ito	.....	411/30
6,361,258	B1	*	3/2002	Heesch	.....	411/178
6,382,892	B1	*	5/2002	Hempfling	.....	411/30
D462,895	S	*	9/2002	Gaudron	.....	D8/385
D506,922	S	*	7/2005	Simon	.....	D8/387
D549,088	S	*	8/2007	Gallien	.....	D8/387

\* cited by examiner

*Primary Examiner*—Sandra Snapp

*Assistant Examiner*—Patricia Palasik

(74) *Attorney, Agent, or Firm*—Cantor Colburn LLP

(57) **CLAIM**

The ornamental design for a wall driller, as shown and described.

**DESCRIPTION**

FIG. 1 is a first side view of the wall driller;

FIG. 2 is a side view taken 90 degrees from FIG. 1;

FIG. 3 is a side view taken 180 degrees from FIG. 2;

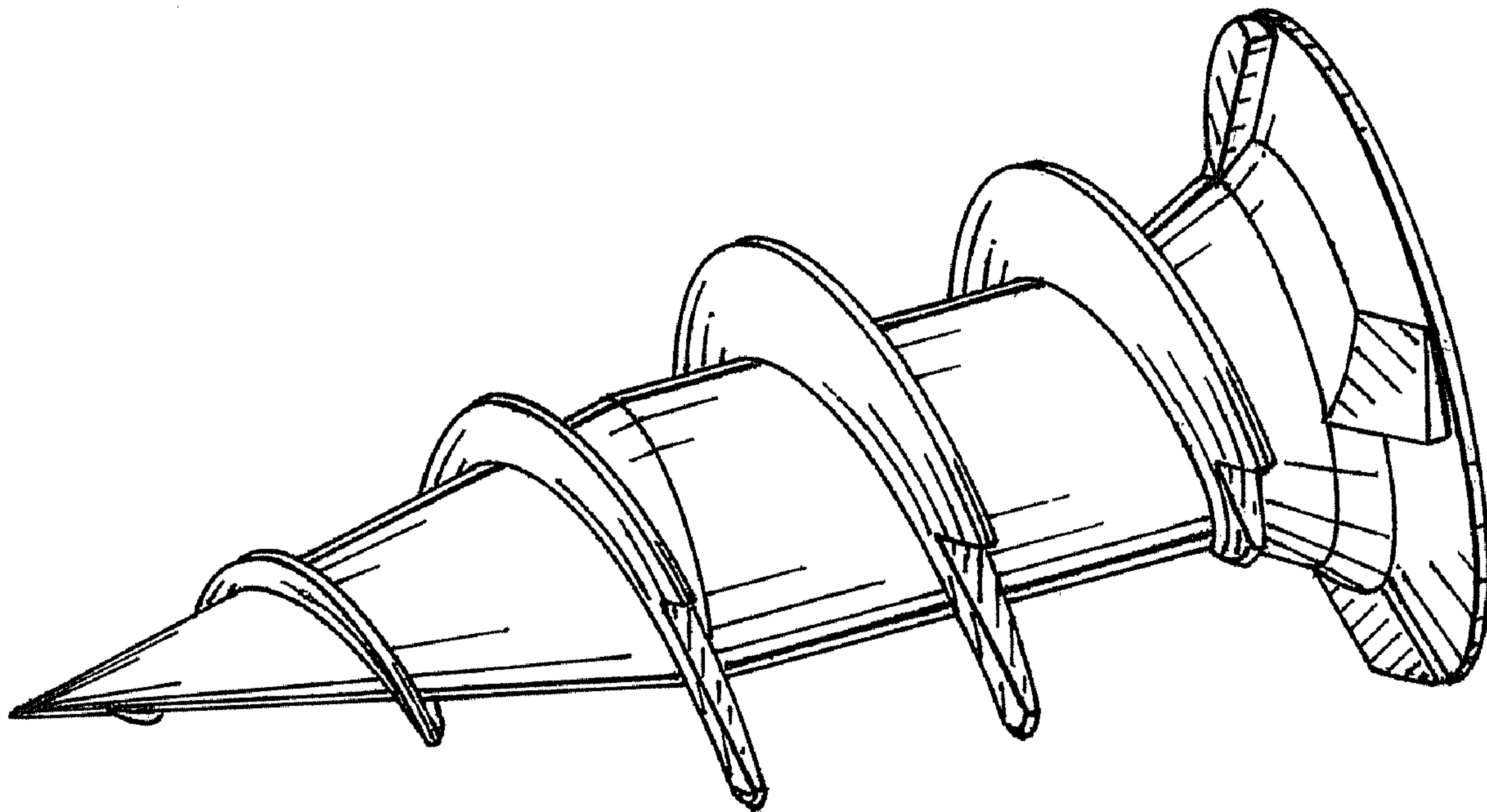
FIG. 4 is a side view taken 180 degrees from FIG. 1;

FIG. 5 is a bottom view of the wall driller;

FIG. 6 is a top view of the wall driller; and,

FIG. 7 is a perspective view of the wall driller.

**1 Claim, 3 Drawing Sheets**



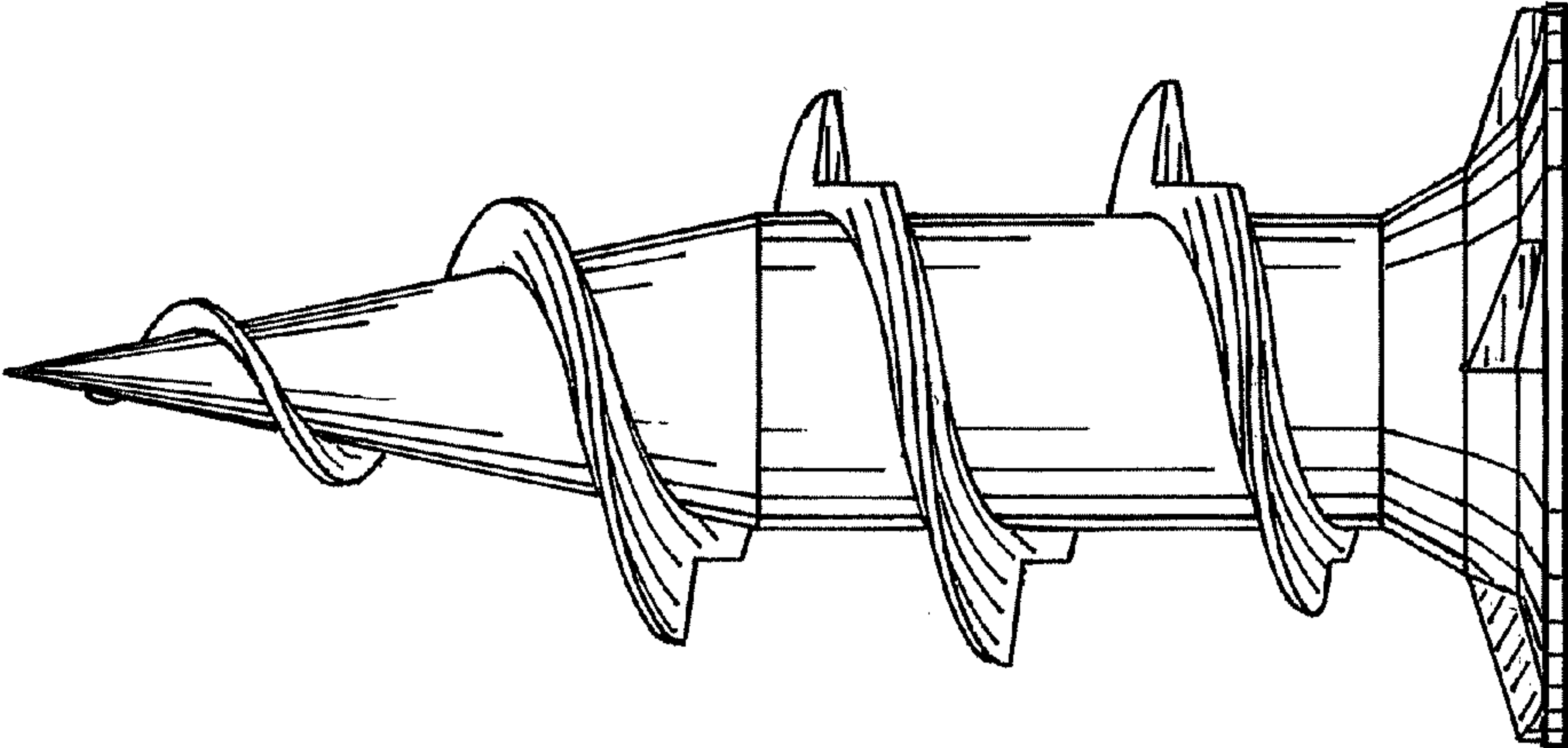


FIG. 2

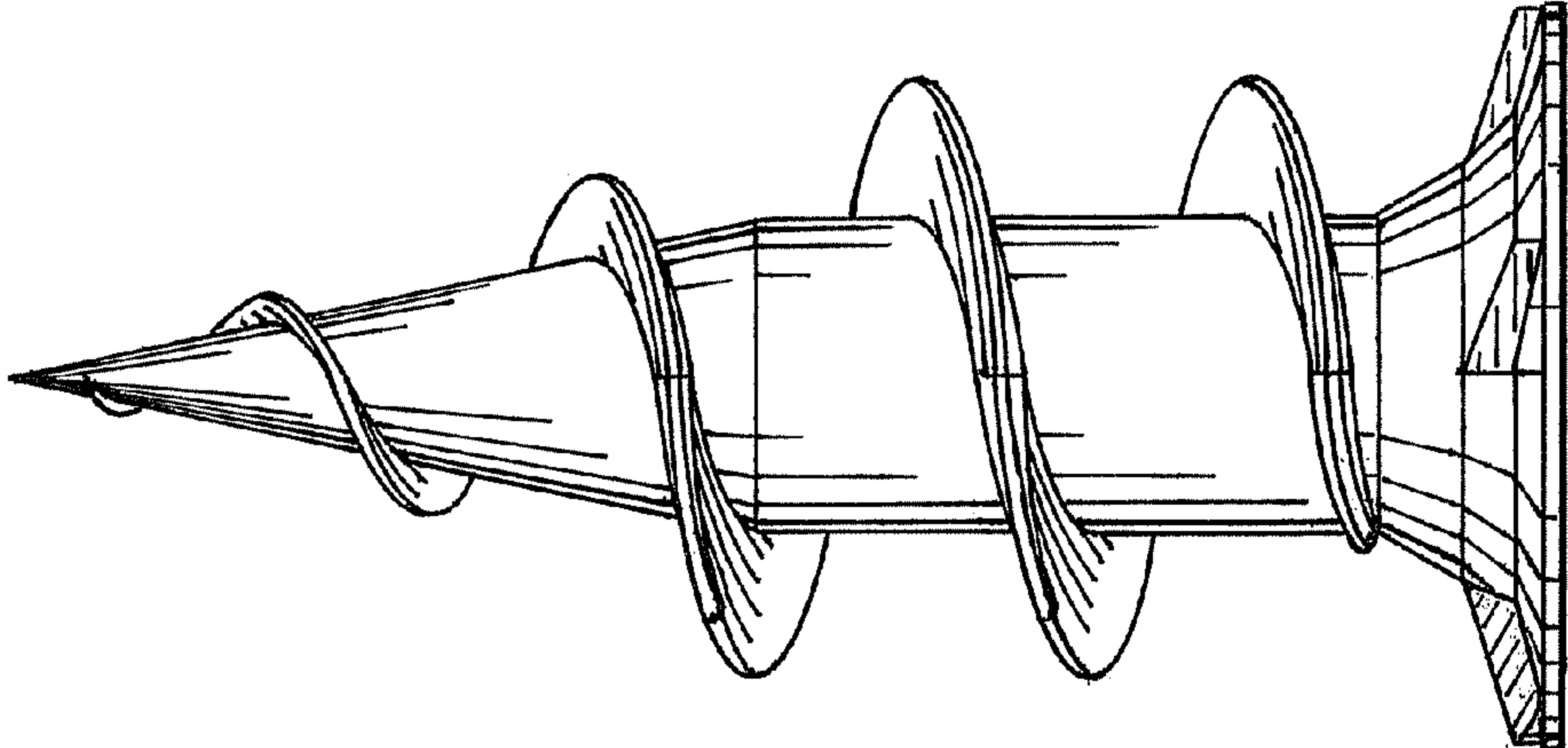


FIG. 1

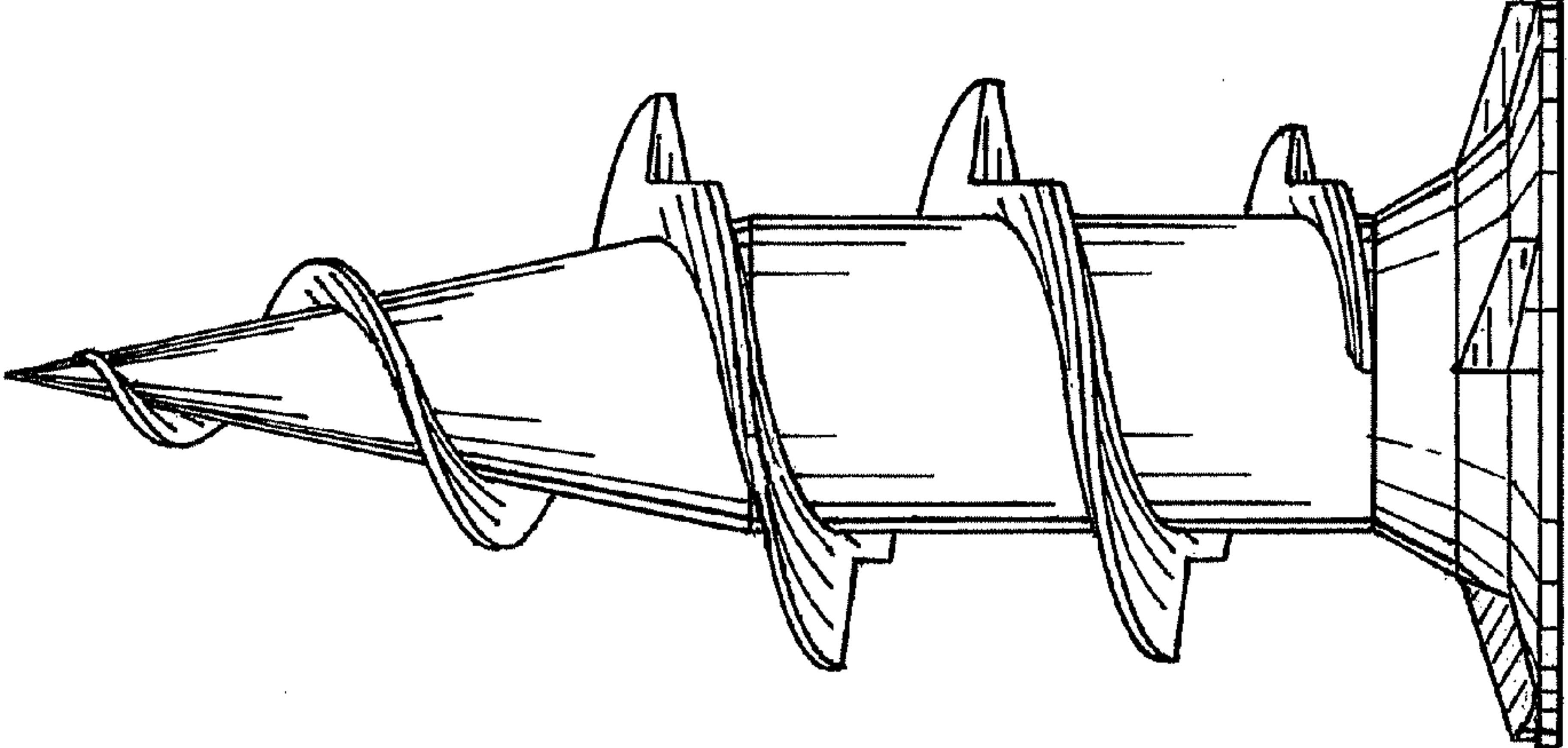


FIG. 3

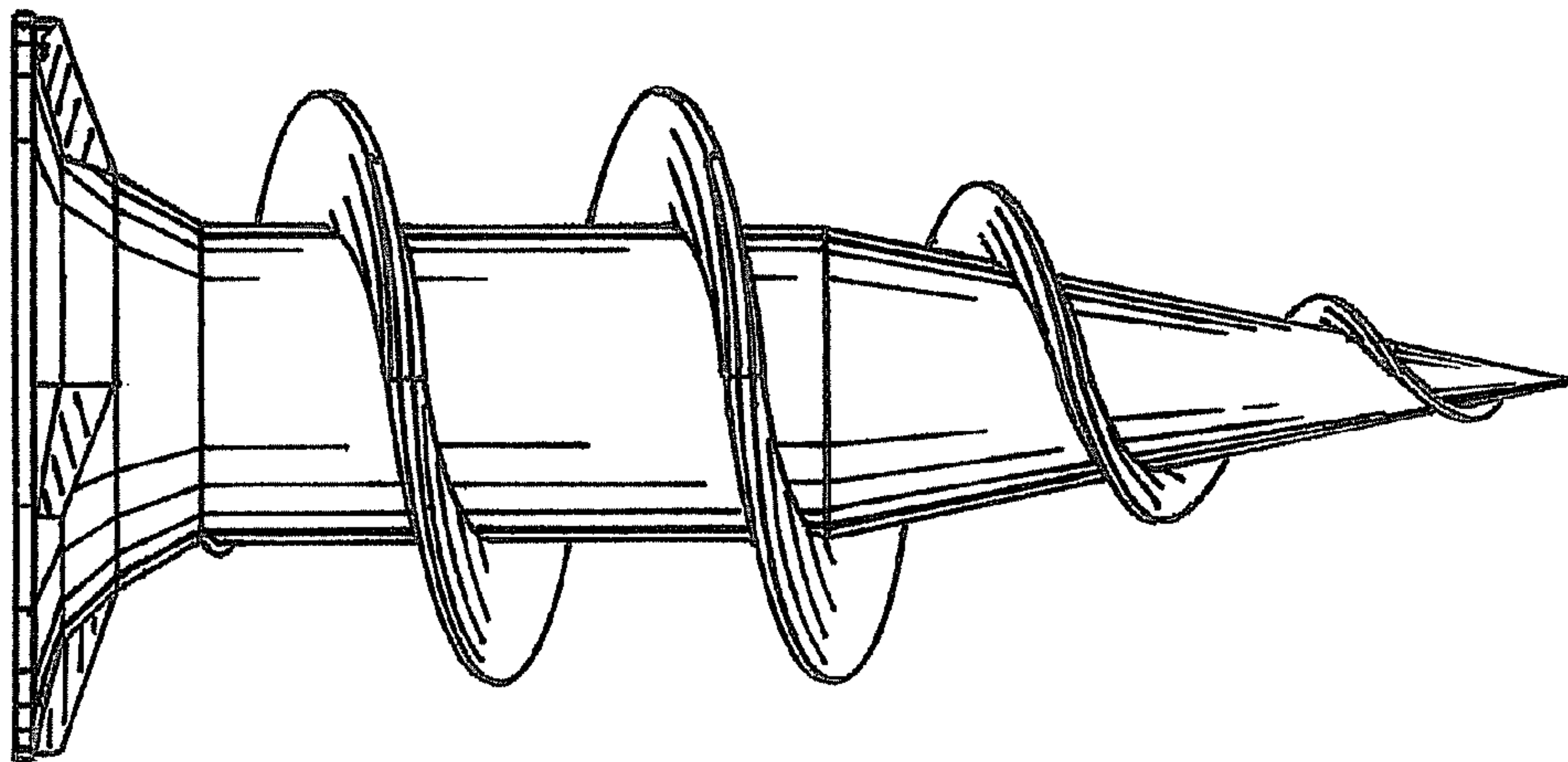


FIG. 4

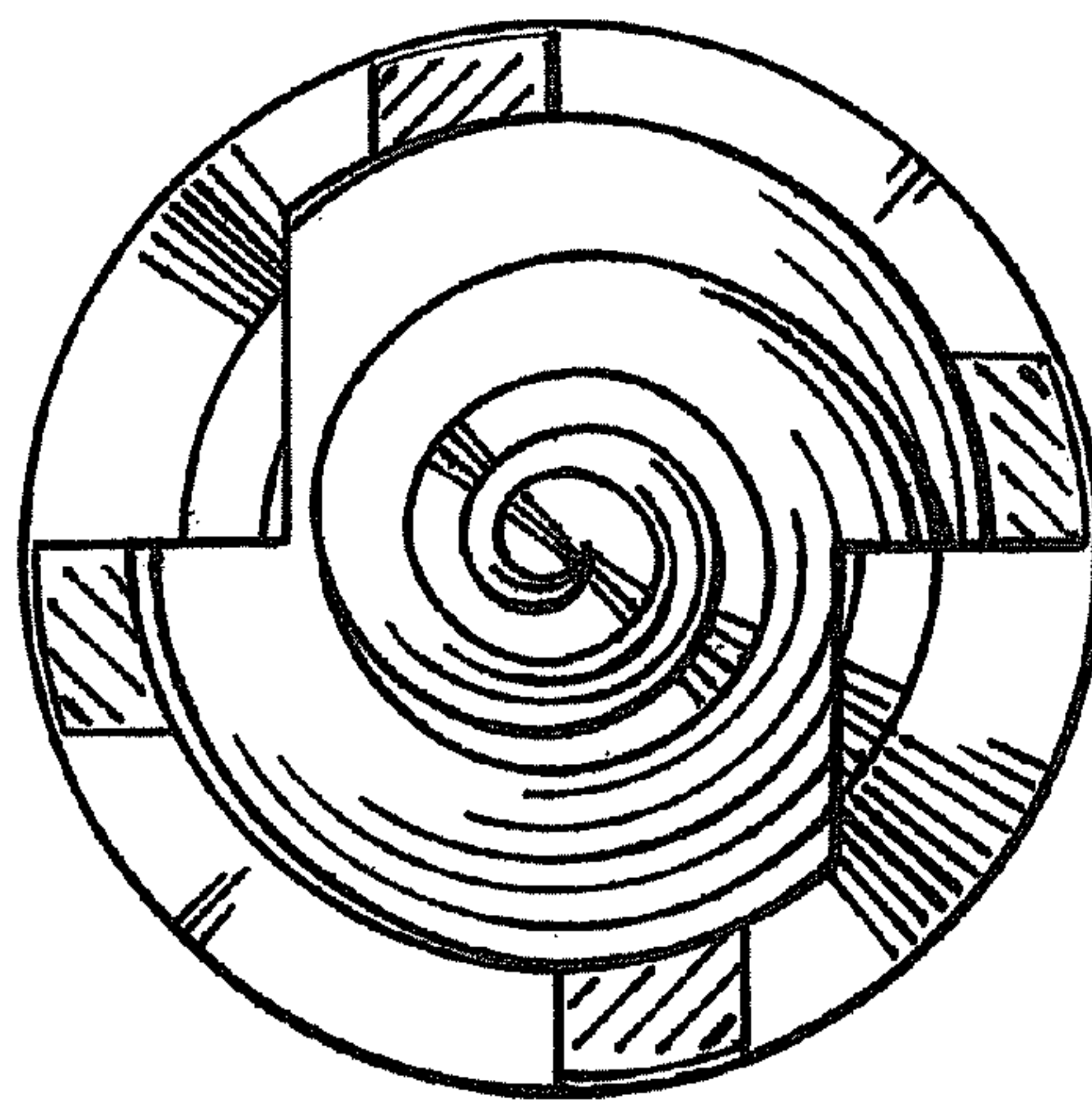


FIG. 5

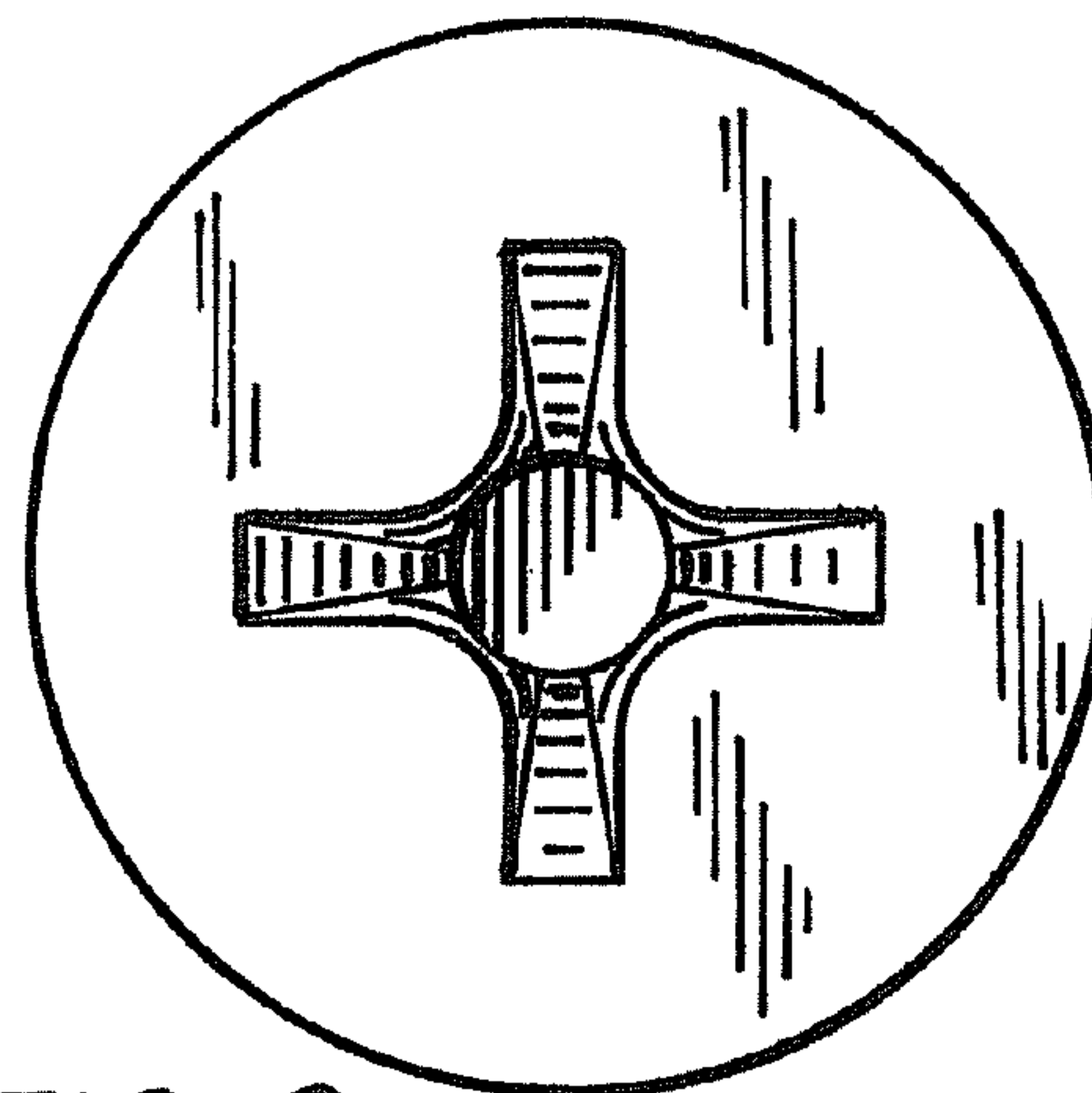
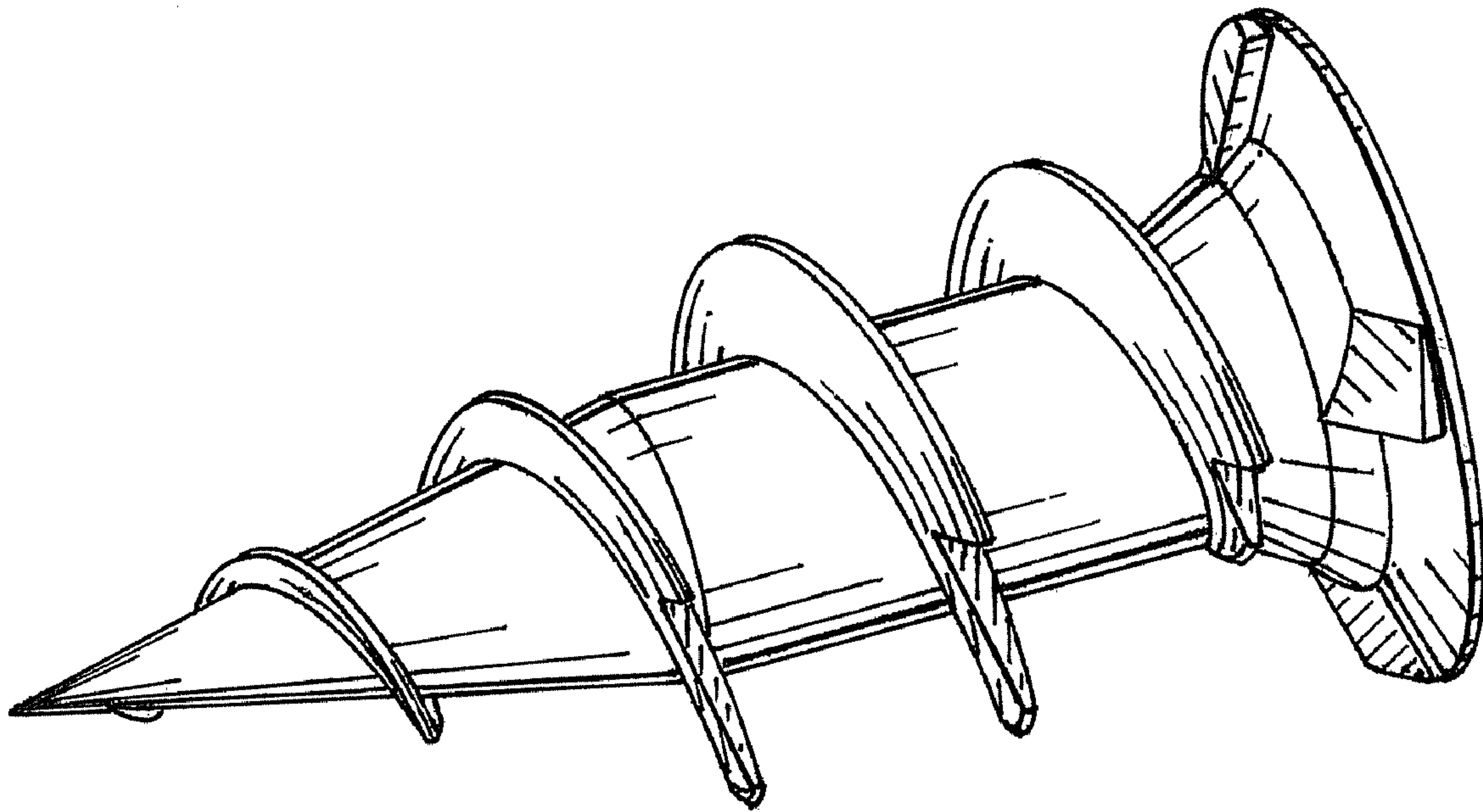


FIG. 6





*FIG. 7*