



US00D593140S

(12) **United States Design Patent**
Hyde

(10) **Patent No.:** **US D593,140 S**

(45) **Date of Patent:** **** May 26, 2009**

(54) **LAPPING PLATE**

(75) Inventor: **Brent K. Hyde**, Ottawa (CA)

(73) Assignee: **Lee Valley Tools, Ltd.**, Ottawa, Ontario (CA)

(**) Term: **14 Years**

(21) Appl. No.: **29/301,875**

(22) Filed: **Mar. 19, 2008**

(51) **LOC (9) Cl.** **15-09**

(52) **U.S. Cl.** **D15/126**

(58) **Field of Classification Search** D15/199,
D15/124, 126, 138; D8/70, 93; 33/1 BB,
33/174 H; 51/56, 131.1, 131.2, 209 R, 266,
51/267, 285, 293, 307; 451/45, 264, 265,
451/550

See application file for complete search history.

(56) **References Cited**

U.S. PATENT DOCUMENTS

14,303 A	2/1856	Kasson	
102,994 A	5/1870	Webster	
207,339 A	8/1878	Barwick	
441,758 A	12/1890	Gowdy	
446,551 A	2/1891	Chamberlain	
579,726 A	3/1897	Hillaire	
845,987 A *	3/1907	Wadsworth	451/550
940,773 A	11/1909	Ackermann	
1,190,718 A	7/1916	Brunsell et al.	
D56,250 S	9/1920	Graf	
1,471,136 A	10/1923	Borleis	
1,551,086 A *	8/1925	Chase	451/550
1,936,990 A	11/1933	Piermann	
2,069,608 A	2/1937	Hammond	
2,115,778 A	5/1938	Krahenbuhl	
D123,490 S	11/1940	Saffell	
D149,342 S	4/1948	Davis	
D150,955 S	9/1948	Jacobs	
D151,324 S	10/1948	Chaplin et al.	
D153,706 S	5/1949	Lathom	
2,499,331 A	2/1950	Robitaille	

2,749,683 A *	6/1956	Soderman	451/550
3,762,053 A *	10/1973	Day	33/1 BB
D229,476 S	12/1973	Farquharson	
D247,672 S *	4/1978	Kruse	D15/126
D249,079 S	8/1978	Soderman et al.	

(Continued)

FOREIGN PATENT DOCUMENTS

GB	293785	3/1928
----	--------	--------

OTHER PUBLICATIONS

The 1995 Garrett Wade Tool Catalog, Sep. 1994-Sep. 1995, items numbered "E", Harris True One-Handed Scraper Burnisher, and F, Improved Comprehensive Harris Scraper Blade Conditioner.

(Continued)

Primary Examiner—Sandra Snapp
Assistant Examiner—Patricia Palasik
(74) *Attorney, Agent, or Firm*—Kilpatrick Stockton LLP;
John S. Pratt; Camilla C. Williams

(57) **CLAIM**

The ornamental design for a lapping plate, as shown and described.

DESCRIPTION

FIG. 1 is a perspective view of the lapping plate of this invention.

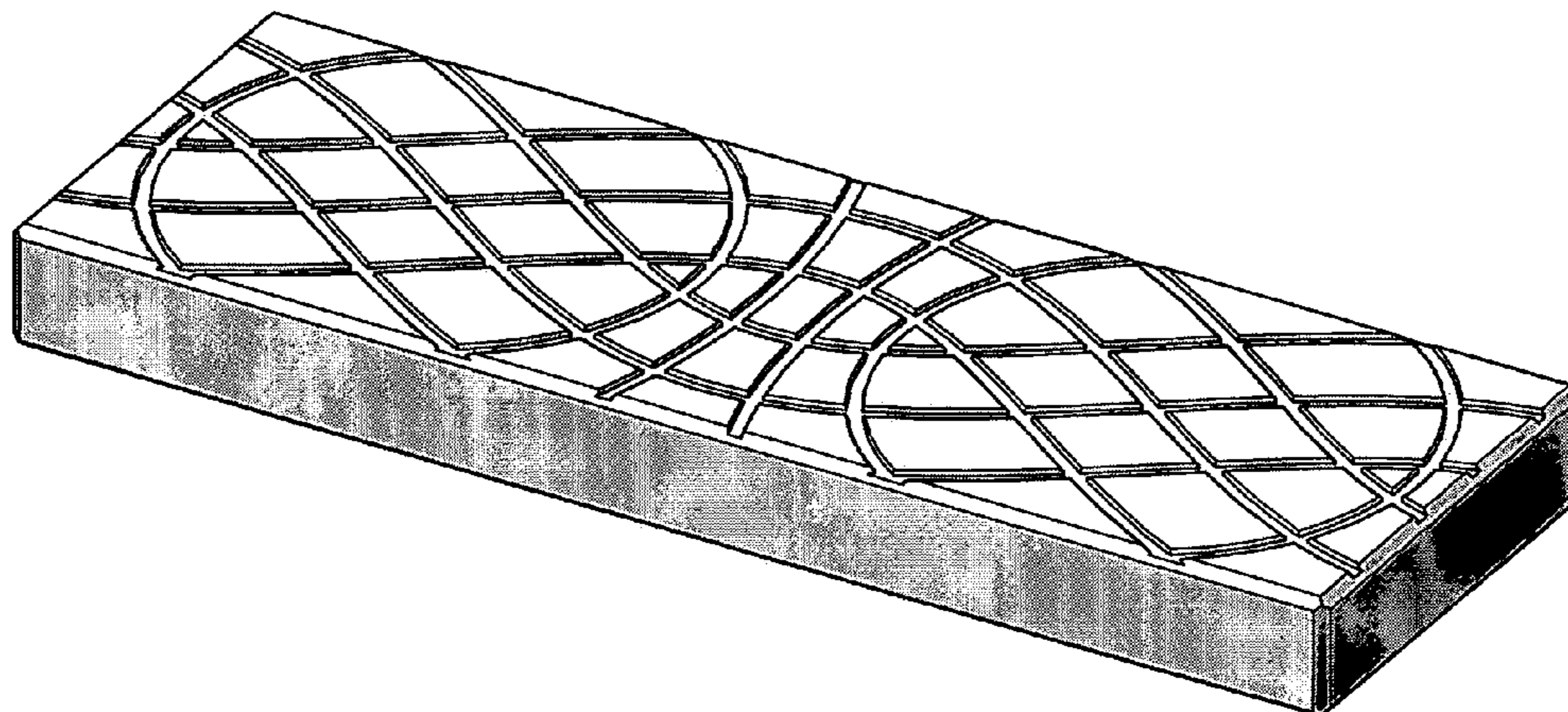
FIG. 2 is a top plan view of the design for the lapping plate shown in FIG. 1.

FIG. 3 is a bottom plan view of the design for the lapping plate shown in FIG. 1.

FIG. 4 is a side elevation view of the design for the lapping plate shown in FIG. 1, the other side of which is a mirror image; and,

FIG. 5 is an end view of the design for the lapping plate shown in FIG. 1, the other end of which is a mirror image.

1 Claim, 3 Drawing Sheets



U.S. PATENT DOCUMENTS

D273,360	S	4/1984	Hill	
4,498,360	A	2/1985	Milum	
4,866,886	A *	9/1989	Holmstrand	51/307
4,934,110	A	6/1990	Juranitch	
4,996,800	A *	3/1991	Mangus	451/28
5,036,625	A *	8/1991	Gosis	451/286
5,099,722	A	3/1992	Lee	
5,461,943	A	10/1995	Munkel	
D474,666	S *	5/2003	Jeong et al.	D8/70
6,932,684	B1 *	8/2005	Hunt	451/264
6,949,128	B2 *	9/2005	Annen	51/295
6,986,706	B1 *	1/2006	Cooper et al.	451/527
2007/0054607	A1 *	3/2007	Yasuoka et al.	451/56
2007/0072521	A1 *	3/2007	Tsuchida	451/45

2008/0305719 A1* 12/2008 Thomas et al. 451/37

OTHER PUBLICATIONS

The 1994 Garrett Wade Tool Catalog, Sep. 1993-Sep. 1994, p. 74, item number "A," Harris Scraper Blade Conditioner.
Lee Valley Catalog entitled Fine Woodworking Tools 1992/93, p. 26, item numbered "E", Veritas.RTM. Jointer/Edger.
Lee Valley Catalog entitled Fine Woodworking Tools 1992/93, p. 27, item numbered "A", Veritas.RTM. Variable Burnisher.
"Hand Scrapers," ShopNotes, Issue 2 (Mar. 1992), pp. 12-15.
George Ott (ULMIA) Catalog (Apr. 1989), pp. 38-39.
Lee Valley Catalog (1984), pp. 131-132.
Lee Valley Tools Catalog (1984), p. 17.

* cited by examiner

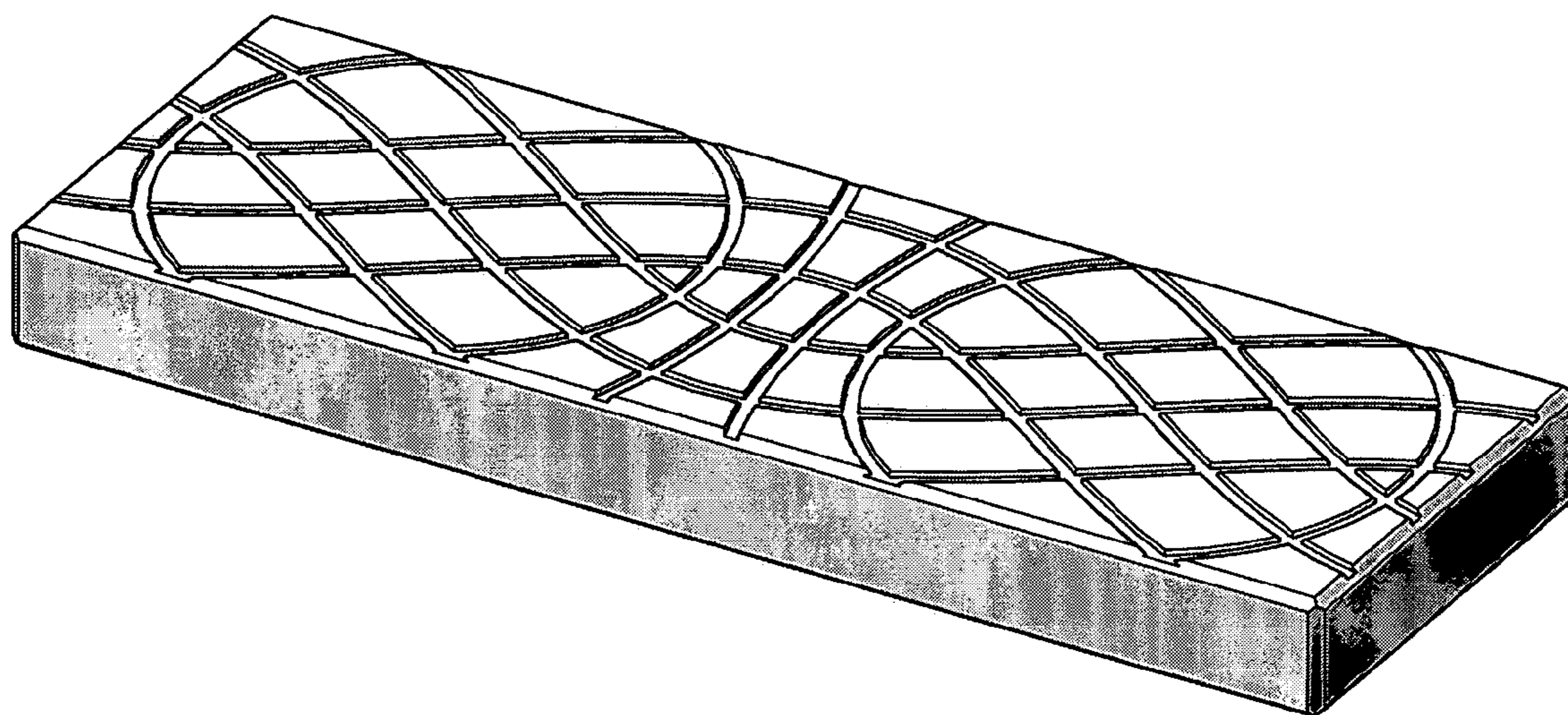


FIG. 1

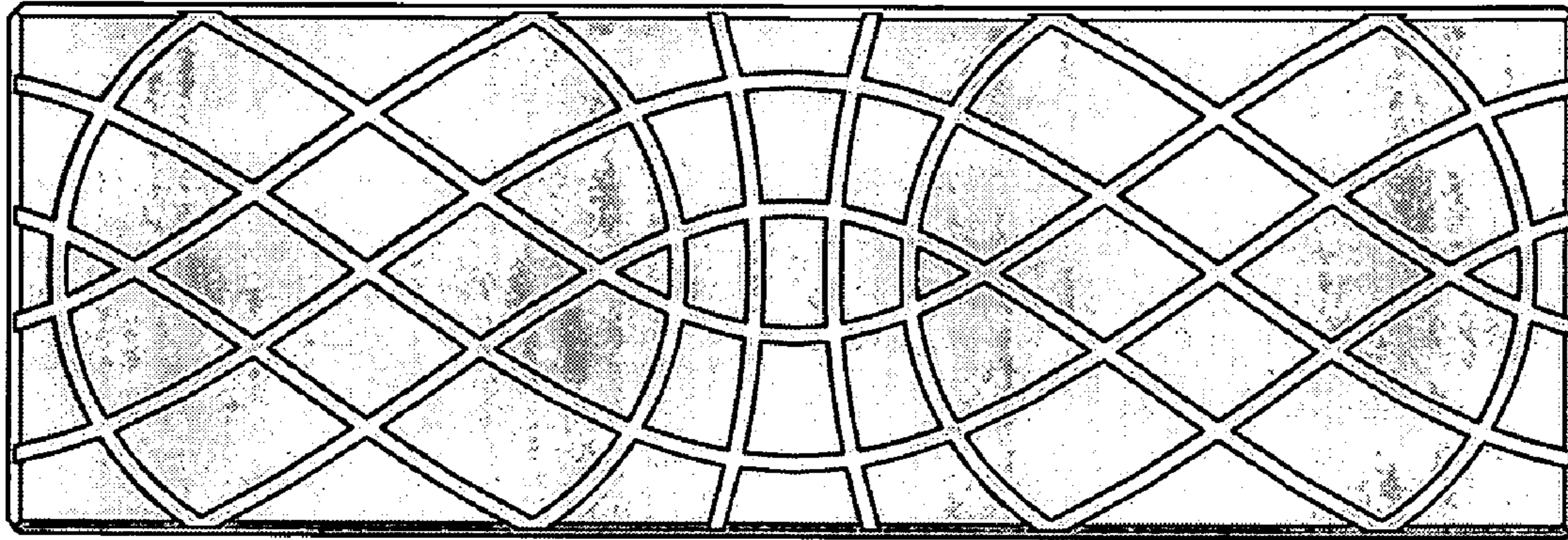


FIG. 2

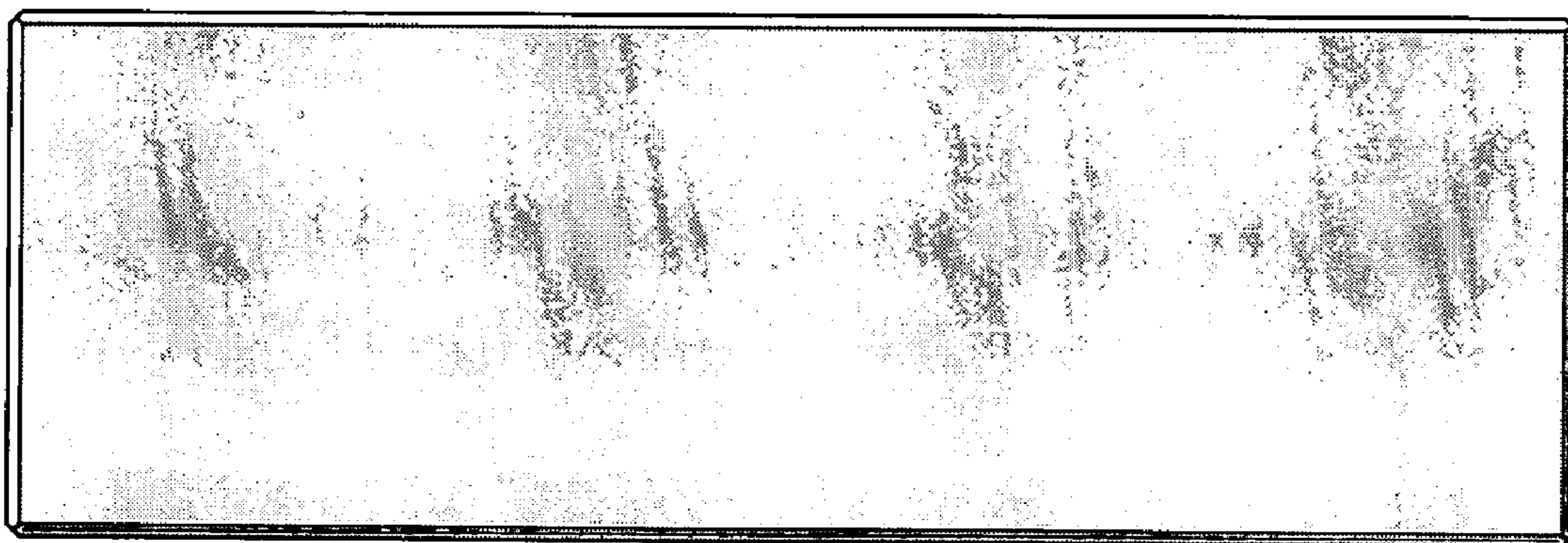


FIG. 3

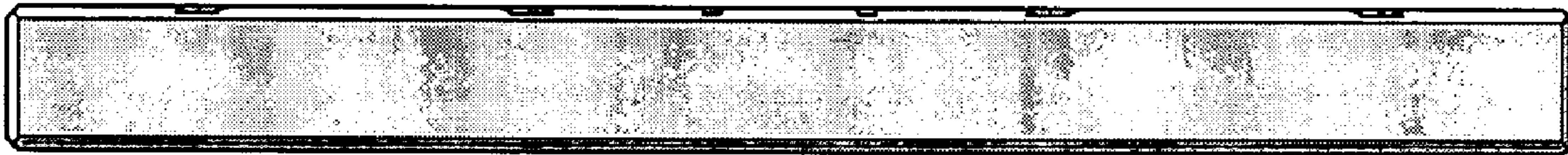


FIG. 4

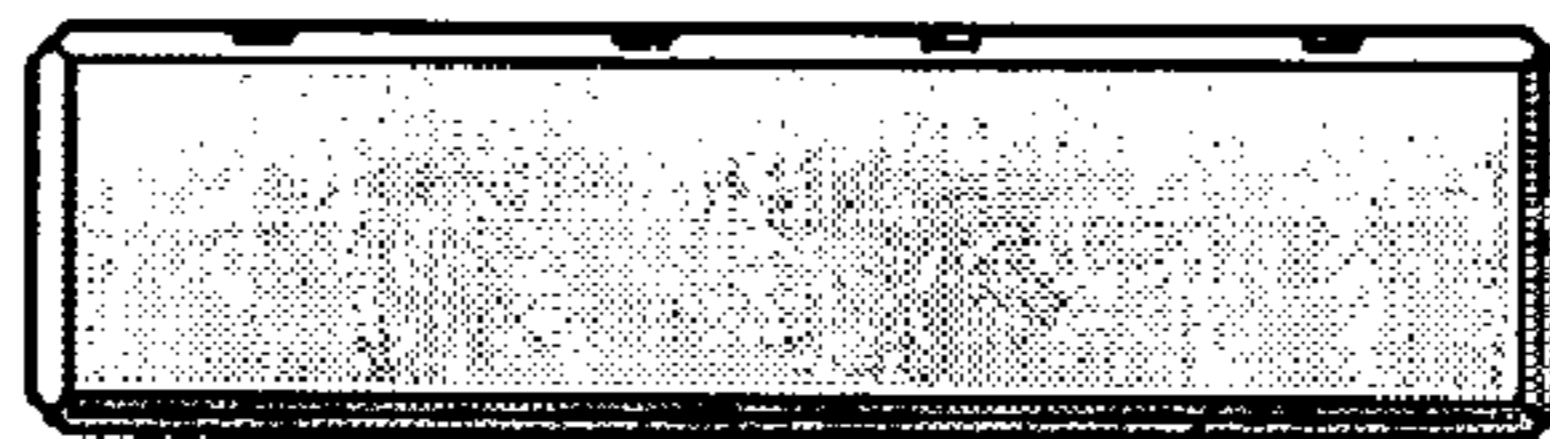


FIG. 5