

US00D593133S

(12) **United States Design Patent**
Yamamoto

(10) **Patent No.:** **US D593,133 S**

(45) **Date of Patent:** **** May 26, 2009**

(54) **DISC PLAYER**

D541,681 S * 5/2007 Sekino et al. D10/65

(75) Inventor: **Hiroshi Yamamoto**, Yokohama (JP)

(73) Assignee: **Victor Company of Japan, Limited**,
Yokohama-shi (JP)

(**) Term: **14 Years**

(21) Appl. No.: **29/309,047**

(22) Filed: **Jun. 16, 2008**

(30) **Foreign Application Priority Data**

Dec. 20, 2007 (JP) 2007-035014

(51) **LOC (9) Cl.** **14-01**

(52) **U.S. Cl.** **D14/505**

(58) **Field of Classification Search** D14/496,
D14/498-511, 167-168, 188, 197-198, 257-258;
360/99.02, 99.07; 369/75.11, 75.21, 77.11,
369/77.21; 720/601, 612, 619, 649, 655;
455/344, 347-351; D10/65, 80

See application file for complete search history.

(56) **References Cited**

U.S. PATENT DOCUMENTS

D308,868 S * 6/1990 Kohno D14/502
D415,491 S * 10/1999 Yano et al. D14/168
D421,007 S * 2/2000 Nagai D14/499
D459,667 S * 7/2002 Kataoka D10/80
D518,038 S * 3/2006 Aono et al. D14/258
D538,769 S * 3/2007 Nemoto D14/499

OTHER PUBLICATIONS

Internet Reference: "Eclipse >Navi >AVN557HD: <http://www.fujitsu-ten.co.jp/eclipse/product/navi/avn557hd/index.html>" of Sep. 18, 2007, as listed in corresponding Japanese Design Application No. 2007-035014 "Notice of Reason for Rejection" dated Jun. 24, 2008.

* cited by examiner

Primary Examiner—Nanda Bondade

(74) *Attorney, Agent, or Firm*—The Nath Law Group; Jerald L. Meyer; Derek Richmond

(57) **CLAIM**

The ornamental design for a disc player, as shown and described.

DESCRIPTION

FIG. 1 is a perspective view of a disc player;
FIG. 2 is a perspective view thereof showing the article with its front control panel opened;
FIG. 3 is a front view thereof;
FIG. 4 is a rear view thereof;
FIG. 5 is a top plan view thereof;
FIG. 6 is a bottom plan view thereof;
FIG. 7 is a right side view thereof; and,
FIG. 8 is a left side view thereof.

The broken lines showing on the drawing disclosure are for illustrative purposes only and form no part of the claimed design.

1 Claim, 6 Drawing Sheets

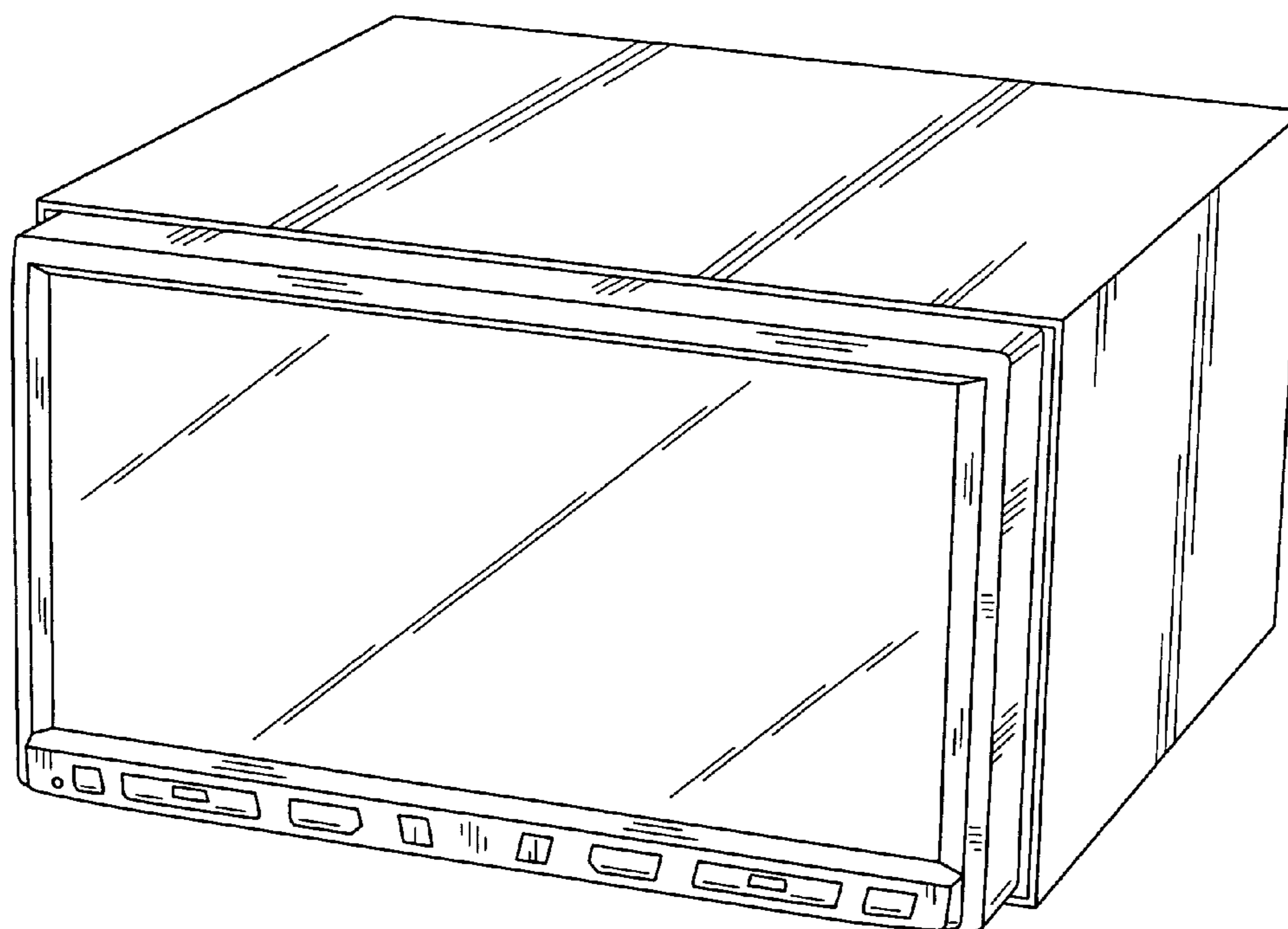


Fig.1

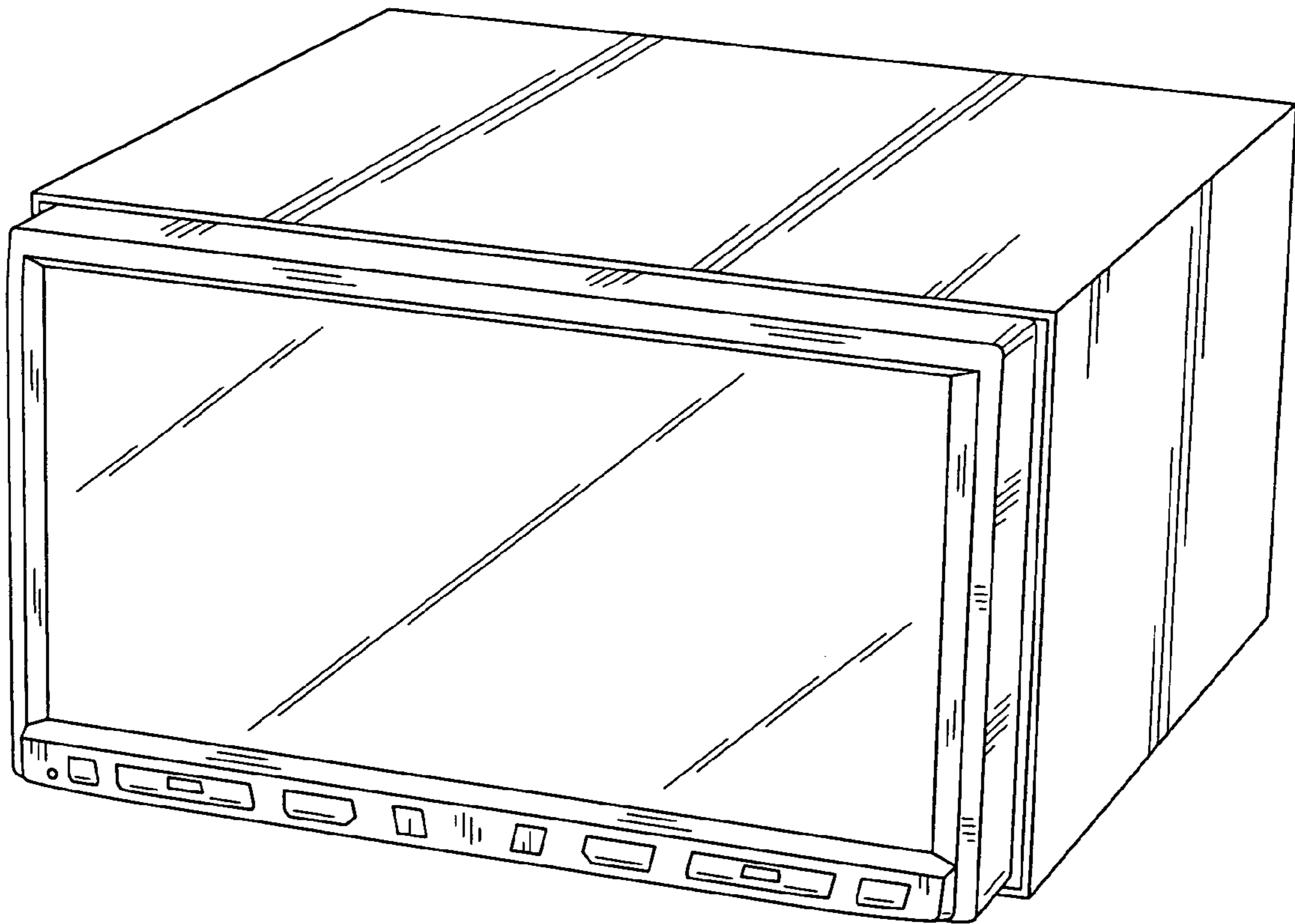


Fig.2

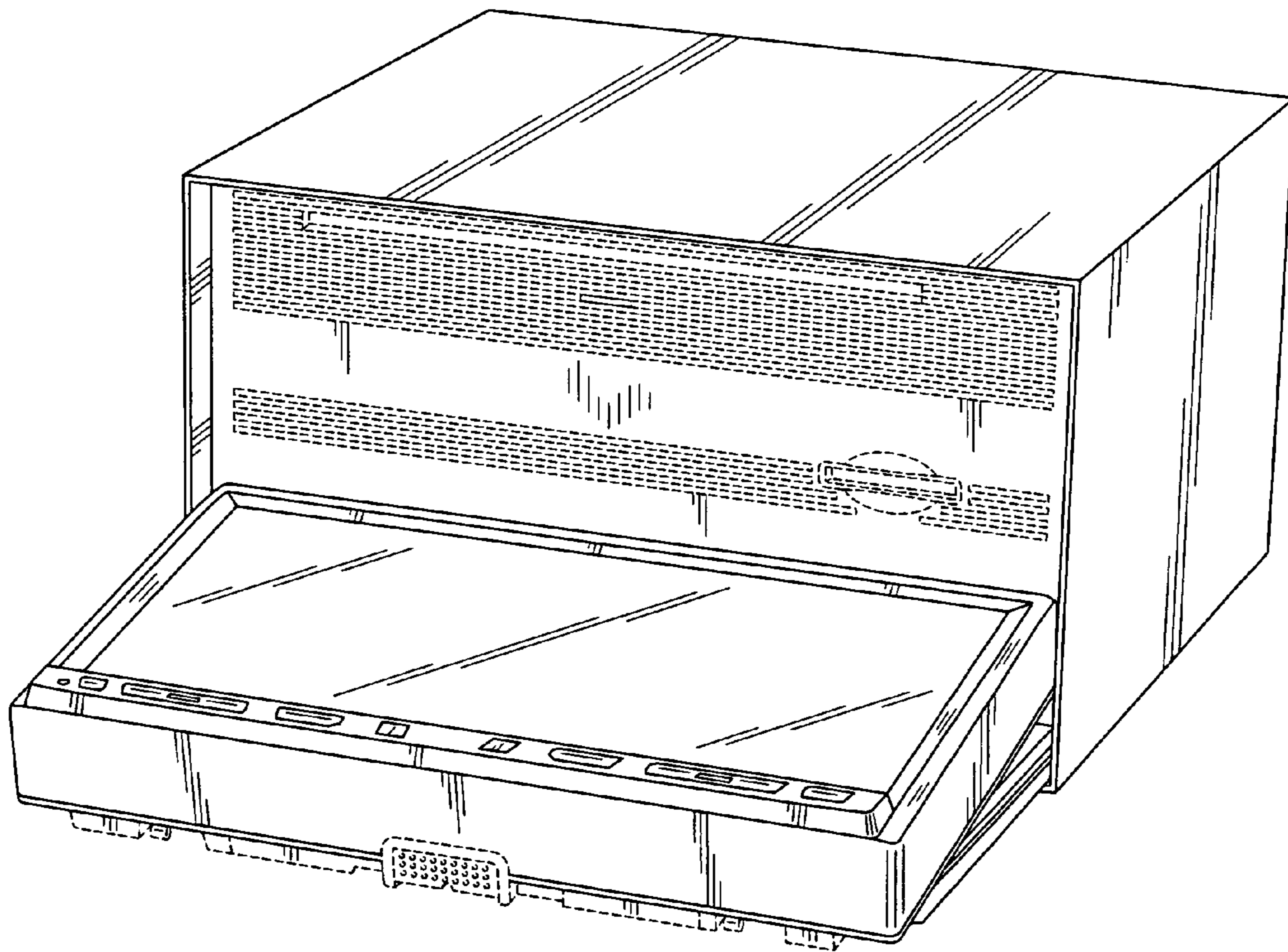


Fig.3

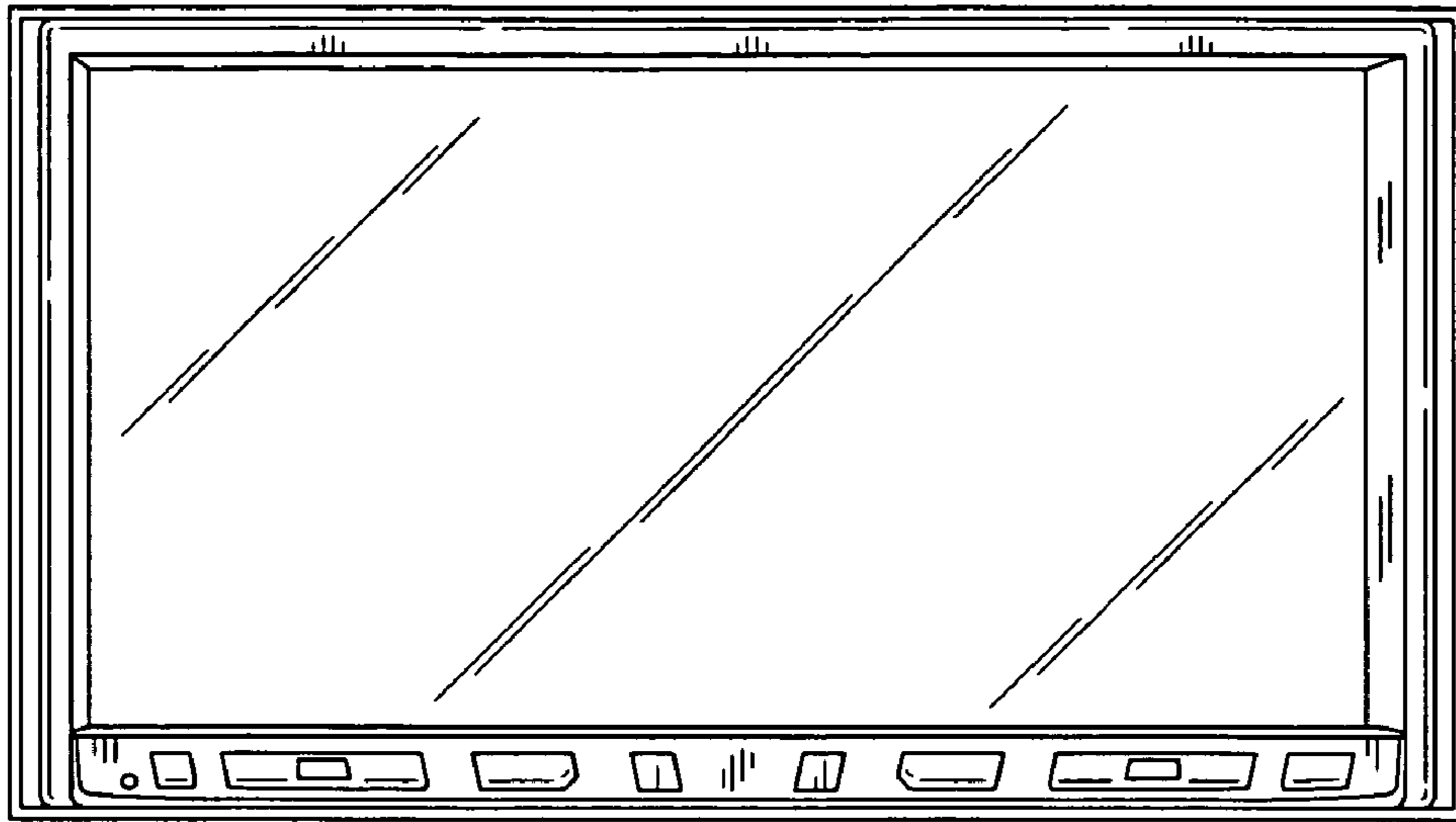


Fig.4

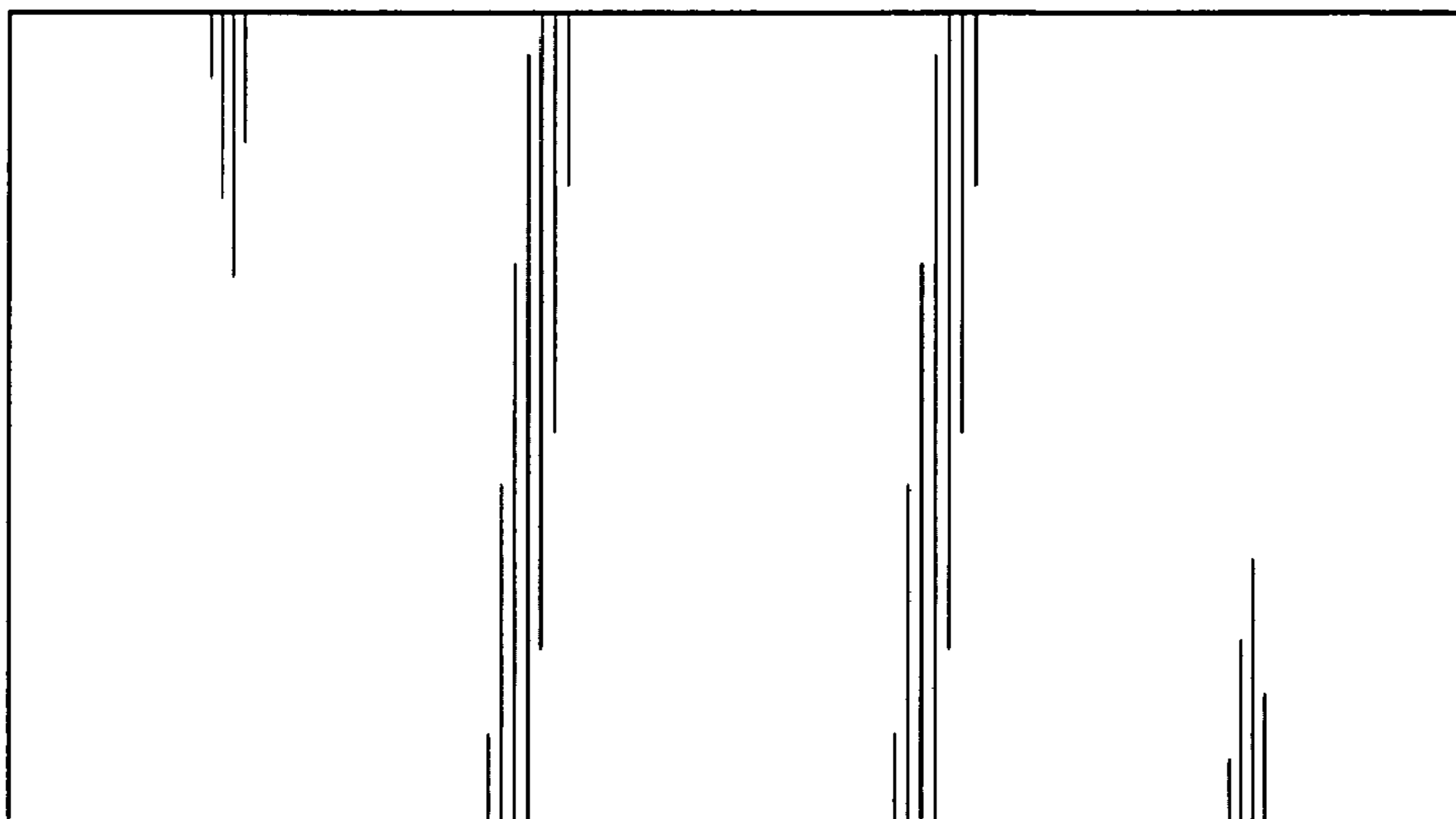


Fig.5

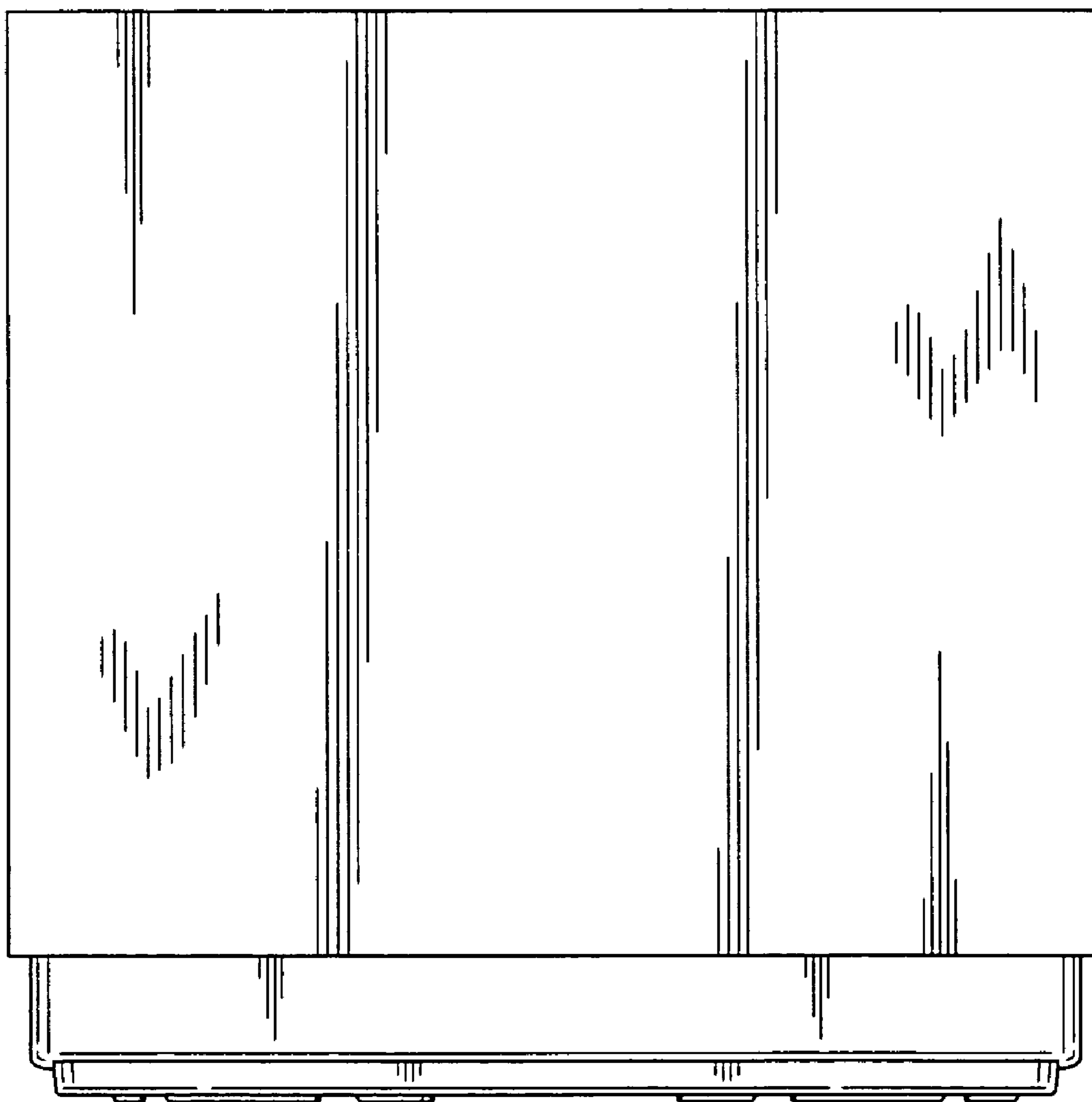


Fig.6

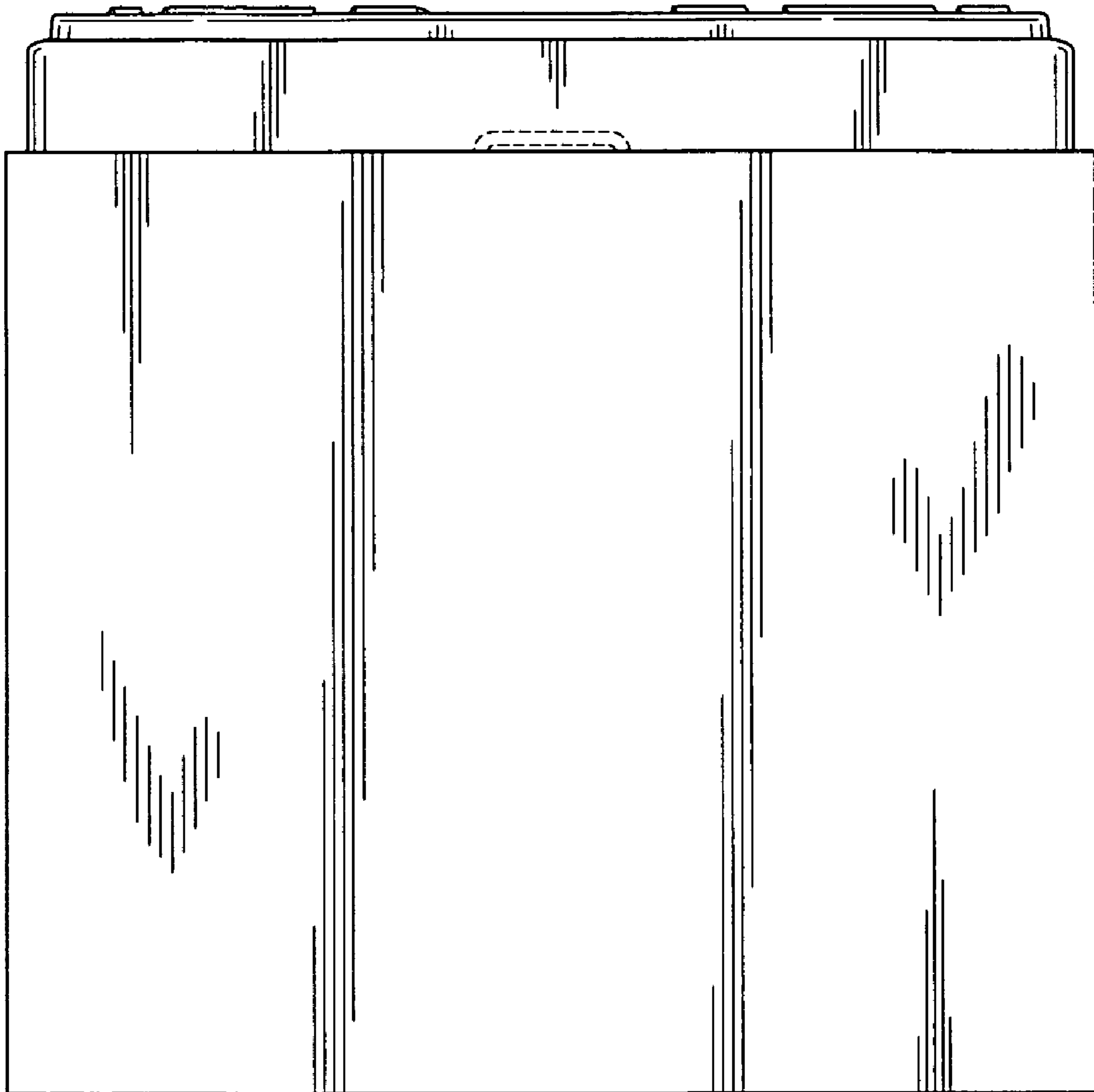


Fig.7

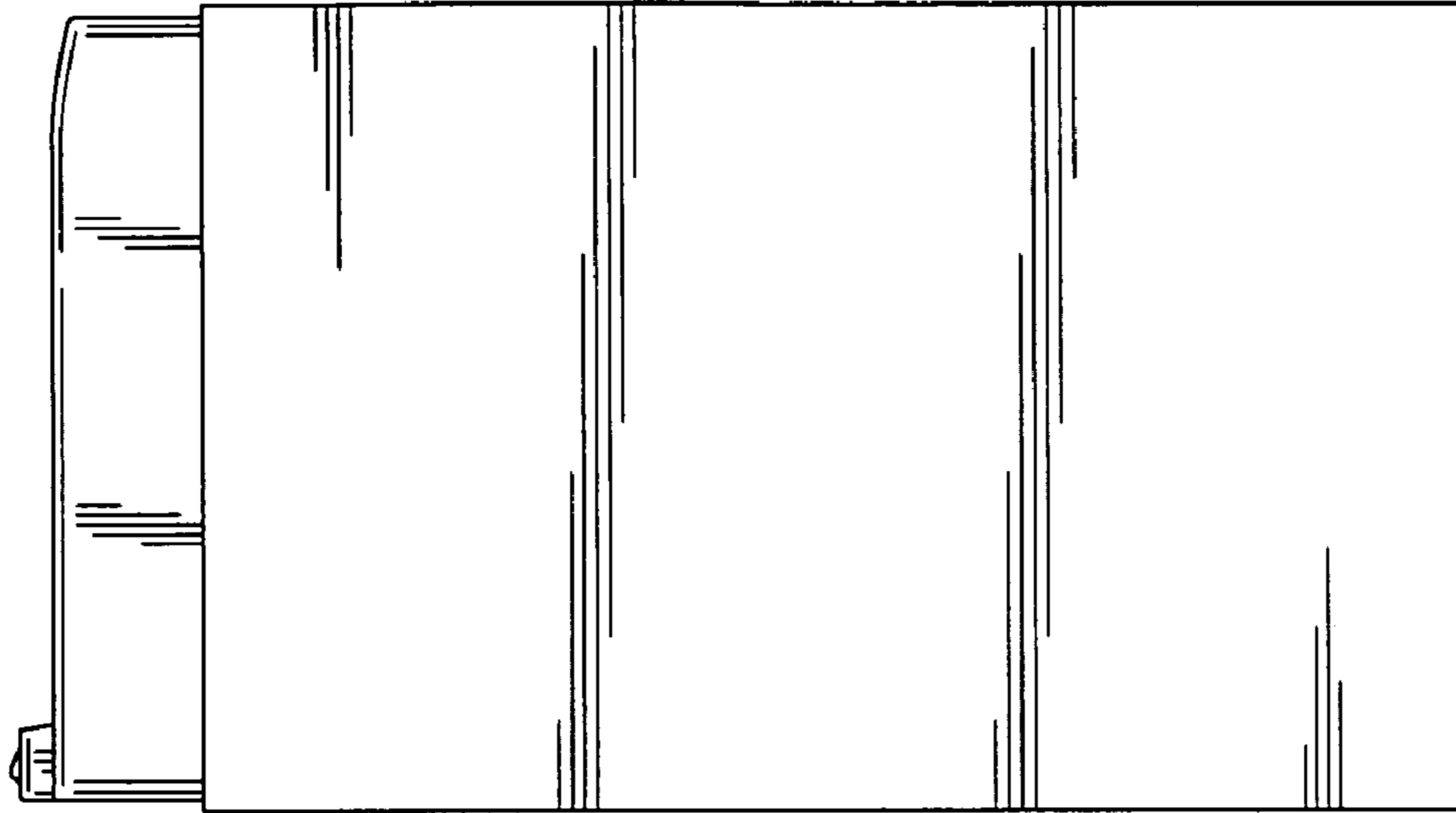


Fig.8

