



US00D593131S

(12) **United States Design Patent**
Lee

(10) **Patent No.:** **US D593,131 S**
(45) **Date of Patent:** **** May 26, 2009**

(54) **CAPSULE DEVICE**

D531,615 S * 11/2006 Lee D14/188
D539,782 S * 4/2007 Lee D14/188

(75) Inventor: **Johann Lee**, Maspeth, NY (US)

* cited by examiner

(73) Assignee: **Coby Electronics Corporation**, Lake Success, NY (US)

Primary Examiner—Prabhakar Deshmukh
(74) *Attorney, Agent, or Firm*—Mayer Brown LLP

(**) Term: **14 Years**

(57) **CLAIM**

(21) Appl. No.: **29/298,450**

The ornamental design for a capsule device, as shown and described.

(22) Filed: **Dec. 5, 2007**

Related U.S. Application Data

DESCRIPTION

(62) Division of application No. 29/251,022, filed on Jan. 4, 2006, now Pat. No. Des. 566,730.

A portion of this patent document contains material which is subject to copyright protection. The copyright owner has no objection to the facsimile reproduction by anyone of the patent document or the patent disclosure, as it appears in the Patent and Trademark Office patent files or records, but otherwise reserves all copyrights whatsoever.

(51) **LOC (9) Cl.** **14-03**

(52) **U.S. Cl.** **D14/496**

(58) **Field of Classification Search** D14/496,
D14/401, 435, 474, 483, 217, 137, 138, 160,
D14/168; 345/156, 169, 173-179, 905; 715/727-729,
715/864; 455/11, 1.7, 73, 344-347, 93, 95;
370/342-344; 369/1, 2, 6, 12; 463/43-47;
273/148 B

FIG. 1 is a perspective view of a capsule device showing my new design;

FIG. 2 is a front elevation view of the device of FIG. 1;

FIG. 3 is a top plan view of the device of FIG. 1;

FIG. 4 is a right side elevation view of the device of FIG. 1;

FIG. 5 is a left side elevation view of the device of FIG. 1;

FIG. 6 is a back elevation view of the device of FIG. 1 (with lid to accessory inputs in closed position);

FIG. 7 is a bottom plan view of the device of FIG. 1; and,

FIG. 8 is a perspective view of the device of FIG. 1 (with lid to accessory inputs in open position).

See application file for complete search history.

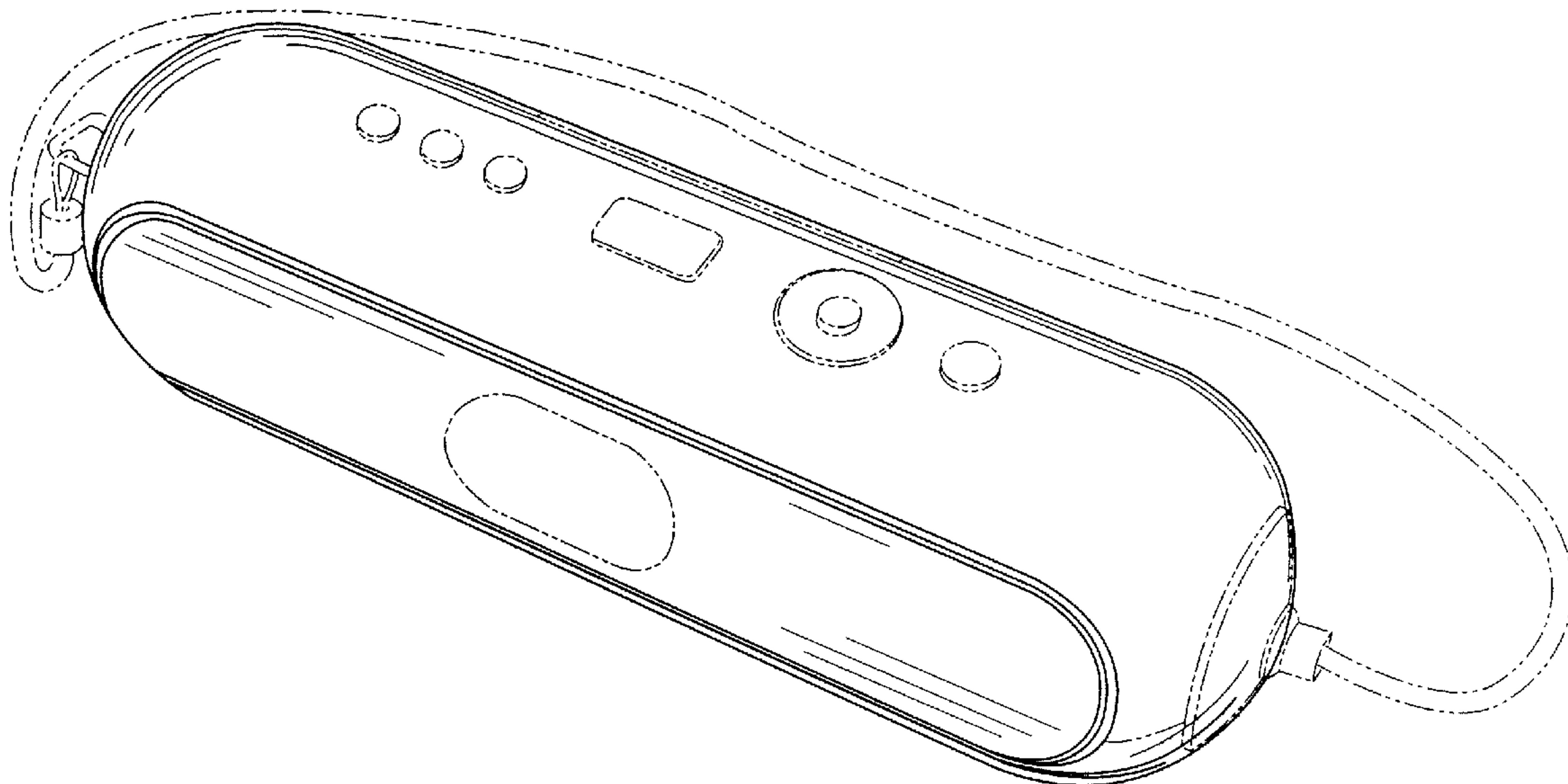
The broken lines, which define the bounds of the claimed design, form no part thereof. The broken lines showing of environment is for illustrative purpose only and forms no part of the claimed design.

(56) **References Cited**

U.S. PATENT DOCUMENTS

5,137,808	A *	8/1992	Ullman et al.	435/7.9
D351,596	S *	10/1994	Pierotti et al.	D14/192
5,746,313	A *	5/1998	Wilson	206/220
6,471,631	B1 *	10/2002	Slater et al.	600/8
D476,304	S *	6/2003	Fox et al.	D14/156
6,585,685	B2 *	7/2003	Staylor et al.	604/68
D479,712	S *	9/2003	Ng	D14/156
D491,911	S *	6/2004	Jung	D14/156
D491,914	S *	6/2004	Lee	D14/188
6,945,663	B2 *	9/2005	Chien	362/84

1 Claim, 7 Drawing Sheets



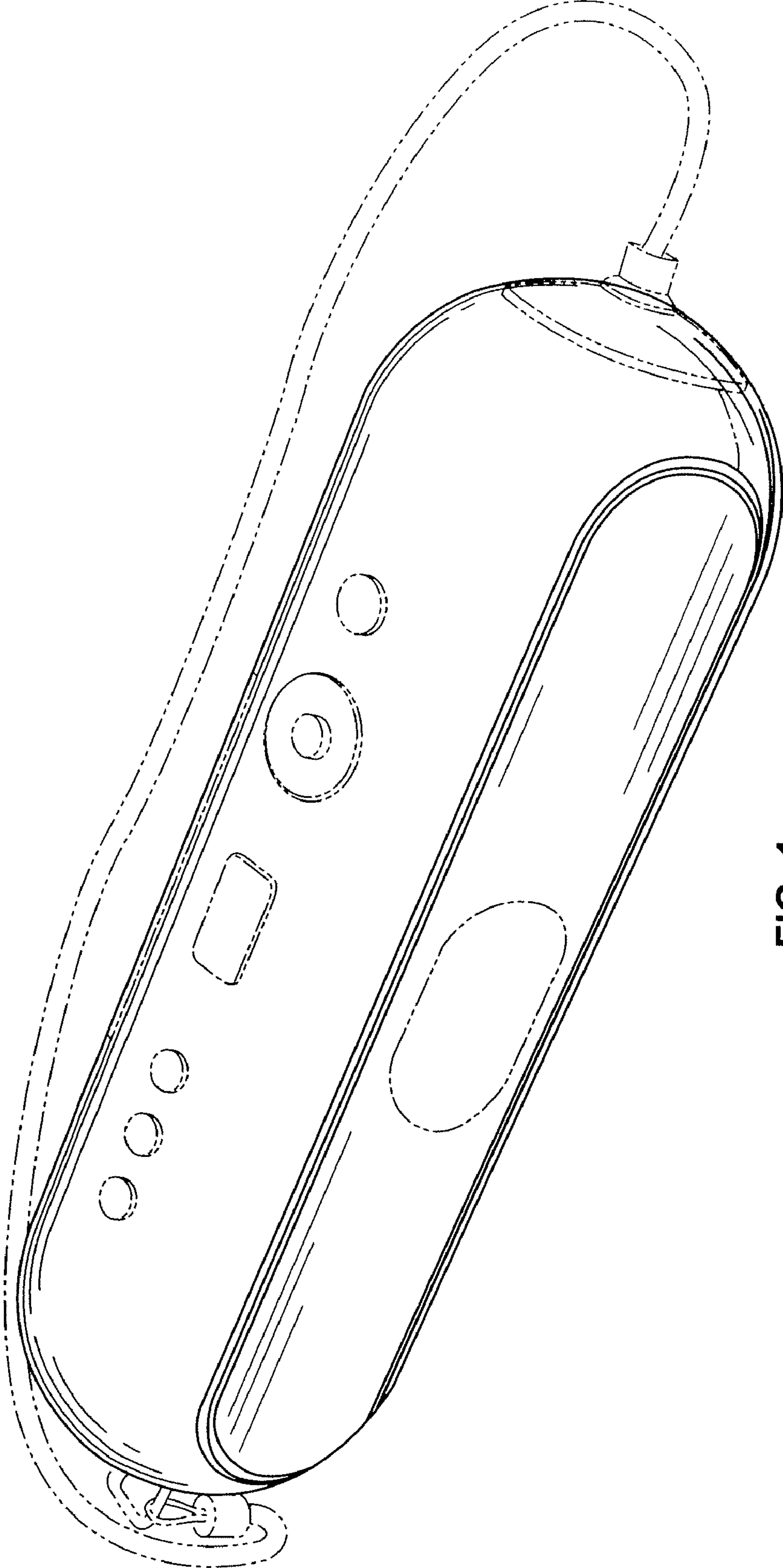


FIG. 1

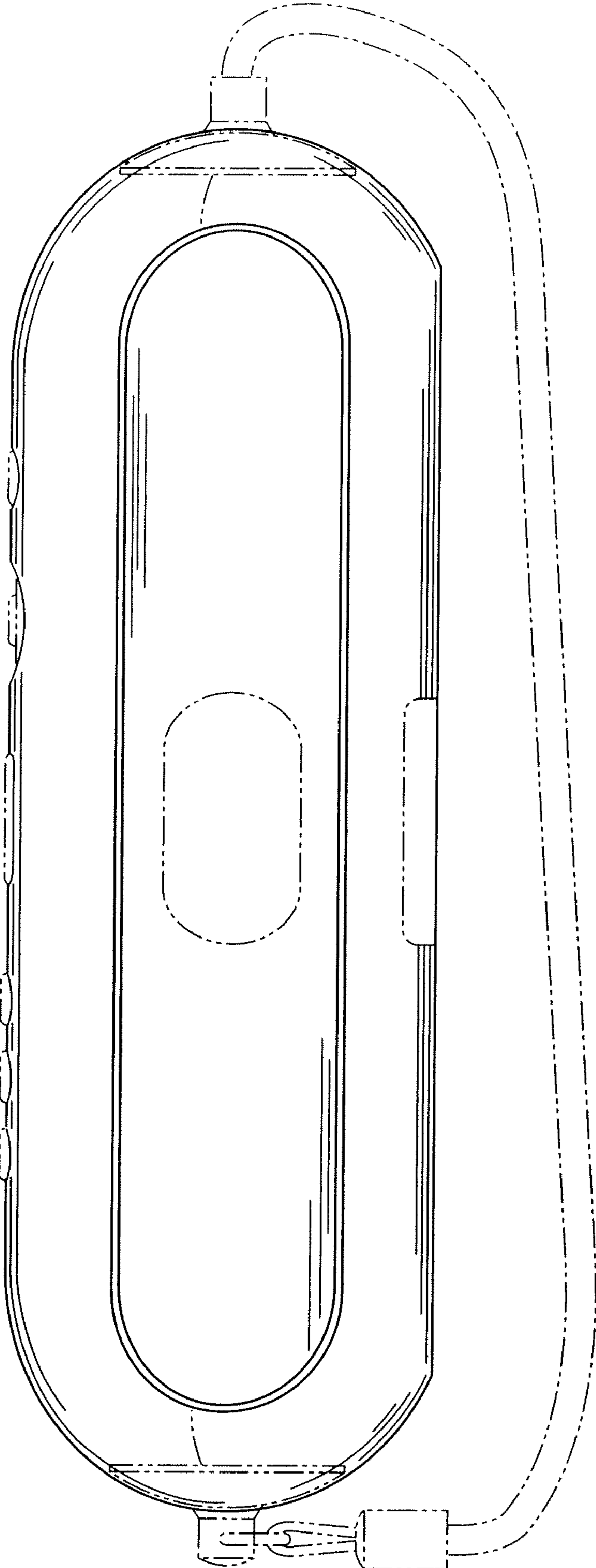


FIG. 2

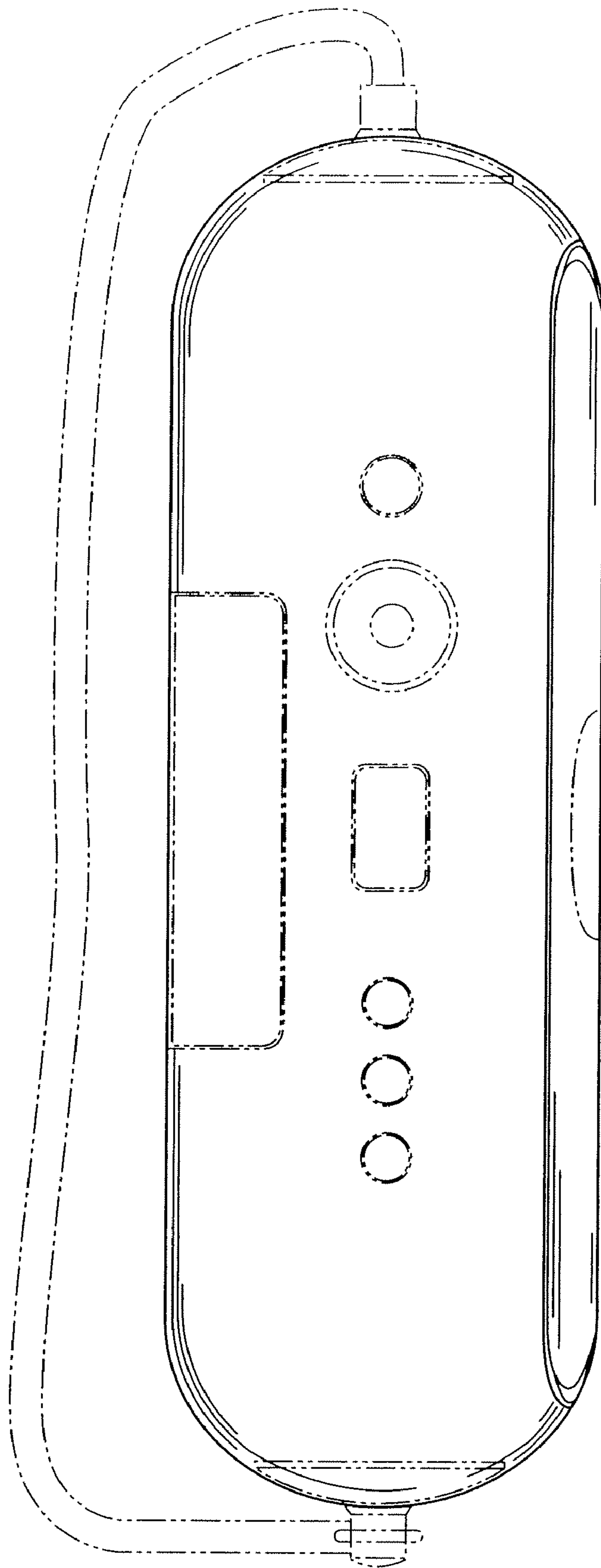


FIG. 3

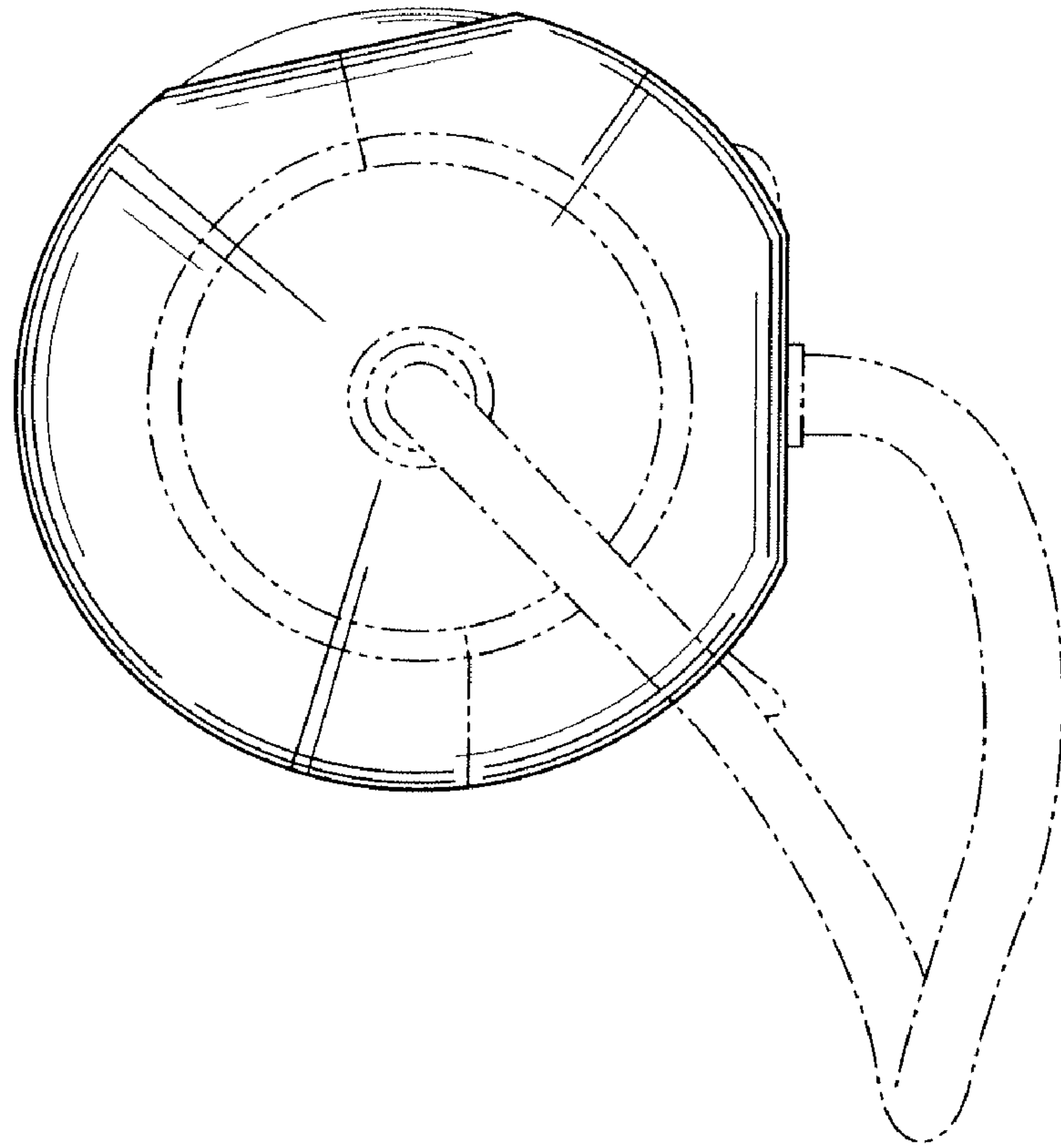


FIG. 5

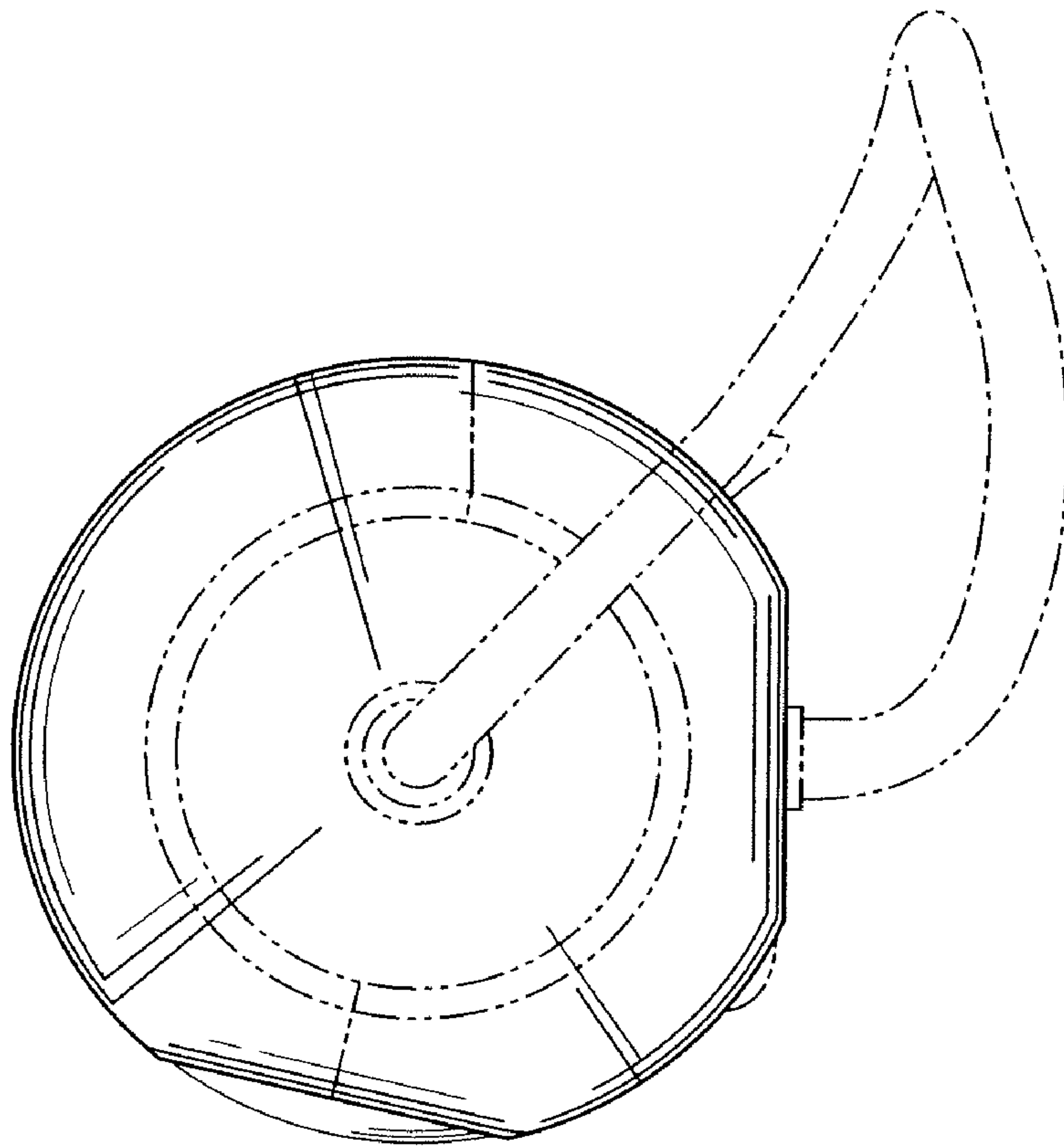


FIG. 4

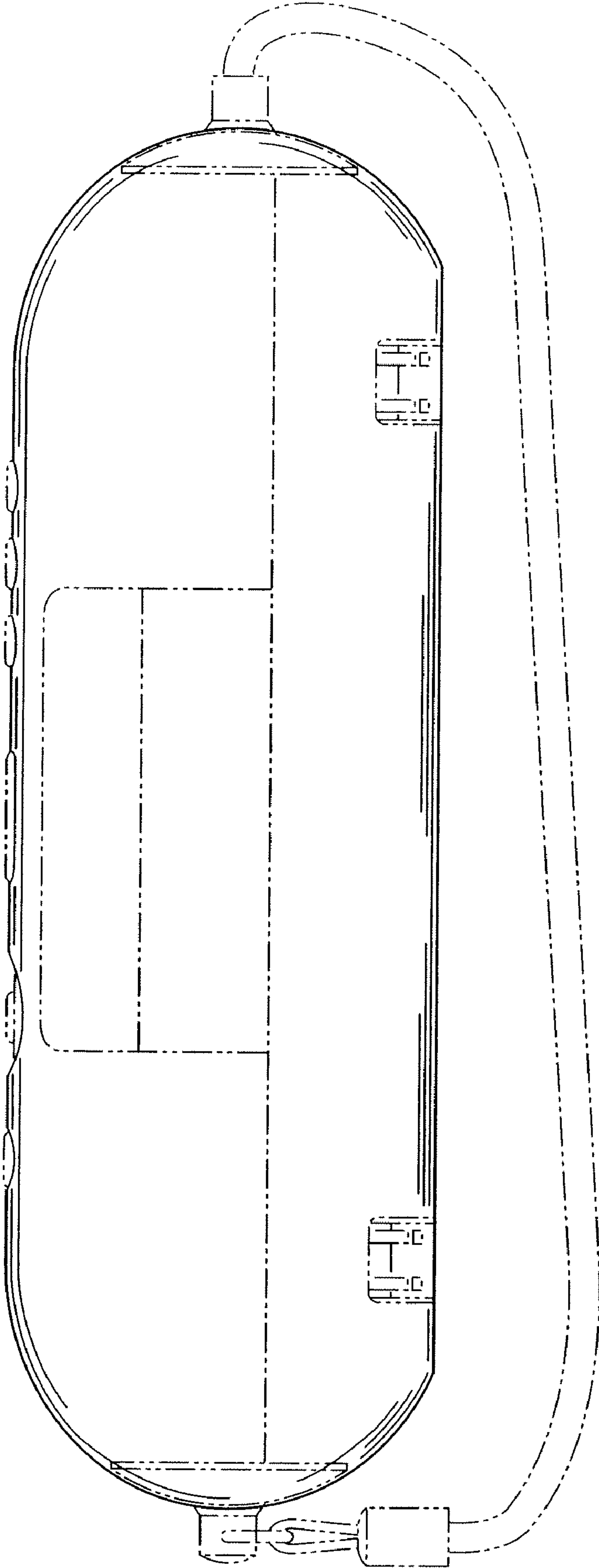


FIG. 6

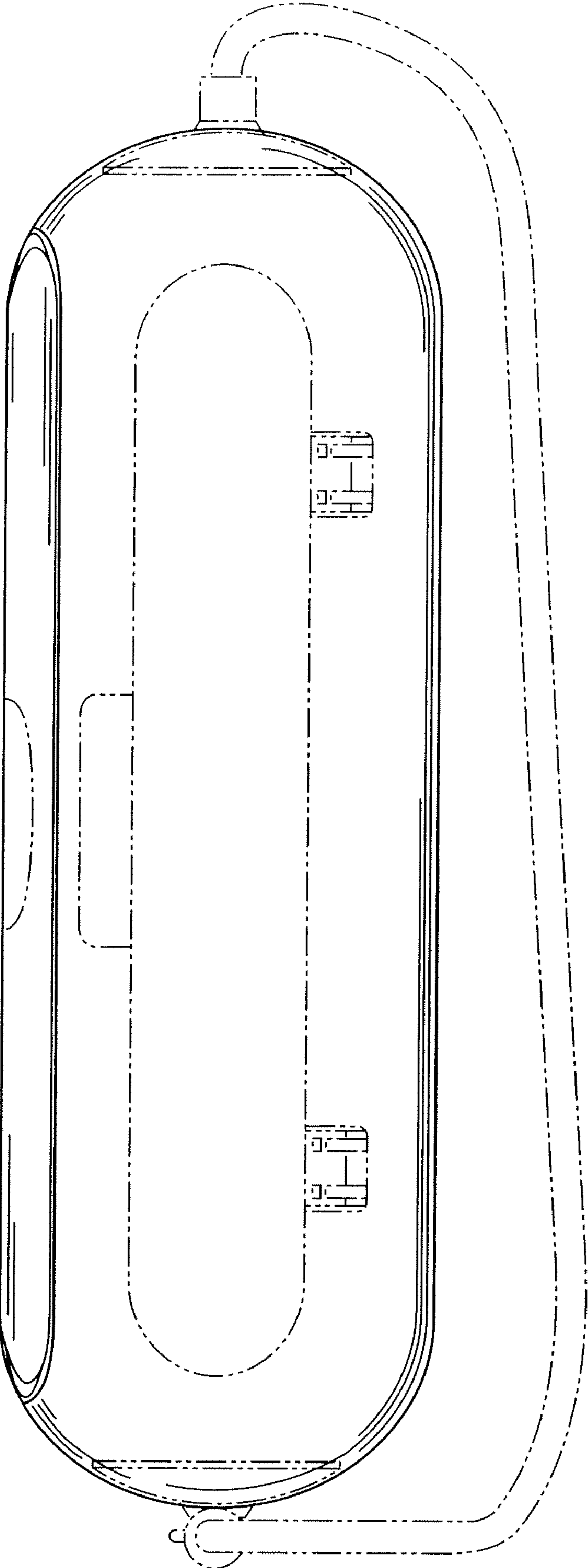


FIG. 7

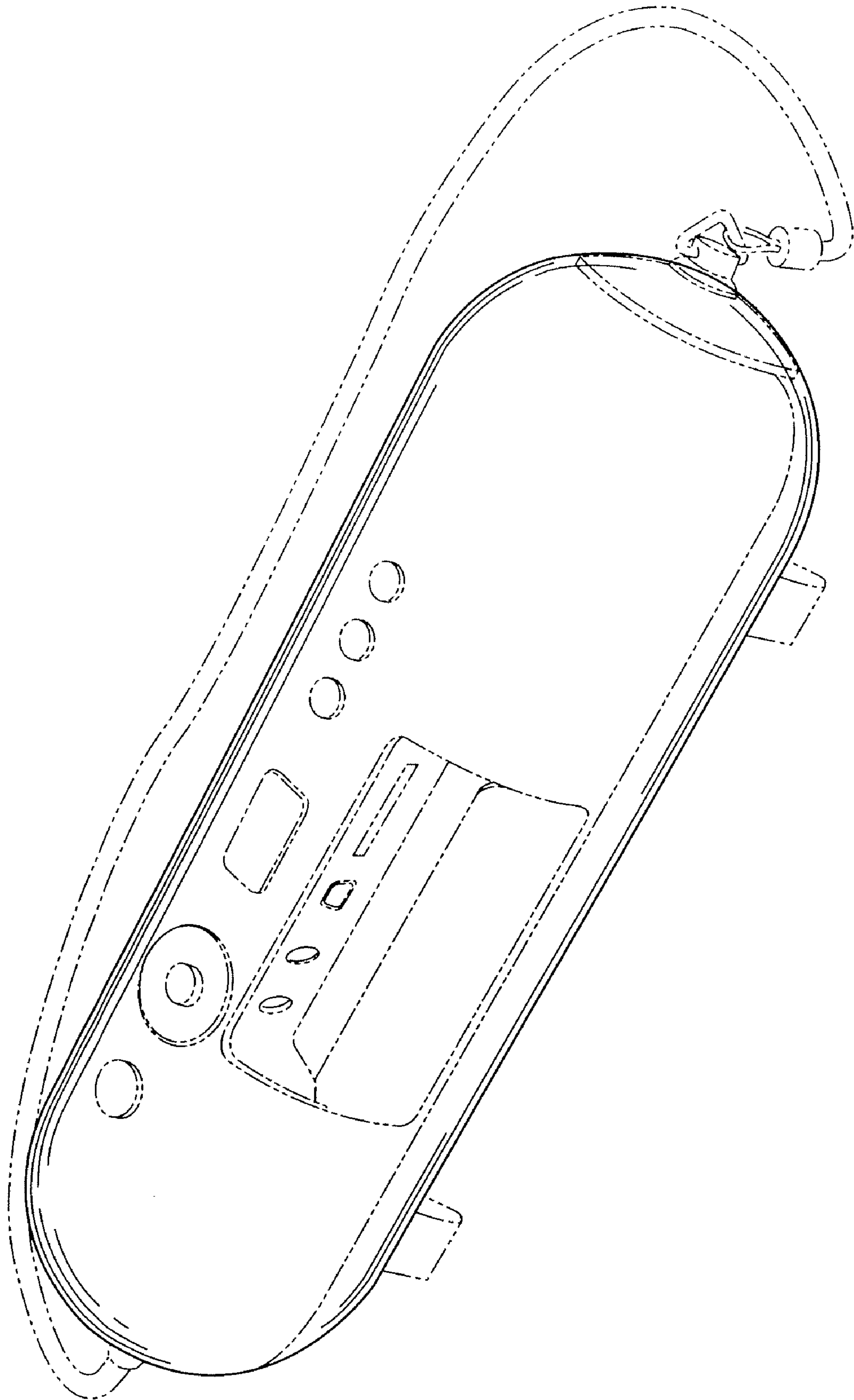


FIG. 8