

US00D593119S

(12) **United States Design Patent**
Okuyama

(10) **Patent No.:** **US D593,119 S**

(45) **Date of Patent:** **** May 26, 2009**

(54) **COMPUTER GENERATED IMAGE FOR A DISPLAY PANEL OR SCREEN**

2003/0058086 A1* 3/2003 Hara 340/425.5
2003/0117428 A1* 6/2003 Li et al. 345/716
2008/0290886 A1* 11/2008 Akiyama et al. 324/758

(75) Inventor: **Masashi Okuyama**, Kumamoto (JP)

OTHER PUBLICATIONS

(73) Assignee: **Tokyo Electron Limited**, Tokyo (JP)

Signs and Symbols: Their Design and Meaning, by Adrian Frutiger, Watson-Guption Publications, New York, NY, © 1978 Part 1, © 1979 Part 2, © 1981 Part 3, p. 89.*

(**) Term: **14 Years**

Symbol Source Book, by Henry Dreyfuss, Van Nostrand Reinhold Company, New York, NY, © 1972, pp. 74, 93 and 221.*

(21) Appl. No.: **29/274,171**

* cited by examiner

(22) Filed: **Apr. 2, 2007**

Primary Examiner—Cathron C Brooks

(51) **LOC (9) Cl.** **32-00**

Assistant Examiner—Karen E Kearney

(52) **U.S. Cl.** **D14/489**

(74) *Attorney, Agent, or Firm*—Rader, Fishman & Grauer, PLLC

(58) **Field of Classification Search** D14/485-95;
D18/26, 31-33; D20/11-12, 23-25, 29-32,
D20/36-38; 715/700-867, 973-977

(57) **CLAIM**

See application file for complete search history.

The ornamental design for a computer generated image for a display panel or screen, as shown and described.

(56) **References Cited**

DESCRIPTION

U.S. PATENT DOCUMENTS

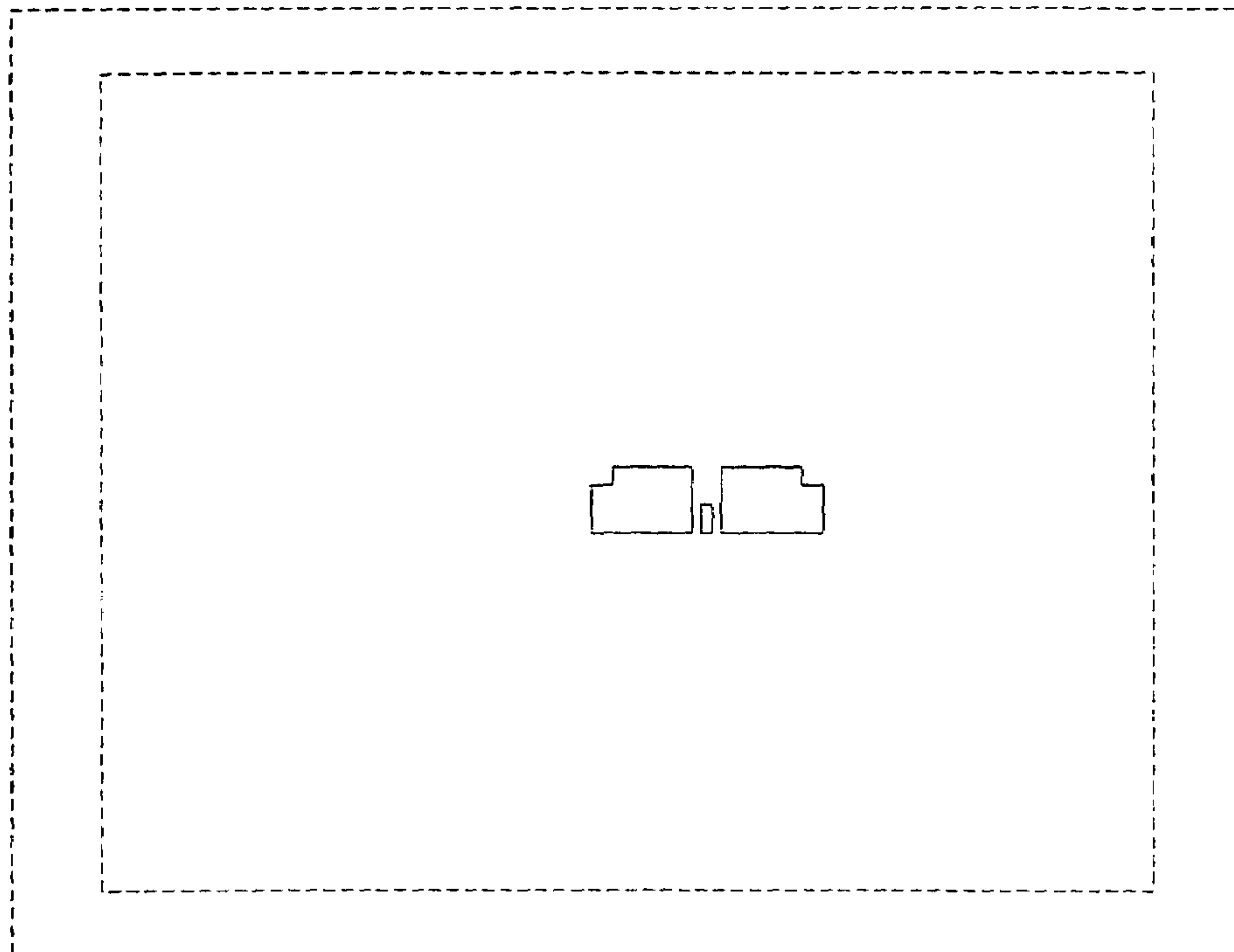
D241,776 S *	10/1976	Bibl et al.	D18/24
D255,692 S *	7/1980	Fennell	D18/25
5,295,062 A *	3/1994	Fukushima	715/764
5,317,688 A *	5/1994	Watson et al.	715/707
5,367,627 A *	11/1994	Johnson	715/708
5,524,197 A *	6/1996	Uya et al.	715/781
D386,477 S *	11/1997	Thomas	D14/491
6,246,417 B1 *	6/2001	Kambe et al.	715/716
D486,156 S *	2/2004	Lee et al.	D14/489
6,925,608 B1 *	8/2005	Neale et al.	715/763
D510,582 S *	10/2005	Hoang et al.	D14/486
D529,921 S *	10/2006	Massa et al.	D14/492

FIG. 1 is a front elevational view of a computer generated image for a display panel or screen showing my new design; and,

FIG. 2 is a front elevational view of another embodiment of a computer generated image for a display panel or screen showing my new design.

The broken line showing of the display screen and portions of the computer generated image form no part of the claimed design.

1 Claim, 2 Drawing Sheets



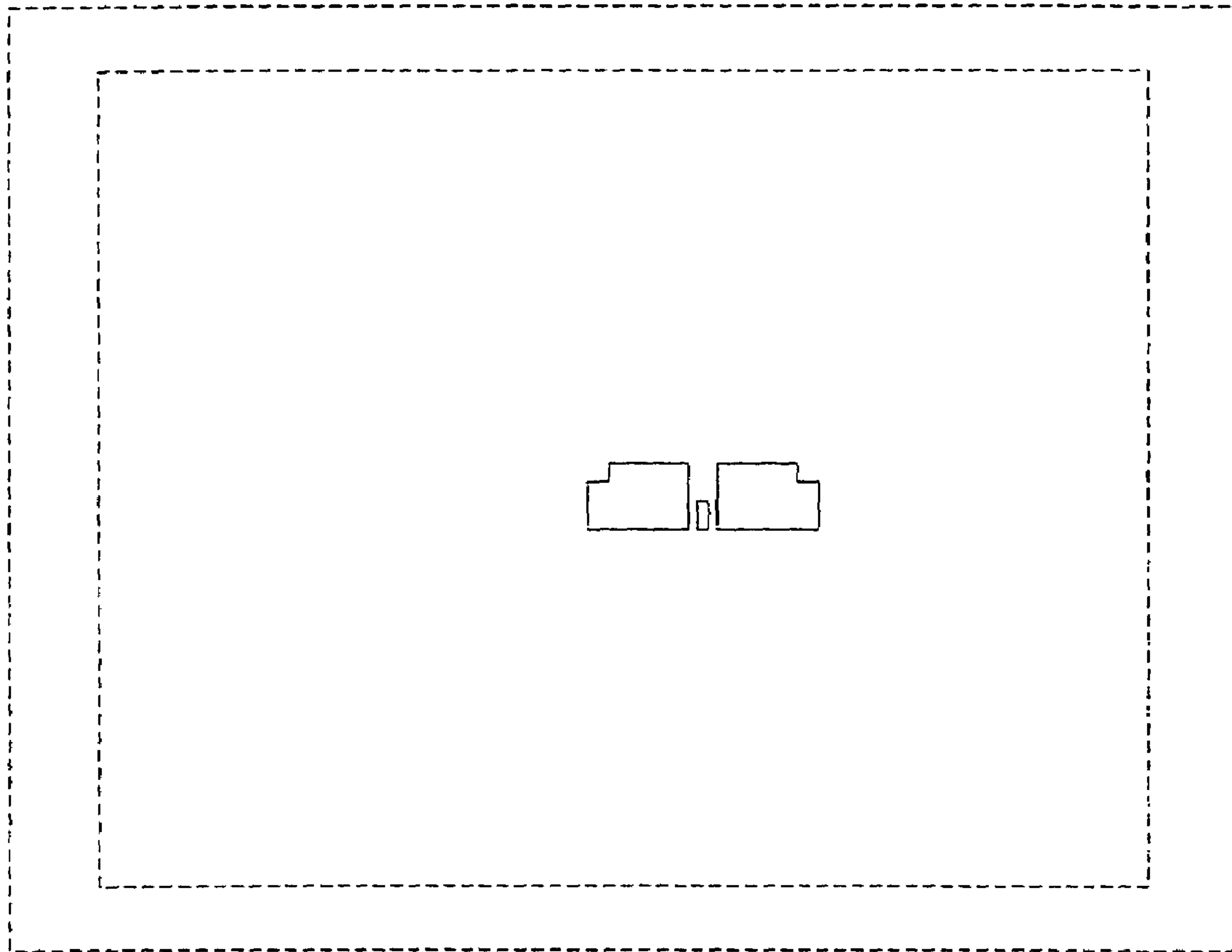


FIG. 1

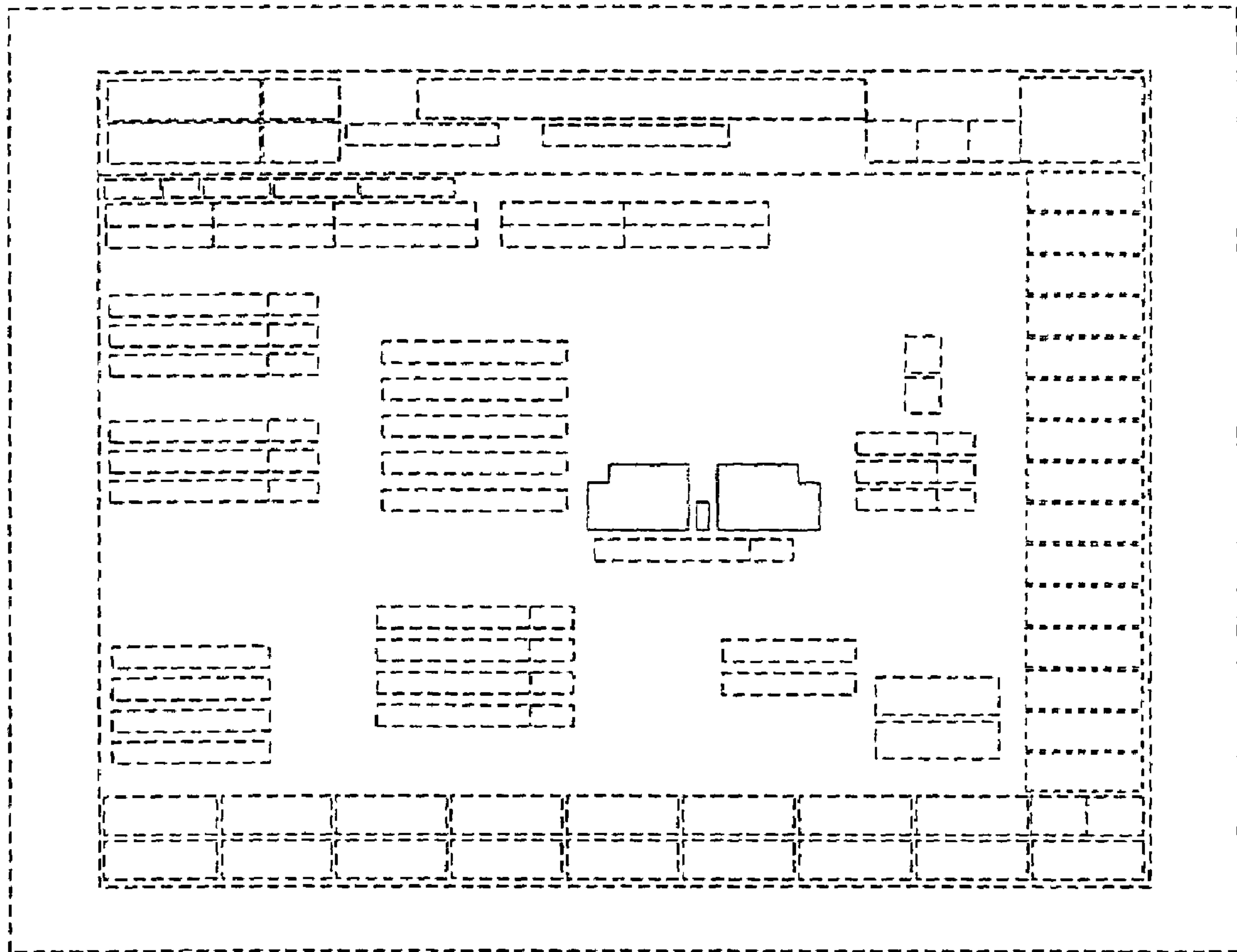


FIG. 2