



US00D593104S

(12) **United States Design Patent**
Gillespie

(10) **Patent No.:** **US D593,104 S**
(45) **Date of Patent:** **** May 26, 2009**

(54) **FLAT PANEL DISPLAY MOUNT**

(75) Inventor: **John Michael Gillespie**, Green Oaks, IL (US)
(73) Assignee: **Peerless Industries, Inc.**, Melrose Park, IL (US)
(**) Term: **14 Years**
(21) Appl. No.: **29/324,173**
(22) Filed: **Sep. 8, 2008**

(51) **LOC (9) Cl.** **08-07**
(52) **U.S. Cl.** **D14/451; D14/239**
(58) **Field of Classification Search** D14/447, D14/451, 452, 251, 253, 239, 432, 434, 439, D14/448, 449, 450, 454, 455, 457, 458, 459, D14/460, 461, 336, 337, 371, 372, 373, 374, D14/375, 376, 377, 378, 379, 380, 381, 382, D14/125, 126, 127, 129, 133, 305, 307, 335, D14/340, 339; D6/300, 308, 310, 312, 313, D6/314, 449, 512; D8/354, 363; D19/91, D19/90; 349/58, 60; 312/7.2; 348/790, 348/794, 825, 836; 211/42, 43, 126.6, 132.1, 211/171, 195; 248/917, 918, 919, 920, 921, 248/922, 923, 924, 451, 454, 460; 361/680, 361/681, 382, 683, 686; D12/415, 418
See application file for complete search history.

(56) **References Cited**

U.S. PATENT DOCUMENTS

D392,976	S	*	3/1998	Fenner et al.	D14/214
D472,556	S	*	4/2003	Scharer et al.	D14/452
6,905,101	B1	*	6/2005	Dittmer	248/274.1
D558,562	S	*	1/2008	Ciungan et al.	D8/363
D562,113	S	*	2/2008	Ciungan et al.	D8/363
D563,700	S	*	3/2008	Walters et al.	D6/513
D568,321	S	*	5/2008	Gillespie	D14/451
D568,322	S	*	5/2008	Gillespie et al.	D14/451
D568,323	S	*	5/2008	Gillespie et al.	D14/451
D580,742	S	*	11/2008	Short	D8/363
D581,915	S	*	12/2008	Sculler et al.	D14/239
D581,916	S	*	12/2008	Sculler et al.	D14/239
2004/0164212	A1	*	8/2004	Gillespie et al.	248/278.1

OTHER PUBLICATIONS

“Installation and Assembly-Display TV STB Enclosure,” Peerless Industries, Inc., May 24, 2007; 4pgs.
* cited by examiner
Primary Examiner—Jennifer Rivard
Assistant Examiner—Angela J Lee
(74) *Attorney, Agent, or Firm*—Foley & Lardner LLP

(57) **CLAIM**

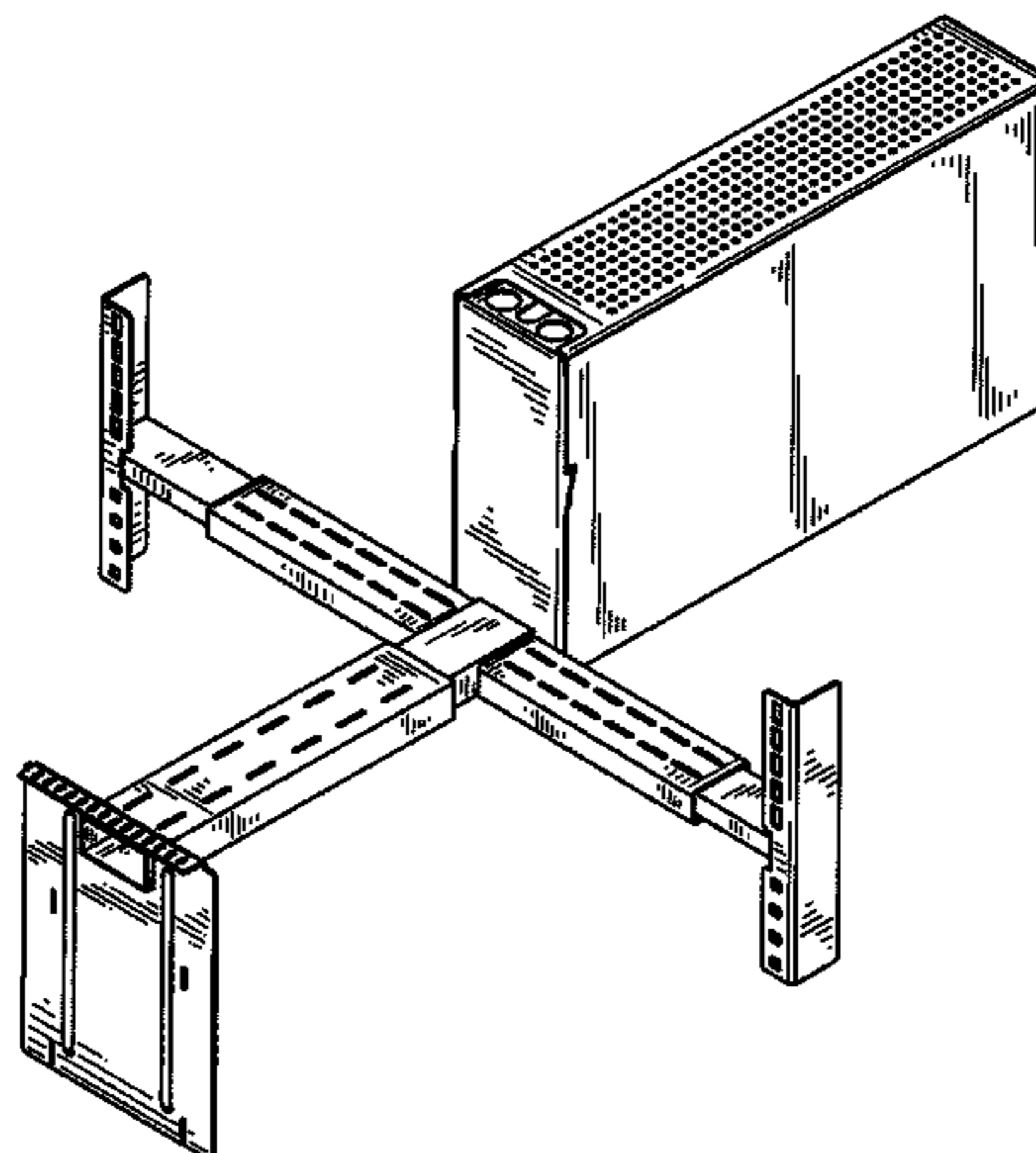
I claim the ornamental design for a flat panel display mount, as shown and described.

DESCRIPTION

FIG. 1 is a perspective view of the flat panel display mount showing my new design;
FIG. 2 is a right side view thereof;
FIG. 3 is a left side view thereof;
FIG. 4 is a top view thereof;
FIG. 5 is a bottom view thereof;
FIG. 6 is a front view thereof;
FIG. 7 is a rear view thereof;
FIG. 8 is a perspective view of another embodiment of the flat panel display mount showing my new design;
FIG. 9 is a right side view of the flat panel display mount in FIG. 8;
FIG. 10 is a left side view of the flat panel display mount in FIG. 8;
FIG. 11 is a top view of the flat panel display mount in FIG. 8;
FIG. 12 is a bottom view of the flat panel display mount in FIG. 8;
FIG. 13 is a front view of the flat panel display mount in FIG. 8; and,
FIG. 14 is a rear view of the flat panel display mount in FIG. 8.

The broken line showing of unclaimed portions of the flat panel display mount forms no part of the claimed design.

1 Claim, 12 Drawing Sheets



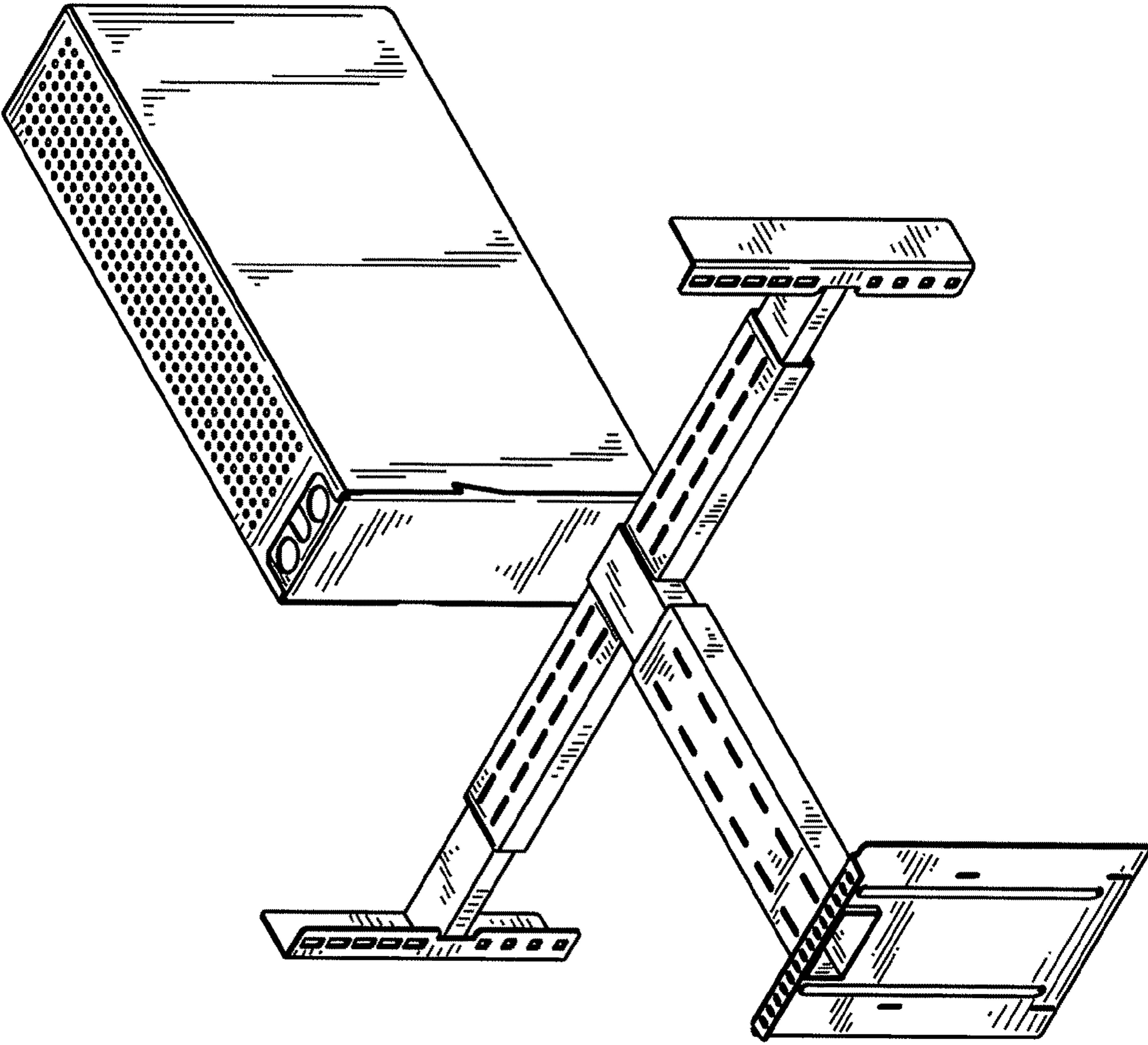


FIG. 1

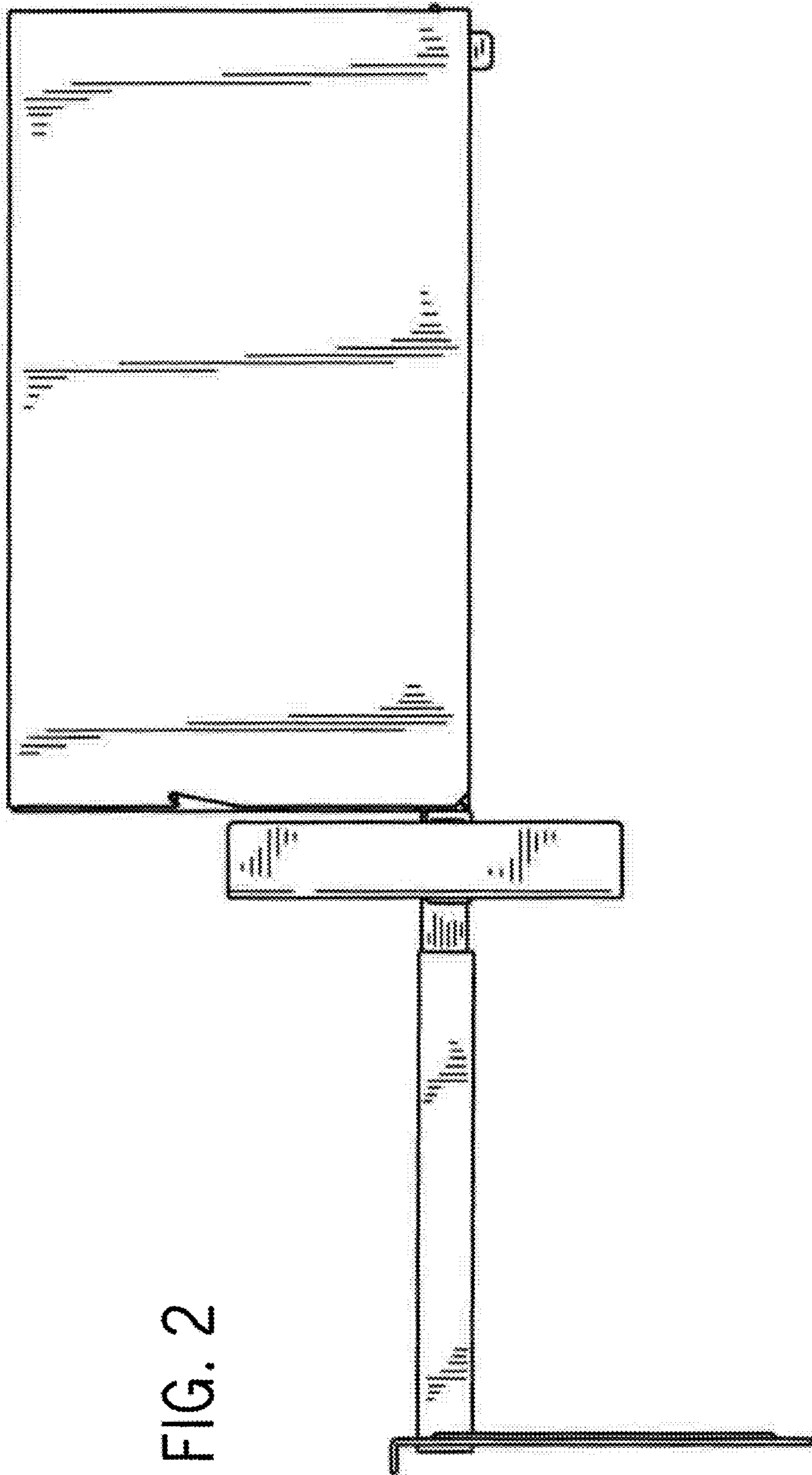


FIG. 2

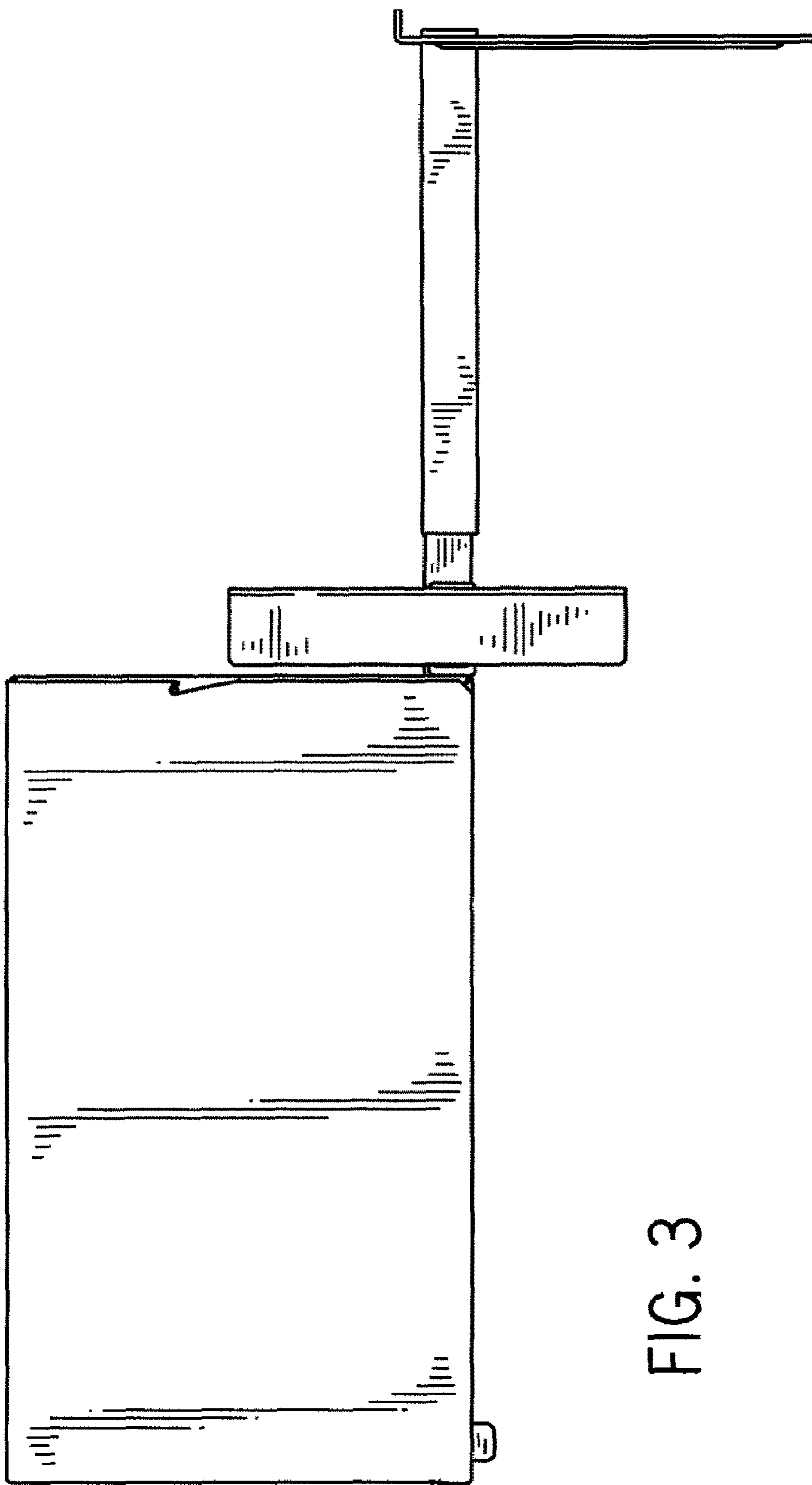


FIG. 3

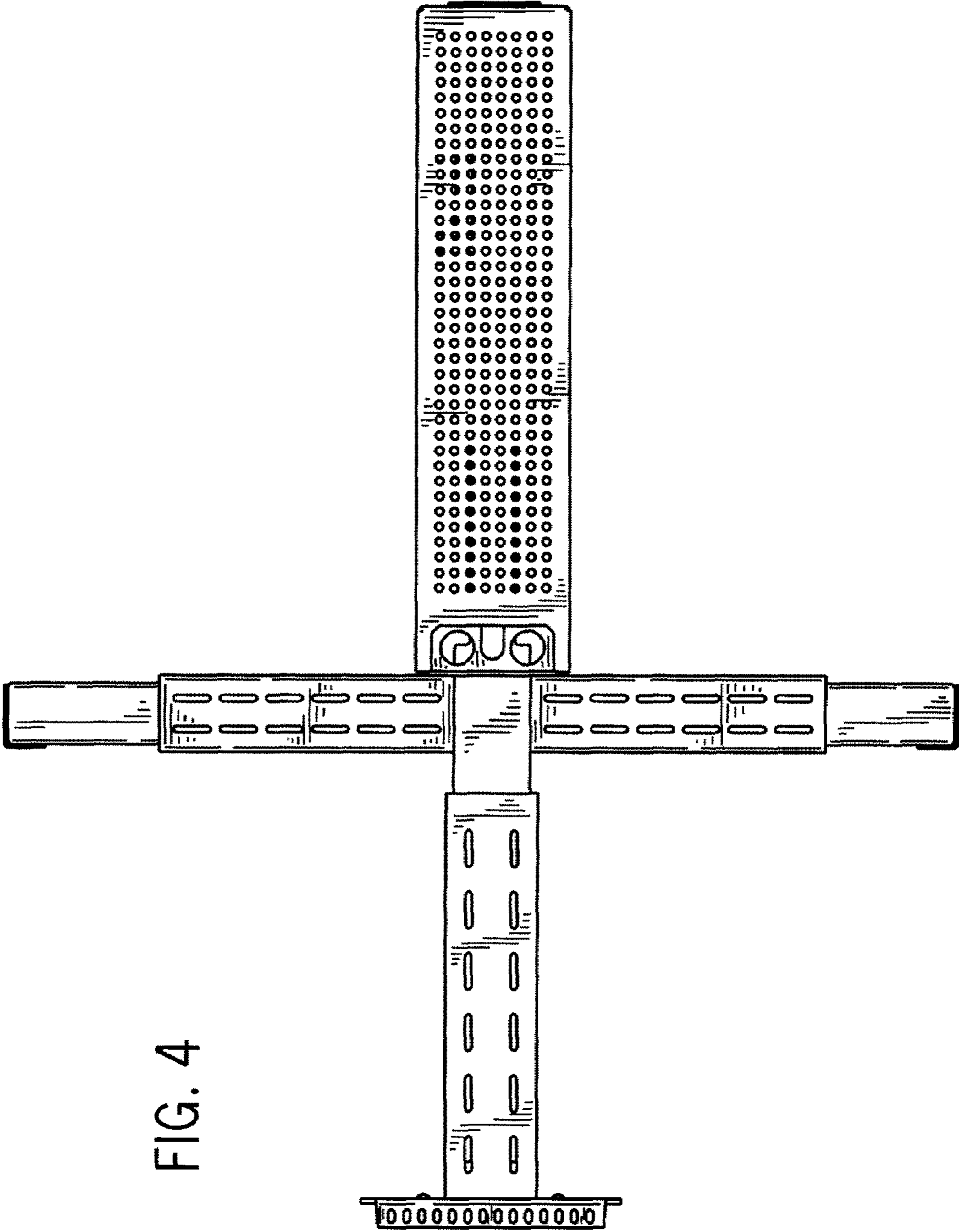


FIG. 4

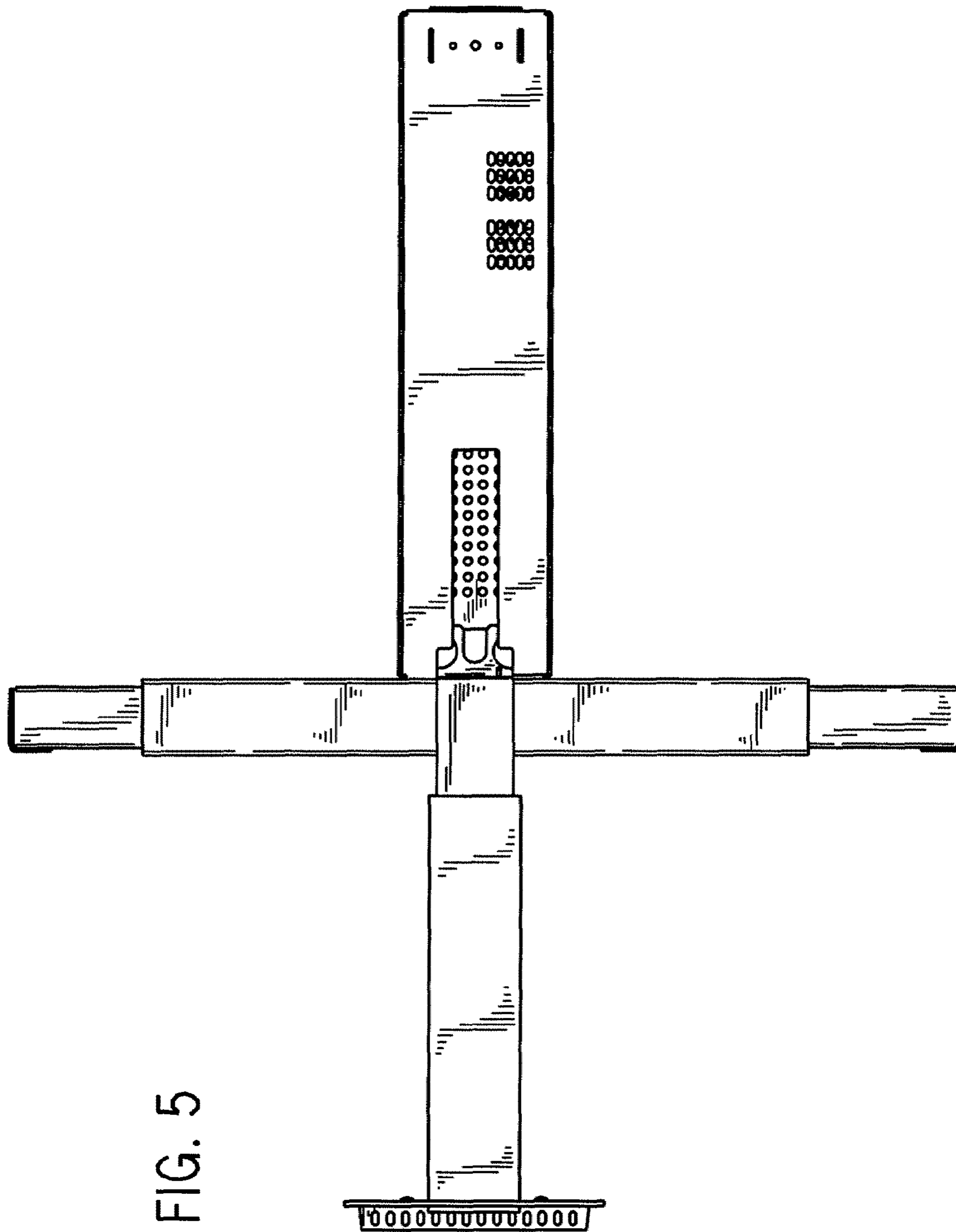


FIG. 5

FIG. 6

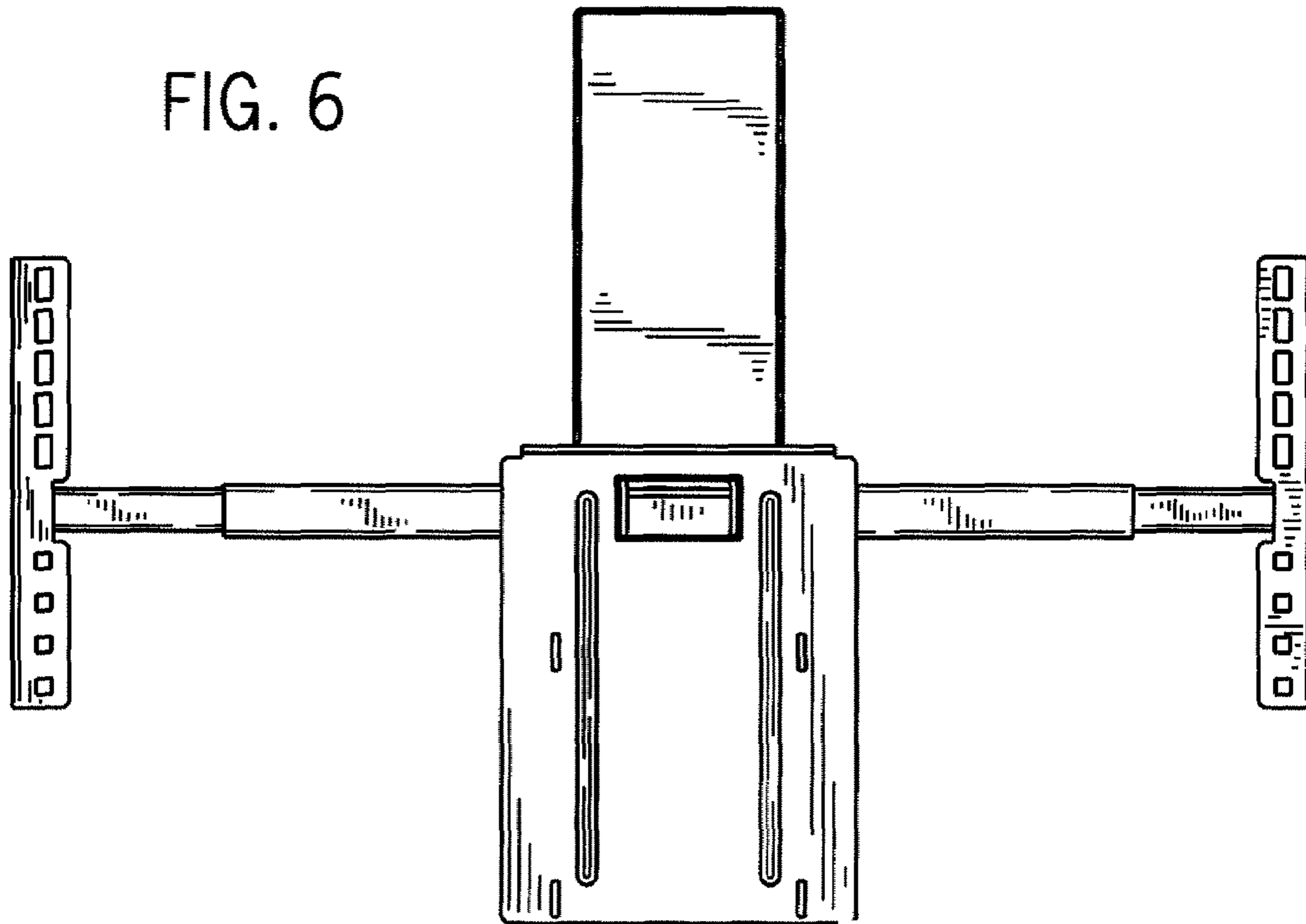
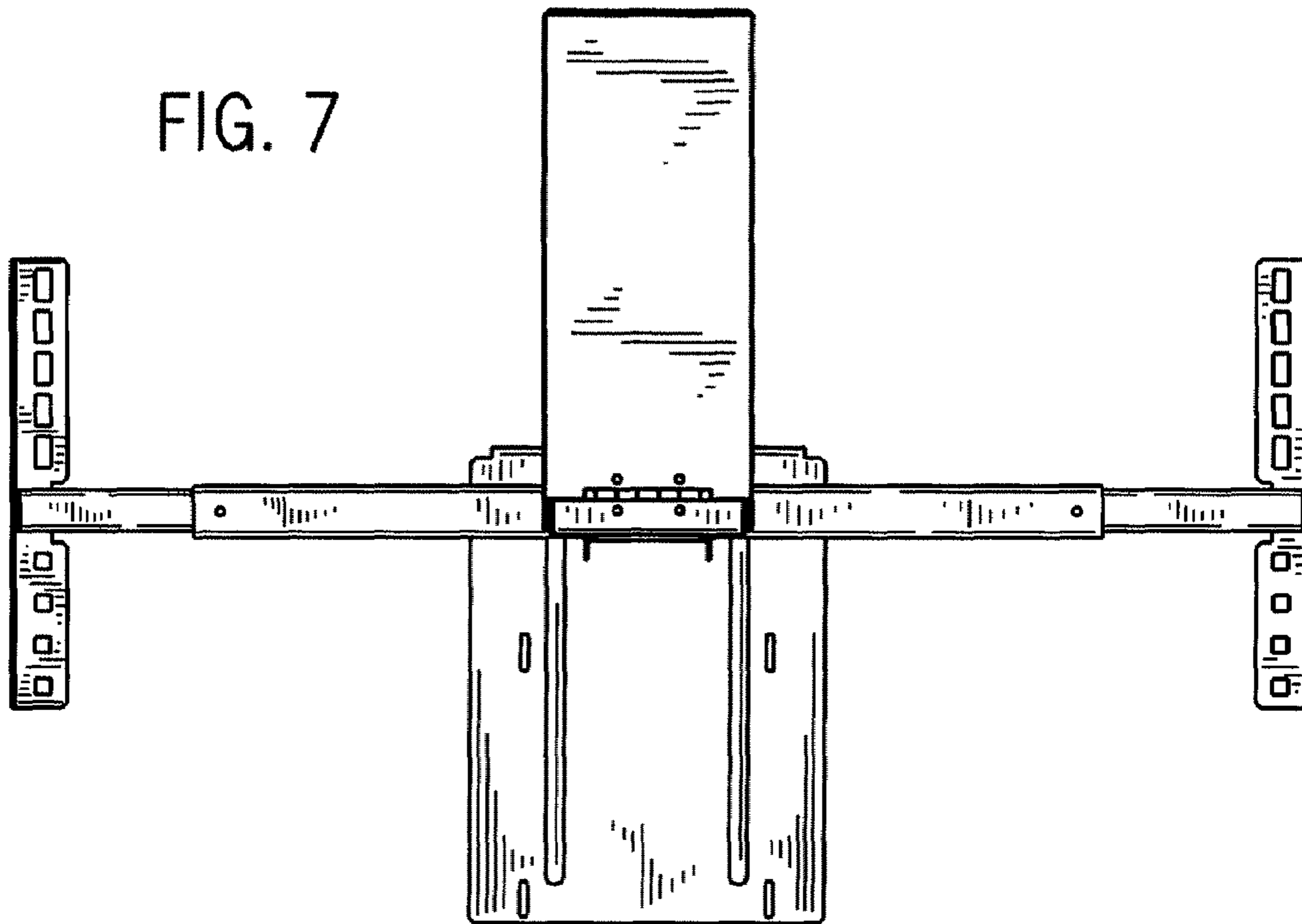


FIG. 7



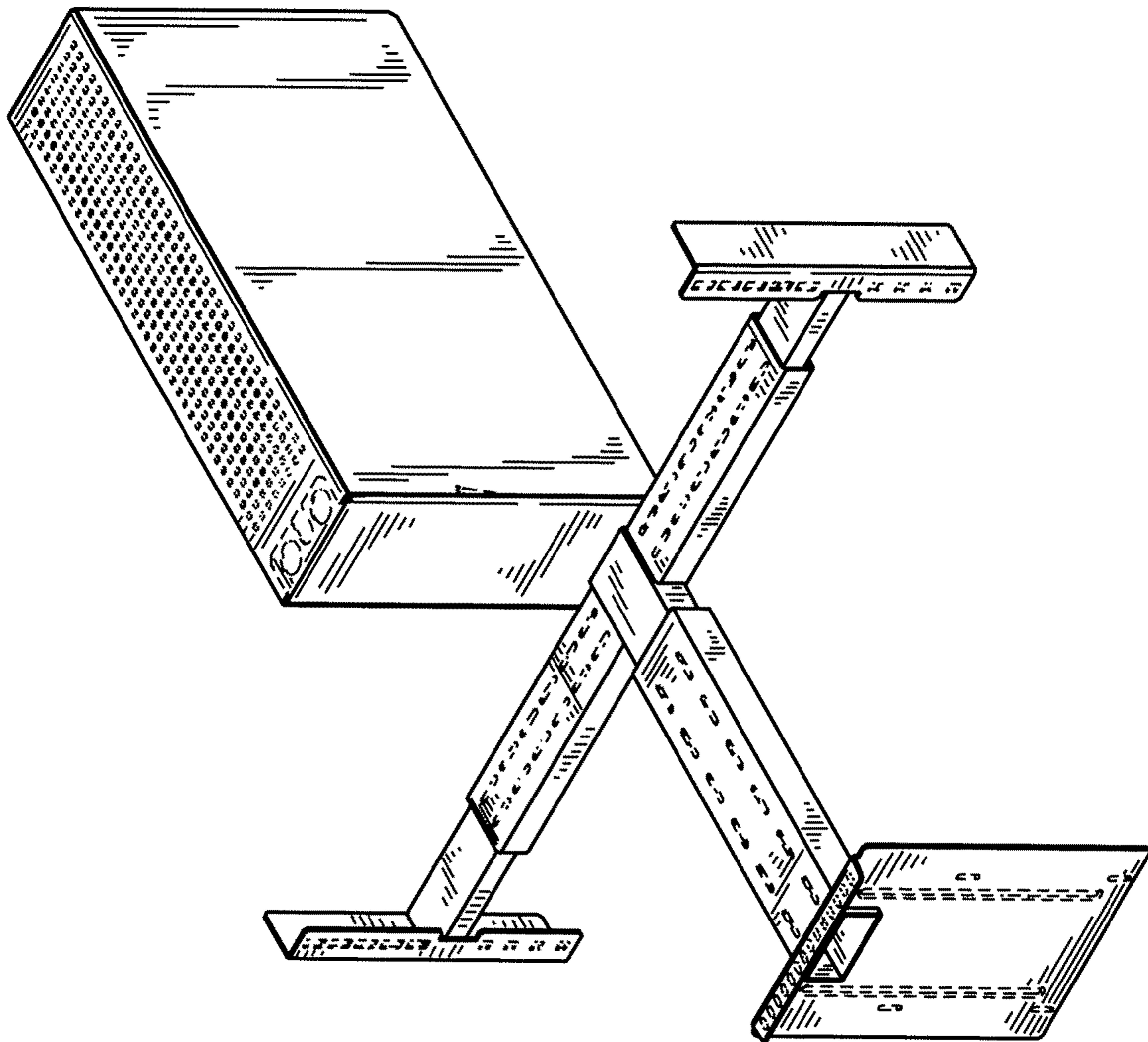


FIG. 8

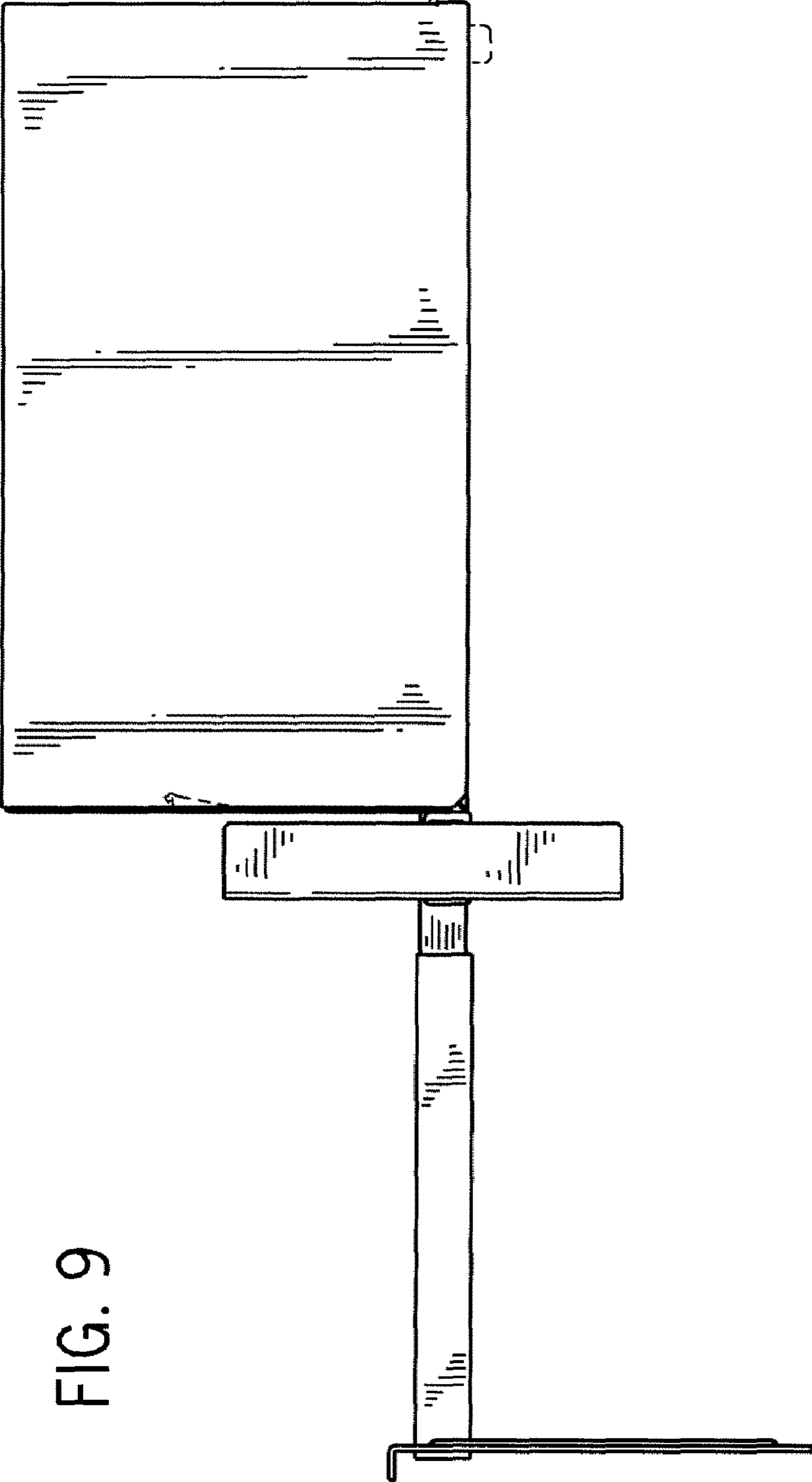


FIG. 9

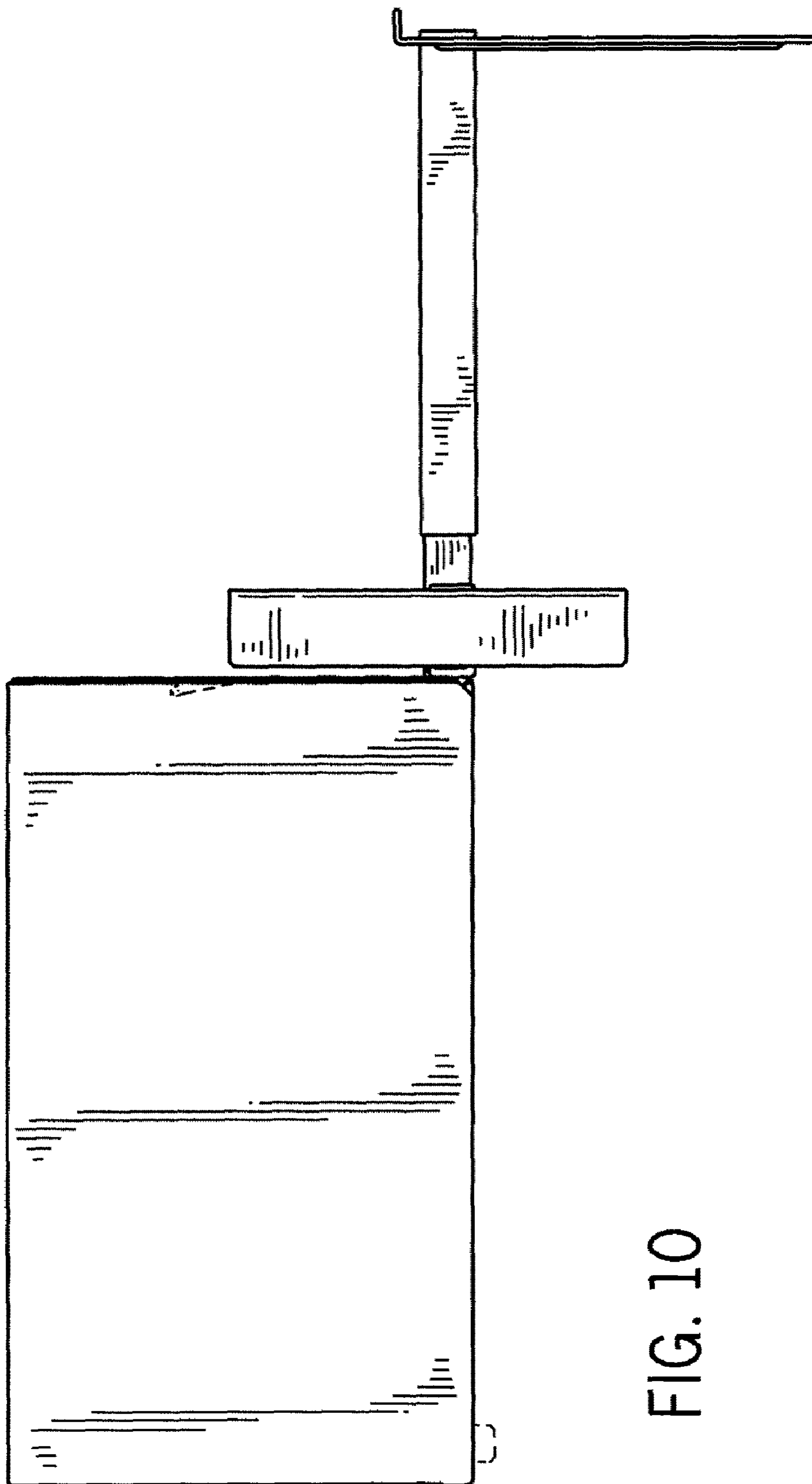


FIG. 10

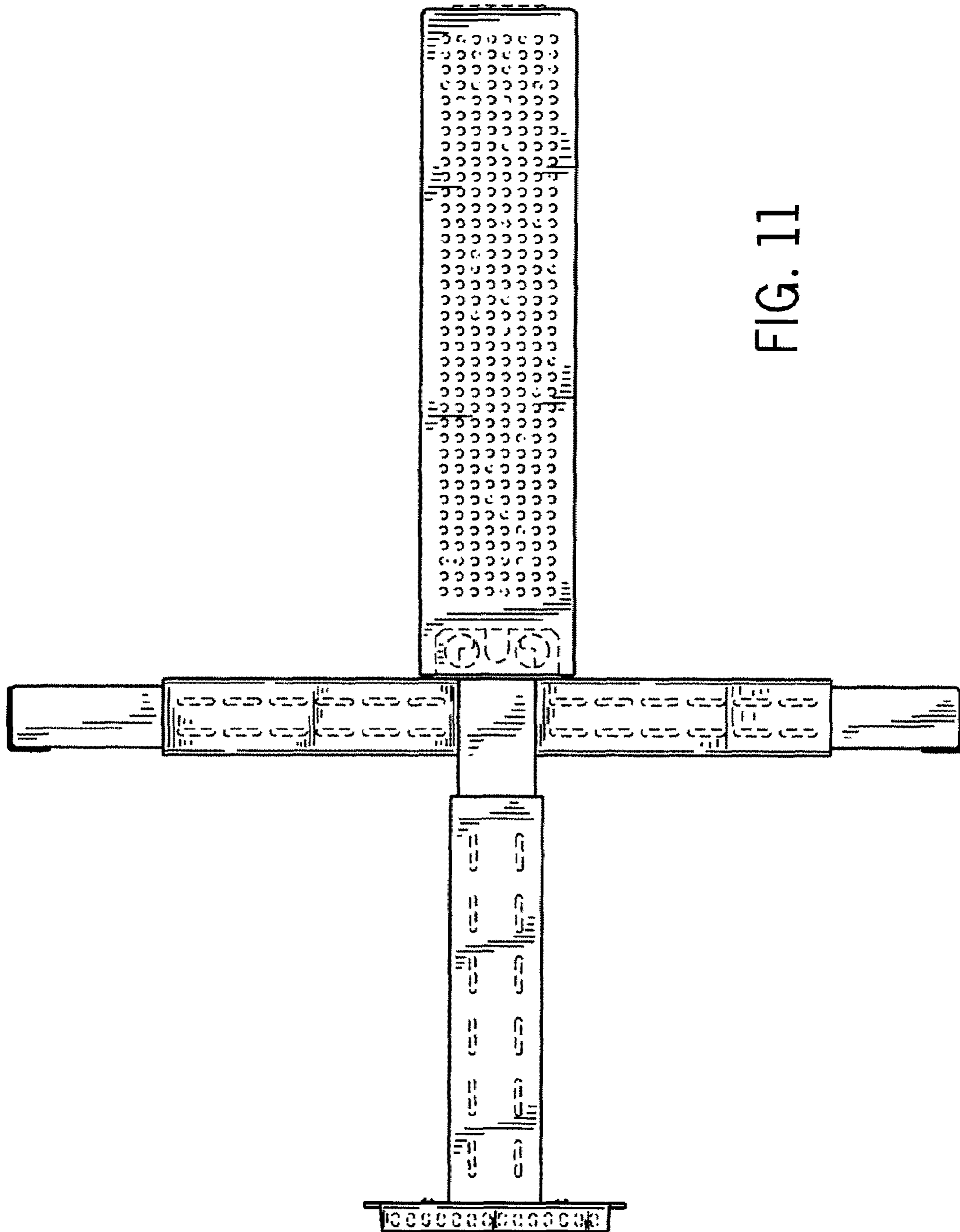


FIG. 11

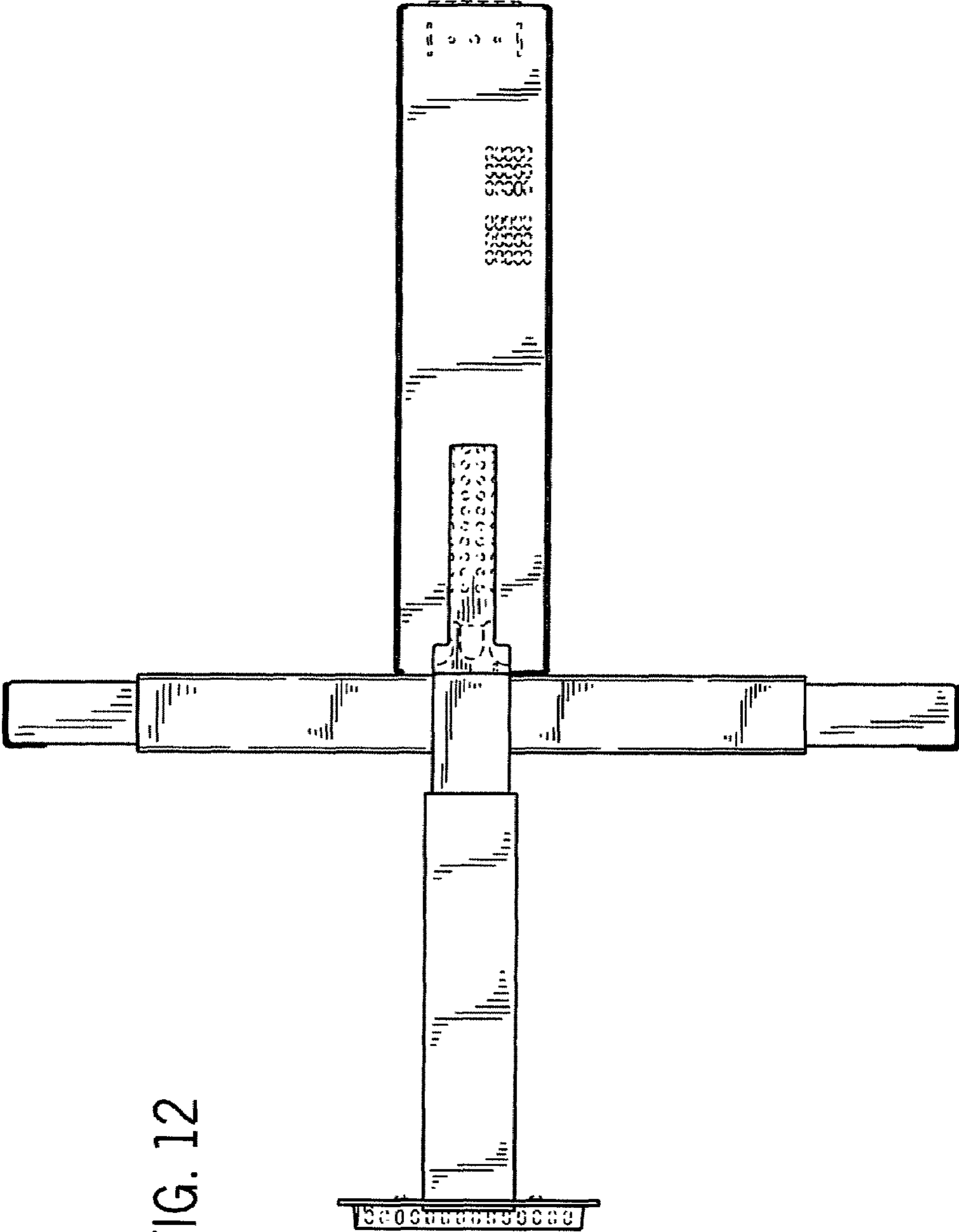


FIG. 12

FIG. 13

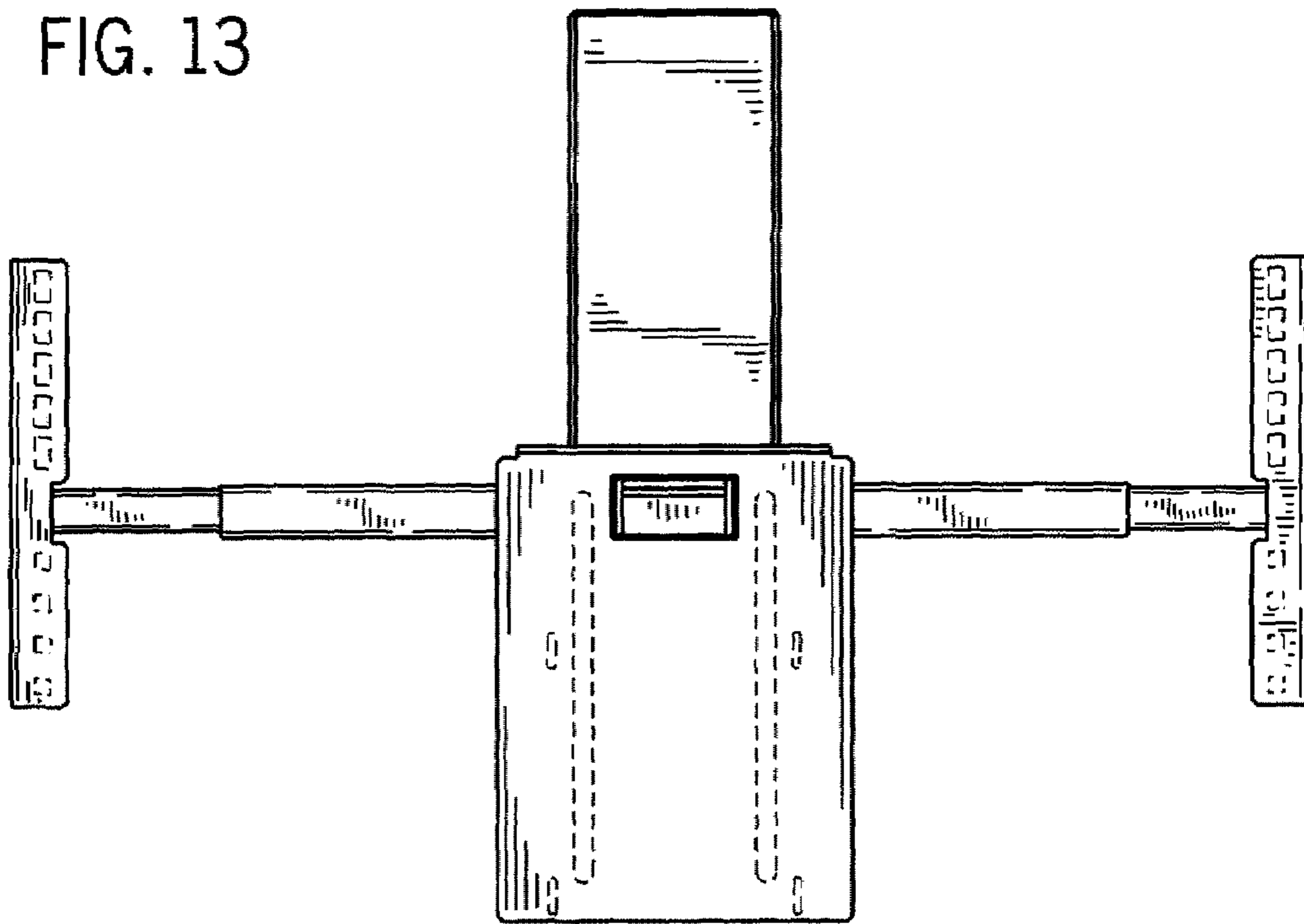


FIG. 14

