



US00D593102S

(12) **United States Design Patent**  
**Dearborn et al.**

(10) **Patent No.:** **US D593,102 S**

(45) **Date of Patent:** **\*\* May 26, 2009**

(54) **INFORMATION HANDLING SYSTEM BEZEL**

7,420,800 B1 \* 9/2008 Knapp et al. .... 361/679.55

(75) Inventors: **Timothy C. Dearborn**, Lakeway, TX (US); **Scott Lauffer**, Austin, TX (US); **Bryan K. Hunter**, Round Rock, TX (US); **Mark Gilson**, Austin, TX (US)

\* cited by examiner

*Primary Examiner*—Freda S Nunn  
(74) *Attorney, Agent, or Firm*—Stephen A. Terrile; Hamilton & Terrile, LLP

(73) Assignee: **Dell Products L.P.**, Round Rock, TX (US)

(57) **CLAIM**

(\*\*) Term: **14 Years**

The ornamental design for information handling system bezel, as shown and described.

(21) Appl. No.: **29/325,855**

**DESCRIPTION**

(22) Filed: **Oct. 7, 2008**

FIG. 1 is a front perspective view of the information handling system bezel comprising the present invention;

(51) **LOC (9) Cl.** ..... **14-02**

FIG. 2 is a front view thereof;

(52) **U.S. Cl.** ..... **D14/445; D14/313**

FIG. 3 is a right side view thereof;

(58) **Field of Classification Search** ..... D14/441–446, D14/356, 313, 360–368; D13/162, 184, D13/199; 312/223.2; 361/686, 690–696, 361/679.55; 369/34.01, 36.01; D6/300

FIG. 4 is a left side view thereof;

FIG. 5 is a back view thereof;

See application file for complete search history.

FIG. 6 is a top view thereof; and,

FIG. 7 is a bottom view thereof.

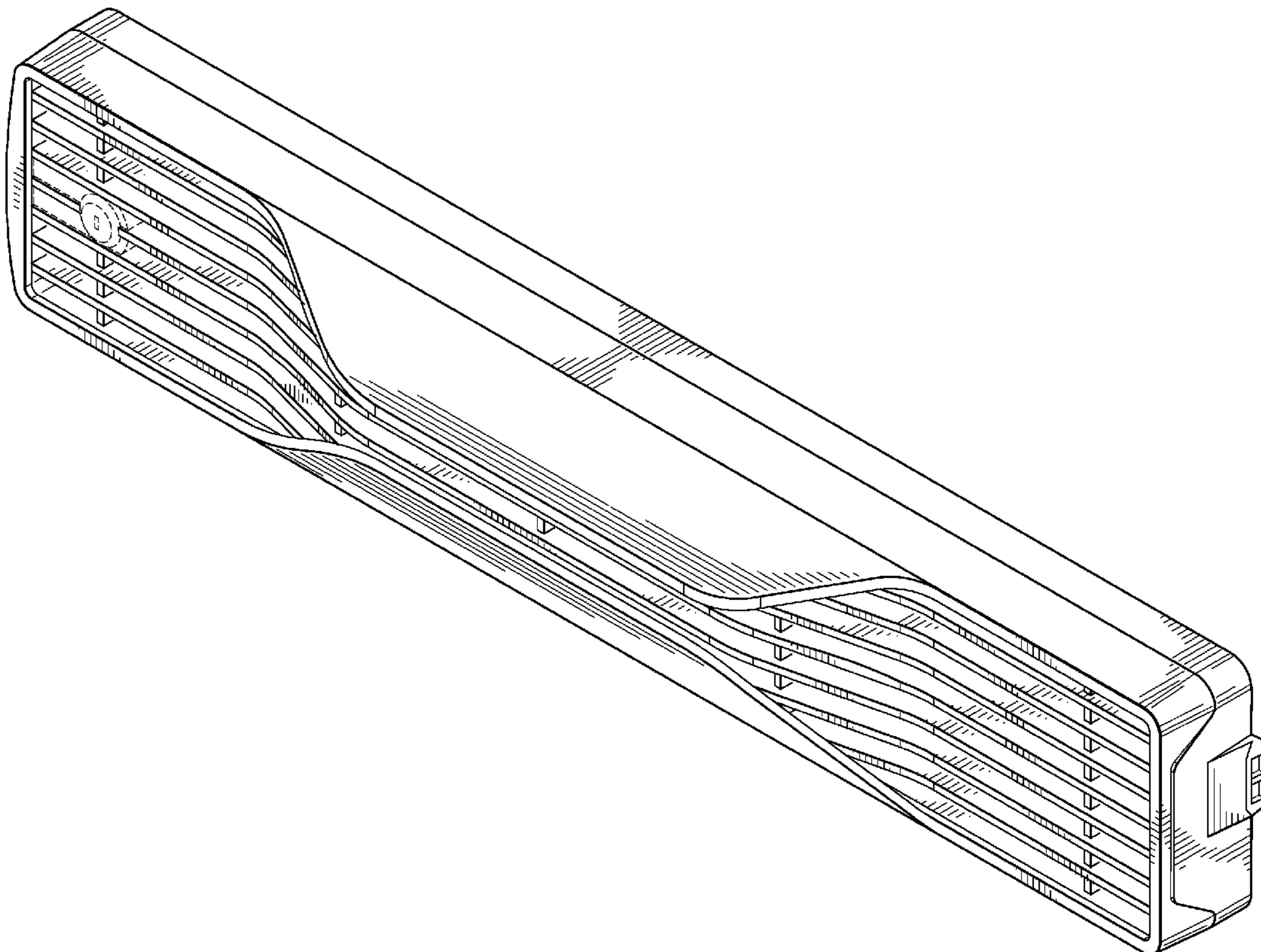
(56) **References Cited**

Broken lines shown in the drawings illustrate portions of the information handling system bezel, and form no part of the claimed design.

**U.S. PATENT DOCUMENTS**

- D564,523 S \* 3/2008 Chen et al. .... D14/442
- D564,525 S \* 3/2008 Chen et al. .... D14/442
- D576,167 S \* 9/2008 Dearborn et al. .... D14/444

**1 Claim, 3 Drawing Sheets**



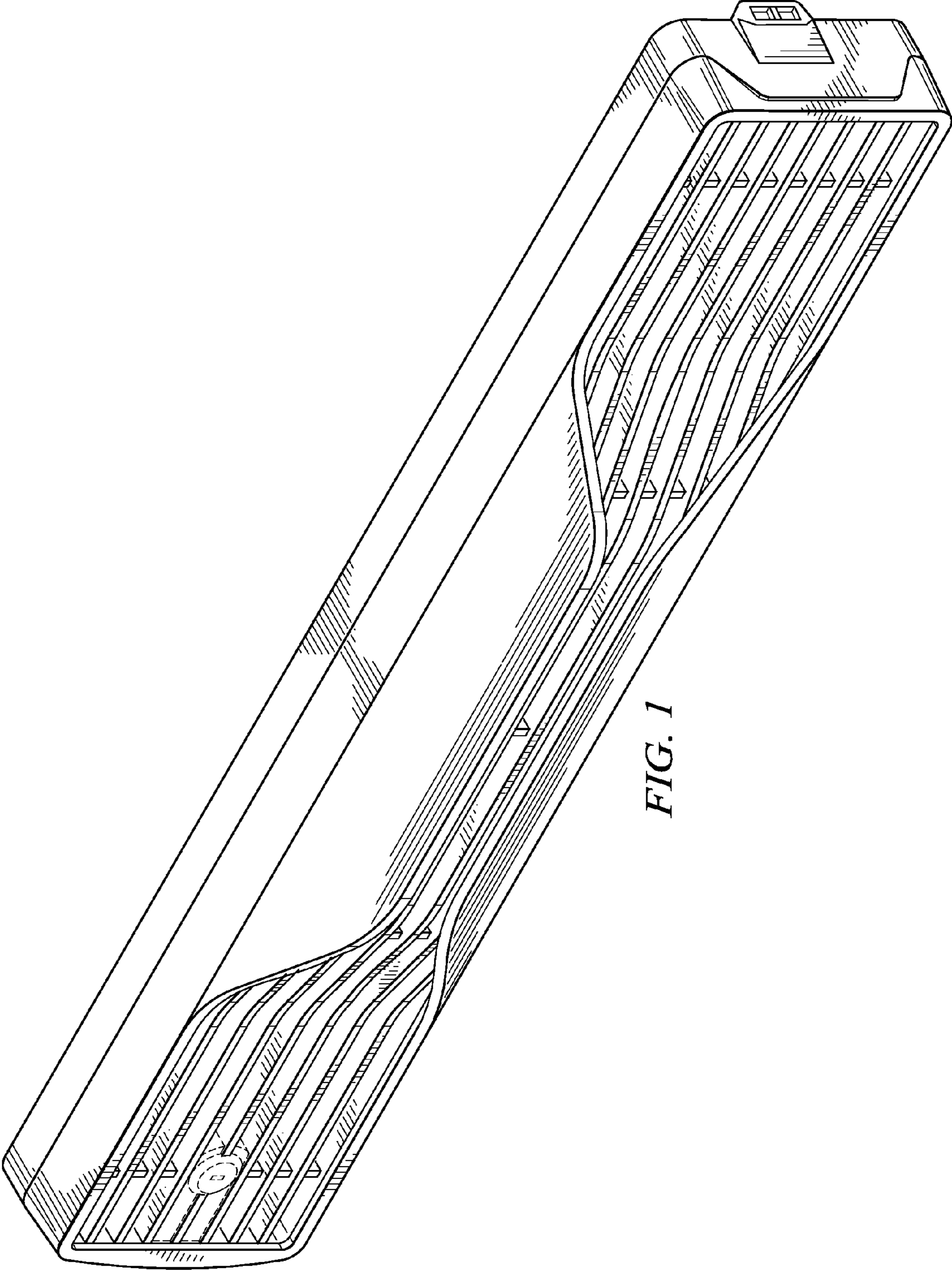


FIG. 1

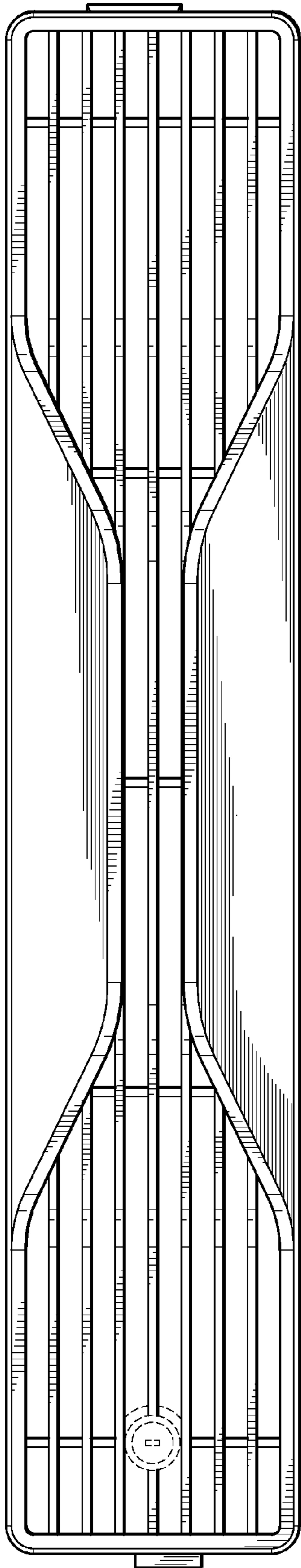


FIG. 2

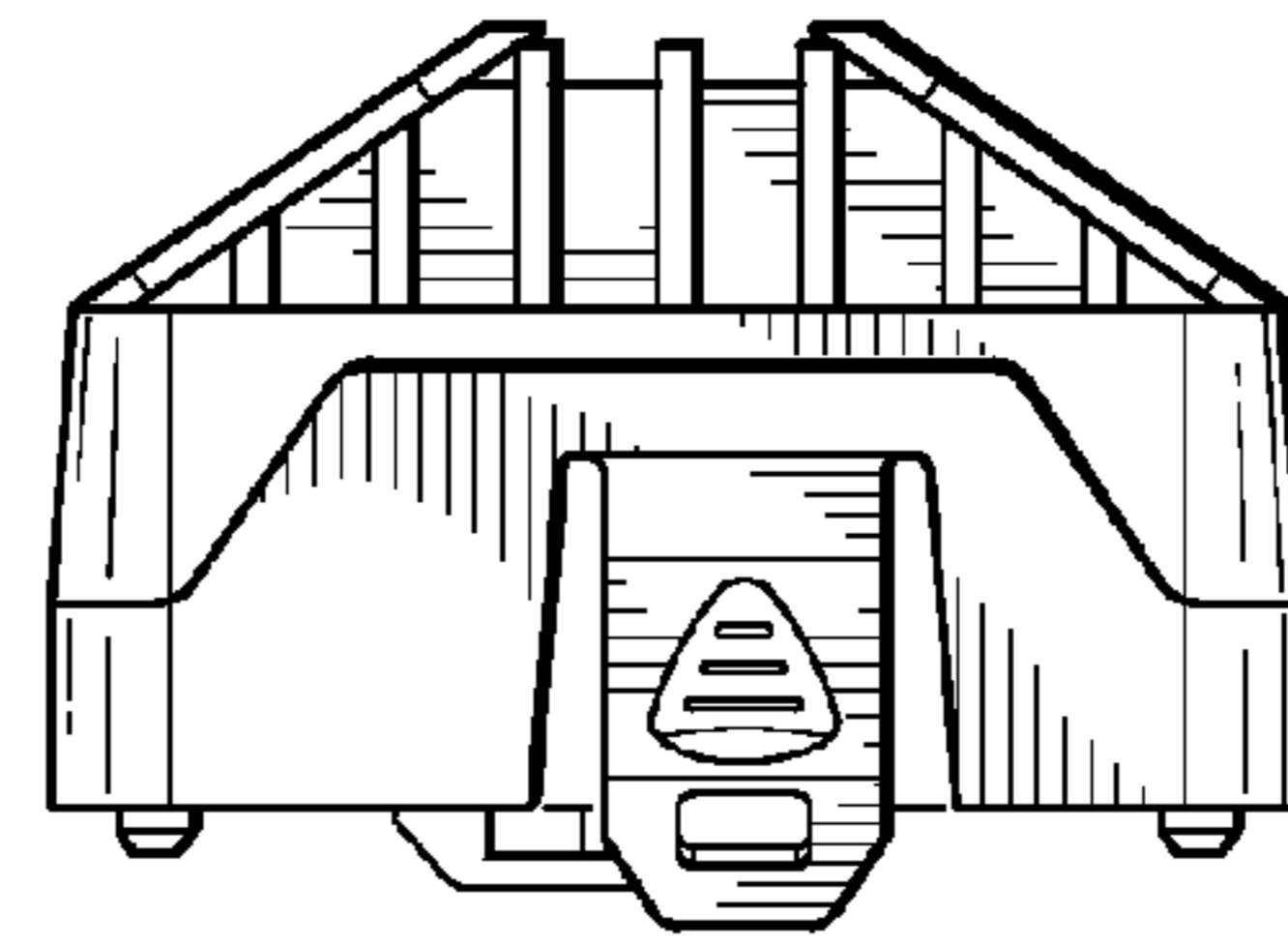


FIG. 4

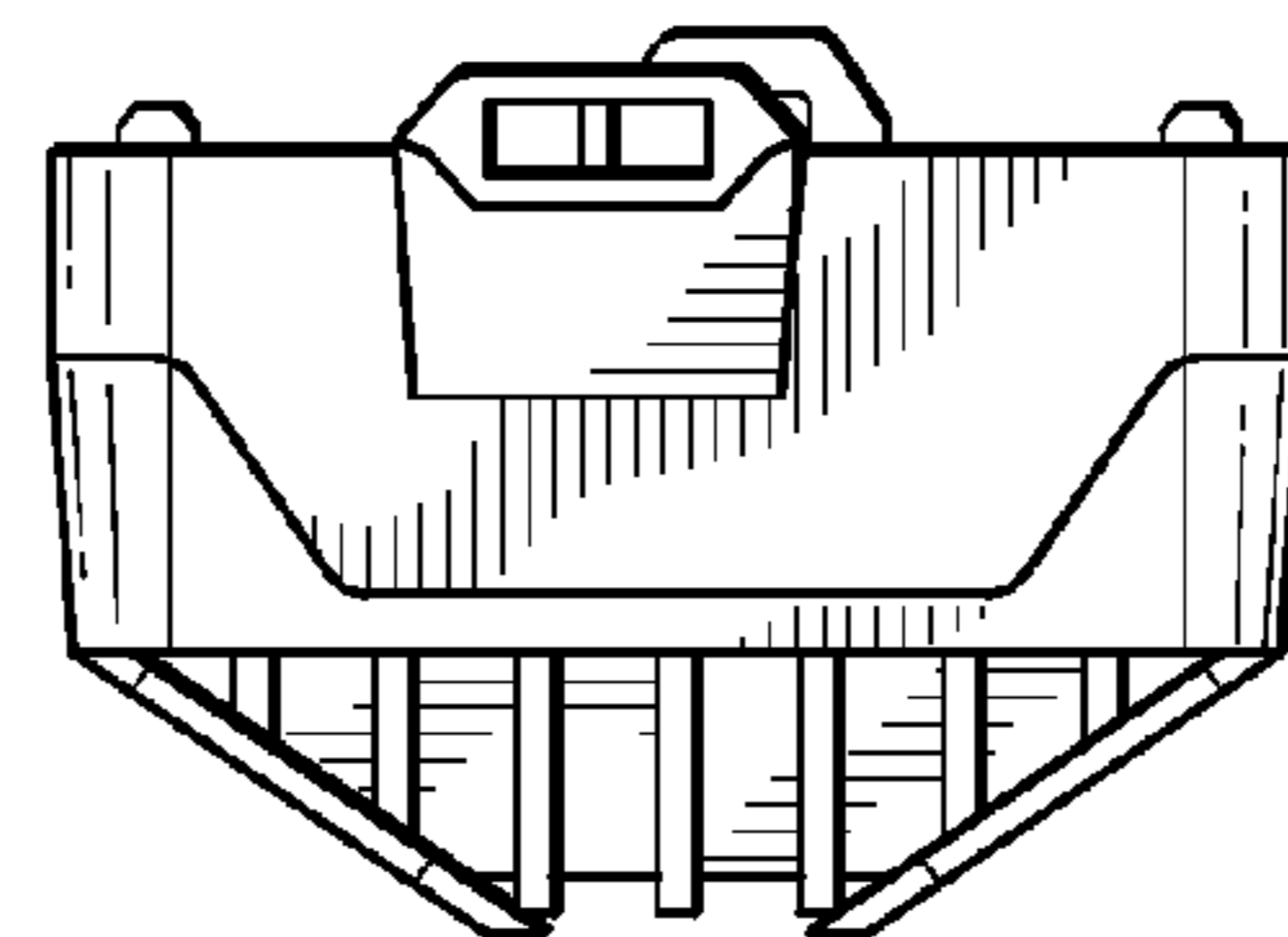


FIG. 3

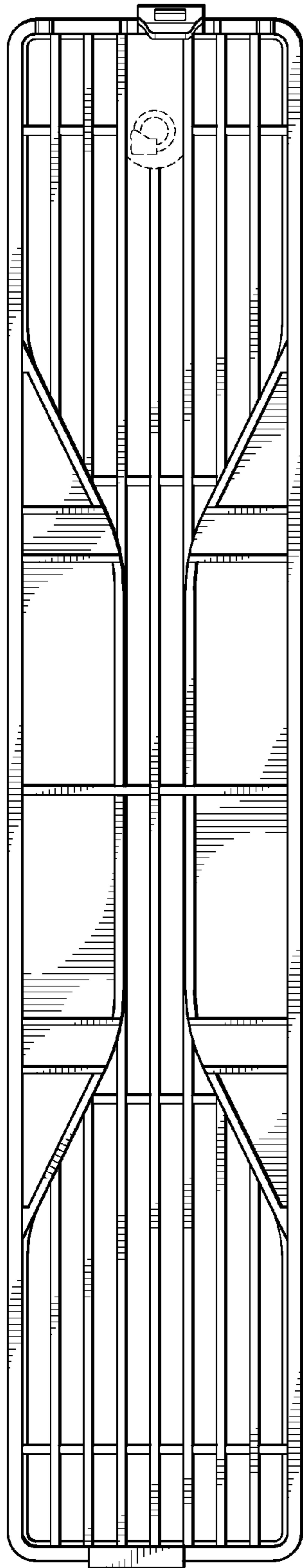


FIG. 5

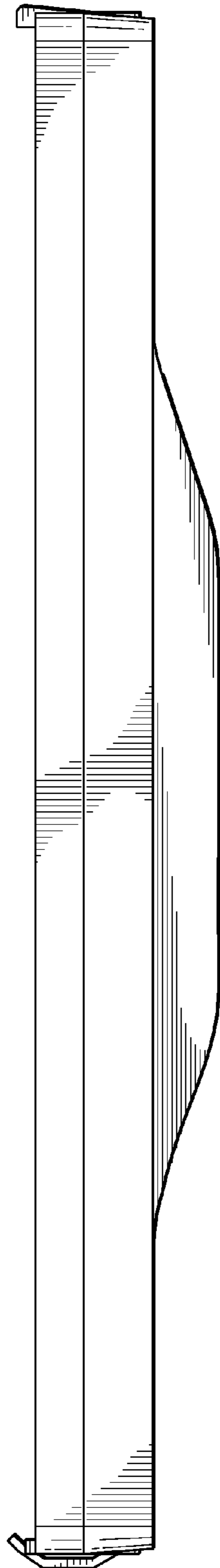


FIG. 6

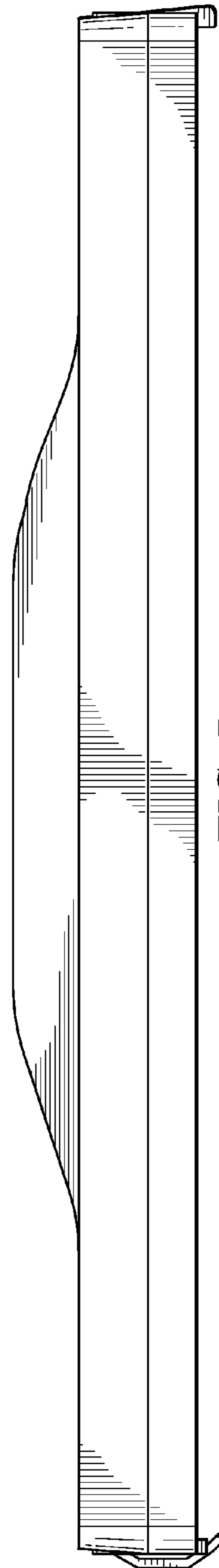


FIG. 7