



US00D593100S

(12) **United States Design Patent**  
**Alfonso et al.**

(10) **Patent No.:** **US D593,100 S**

(45) **Date of Patent:** **\*\* May 26, 2009**

(54) **BEZEL FOR RACK STORAGE SYSTEM**

(75) Inventors: **Pedro Alfonso**, Austin, TX (US);  
**Yinggang Du**, Round Rock, TX (US)

(73) Assignee: **Dell Products L.P.**, Round Rock, TX (US)

(\*\*) Term: **14 Years**

(21) Appl. No.: **29/320,171**

(22) Filed: **Jun. 23, 2008**

(51) **LOC (9) Cl.** ..... **14-02**

(52) **U.S. Cl.** ..... **D14/444; D14/313**

(58) **Field of Classification Search** ..... D14/441-446,  
D14/356, 313, 360-368; D13/162, 184,  
D13/199; 312/223.2; 361/686, 690-696;  
369/34.01, 36.01; D6/300

See application file for complete search history.

(56) **References Cited**

**U.S. PATENT DOCUMENTS**

D263,395 S *	3/1982	Karas et al. ....	D14/313
D335,651 S *	5/1993	Jones et al. ....	D14/313
D398,601 S *	9/1998	Fu .....	D14/444
D406,579 S *	3/1999	Kazamaki et al. ....	D14/444
D408,386 S *	4/1999	Yeh et al. ....	D14/445
D408,390 S *	4/1999	Liu .....	D14/446
D409,391 S *	5/1999	Zaidman .....	D6/300
D419,983 S *	2/2000	Foslien et al. ....	D14/441

D421,431 S *	3/2000	Mazzetti et al. ....	D14/442
D474,187 S *	5/2003	Hsu .....	D14/445
D537,446 S *	2/2007	Ayala et al. ....	D14/441
D551,234 S *	9/2007	Zong et al. ....	D14/442
D555,160 S *	11/2007	Cox et al. ....	D14/445
D566,119 S *	4/2008	Dearborn et al. ....	D14/446
D566,120 S *	4/2008	Dearborn et al. ....	D14/446

\* cited by examiner

*Primary Examiner*—Freda S Nunn

(74) *Attorney, Agent, or Firm*—Robert W. Holland; Hamilton & Terrile, LLP

(57) **CLAIM**

The ornamental design for bezel for rack storage system, as shown and described.

**DESCRIPTION**

FIG. 1 is a front perspective view of the rack storage system comprising the present invention;

FIG. 2 is a front side view thereof;

FIG. 3 is a right side view thereof;

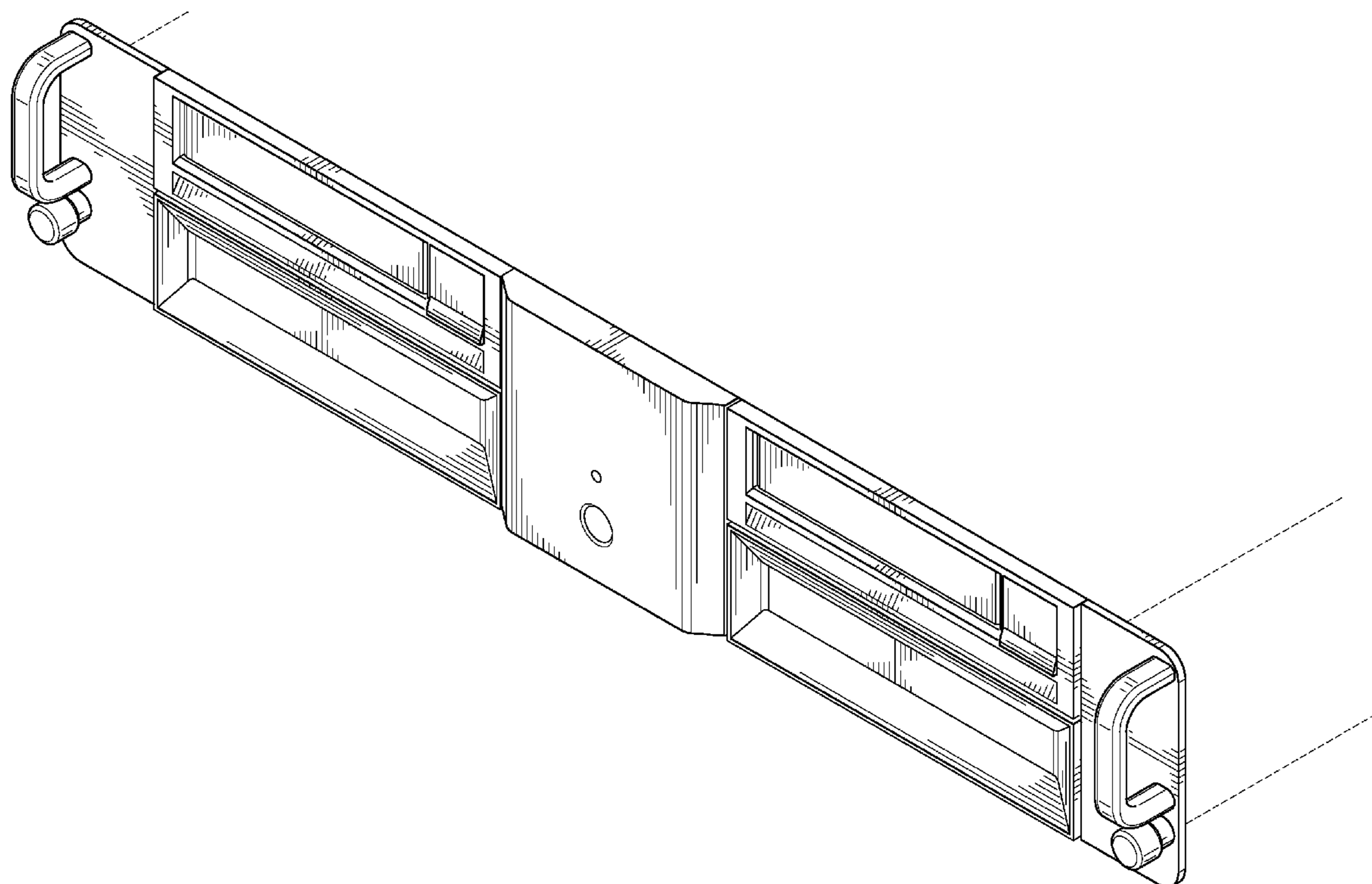
FIG. 4 is a rear view thereof;

FIG. 5 is a top plan view thereof; and,

FIG. 6 is a bottom plan view thereof.

Broken lines shown in the drawings illustrate portions of the rack storage system, and form no part of the claimed design.

**1 Claim, 3 Drawing Sheets**



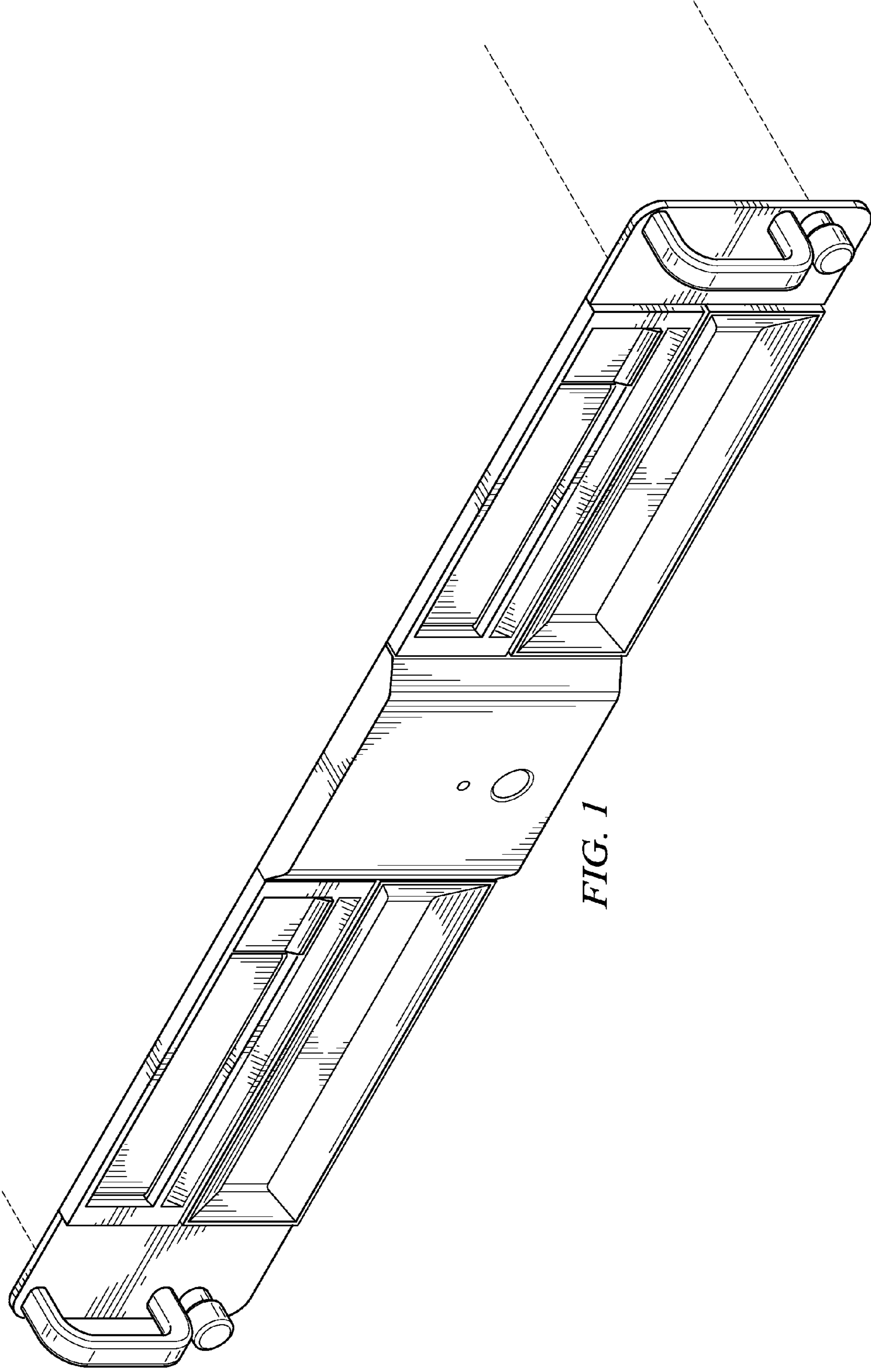


FIG. 1

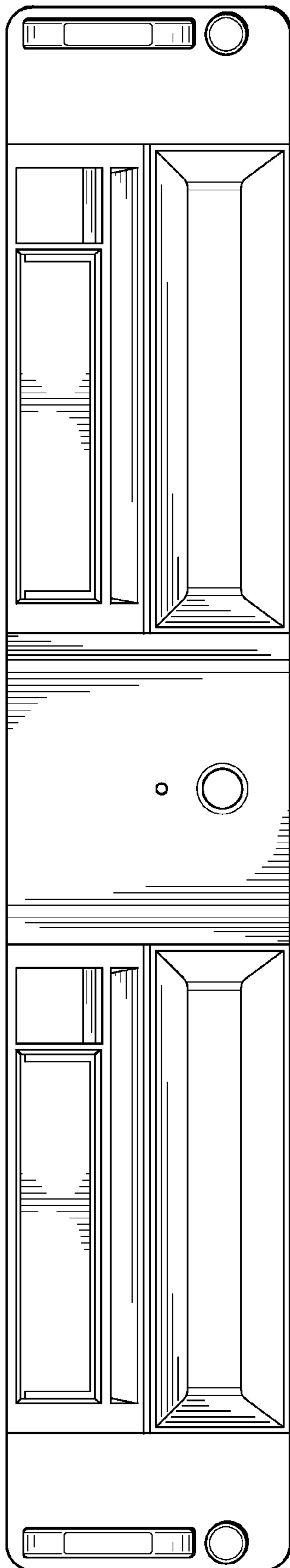


FIG. 2

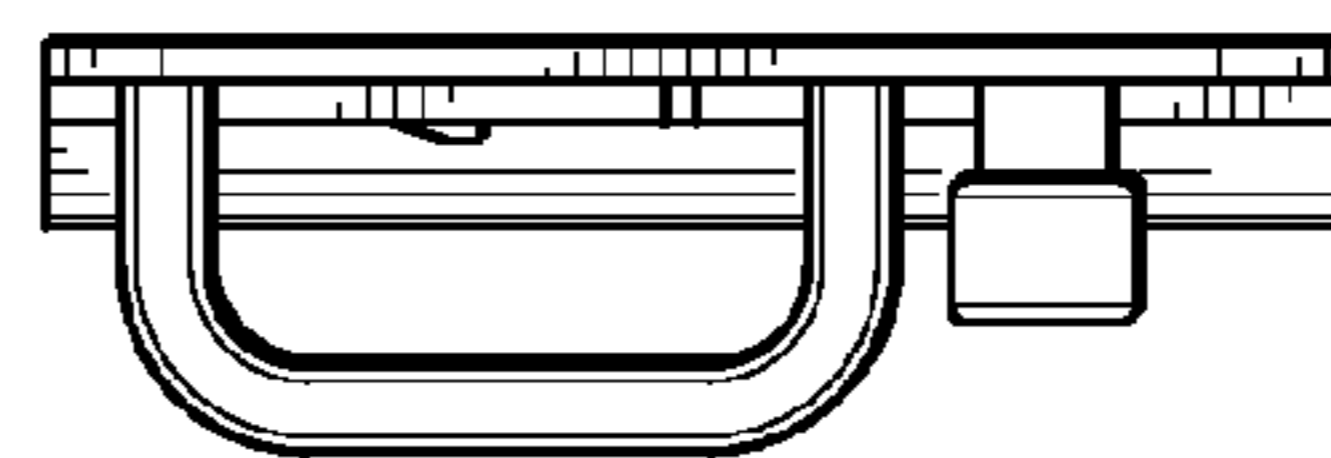
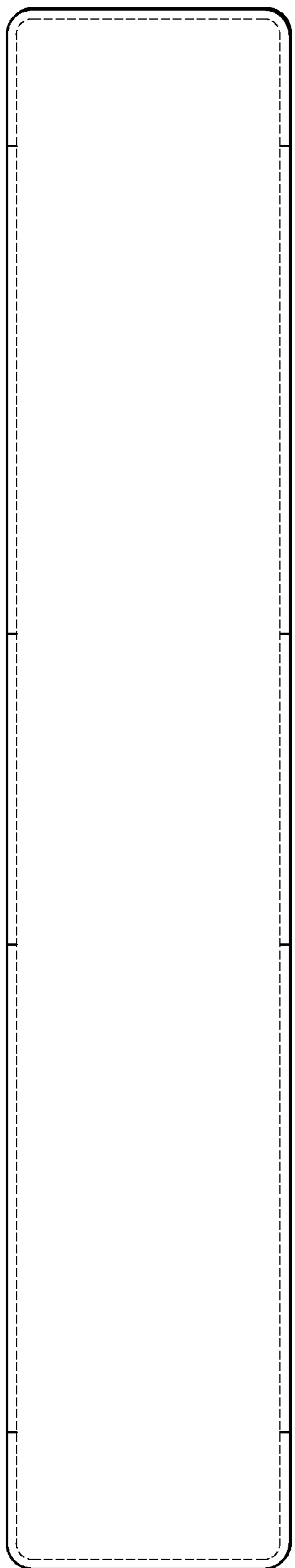
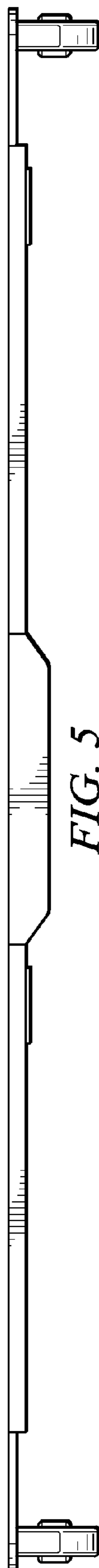


FIG. 3



*FIG. 4*



*FIG. 5*



*FIG. 6*