



US00D593092S

(12) **United States Design Patent**
Huang

(10) **Patent No.:** **US D593,092 S**

(45) **Date of Patent:** **** May 26, 2009**

(54) **DISPLAY**

(75) Inventor: **Shao-Wei Huang**, Taipei County (TW)

(73) Assignee: **AmTRAN Technology Co., Ltd**, Taipei (TW)

(**) Term: **14 Years**

(21) Appl. No.: **29/321,250**

(22) Filed: **Jul. 14, 2008**

(51) **LOC (9) Cl.** **14-02**

(52) **U.S. Cl.** **D14/374**

(58) **Field of Classification Search** D14/371-375,
D14/125-129; 248/917-924; 341/12; 345/104,
345/156, 168, 173, 901-905; 348/180, 184,
348/325, 739; 349/1, 2, 11, 62; 361/680-686,
361/679.23

See application file for complete search history.

(56) **References Cited**

U.S. PATENT DOCUMENTS

D464,049 S * 10/2002 Goto D14/374
D496,045 S * 9/2004 Yang D14/375

6,807,051 B2 * 10/2004 Takahashi 361/679.23
D543,982 S * 6/2007 Hasegawa et al. D14/371
D545,315 S * 6/2007 Kim D14/375
D570,806 S * 6/2008 Lee D14/126

* cited by examiner

Primary Examiner—Freda S Nunn

(74) *Attorney, Agent, or Firm*—Rabin & Berdo, P.C.

(57) **CLAIM**

The ornamental design for a “display,” as shown and described.

DESCRIPTION

FIG. 1 is a perspective view of display showing my new design;

FIG. 2 is a front view thereof;

FIG. 3 is a rear view thereof;

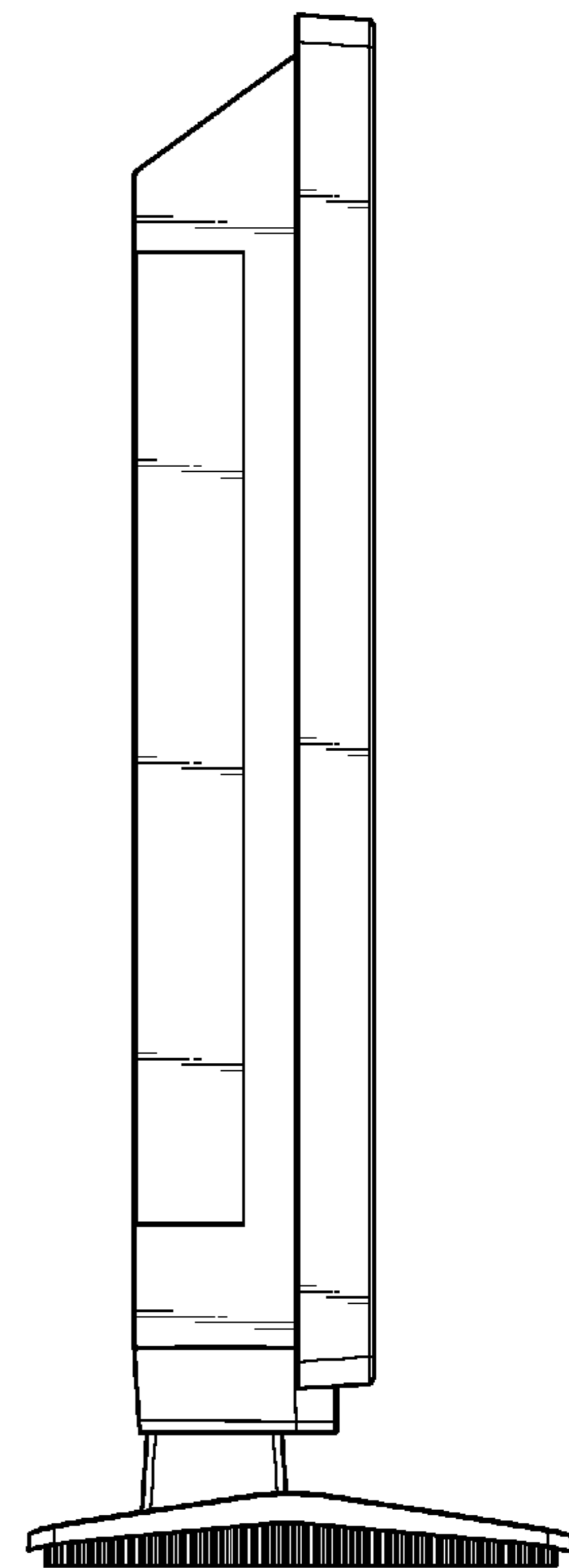
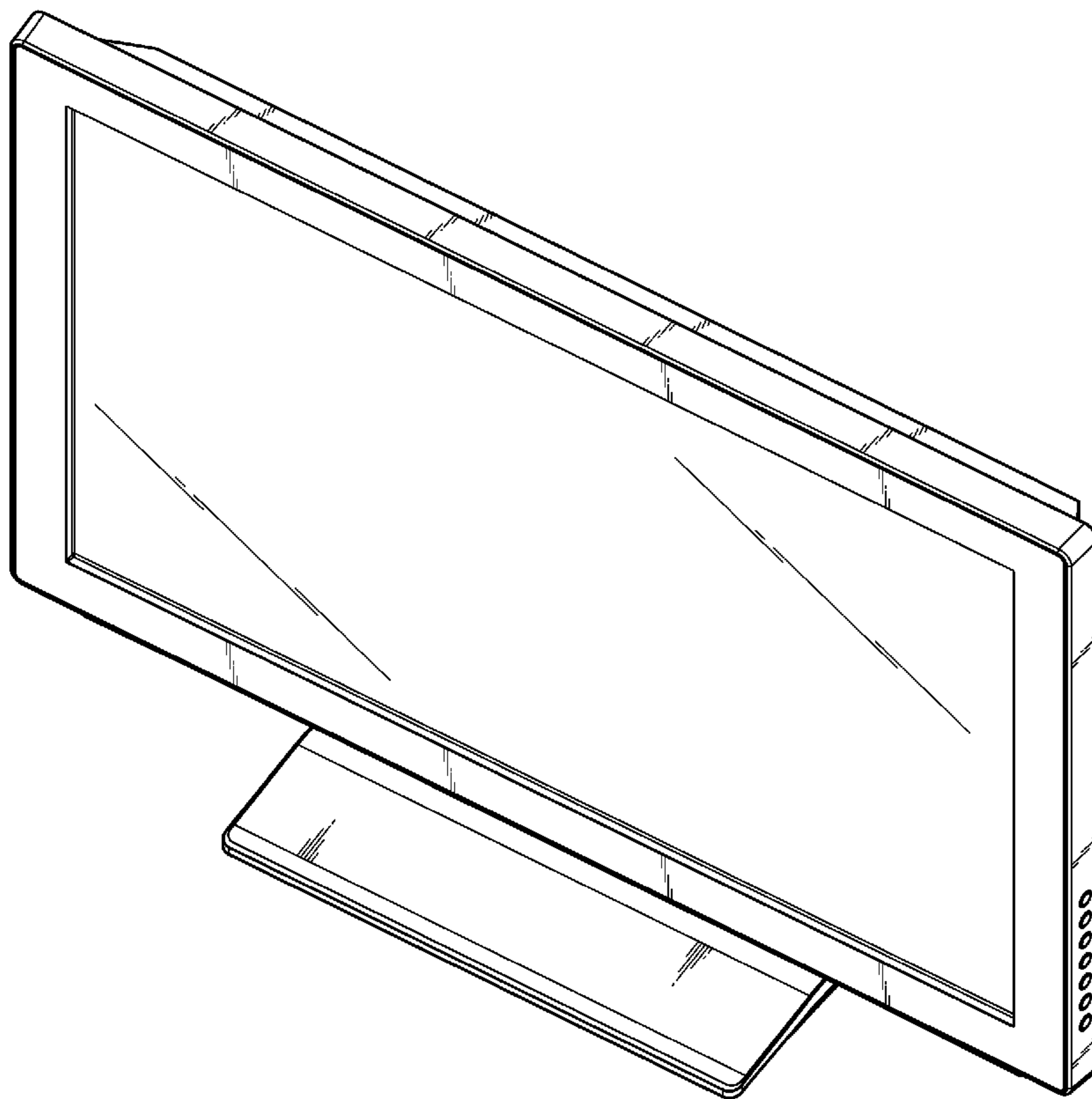
FIG. 4 is a left side elevational view thereof;

FIG. 5 is a right side elevational view thereof;

FIG. 6 is a top view thereof; and,

FIG. 7 is a bottom view thereof.

1 Claim, 5 Drawing Sheets



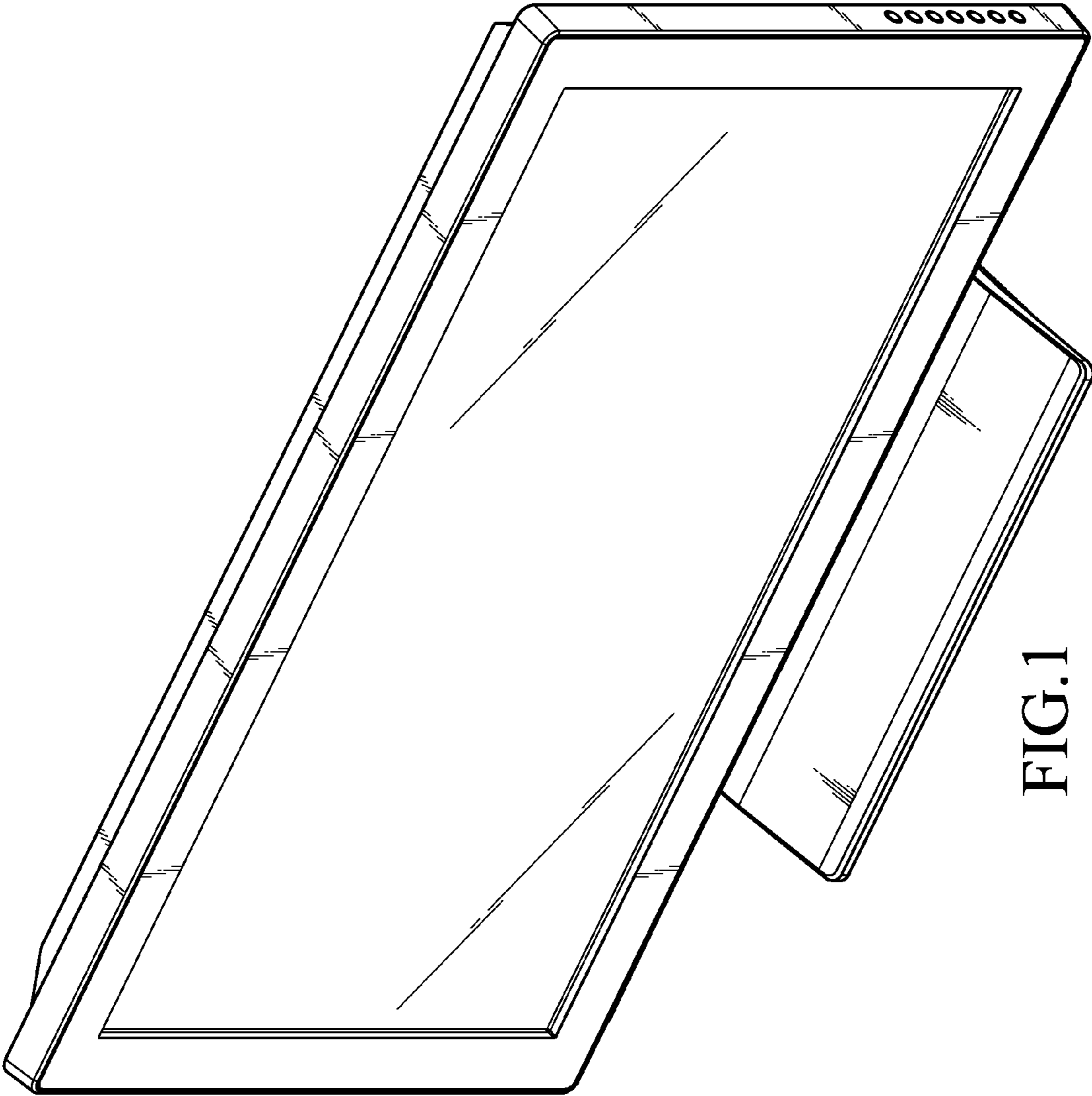


FIG. 1

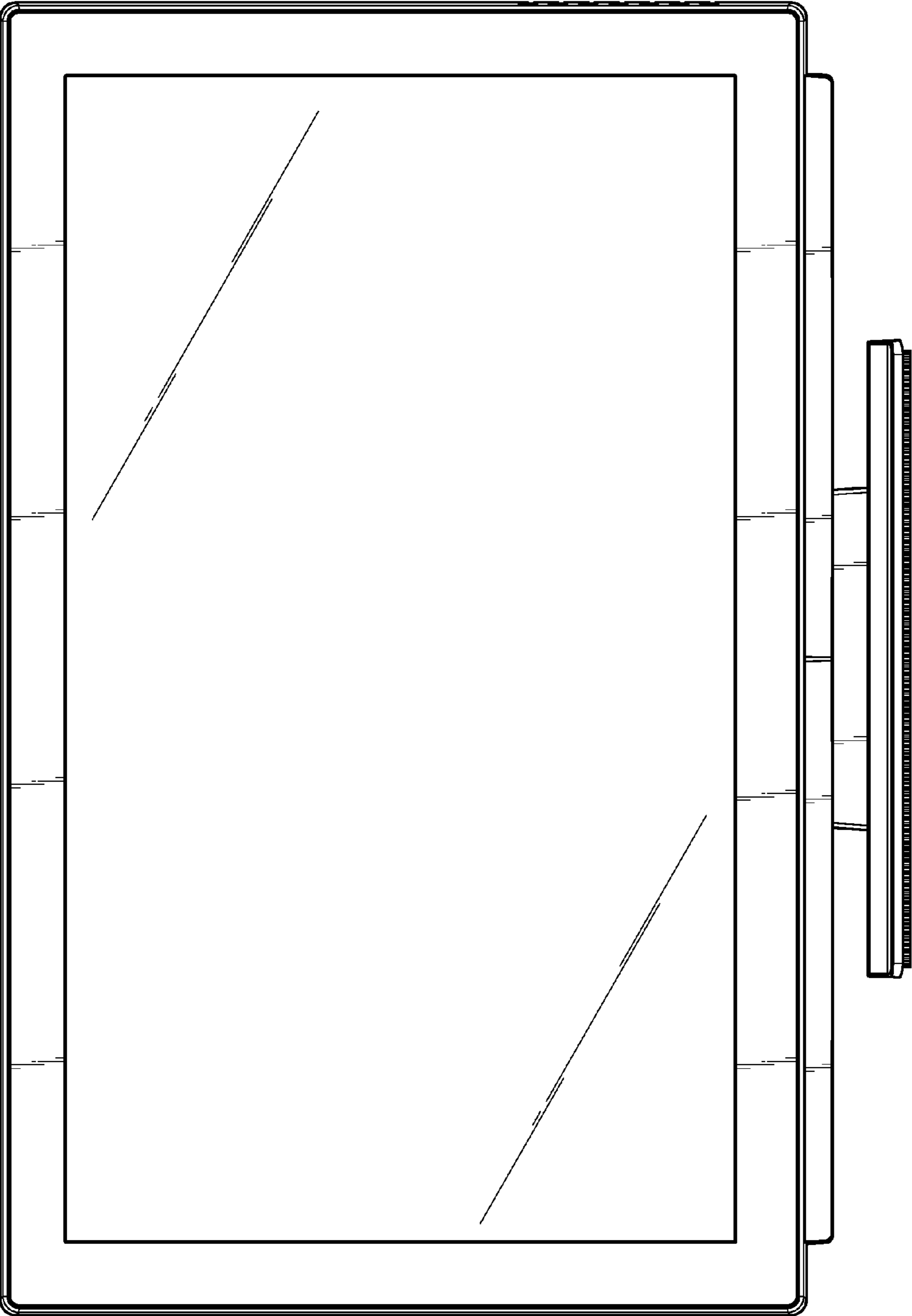


FIG.2

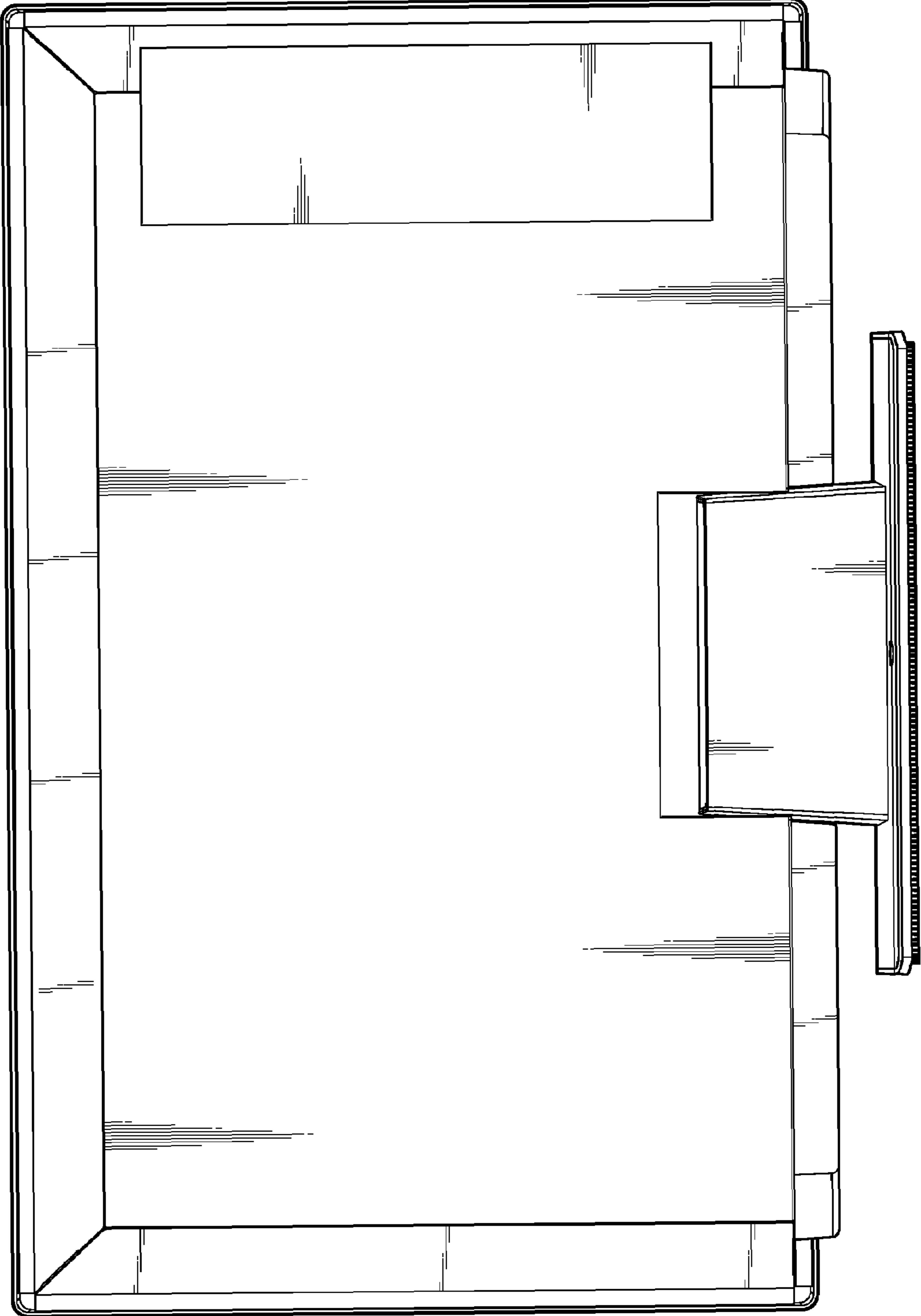


FIG. 3

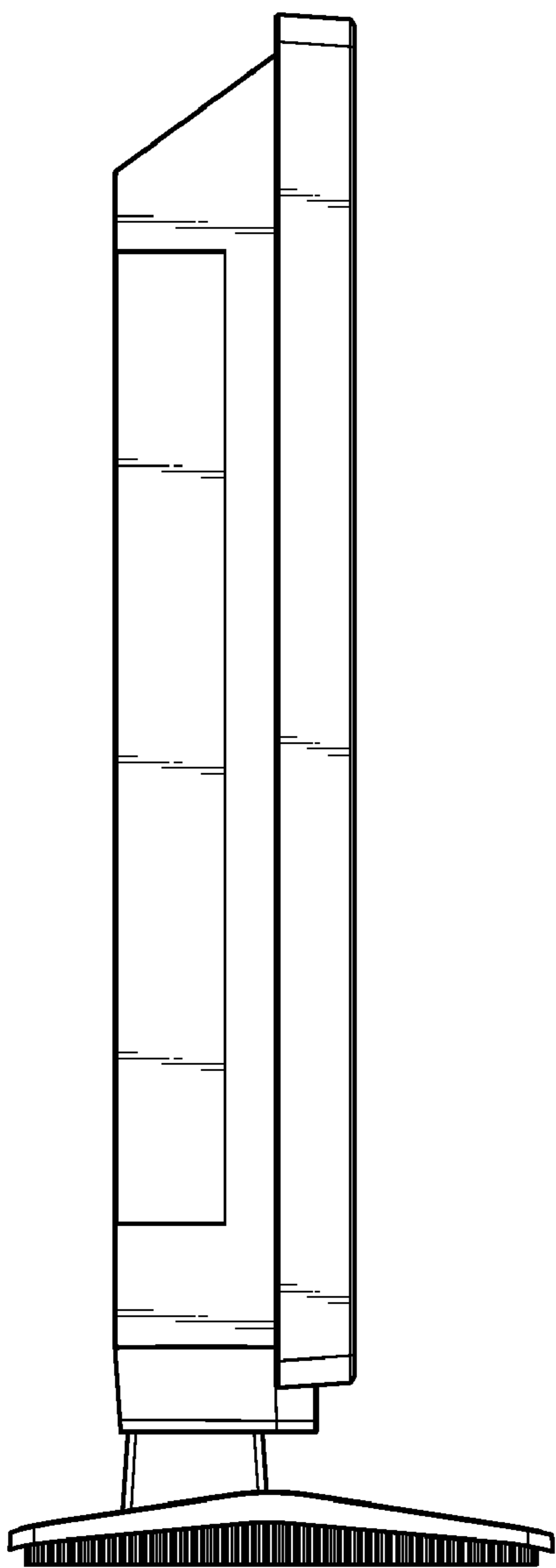


FIG. 4

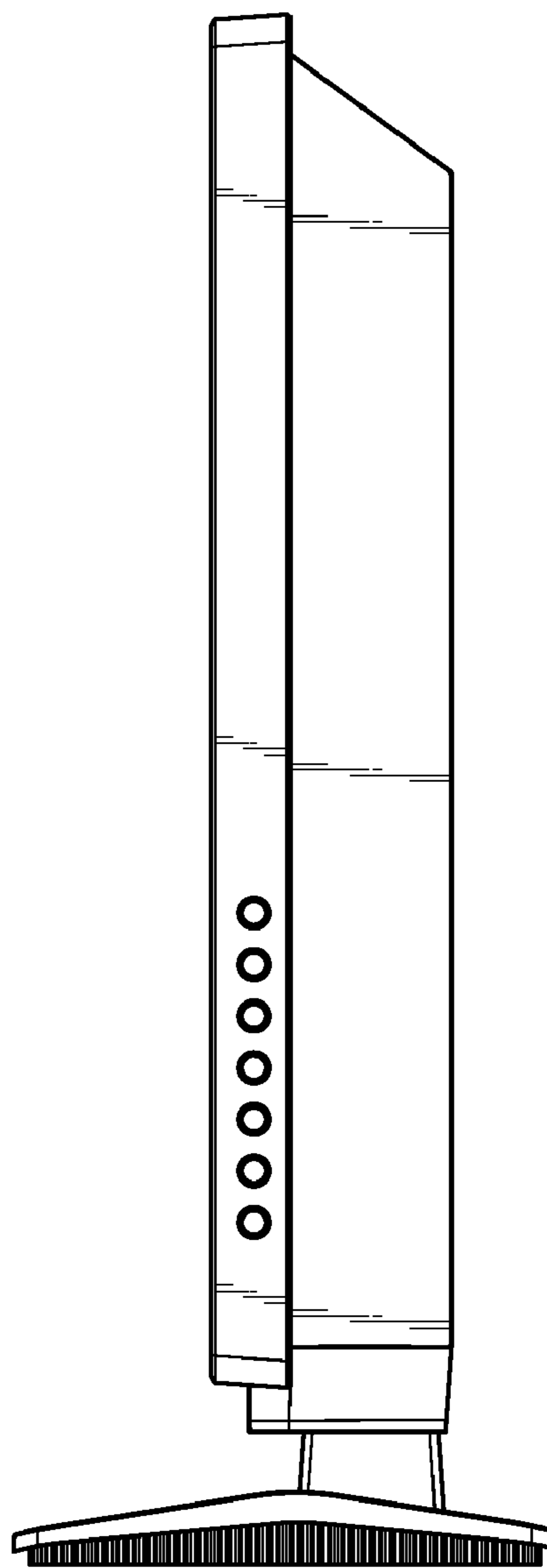


FIG. 5

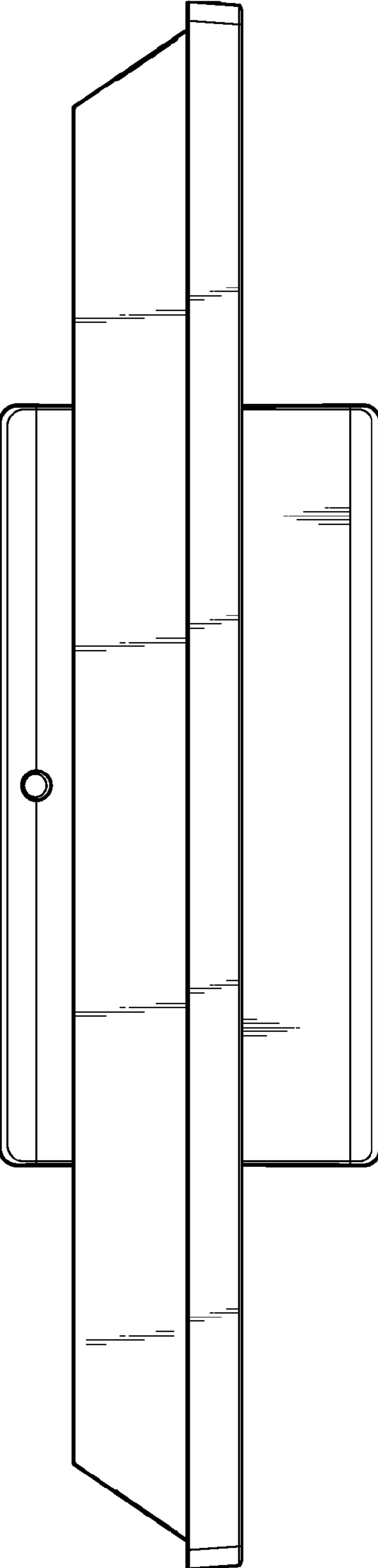


FIG. 6

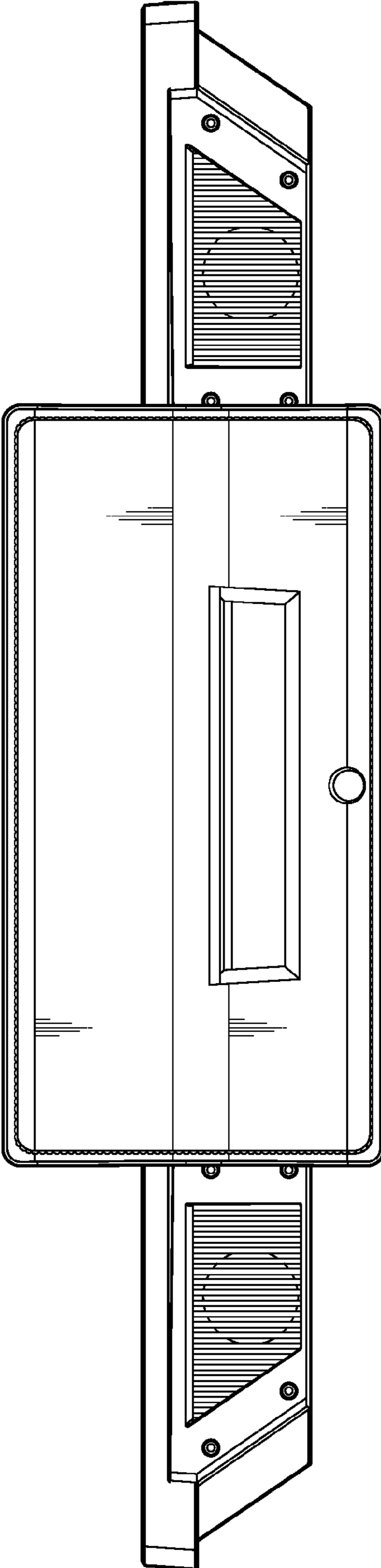


FIG. 7