



US00D593091S

(12) **United States Design Patent**
Behar et al.

(10) **Patent No.:** **US D593,091 S**

(45) **Date of Patent:** **** May 26, 2009**

(54) **DIGITAL DISPLAY DEVICE**

(76) Inventors: **Yves Behar**, 5741 Scarborough Dr., Oakland, CA (US) 94611; **Joshua Morenstein**, 124 Downey St., San Francisco, CA (US) 94117; **Christopher Hibmacronan**, 2429 Damuth St., Oakland, CA (US) 94602; **Naoya Edahiro**, 375 Barlett St., San Francisco, CA (US) 94110; **Matthew David Day**, 425 2nd St., #301, San Francisco, CA (US) 94107

(**) Term: **14 Years**

(21) Appl. No.: **29/318,065**

(22) Filed: **May 13, 2008**

(51) **LOC (9) Cl.** **14-02**

(52) **U.S. Cl.** **D14/371; D14/375**

(58) **Field of Classification Search** D14/315–328, D14/371–375, 341–346; D18/1, 2, 7; 235/145 A, 235/145 R; 345/104, 156, 168, 173, 901–905, 345/1.3; 341/22, 23; 361/680–686; 400/486, 400/489; 248/460

See application file for complete search history.

(56) **References Cited**

U.S. PATENT DOCUMENTS

5,712,760	A *	1/1998	Coulon et al.	361/680
D399,526	S *	10/1998	Brady	D14/345
5,847,698	A *	12/1998	Reavey et al.	345/173
6,464,195	B1 *	10/2002	Hildebrandt	248/460

6,642,909	B1 *	11/2003	Oliva	345/1.3
6,665,175	B1 *	12/2003	deBoer et al.	361/681
D495,694	S *	9/2004	Chase et al.	D14/346
D528,541	S *	9/2006	Maskatia	D14/315
D535,292	S *	1/2007	Shi et al.	D14/315
2003/0048595	A1 *	3/2003	Hsieh et al.	361/680
2004/0228076	A1 *	11/2004	Clapper	361/681
2005/0063145	A1 *	3/2005	Homer et al.	361/683
2005/0128695	A1 *	6/2005	Han	361/683

* cited by examiner

Primary Examiner—Freda S Nunn

(74) *Attorney, Agent, or Firm*—Lowrie, Lando & Anastasi, LLP

(57) **CLAIM**

The ornamental design for a digital display device, as shown and described.

DESCRIPTION

FIG. 1 is a perspective view of the digital display device.

FIG. 2 is a front elevational view.

FIG. 3 is a right side elevational view

FIG. 4 is a rear elevational view.

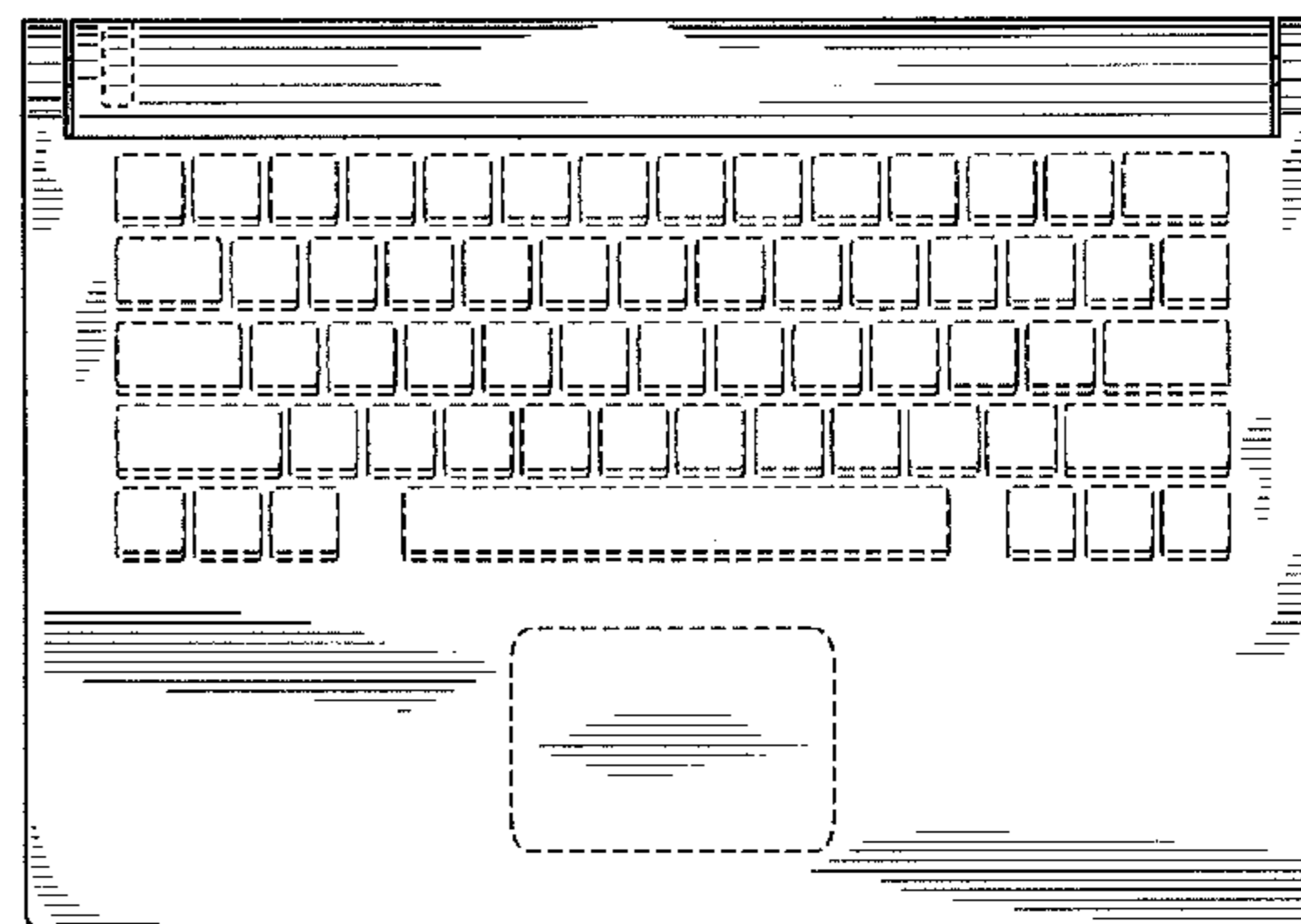
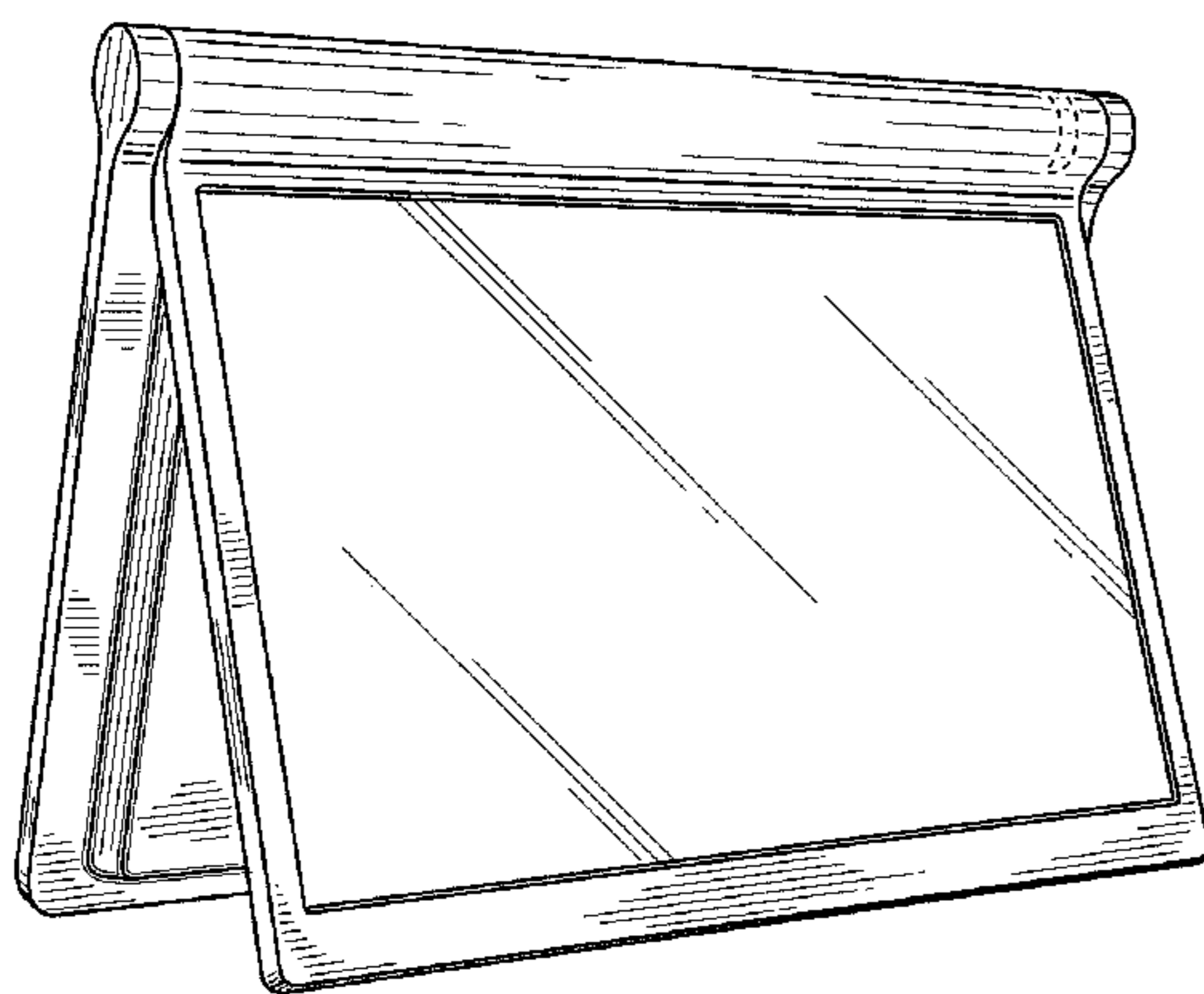
FIG. 5 is a left side elevational view of the digital display device of FIG. 1.

FIG. 6 is a top plan view; and,

FIG. 7 is a bottom plan view.

Broken lines shown in the drawings illustrate portions of the digital display device, and form no part of the claimed design.

1 Claim, 3 Drawing Sheets



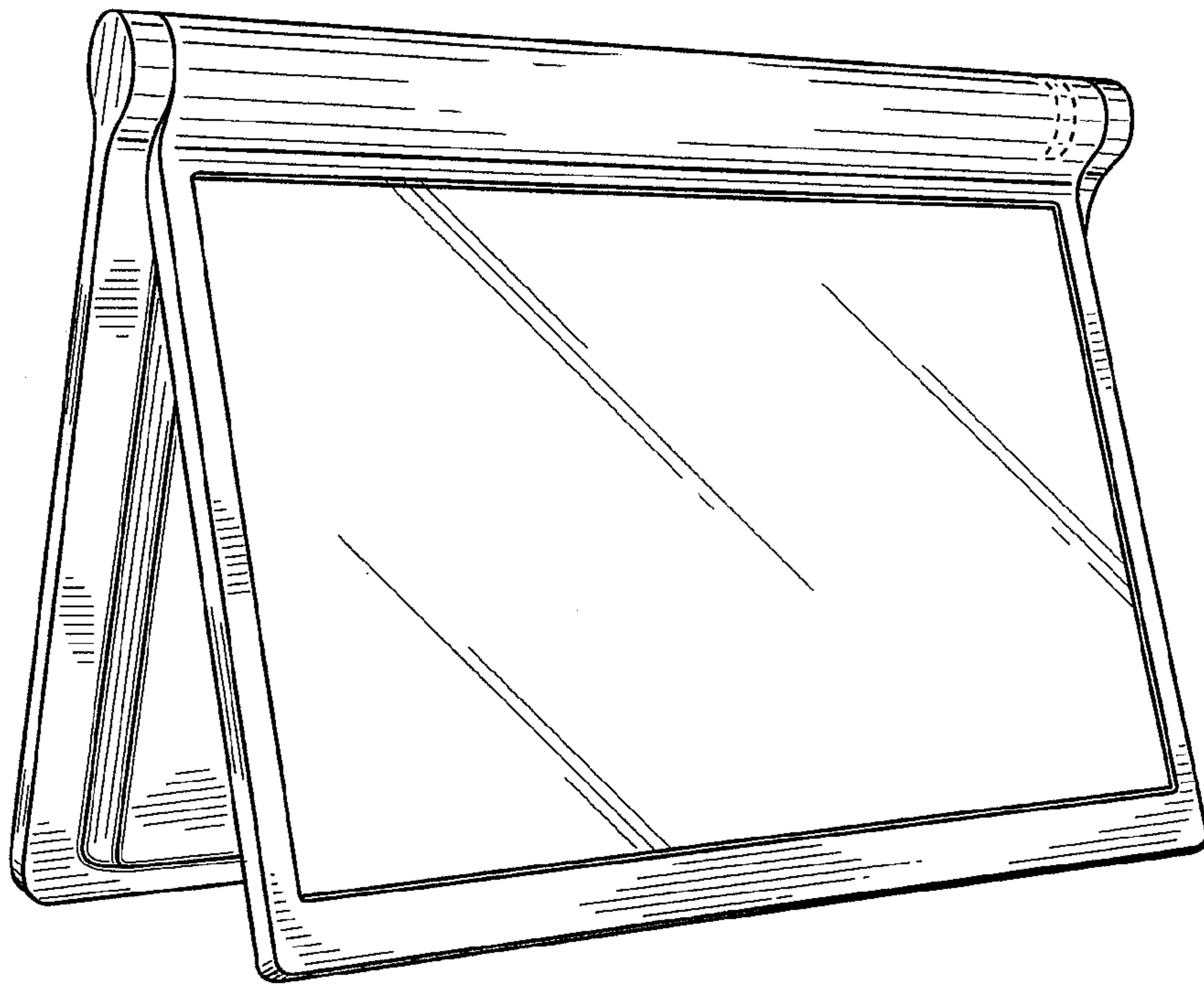


FIG. 1

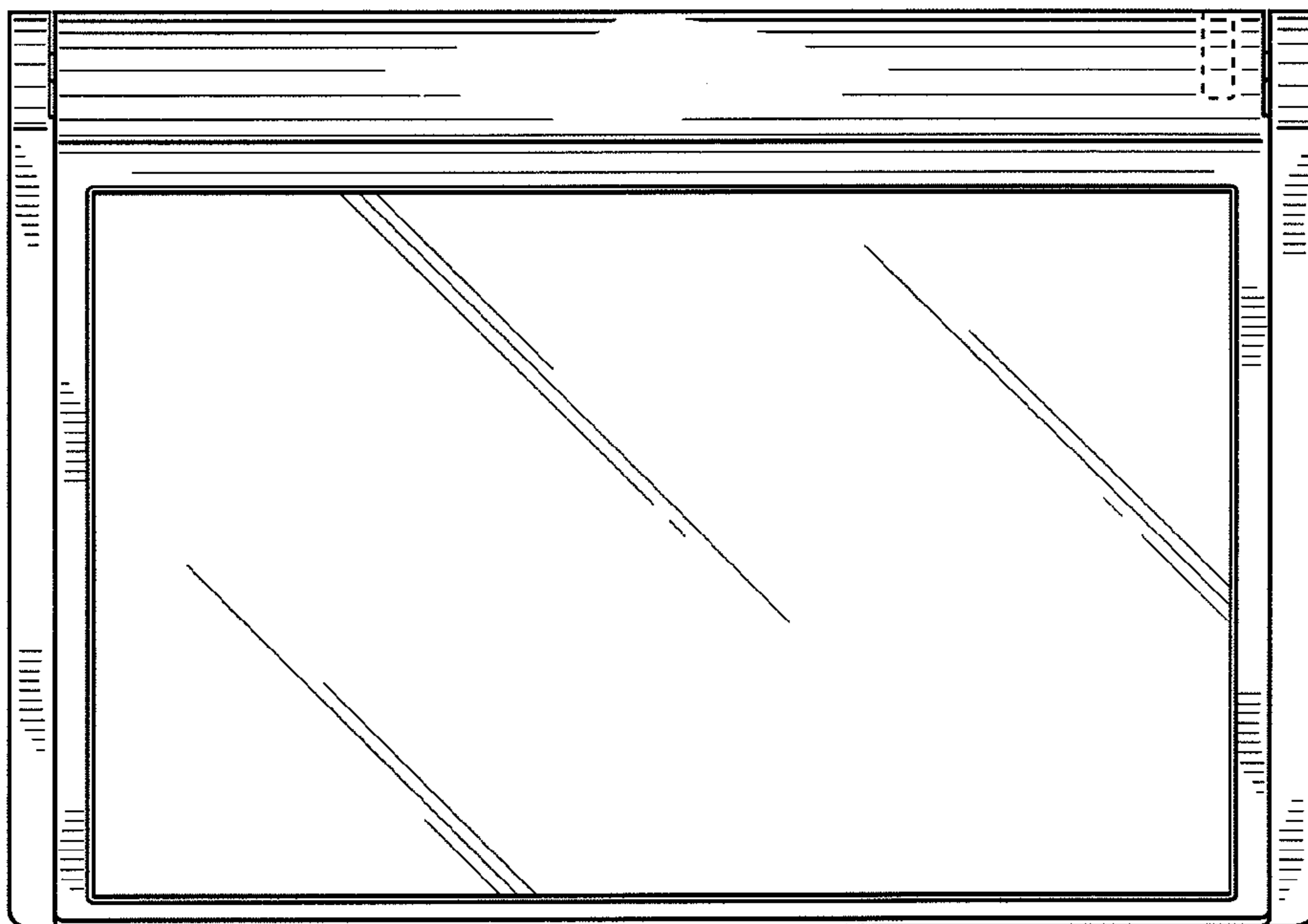


FIG. 2

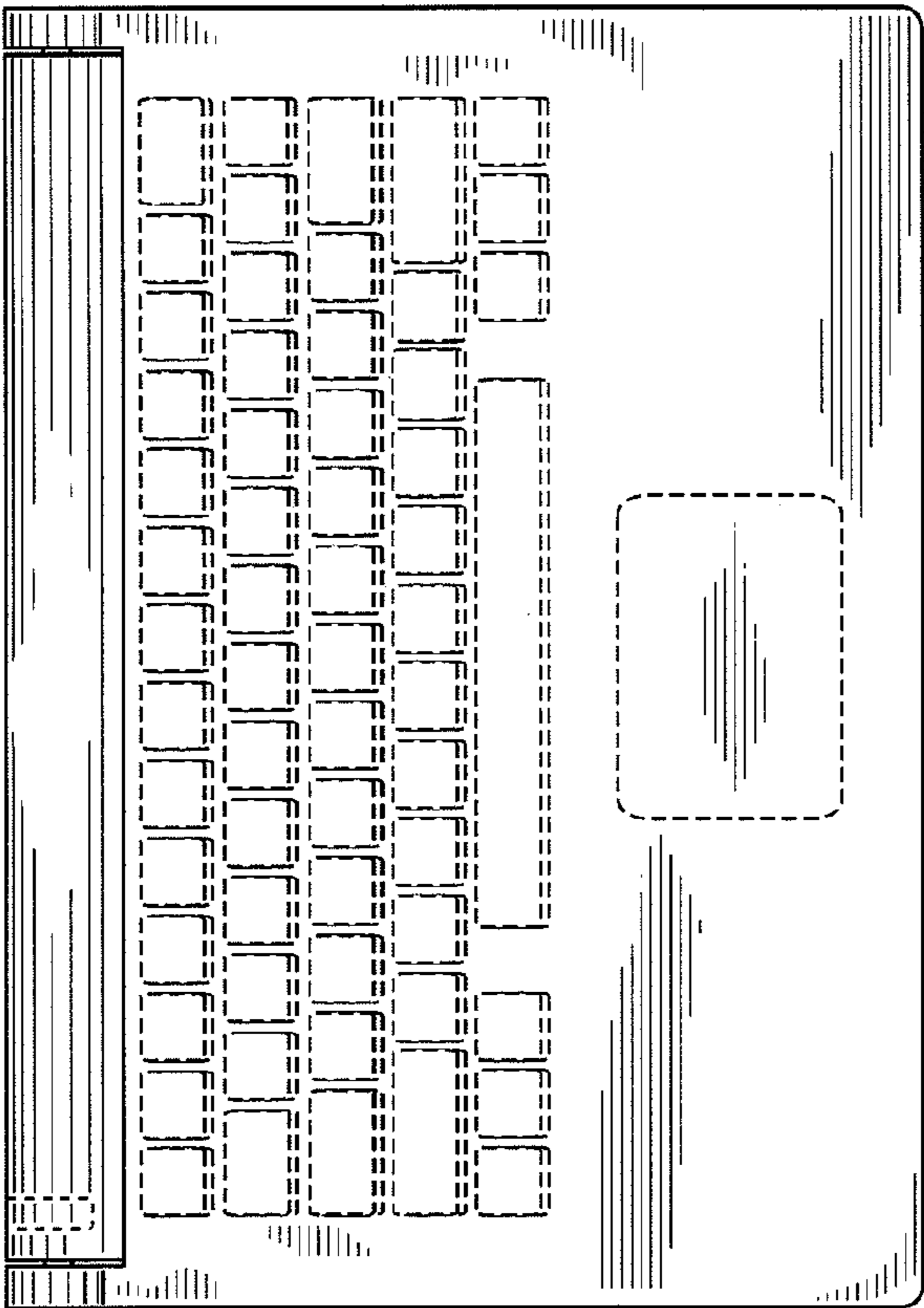


FIG. 4

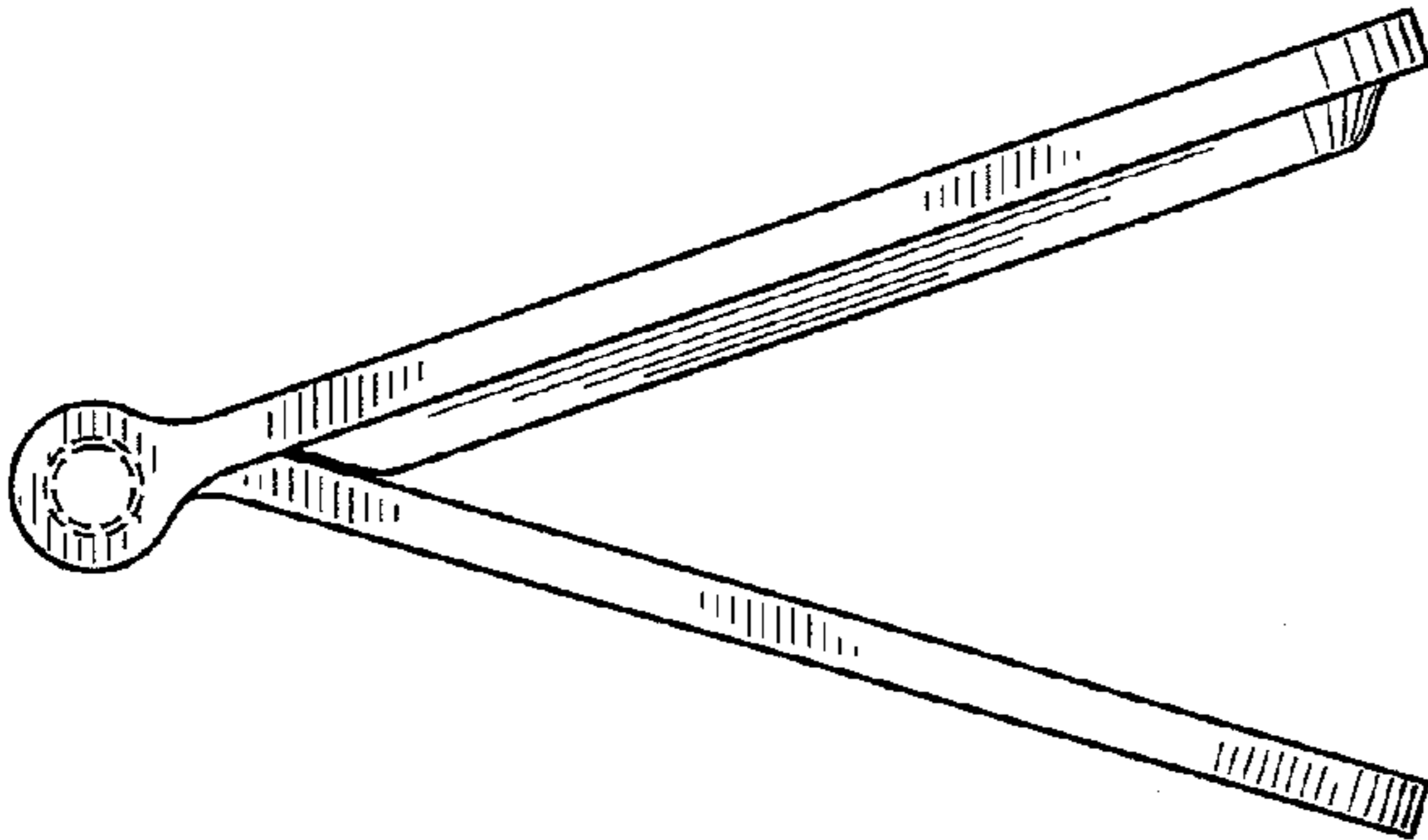


FIG. 3

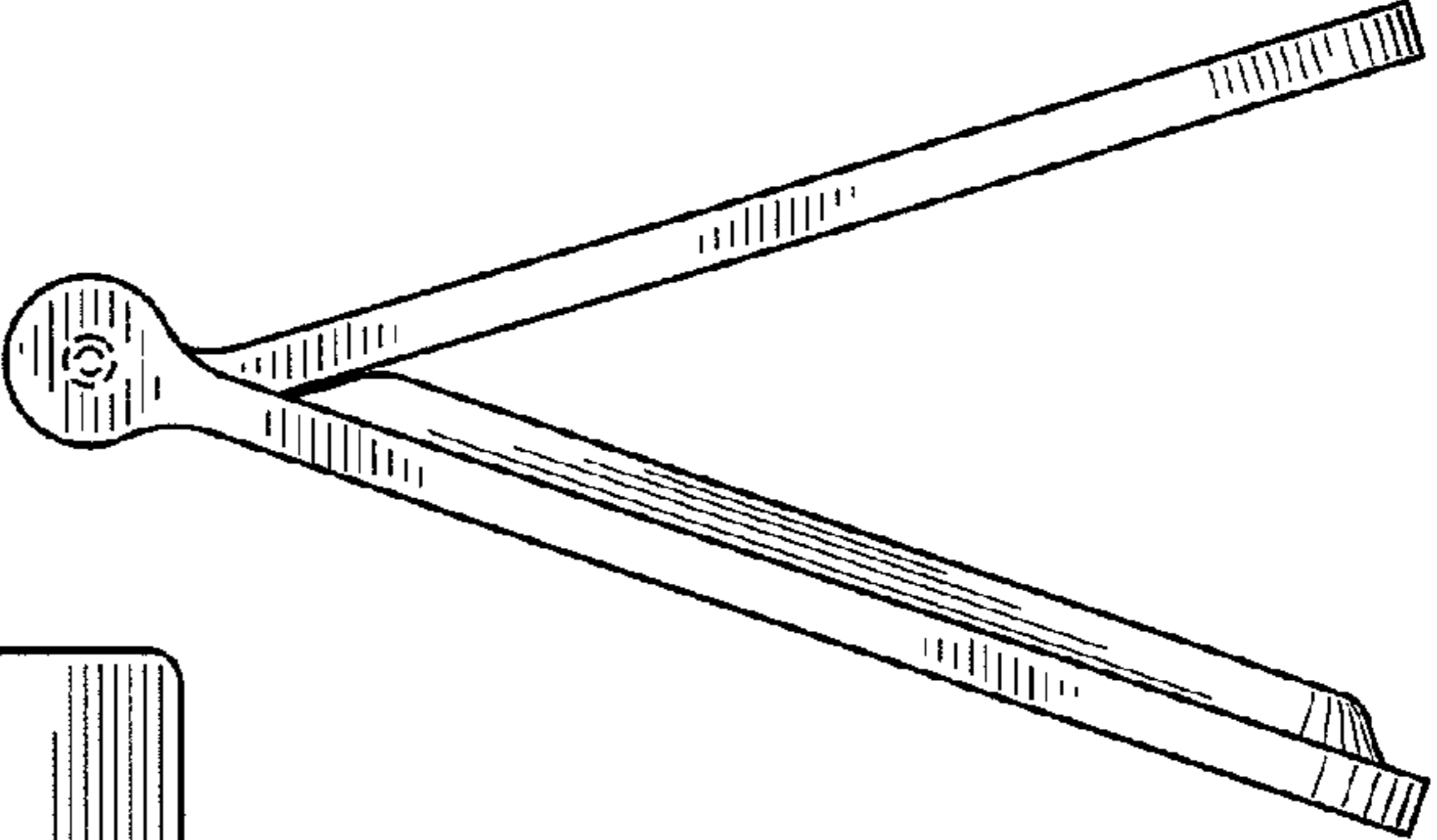


FIG. 5

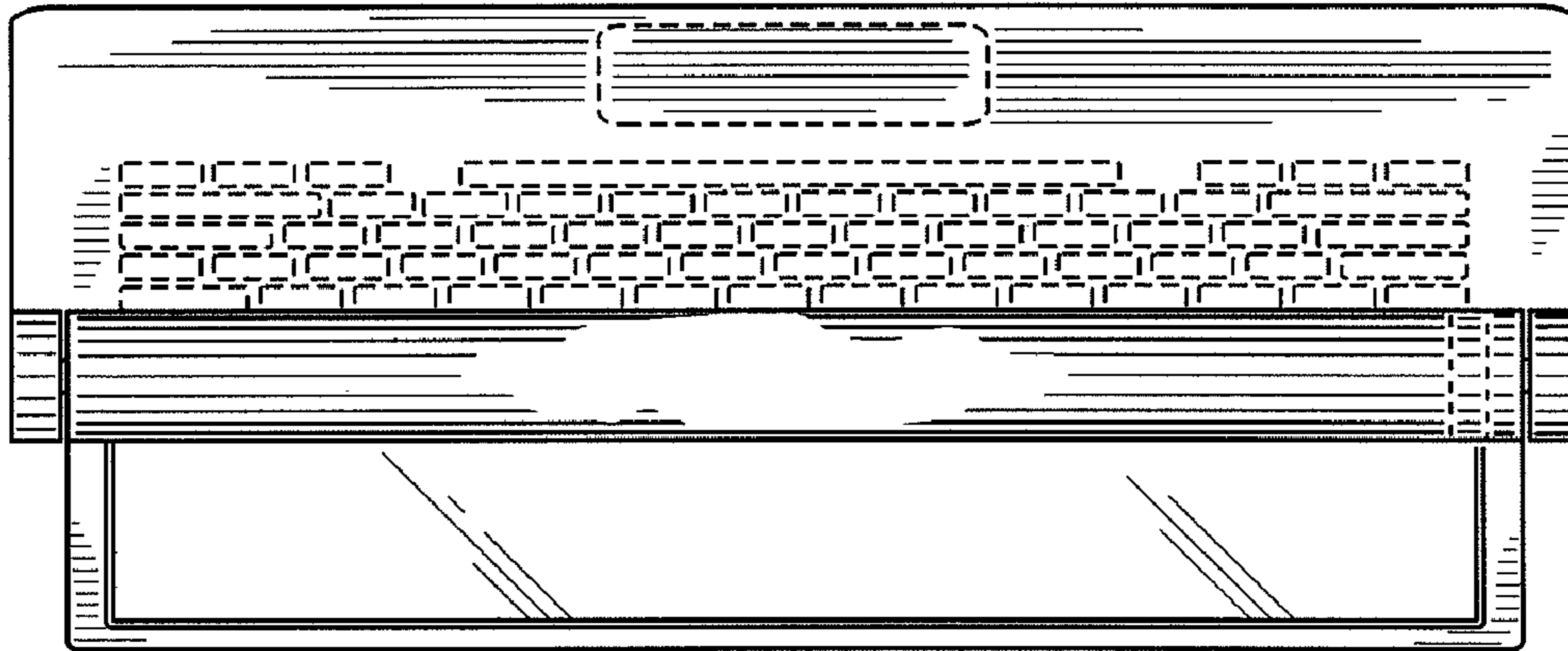


FIG. 6

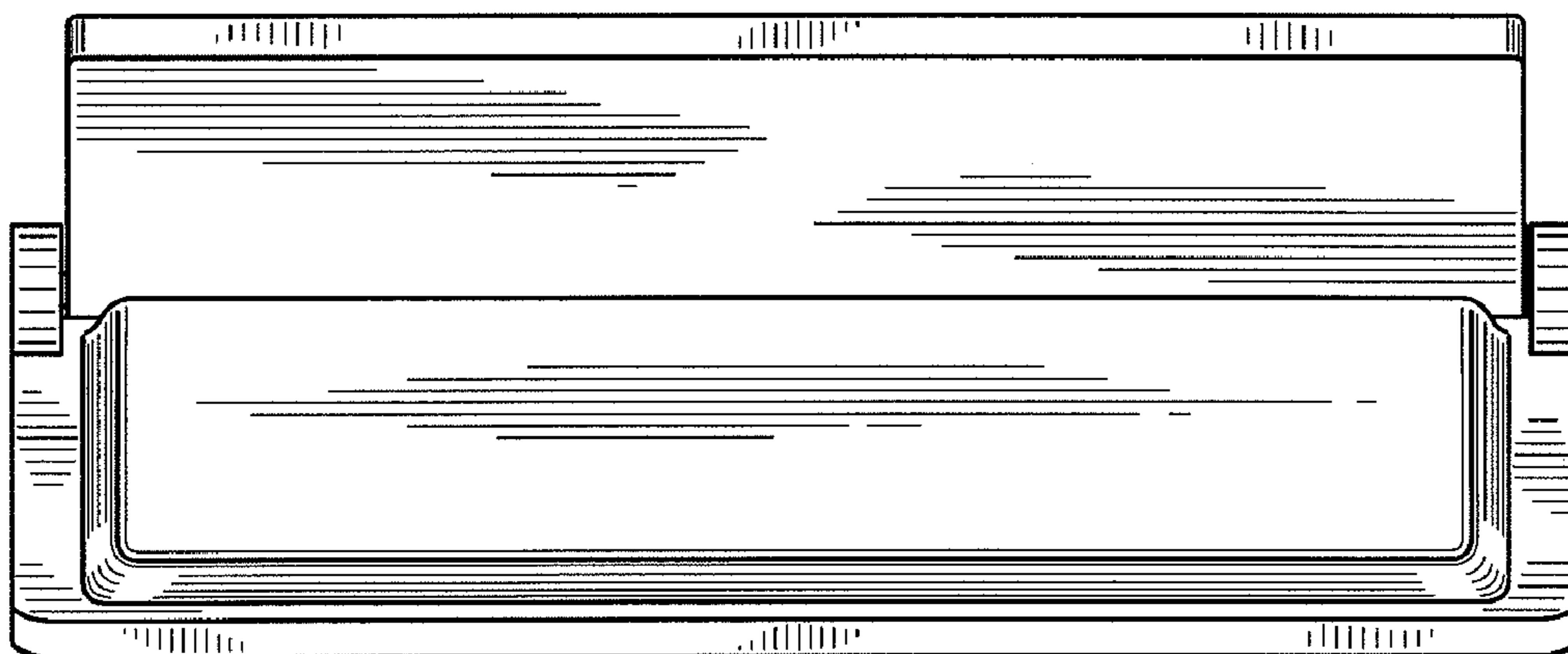


FIG. 7