



US00D593090S

(12) **United States Design Patent**
Ougiya et al.

(10) **Patent No.:** **US D593,090 S**

(45) **Date of Patent:** **** May 26, 2009**

(54) **DISPLAY**

(75) Inventors: **Kouji Ougiya**, Tokyo (JP); **Eric Ma**, Taipei (TW)

(73) Assignee: **NEC Display Solutions, Ltd.**, Tokyo (JP)

(**) Term: **14 Years**

(21) Appl. No.: **29/317,453**

(22) Filed: **Apr. 30, 2008**

(30) **Foreign Application Priority Data**

Oct. 31, 2007 (JP) 2007-030012

(51) **LOC (9) Cl.** **14-02**

(52) **U.S. Cl.** **D14/371**

(58) **Field of Classification Search** D14/371-375,
D14/125-129, 341, 315, 318, 331, 322; 341/12;
345/104, 156, 168, 173, 87, 901-905; 348/180,
348/184, 373, 739; 349/1, 2, 58, 62; 248/917-924;
313/479; 40/455

See application file for complete search history.

(56) **References Cited**

U.S. PATENT DOCUMENTS

D424,068 S * 5/2000 Takemasa D14/374

D469,090 S *	1/2003	Tsuji	D14/374
D486,825 S *	2/2004	Shiota et al.	D14/374
D497,362 S *	10/2004	Wang et al.	D14/371
D519,117 S *	4/2006	Lewis	D14/374
D538,800 S *	3/2007	Zhang et al.	D14/331
D546,824 S *	7/2007	Jackson, Jr.	D14/341
7,298,076 B2 *	11/2007	Ozolins et al.	313/479
2002/0184802 A1 *	12/2002	Gravitt et al.	40/455

* cited by examiner

Primary Examiner—Freda S Nunn

(74) *Attorney, Agent, or Firm*—Sughrue Mion, PLLC

(57) **CLAIM**

The ornamental design for a display, as shown.

DESCRIPTION

FIG. 1 is a front, right side, top perspective view of a display showing our new design;

FIG. 2 is a front elevational view thereof;

FIG. 3 is a rear elevational view thereof;

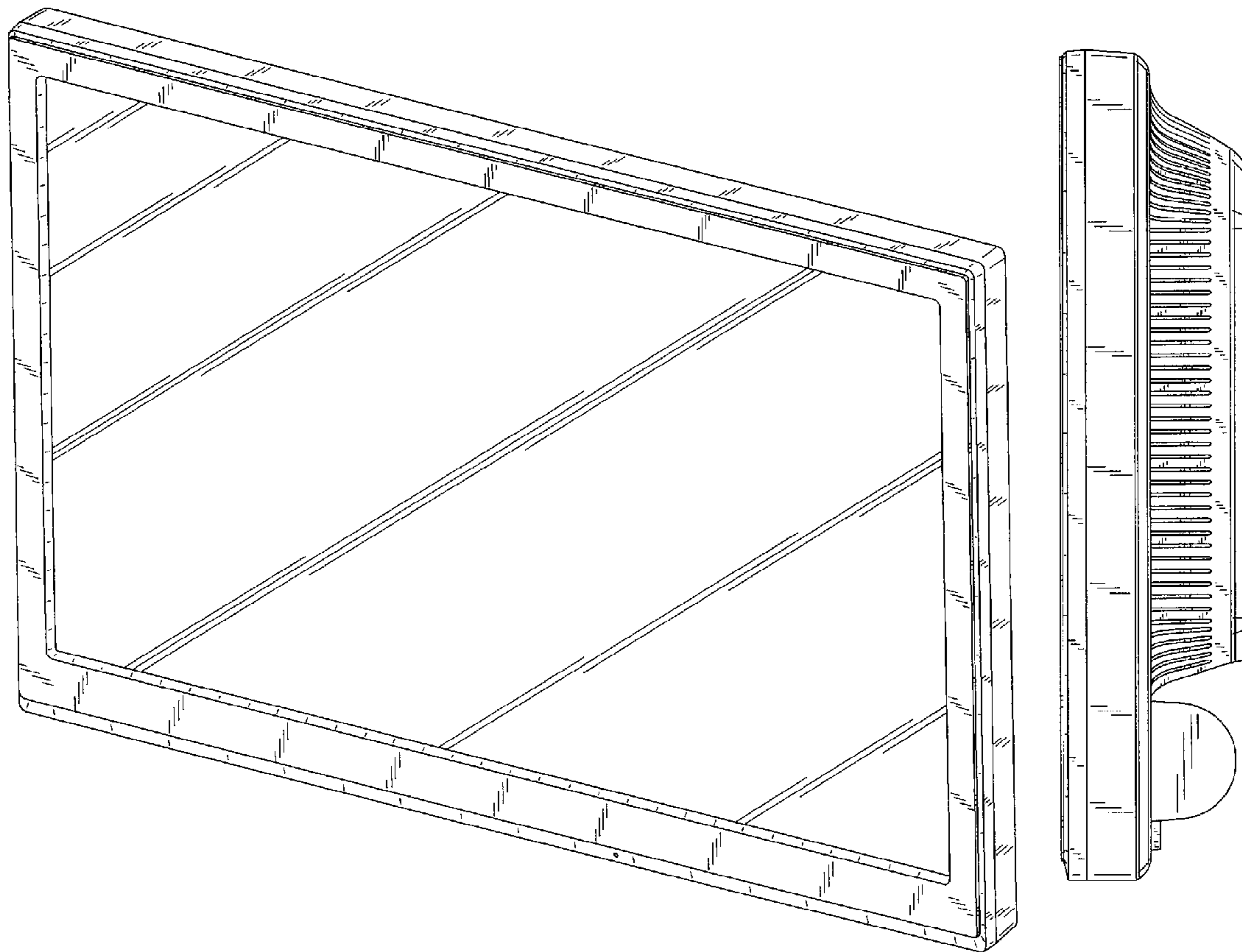
FIG. 4 is a left side view thereof;

FIG. 5 is a right side view thereof;

FIG. 6 is a top plan view thereof; and,

FIG. 7 is a bottom plan view thereof.

1 Claim, 6 Drawing Sheets



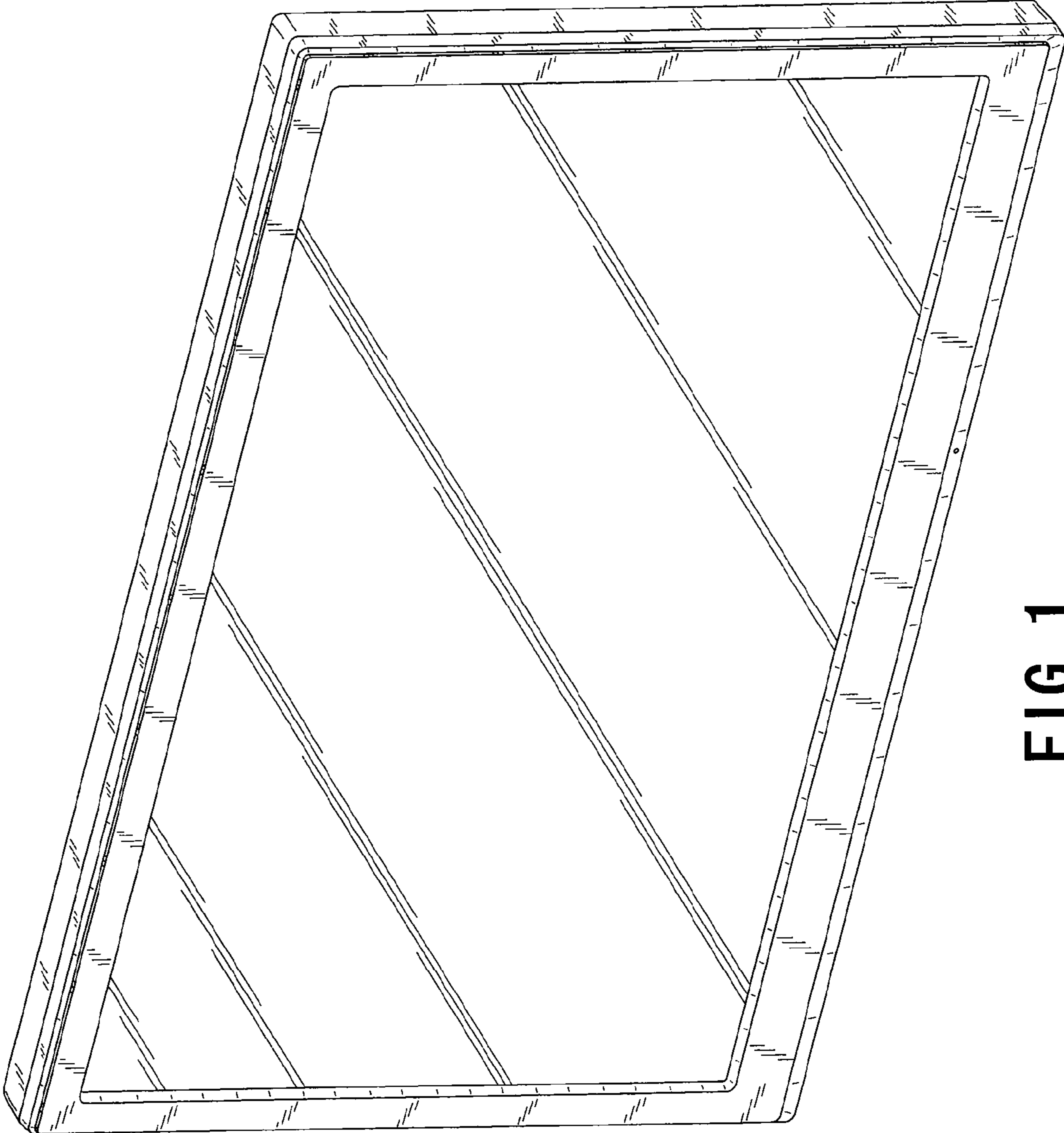


FIG. 1

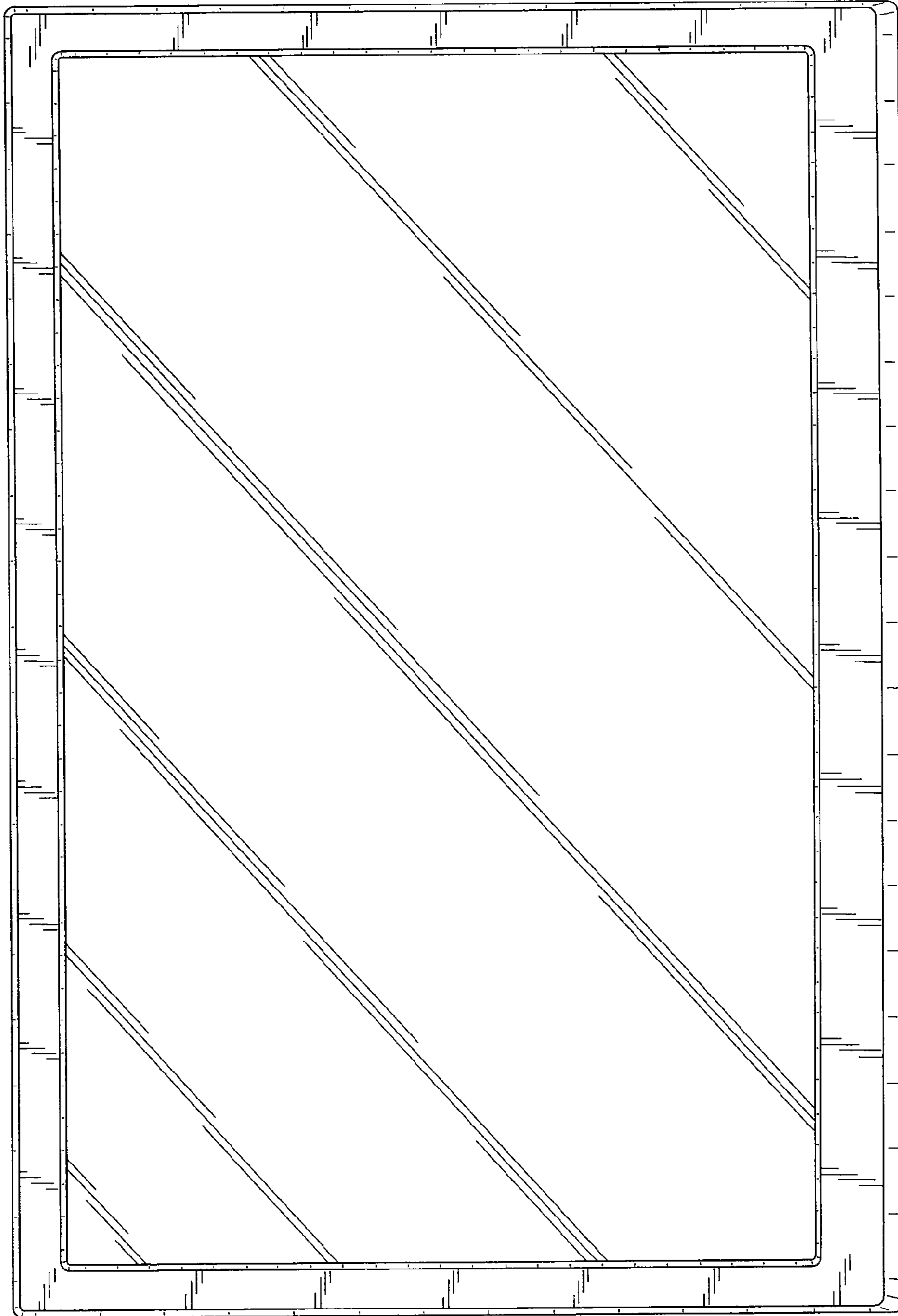


FIG. 2

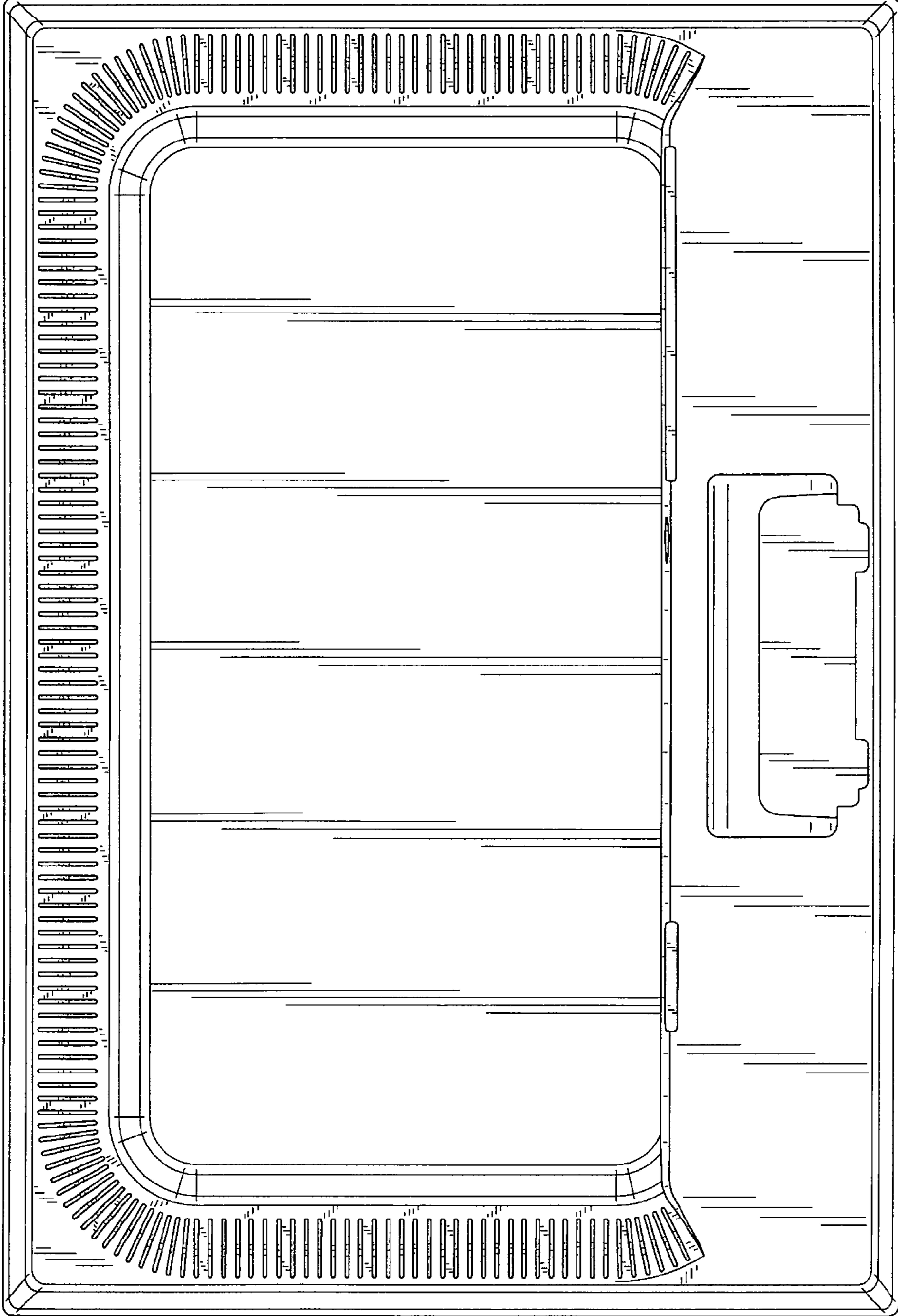


FIG. 3

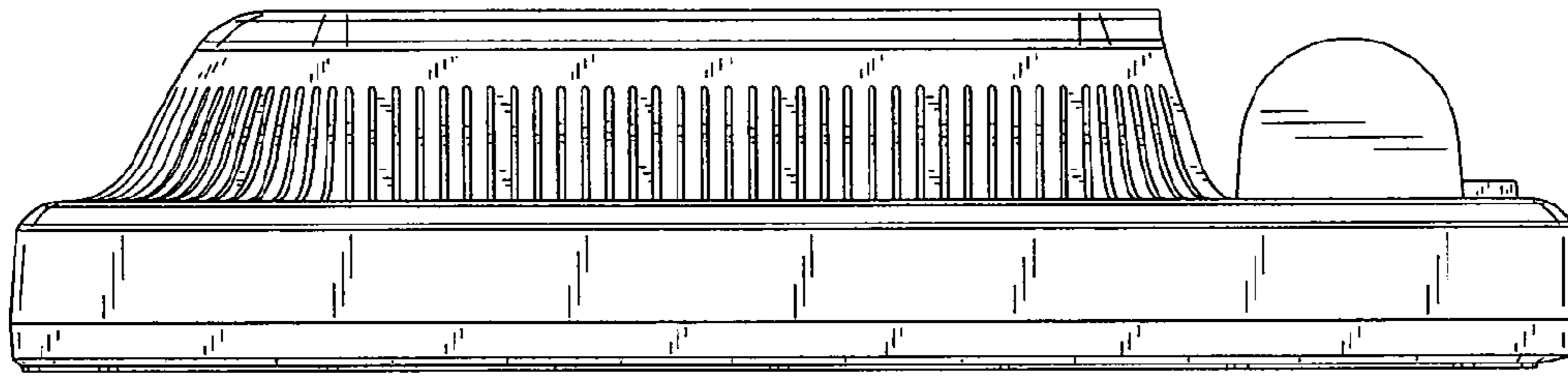


FIG. 5

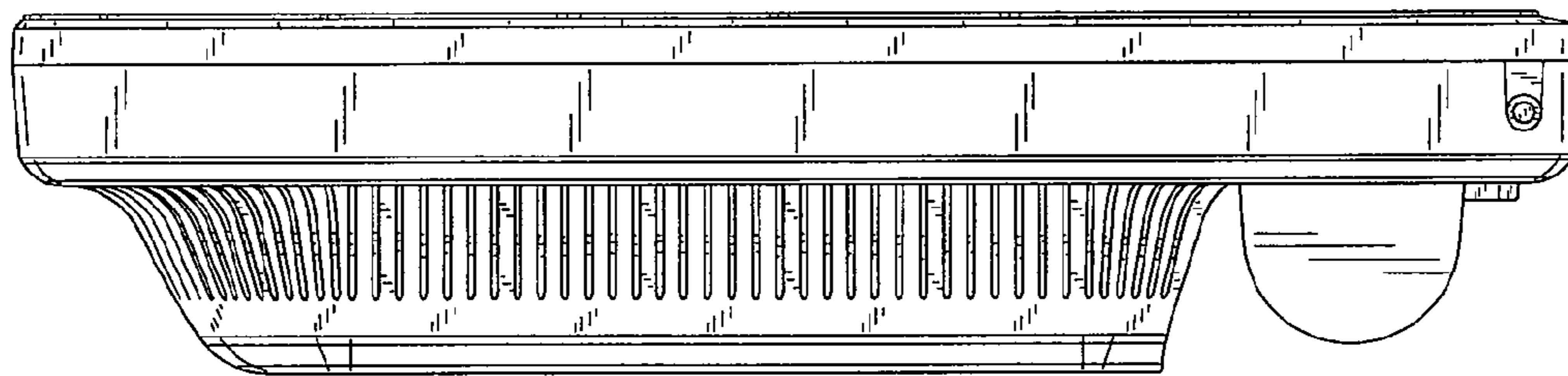


FIG. 4

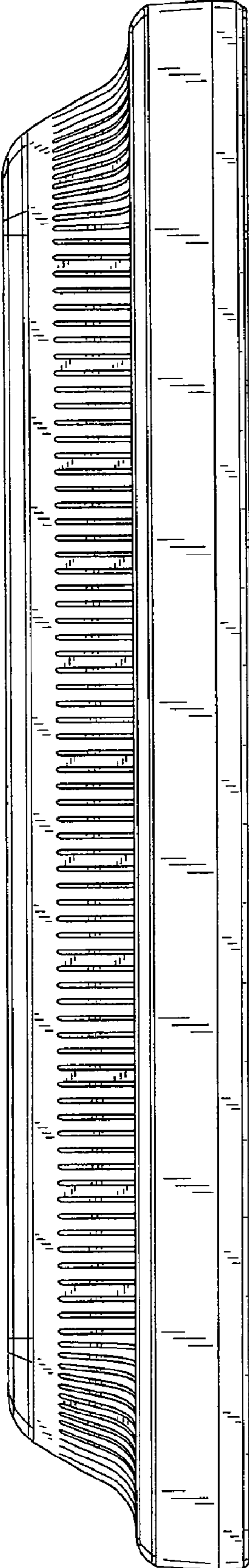


FIG. 6

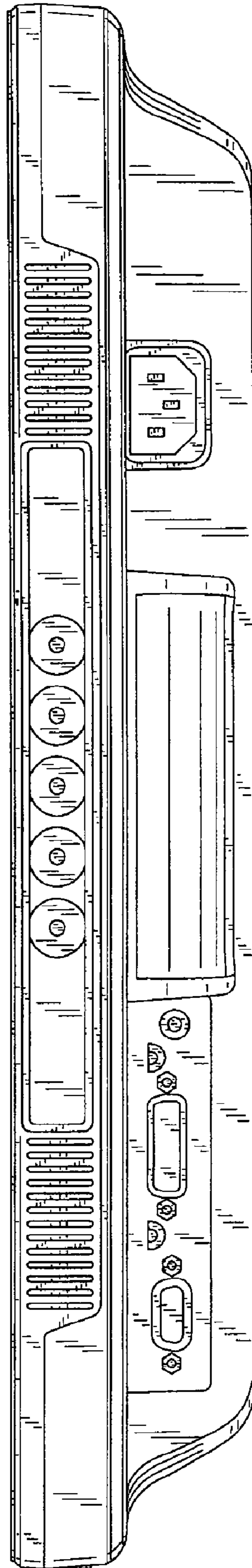


FIG. 7