



US00D593089S

(12) **United States Design Patent**  
**Sun et al.**

(10) **Patent No.:** **US D593,089 S**

(45) **Date of Patent:** **\*\* May 26, 2009**

(54) **INFORMATION HANDLING SYSTEM**

(75) Inventors: **Cecilia H. Sun**, Austin, TX (US); **Huy Phuong Nguyen**, Round Rock, TX (US)

(73) Assignee: **Dell Products L.P.**, Round Rock, TX (US)

(\*\*) Term: **14 Years**

(21) Appl. No.: **29/305,305**

(22) Filed: **Mar. 18, 2008**

(51) **LOC (9) Cl.** ..... **14-02**

(52) **U.S. Cl.** ..... **D14/349**

(58) **Field of Classification Search** ..... D14/349–356,  
D14/300, 301, 308, 388; D13/162, 184,  
D13/199; 312/223.1–223.2; 360/99.01–99.12;  
369/34.01, 36.01; 361/680–686, 690–696;  
358/496

See application file for complete search history.

(56) **References Cited**

**U.S. PATENT DOCUMENTS**

5,248,193	A *	9/1993	Schlemmer	.....	312/223.2
D345,964	S *	4/1994	Hultgren et al.	.....	D14/313
D379,623	S *	6/1997	Wu	.....	D14/352
D380,743	S *	7/1997	Avalos et al.	.....	D14/350
5,790,278	A *	8/1998	Ehrne et al.	.....	358/496
D427,162	S *	6/2000	Nagase	.....	D14/388
D432,125	S	10/2000	Masuda et al.		
6,278,606	B1 *	8/2001	Schmitt et al.	.....	361/683
6,297,952	B1 *	10/2001	Liu et al.	.....	361/685

6,549,398	B2 *	4/2003	Chen	.....	361/683
D478,077	S *	8/2003	Poole et al.	.....	D14/349
D545,306	S *	6/2007	Lauffer et al.	.....	D14/349
2003/0122457	A1 *	7/2003	Diaz et al.	.....	312/223.2
2005/0012436	A1 *	1/2005	Lai	.....	312/223.2

\* cited by examiner

*Primary Examiner*—Freda S. Nunn

(74) *Attorney, Agent, or Firm*—Hamilton & Terrile, LLP;  
Robert W. Holland

(57) **CLAIM**

The ornamental design for information handling system, as shown and described.

**DESCRIPTION**

FIG. 1 is a front perspective view of the information handling system comprising the present invention;

FIG. 2 is a front side view thereof;

FIG. 3 is a right side view thereof;

FIG. 4 is a left side view thereof;

FIG. 5 is a back side view thereof;

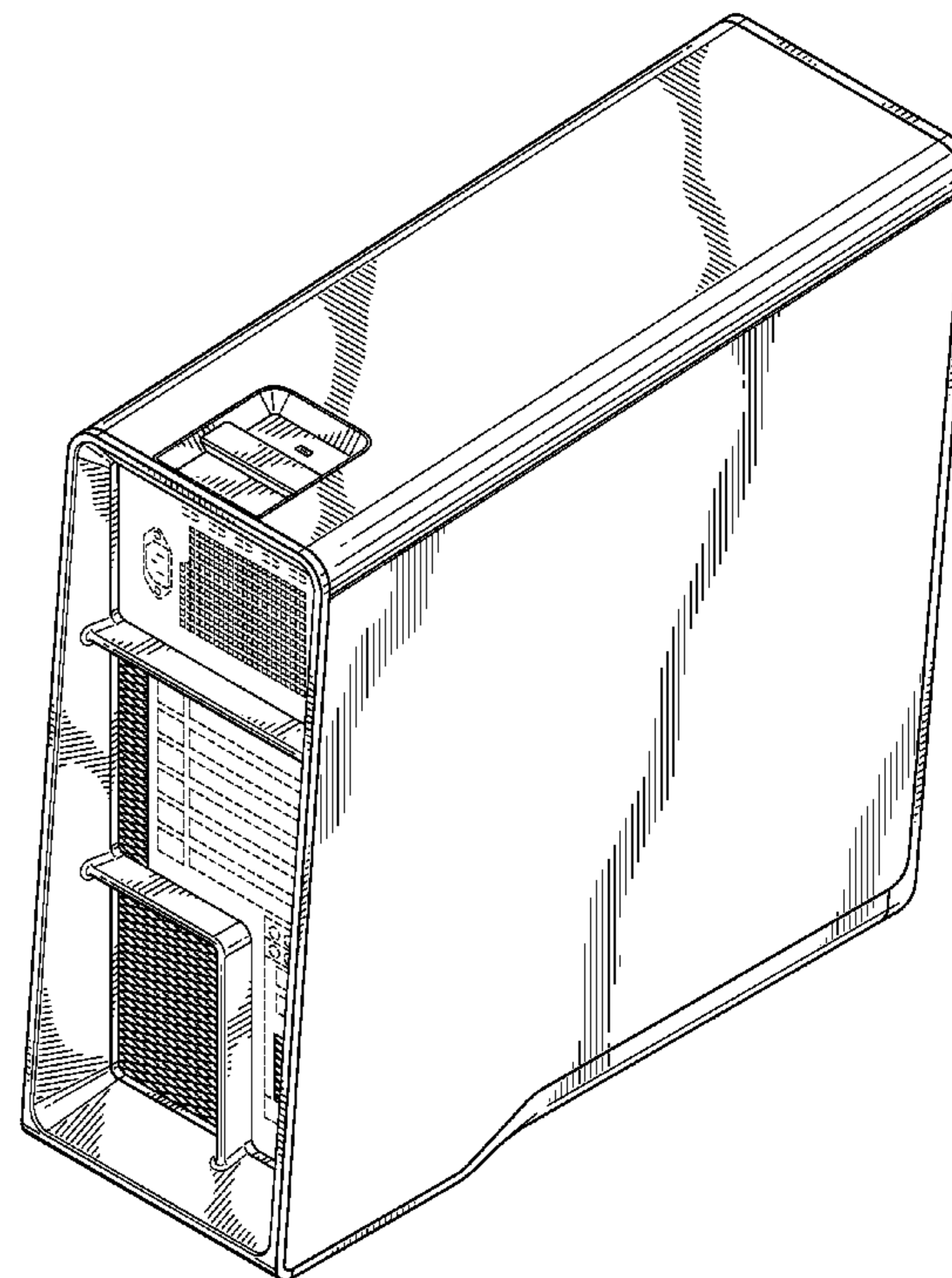
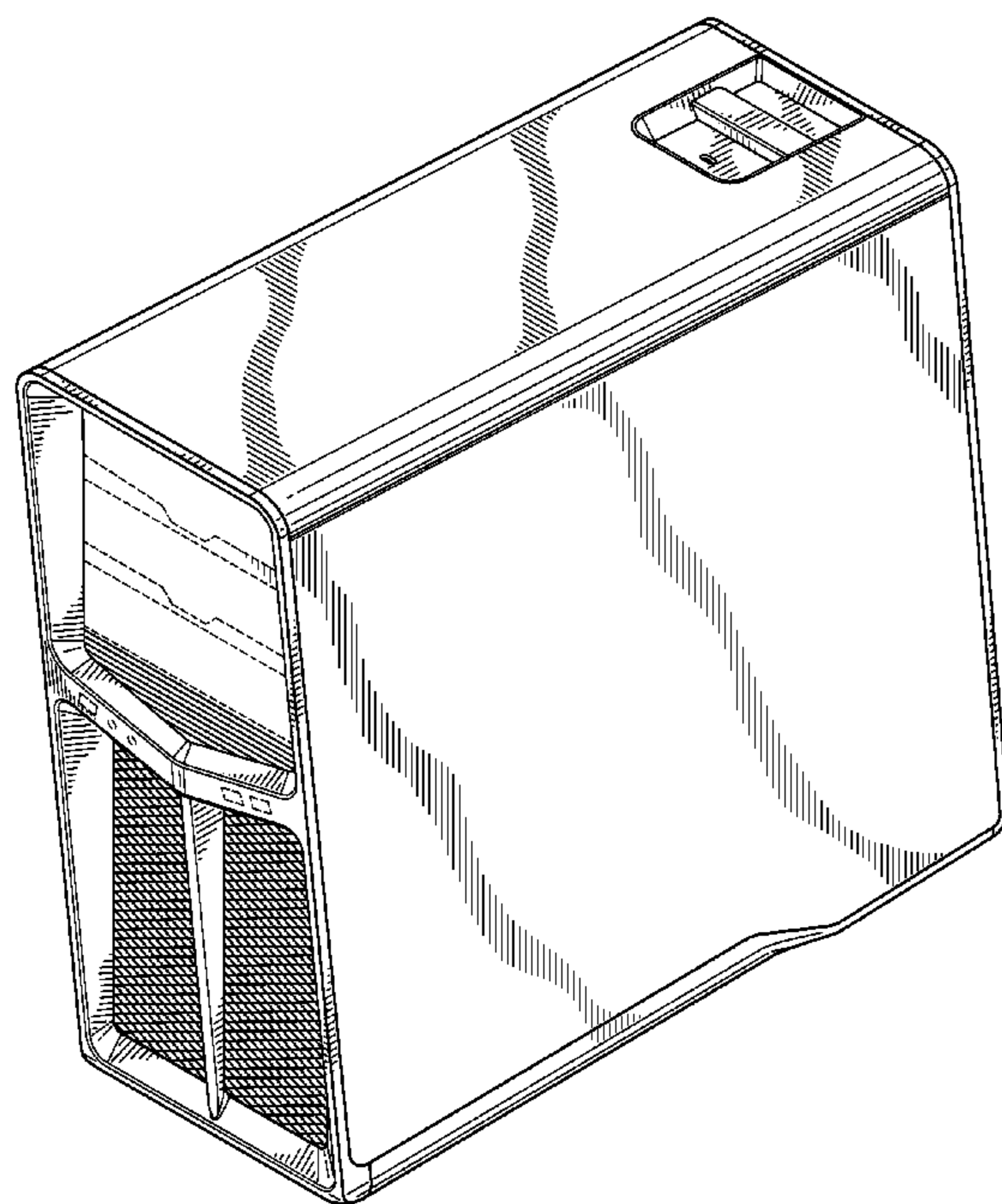
FIG. 6 is a top view thereof;

FIG. 7 is a bottom view thereof; and,

FIG. 8 is a rear perspective view thereof.

Broken lines shown in the drawings illustrate portions of the information handling system and form no part of the claimed design.

**1 Claim, 6 Drawing Sheets**



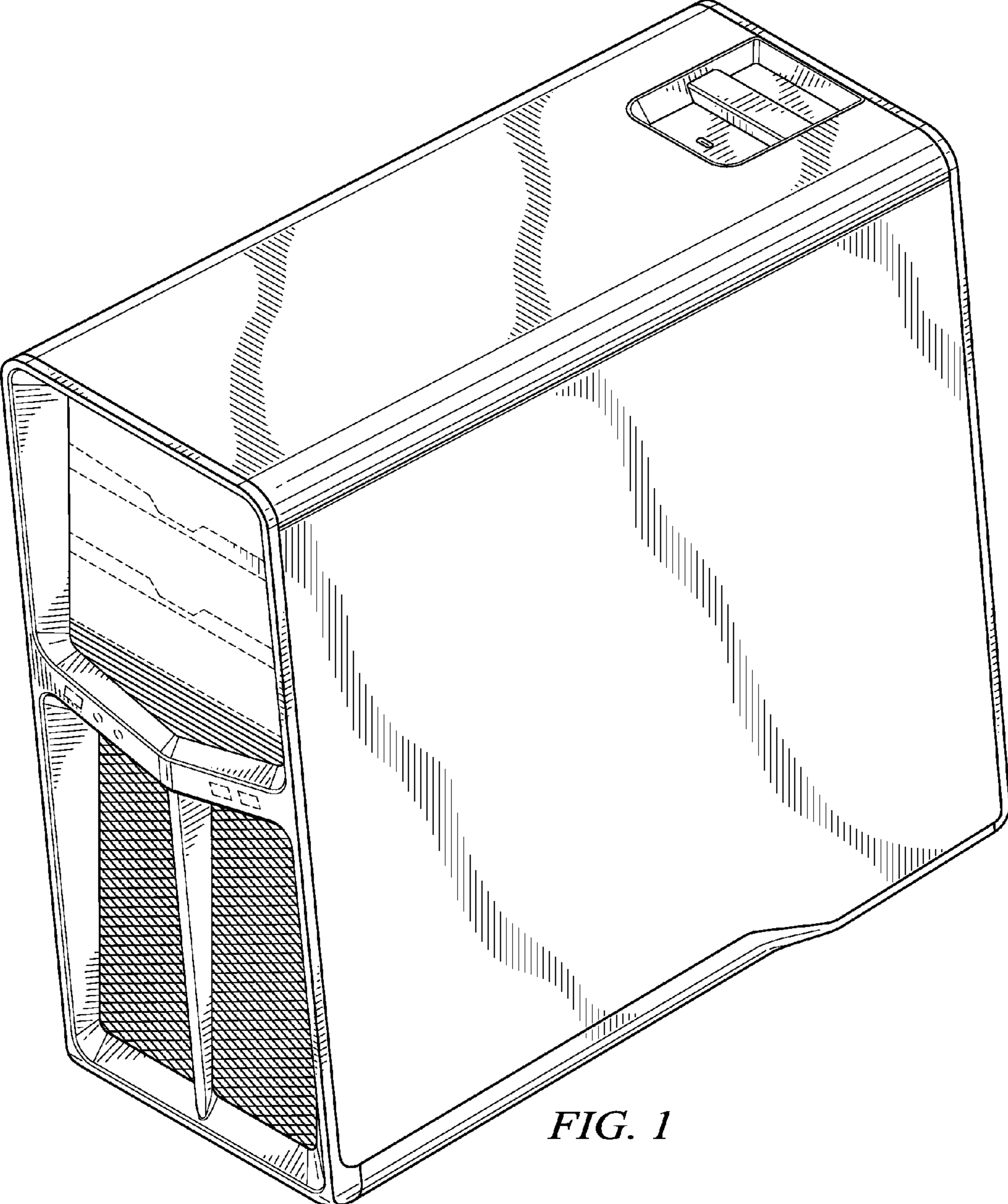


FIG. 1

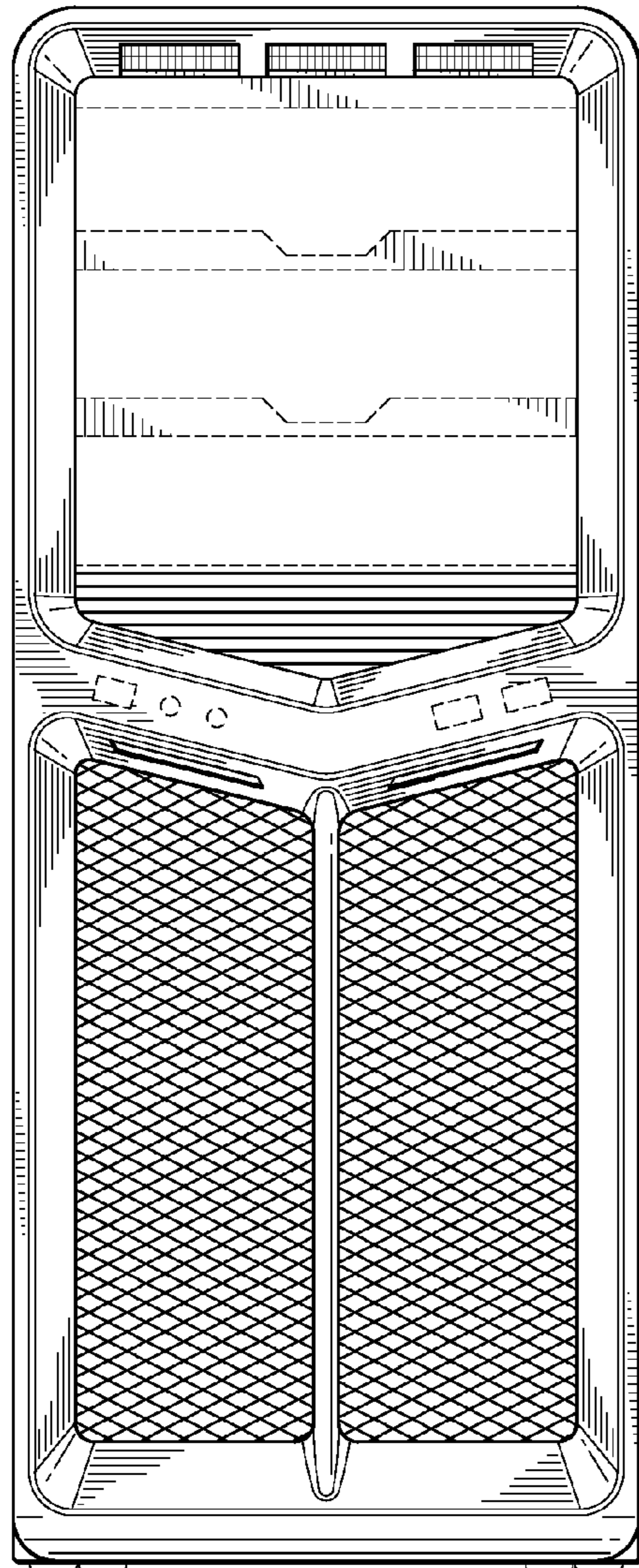


FIG. 2

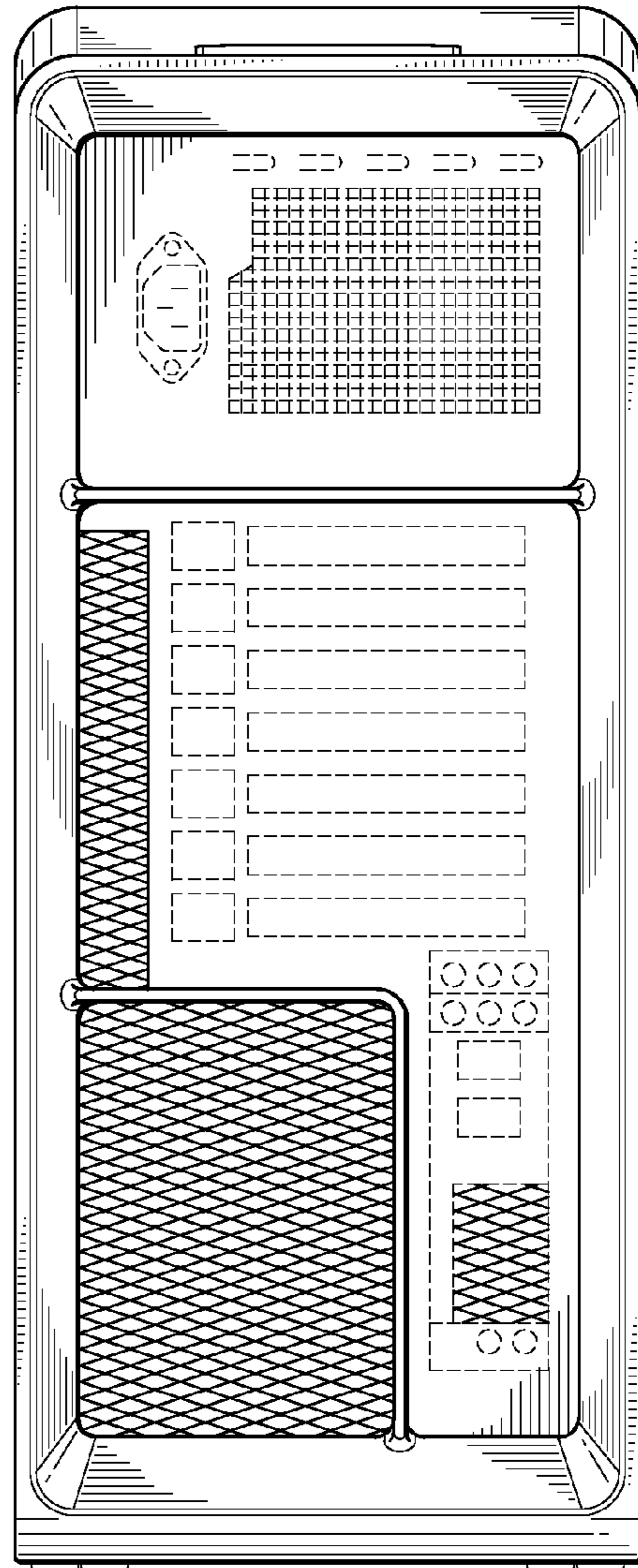


FIG. 5

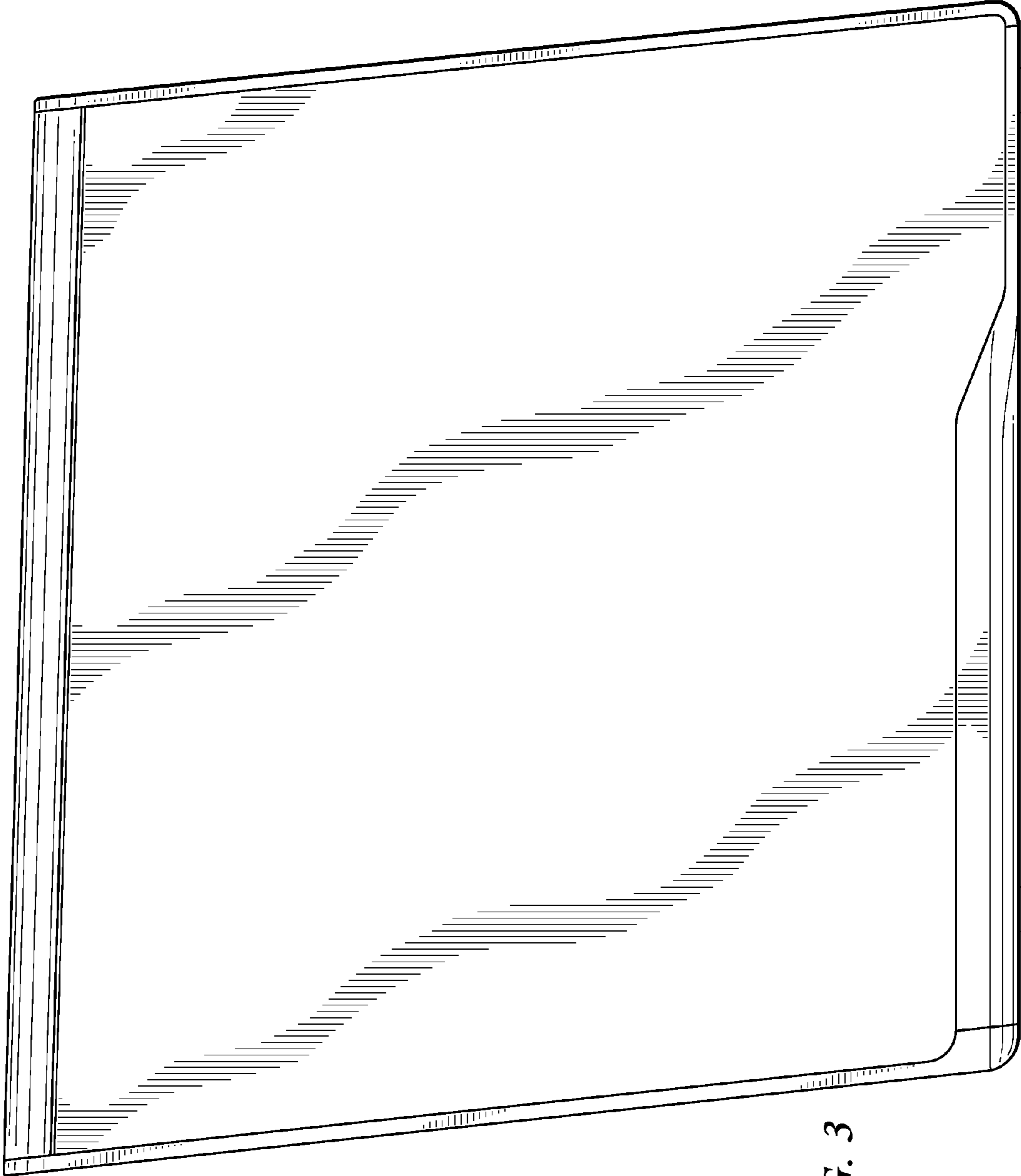
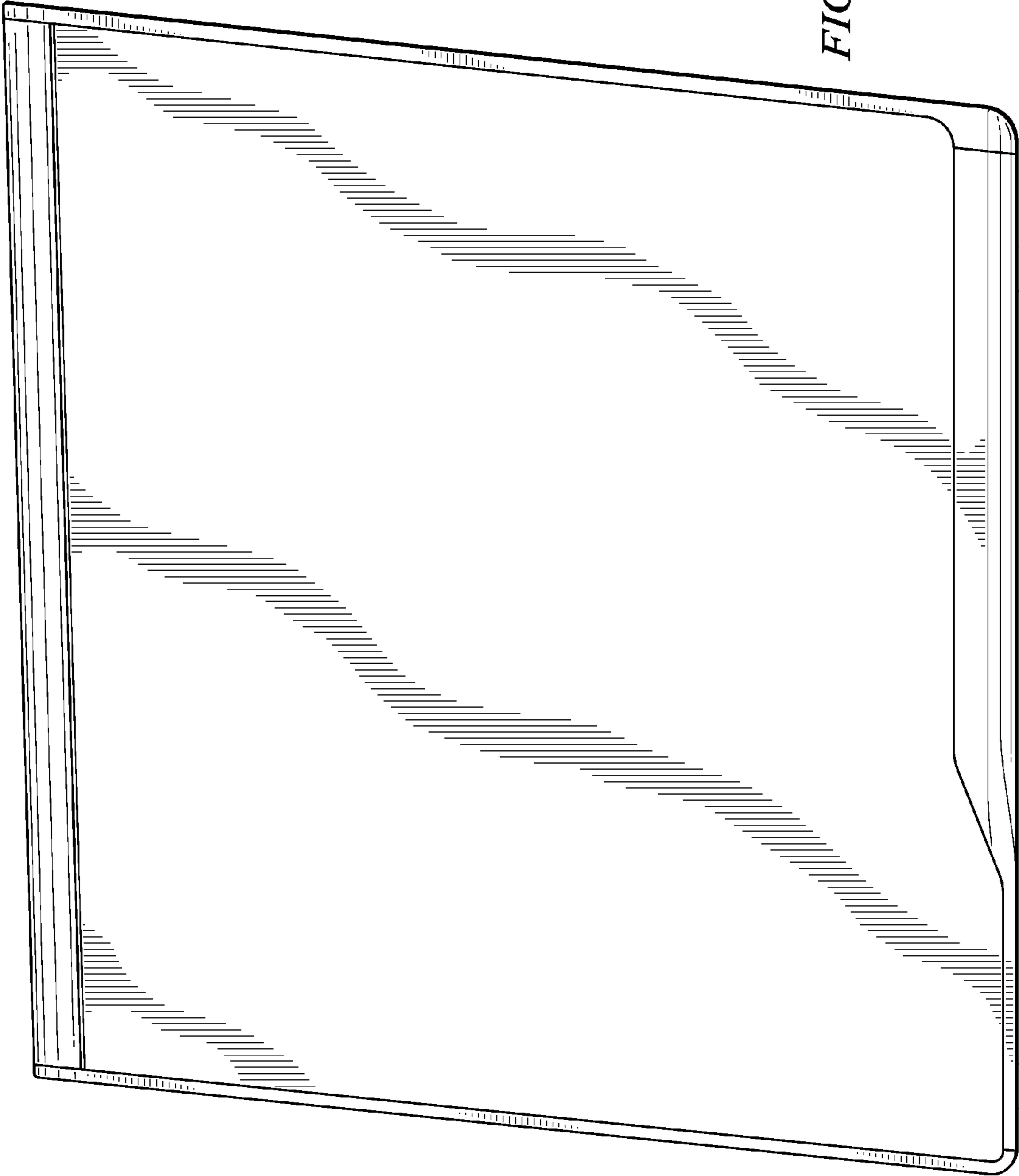


FIG. 3

FIG. 4



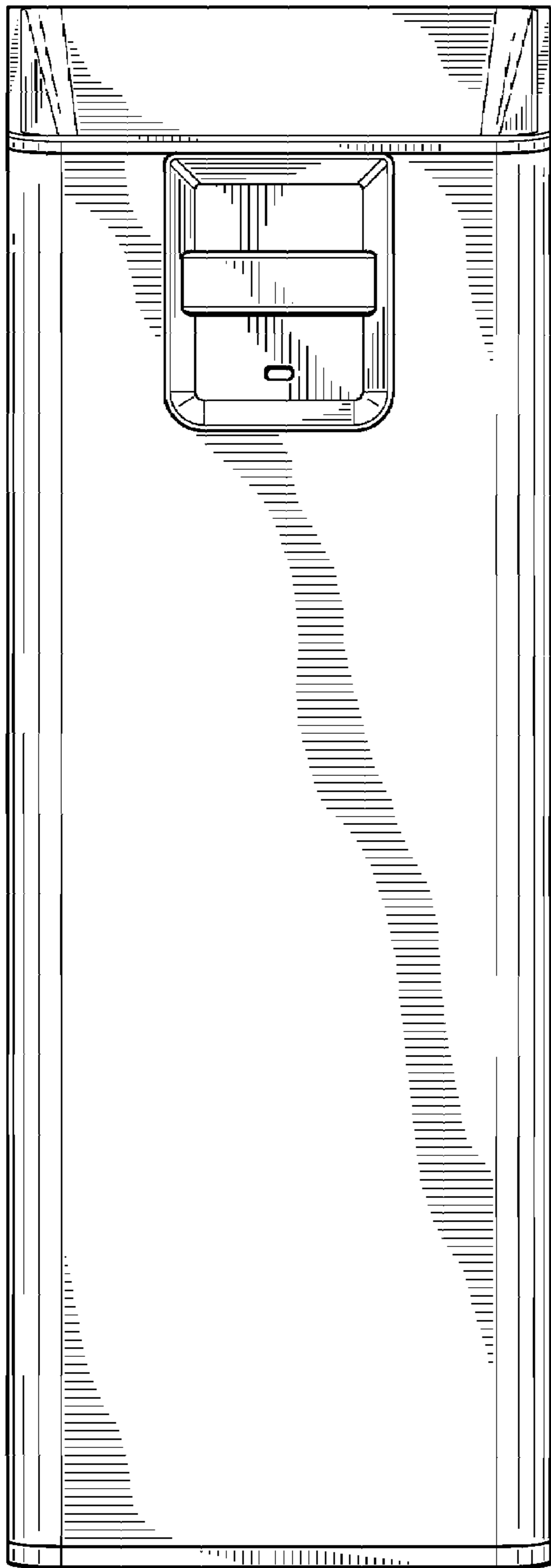


FIG. 6

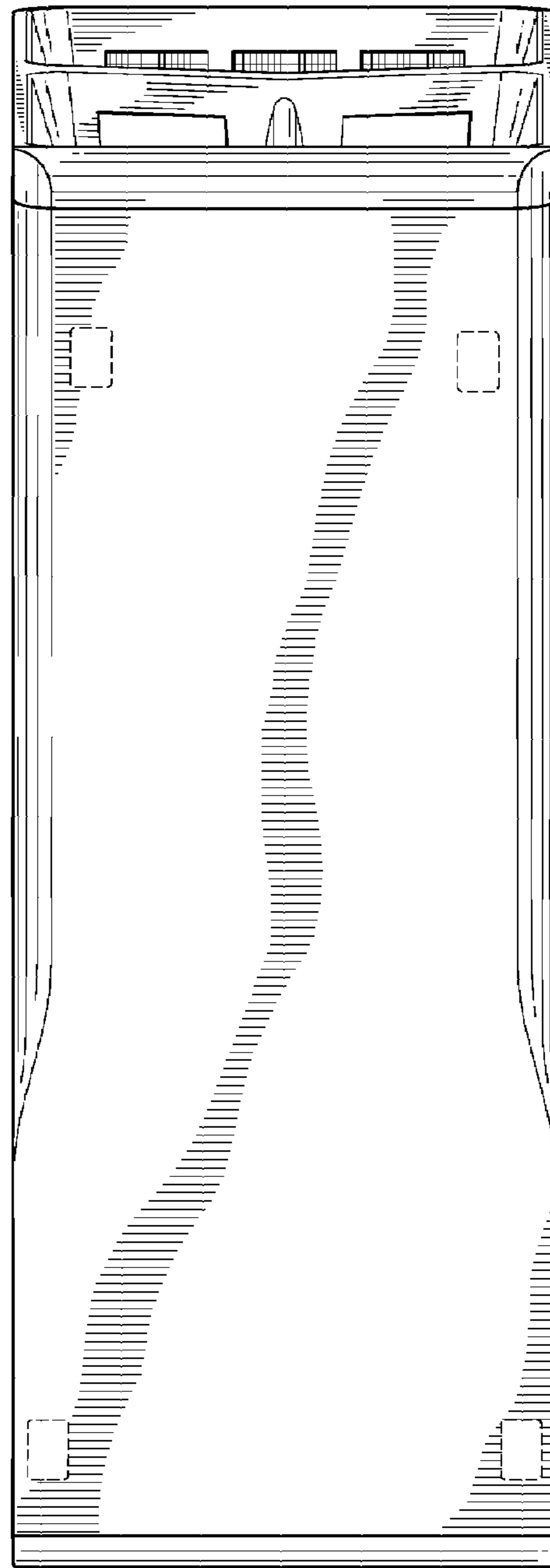


FIG. 7

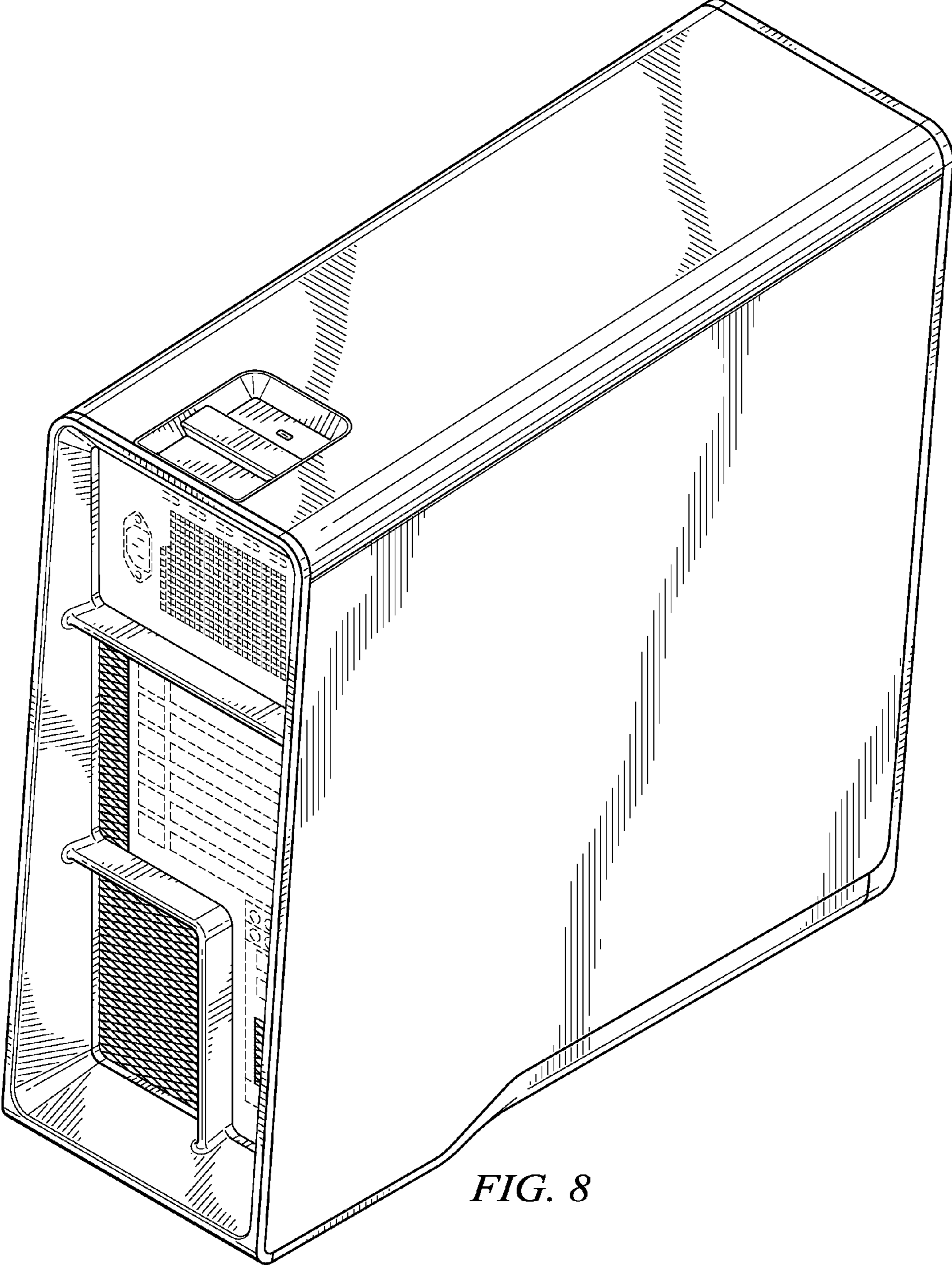


FIG. 8