



US00D593082S

(12) **United States Design Patent**  
**Jeon**

(10) **Patent No.:** **US D593,082 S**

(45) **Date of Patent:** **\*\* May 26, 2009**

(54) **HOME BASE STATION**

(75) Inventor: **So-Yoon Jeon**, Guri-si (KR)

(73) Assignee: **Samsung Electronics Co., Ltd.**,  
Suwon-Si (KR)

(\*\*) Term: **14 Years**

(21) Appl. No.: **29/290,664**

(22) Filed: **Dec. 31, 2007**

(51) **LOC (9) Cl.** ..... **14-02**

(52) **U.S. Cl.** ..... **D14/240; D14/356**

(58) **Field of Classification Search** ..... D14/356,  
D14/358, 233, 240, 242, 300, 348, 388, 433,  
D14/155; D13/184, 137.2, 107, 108, 144;  
360/69; 379/220.1, 220.14, 25, 93.09, 93.15,  
379/156, 900, 338, 329; 381/124; 607/36;  
307/10.1; 439/668

See application file for complete search history.

(56) **References Cited**

**U.S. PATENT DOCUMENTS**

D541,272 S \* 4/2007 Wang ..... D14/356  
D552,549 S \* 10/2007 Hsu ..... D13/133

D566,710 S \* 4/2008 Chun et al. .... D14/358  
D583,814 S \* 12/2008 Maiers et al. .... D14/356  
D584,306 S \* 1/2009 Maiers et al. .... D14/356  
D585,059 S \* 1/2009 Maiers et al. .... D14/356

\* cited by examiner

*Primary Examiner*—Charles A Rademaker

*Assistant Examiner*—Charles D Hanson

(74) *Attorney, Agent, or Firm*—Staas & Halsey LLP

(57) **CLAIM**

The ornamental design for a home base station, as shown and described.

**DESCRIPTION**

FIG. 1 is a front perspective view of a home base station according to my new design;

FIG. 2 is a front elevational view thereof;

FIG. 3 is a rear elevational view thereof;

FIG. 4 is a left side elevational view thereof;

FIG. 5 is a right side elevational view thereof;

FIG. 6 is a top plan view thereof; and,

FIG. 7 is a bottom plan view thereof.

**1 Claim, 5 Drawing Sheets**

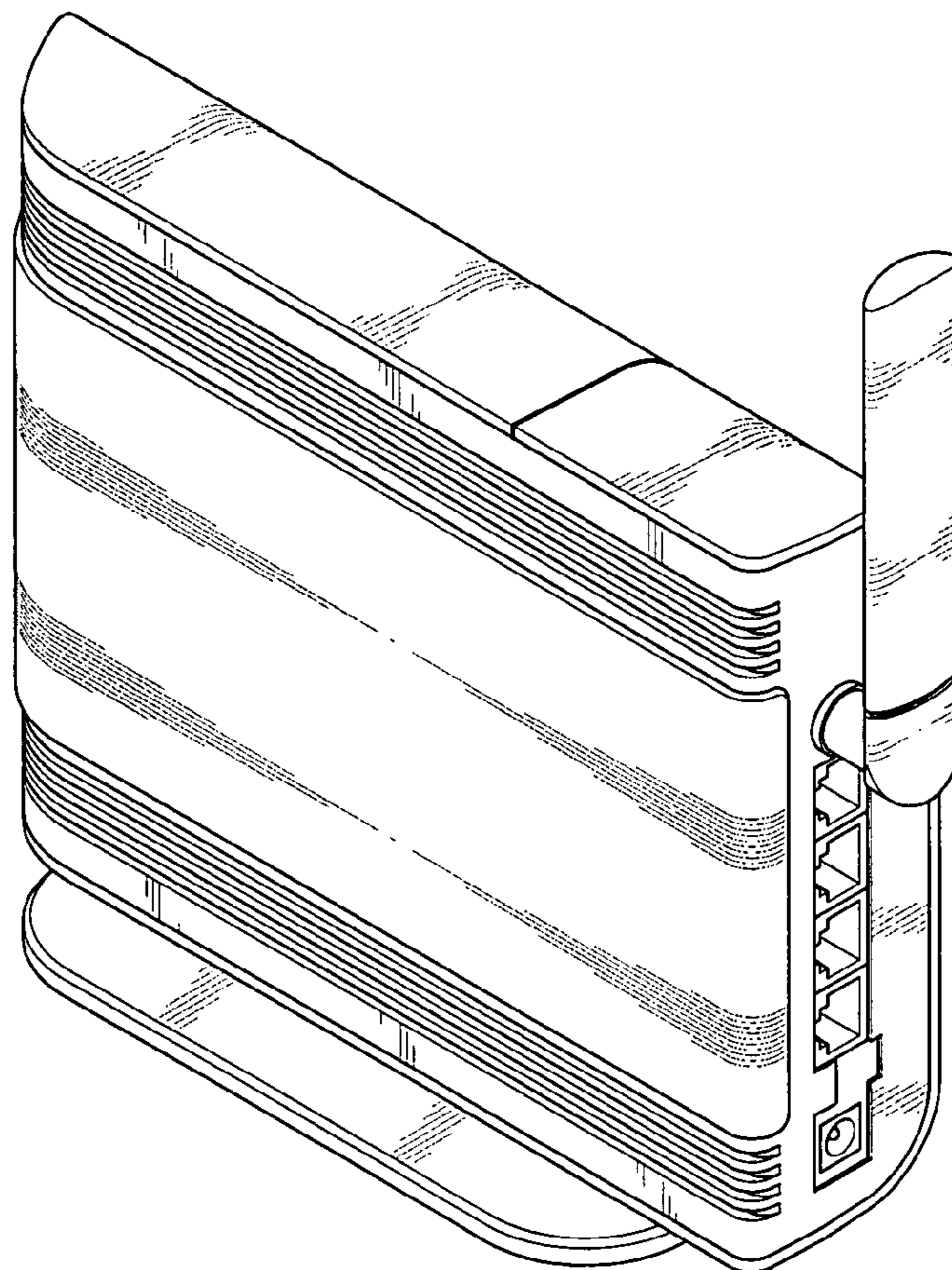


FIG. 1

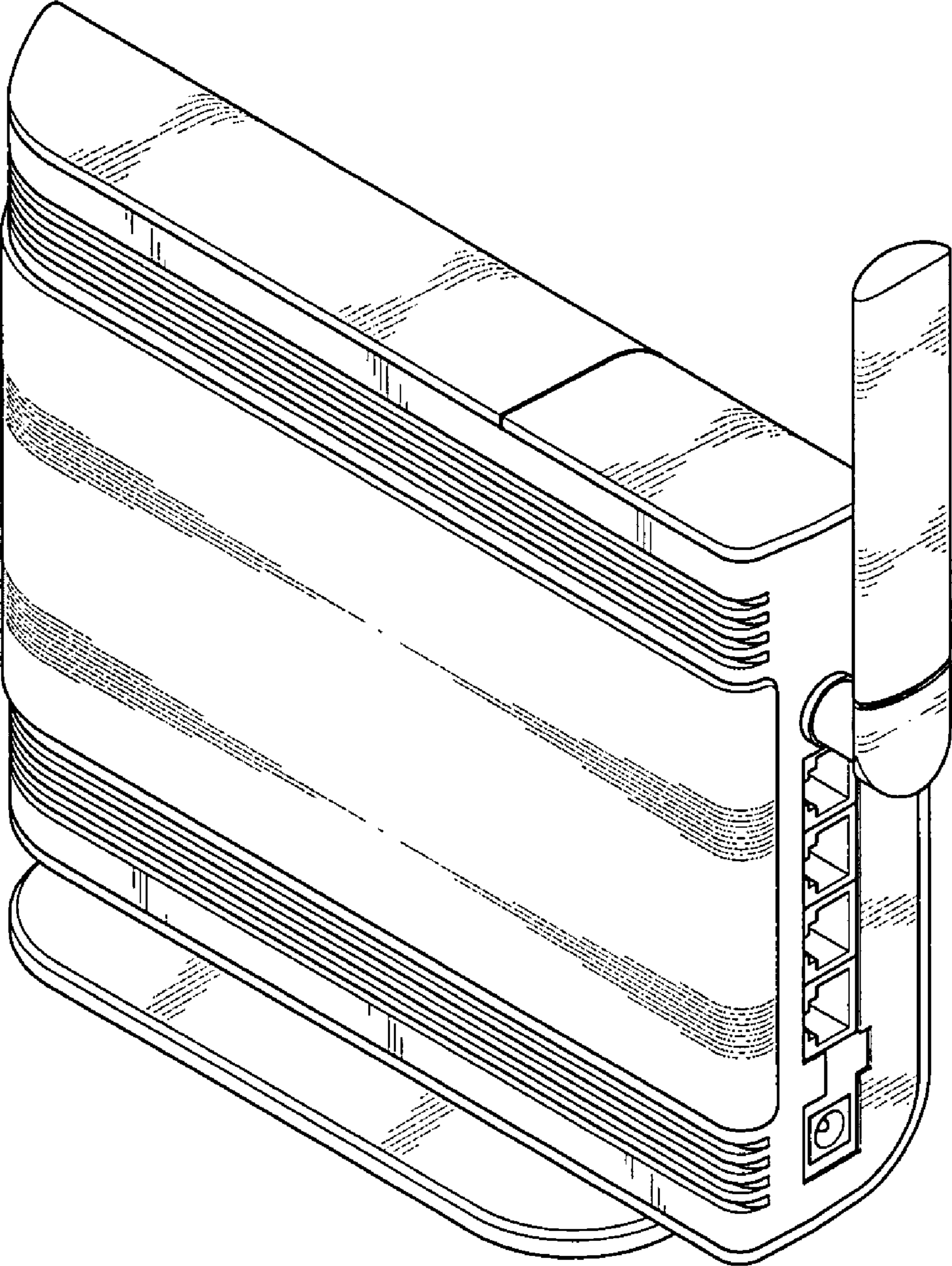


FIG.2

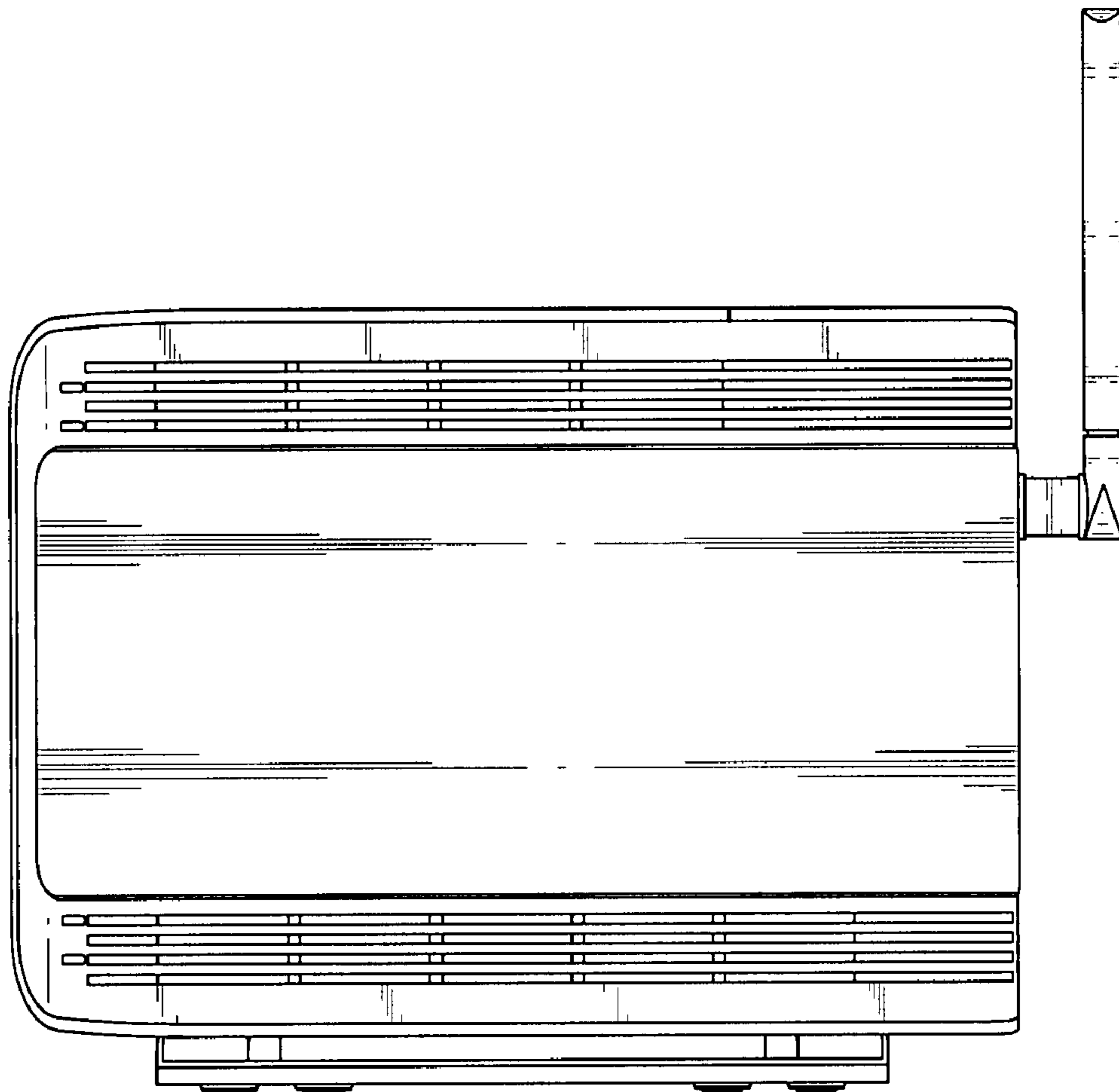


FIG.3

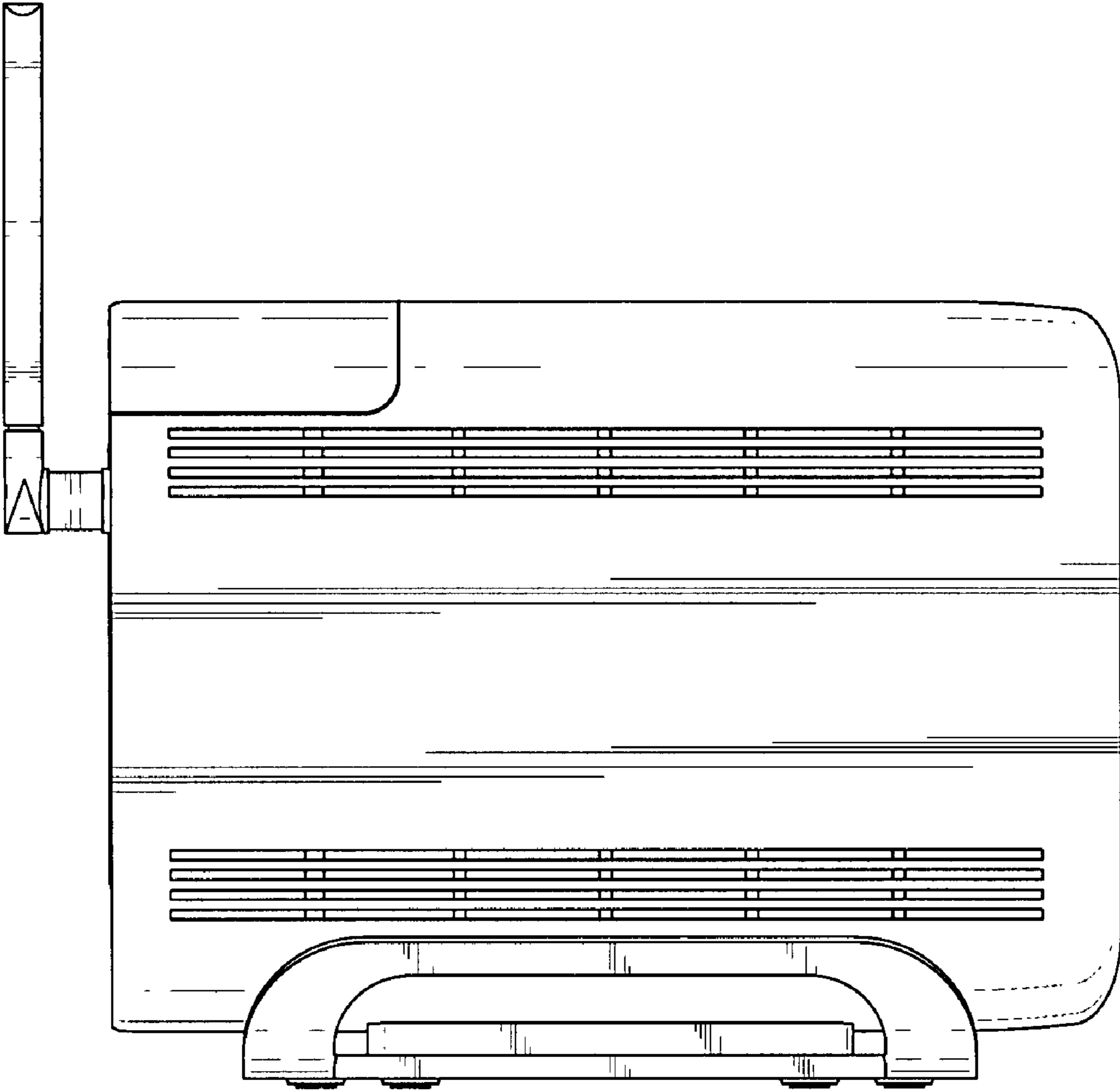


FIG.4

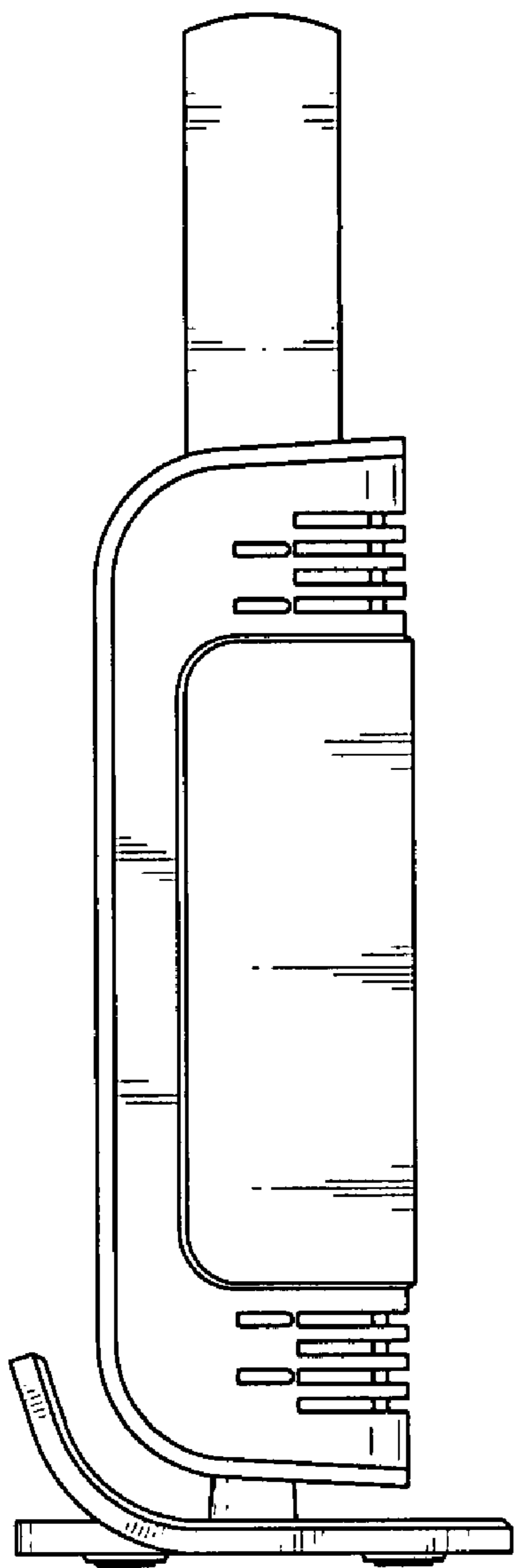


FIG.5

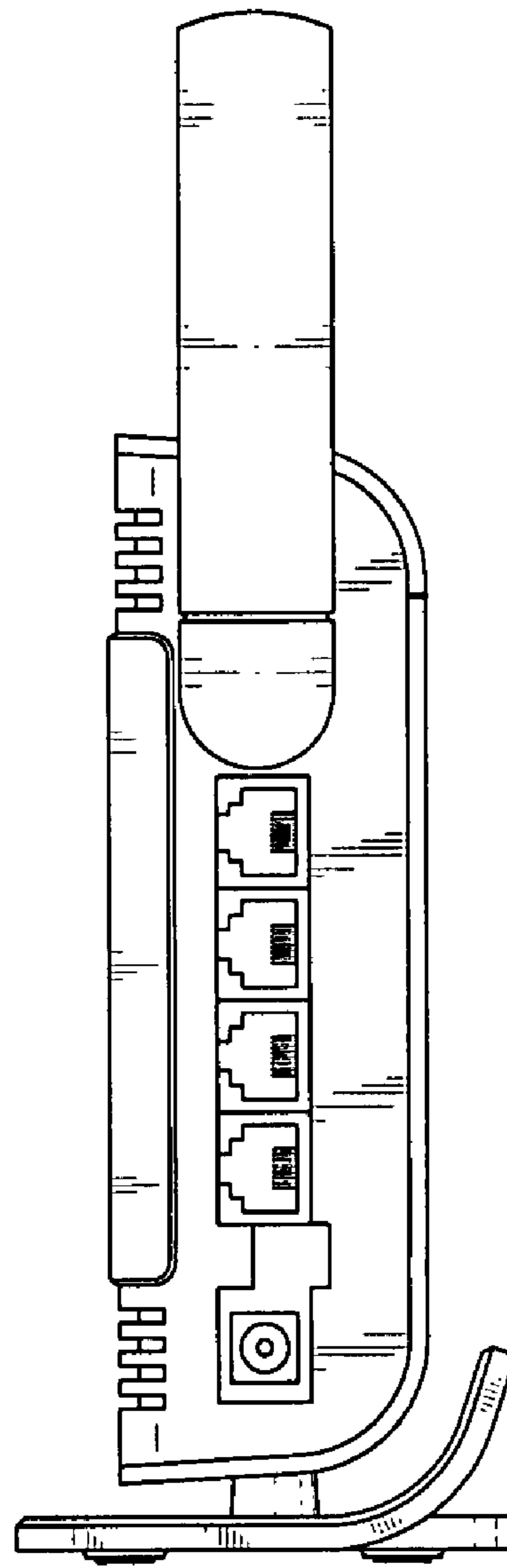


FIG.6

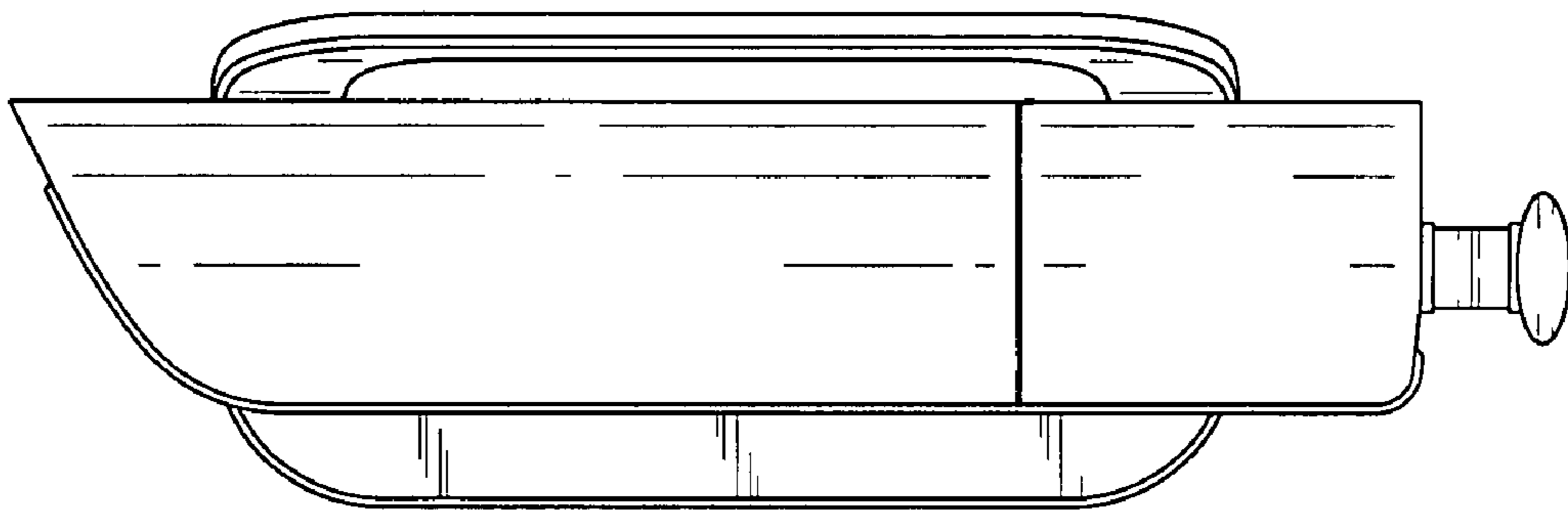


FIG.7

