



US00D593081S

(12) **United States Design Patent**
Grolle et al.

(10) **Patent No.:** **US D593,081 S**
(45) **Date of Patent:** **** May 26, 2009**

(54) **WALL MOUNT FOR AUDIO VISUAL APPARATUS**

(75) Inventors: **Paul Grolle**, Helmond (NL); **Stefan Luijben**, Helmond (NL)

(73) Assignee: **Vogel's Holding B.V.** (NL)

(**) Term: **14 Years**

(21) Appl. No.: **29/325,576**

(22) Filed: **Oct. 2, 2008**

(51) **LOC (9) Cl.** **14-03**

(52) **U.S. Cl.** **D14/239**

(58) **Field of Classification Search** D14/125-134, D14/239, 371, 136, 374-377; D8/363, 373, D8/349, 394; 248/465, 917-924, 123.11; 348/825, 827, 836, 837, 838, 180, 184, 325, 348/739; 600/443; D6/477-479, 407, 474, D6/460, 461, 468; 312/7.2; 341/12; 345/87, 345/104, 133, 156, 168, 169, 173; 720/605, 720/669, 600, 655; 369/99, 197; 455/344-347; 349/1, 2, 11, 62; 108/59, 91, 92, 96; 211/40, 211/41.12, 42, 49.1, 50, 85.2, 90.04, 187, 211/190, 119.003, 134.153, 87.01, 71.01

See application file for complete search history.

(56) **References Cited**

U.S. PATENT DOCUMENTS

1,815,767 A * 7/1931 Fusmer 248/475.1
D517,085 S * 3/2006 Deuschle D14/451

D528,901 S * 9/2006 David D8/373
D539,125 S * 3/2007 Ly Hau et al. D8/373
D553,125 S * 10/2007 Ly Hau et al. D14/239
D560,671 S * 1/2008 Muday et al. D14/451
D565,054 S * 3/2008 Anderson et al. D14/452
D565,399 S * 4/2008 Grey D8/380
D566,444 S * 4/2008 Grey D6/553
D570,355 S * 6/2008 Muday et al. D14/451
D570,852 S * 6/2008 Muday et al. D14/451
D576,632 S * 9/2008 Stenhouse et al. D14/451

* cited by examiner

Primary Examiner—Raphael Barkai

Assistant Examiner—Randall H Gholson

(74) *Attorney, Agent, or Firm*—Miller & Martin PLLC

(57) **CLAIM**

The ornamental design for a wall mount for audio visual apparatus, as shown and described.

DESCRIPTION

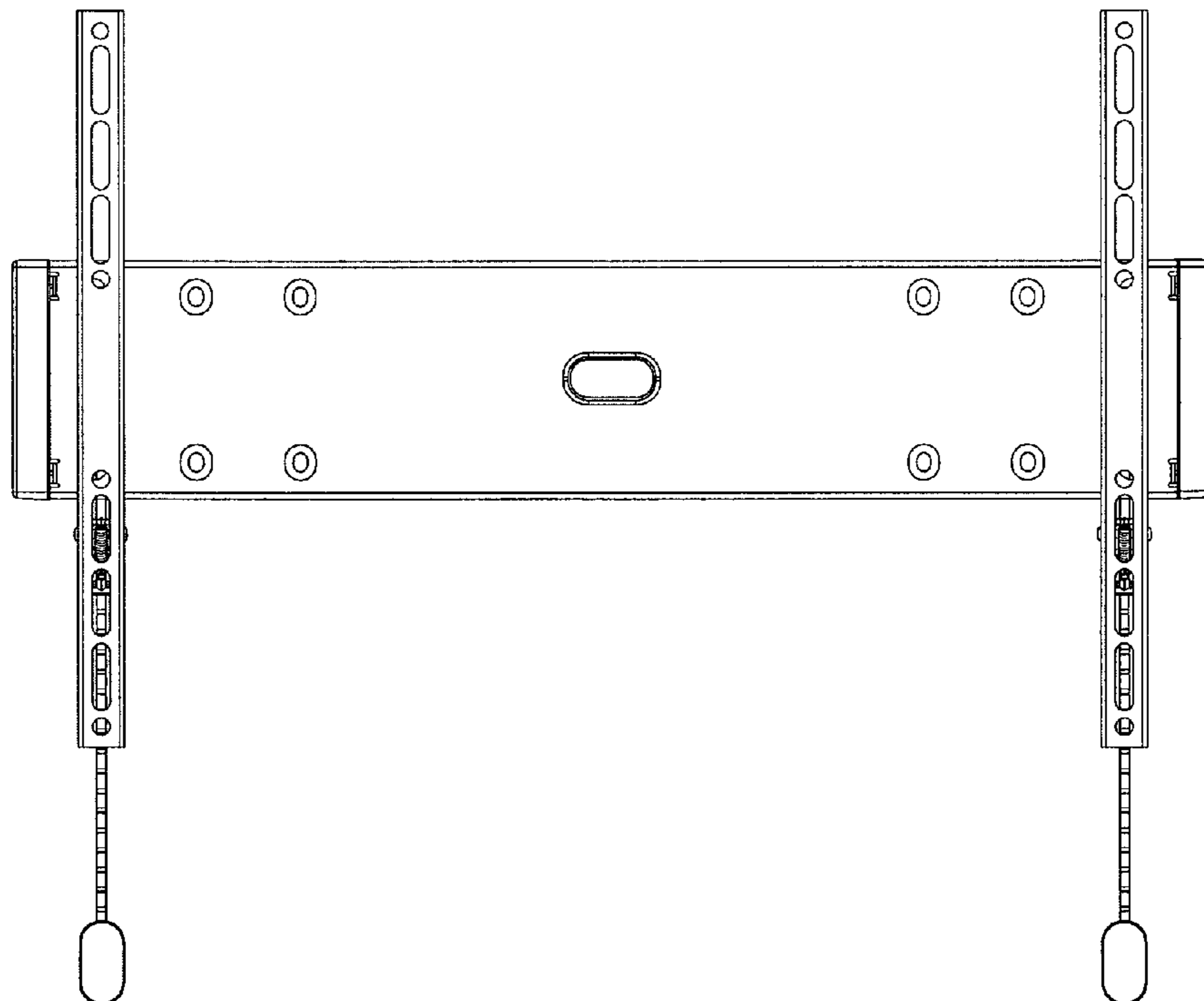
FIG. 1 is a front elevation view of the wall mount for audio visual apparatus;

FIG. 2 is a front perspective view of the wall mount for audio visual apparatus shown in FIG. 1;

FIG. 3 is a left elevation view of the wall mount for audio visual apparatus shown in FIG. 1, the right side being a mirror image thereof; and,

FIG. 4 is a top elevation view of the wall mount for audio visual apparatus shown in FIG. 1.

1 Claim, 4 Drawing Sheets



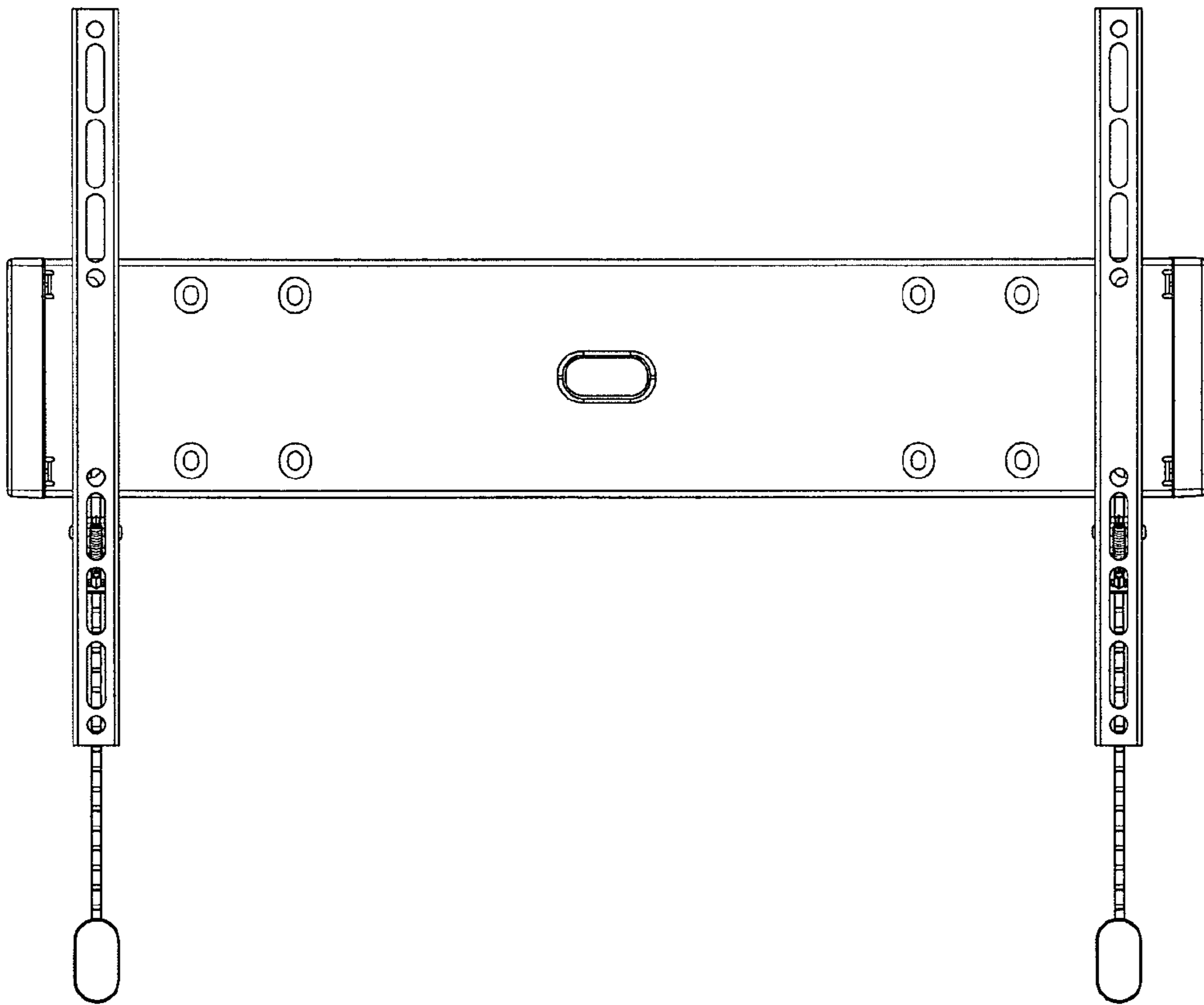


FIG. 1

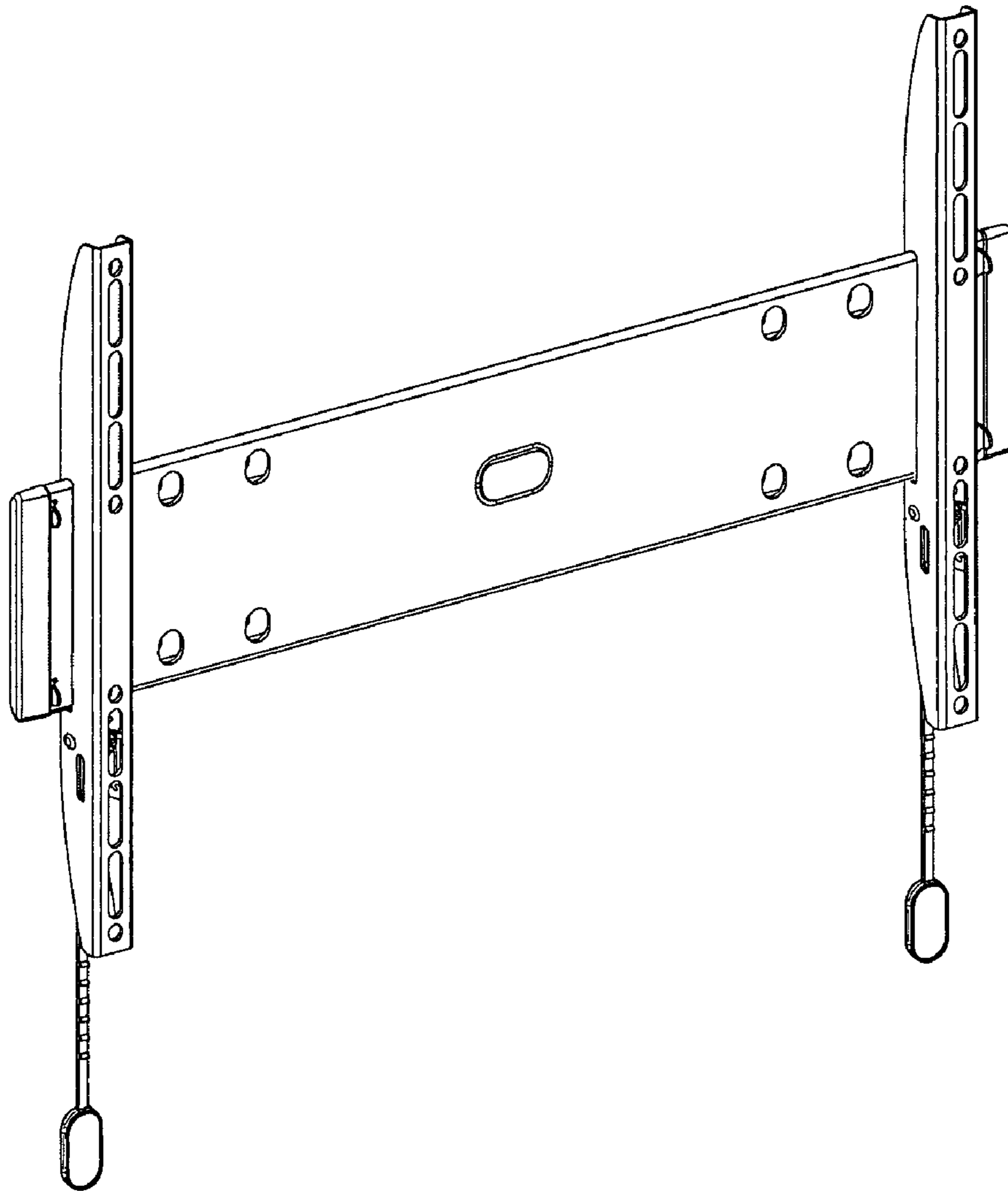


FIG. 2

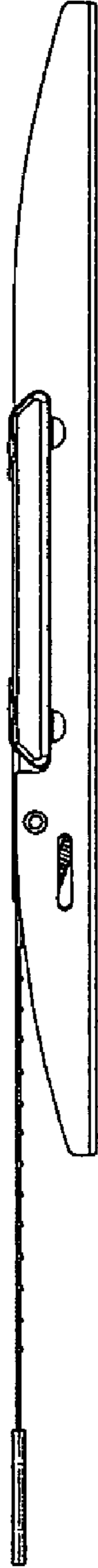


FIG. 3

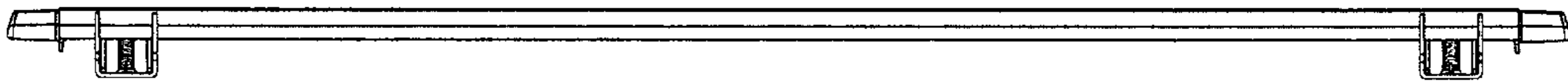


FIG. 4