

US00D593080S

(12) **United States Design Patent**
Russell et al.

(10) **Patent No.:** **US D593,080 S**

(45) **Date of Patent:** **** May 26, 2009**

(54) **DISPLAY MOUNT WITH
NON-CYLINDRICAL CROSS SUPPORTS**

3,856,246 A 12/1974 Sinko
4,202,520 A 5/1980 Loos et al.
4,938,005 A 7/1990 Focke

(75) Inventors: **Scott Russell**, Woodbury, MN (US); **Joel Pfister**, Golden Valley, MN (US)

(Continued)

(73) Assignee: **Milestone AV Technologies LLC**,
Savage, MN (US)

OTHER PUBLICATIONS

Chief Manufacturing, Inc., *Full-Line Product Guide 2004*, Jan. 2004,
pp. 1-64.

(**) Term: **14 Years**

(Continued)

(21) Appl. No.: **29/320,666**

Primary Examiner—Raphael Barkai
Assistant Examiner—Randall H Gholson

(22) Filed: **Jul. 1, 2008**

(74) *Attorney, Agent, or Firm*—Patterson, Thuente, Skaar &
Christensen, PA

Related U.S. Application Data

(63) Continuation-in-part of application No. 29/299,839,
filed on Jan. 4, 2008, now abandoned.

(57) **CLAIM**

The ornamental design for a display mount with non-cylindrical cross supports, as shown and described.

(51) **LOC (9) Cl.** **14-03**

(52) **U.S. Cl.** **D14/239**

(58) **Field of Classification Search** D14/125-134,
D14/239, 371, 136, 374-377; D8/363, 373,
D8/349, 394; 248/465, 917-924, 123.11;
348/825, 827, 836, 837, 838, 180, 184, 325,
348/739; 600/443; D6/477-479, 407, 474,
D6/460, 461, 468; 312/7.2; 341/12; 345/87,
345/104, 133, 156, 168, 169, 173; 720/605,
720/669, 600, 655; 369/99, 197; 455/344-347;
349/1, 2, 11, 62; 108/59, 91, 92, 96; 211/40,
211/41.12, 42, 49.1, 50, 85.2, 90.04, 187,
211/190, 119.003, 134.153, 87.01, 71.01
See application file for complete search history.

DESCRIPTION

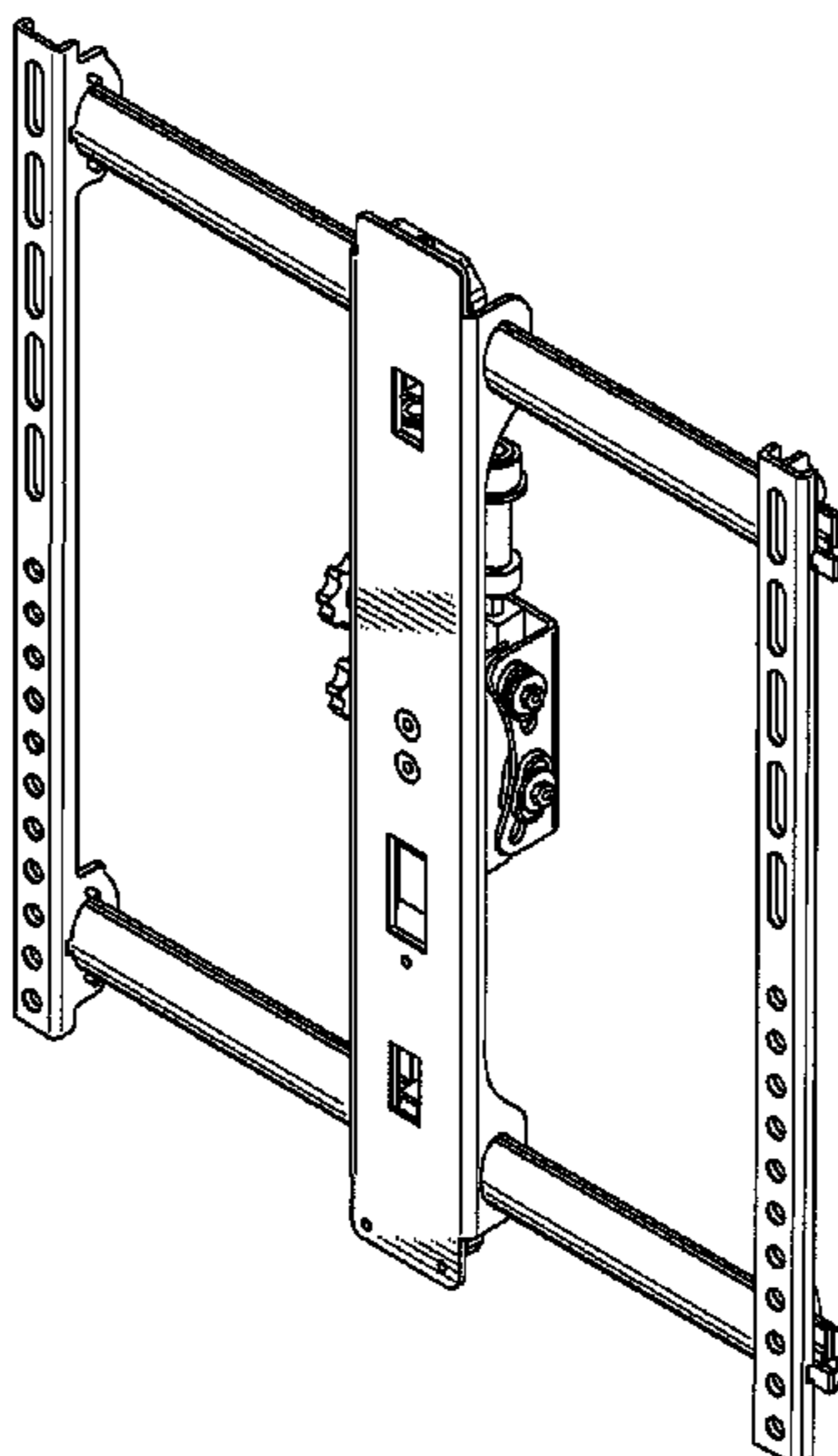
FIG. 1 is a front perspective view of a display mount with non-cylindrical cross supports according to the invention;
FIG. 2 is a rear elevation view of the display mount with non-cylindrical cross supports depicted in FIG. 1;
FIG. 3 is a front elevation view of the display mount with non-cylindrical cross supports depicted in FIG. 1;
FIG. 4 is a bottom plan view of the display mount with non-cylindrical cross supports depicted in FIG. 1;
FIG. 5 is a top plan view of the display mount with non-cylindrical cross supports depicted in FIG. 1;
FIG. 6 is a side elevation view of the display mount with non-cylindrical cross supports depicted in FIG. 1; and,
FIG. 7 is an opposing side elevation view of the display mount with non-cylindrical cross supports depicted in FIG. 1.

(56) **References Cited**

U.S. PATENT DOCUMENTS

3,188,030 A 6/1965 Fischer
3,464,661 A 9/1969 Alesi, Jr.
D232,917 S 9/1974 Vincent

1 Claim, 5 Drawing Sheets



U.S. PATENT DOCUMENTS

D400,085 S 10/1998 Haskin
 5,827,441 A 10/1998 Solbjorg
 5,992,802 A 11/1999 Campbell
 D417,611 S 12/1999 van de Lande
 D426,142 S 6/2000 Moore
 6,102,348 A 8/2000 O'Neill
 6,367,756 B1 4/2002 Wang
 6,402,109 B1 6/2002 Dittmer
 6,527,466 B1 3/2003 Blier et al.
 D477,325 S 7/2003 Theis et al.
 D477,606 S 7/2003 Theis et al.
 D485,161 S 1/2004 Hutchinson
 D488,708 S 4/2004 Lam et al.
 D493,800 S 8/2004 Pfister et al.
 D494,183 S 8/2004 Wills et al.
 D494,596 S 8/2004 Pfister
 D494,978 S 8/2004 Pfister
 D495,713 S 9/2004 Pfister et al.
 D496,367 S 9/2004 Pfister
 D497,537 S 10/2004 O'Keene et al.
 D505,477 S 5/2005 Rager
 6,905,101 B1 6/2005 Dittmer
 6,923,413 B2 8/2005 Dozier
 D517,085 S 3/2006 Deuschle
 D520,017 S 5/2006 Van Kuijk et al.
 D530,595 S 10/2006 Lam et al.
 D538,141 S 3/2007 Stenhouse et al.
 D538,632 S 3/2007 Ly Hau et al.
 D539,125 S 3/2007 Ly Hau et al.
 D539,128 S 3/2007 Ly Hau et al.
 D539,636 S 4/2007 Bremmon
 D539,637 S 4/2007 Ly Hau et al.
 D539,639 S 4/2007 Nagle
 D540,154 S 4/2007 Bremmon
 D549,636 S 8/2007 Dial
 D553,125 S 10/2007 Ly Hau et al.
 D553,483 S 10/2007 Grey
 D560,670 S 1/2008 Anderson et al.
 D560,672 S 1/2008 Muday et al.
 D561,562 S 2/2008 Wohlford et al.
 D561,775 S 2/2008 Wohlford et al.
 D563,416 S 3/2008 Bremmon
 D563,962 S 3/2008 Grey
 D565,054 S 3/2008 Anderson et al.
 D565,399 S 4/2008 Grey

D570,199 S 6/2008 Bremmon
 D570,355 S * 6/2008 Muday et al. D14/451
 D570,852 S 6/2008 Muday et al.
 D581,914 S * 12/2008 Bures et al. D14/239
 2002/0011544 A1 1/2002 Bosson
 2003/0201372 A1 10/2003 Dozier
 2004/0011932 A1 1/2004 Duff
 2008/0054147 A1 3/2008 Muday et al.
 2008/0156949 A1 7/2008 Sculler et al.

OTHER PUBLICATIONS

Chief Manufacturing, Inc., *The Focus: Presentation Support Solutions*, 2003, pp. 1-80.
 Chief Manufacturing, Inc., *The Focus: Presentation Support Solutions*, Full Line Product Guide, Effective Apr. 2002, pp. 1-68.
 Mounts by PDR, A Division of David Engineering, *Panel Display Pivot Mount*, pp. 4.
 Fimco, *Wall Mount Kit for Plasma TV Screens*, Nov. 2003, pp. 12.
 Peerless, *SmartMount™ Universal Tilt Wall Mount for 32" to 50" Plasma and LCD Flat Panel Screens*, 2006, pp. 2.
 Peerless, *SmartMount™ Universal Tilt Wall Mount for 61" to 102" Plasma and LCD Flat Panel Screens*, 2006, pp. 2.
 Peerless, *SmartMount™ Universal Tilt Wall Mount for 42" to 71" Plasma and LCD Flat Panel Screens*, 2006, pp. 2.
 Peerless, *SmartMount™ Universal Tilt Wall Mount for 32" to 60" Plasma and LCD Flat Panel Screens*, 2006, pp. 2.
 Peerless, *SmartMount™ Universal Tilt Wall Mount for 23" to 46" LCD Flat Panel Screens*, 2006, pp. 2.
 Peerless, *SmartMount™ Universal Flat Wall Mount for 61" to 102" Plasma and LCD Flat Panel Screens*, 2006, pp. 2.
 Peerless, *SmartMount™ Universal Flat Wall Mount for 42" to 71" Plasma and LCD Flat Panel Screens*, 2006, pp. 2.
 Peerless, *SmartMount™ Universal Flat Wall Mount for 32" to 60" Plasma and LCD Flat Panel Screens*, 2006, pp. 2.
 Peerless, *SmartMount™ Universal Flat Wall Mount for 23" to 46" LCD Flat Panel Screens*, 2006, pp. 2.
 Peerless, *SmartMount™ Universal Tilt Wall Mount for 22" to 49" Screens*, Mar. 31, 2005, pp. 12.
 Viewsonic, *Mount*, 2005, pp. 1.
 Hitachi, *Mount*, 2005, pp. 1.
 Instruction Manual for Superior Mount, dated Feb. 1, 2007, pp. 12.
 Chief Manufacturing, Inc., Full Line Catalog, Mounting Solutions Product Guide, Copyright Jun. 2006, 122 Pgs.
 Sanus Visionmount Catalog, Copyright Mar. 2007, 40 Pgs.

* cited by examiner

Fig. 1

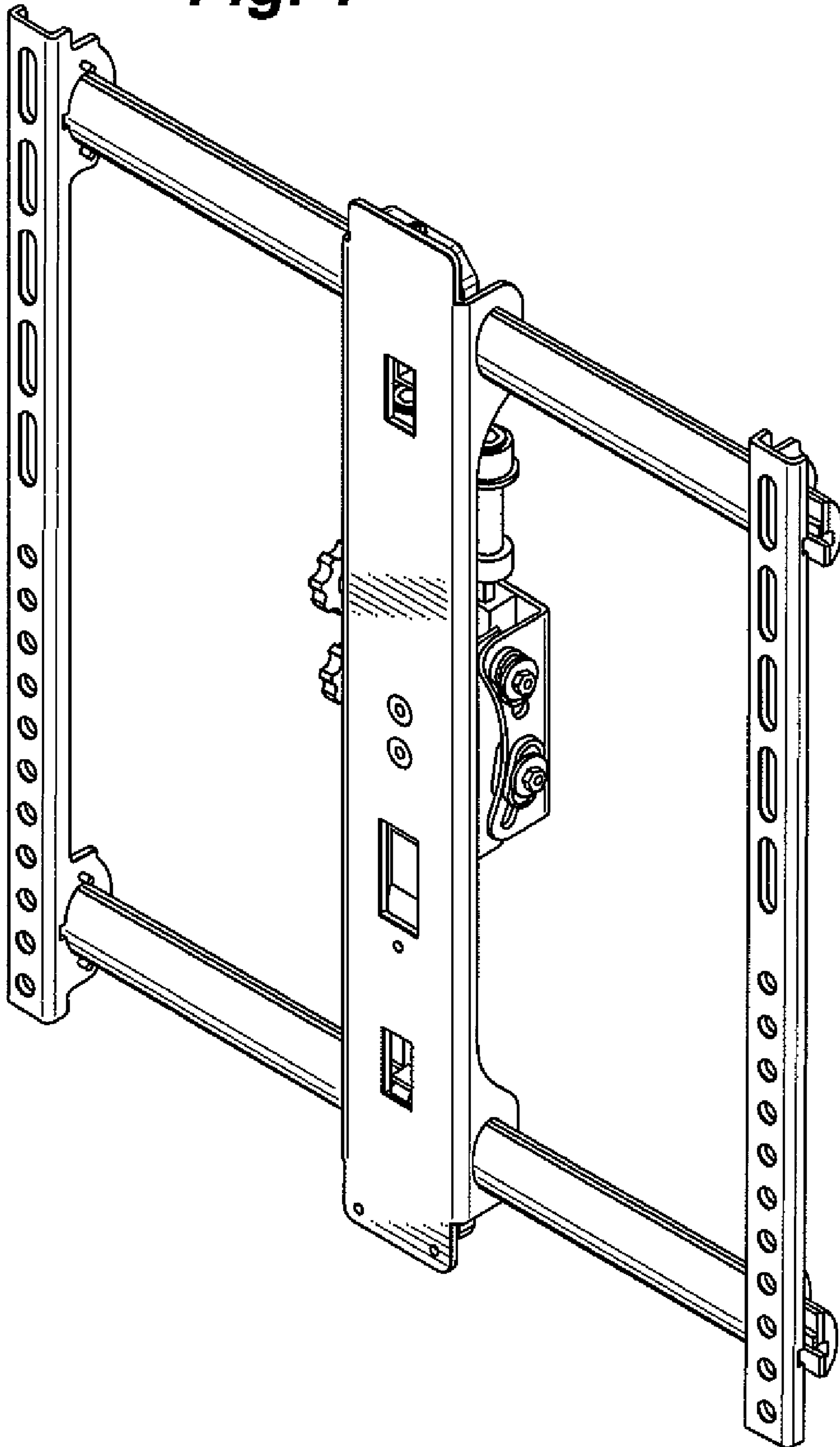


Fig. 2

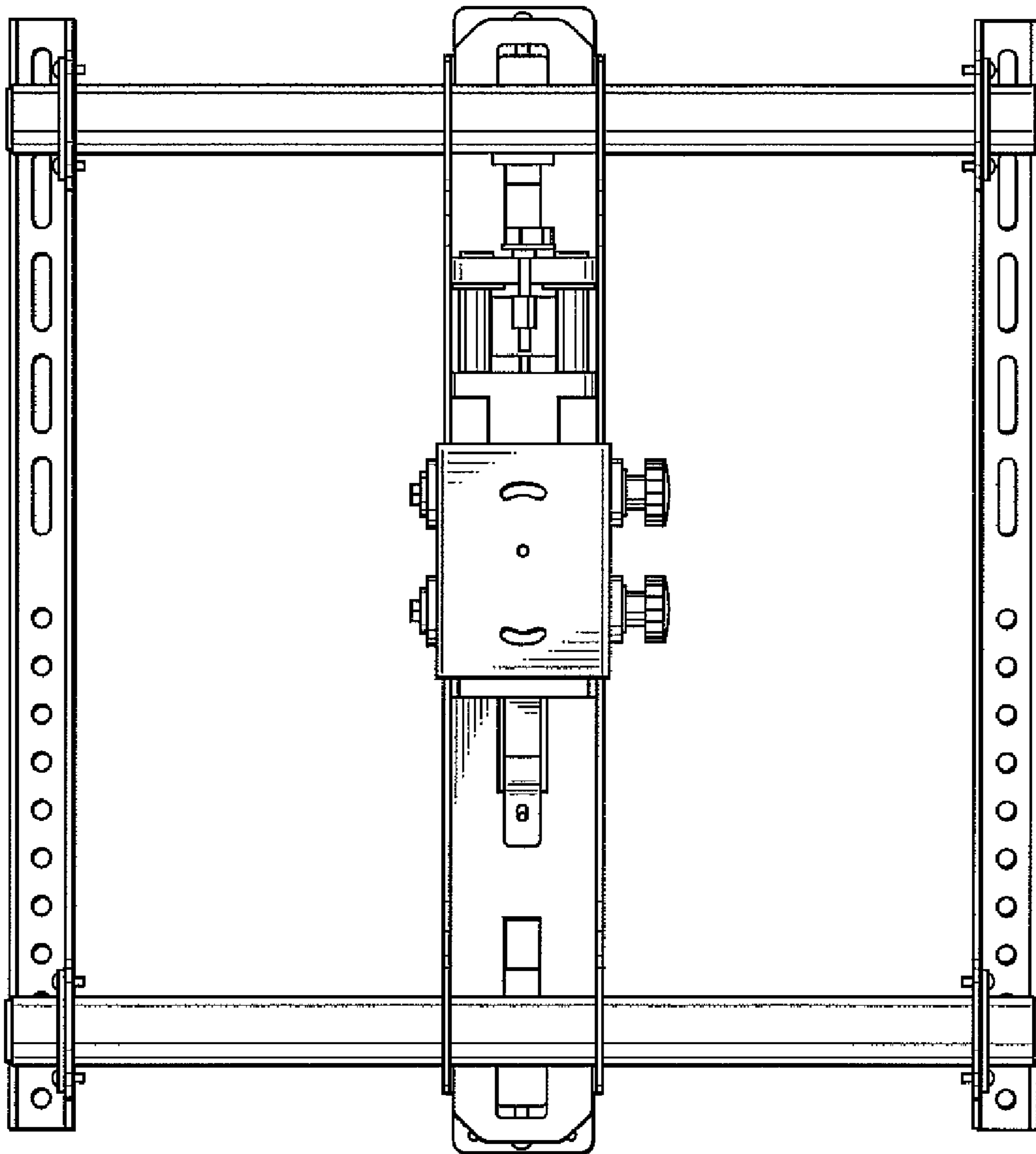


Fig. 3

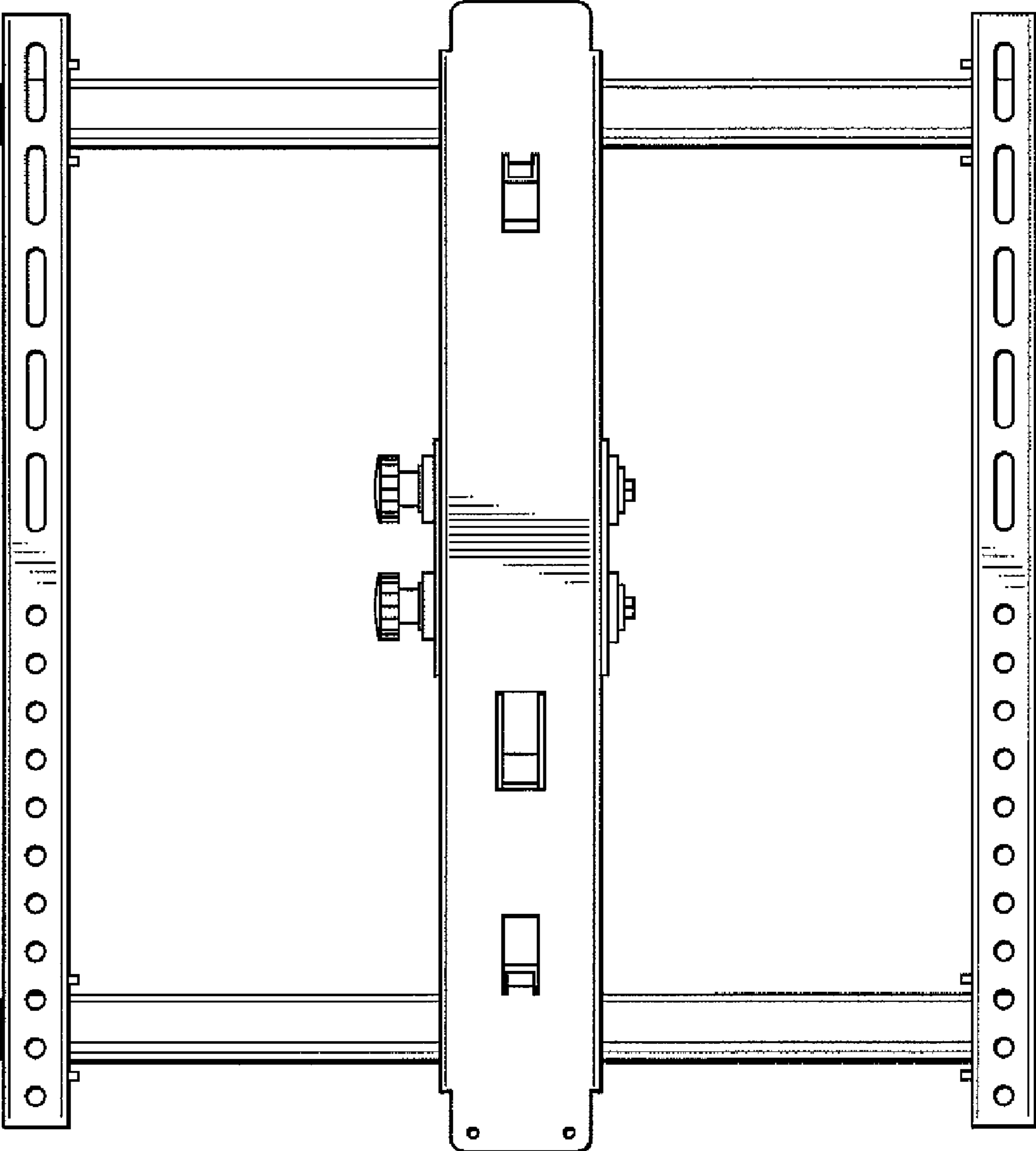


Fig. 4

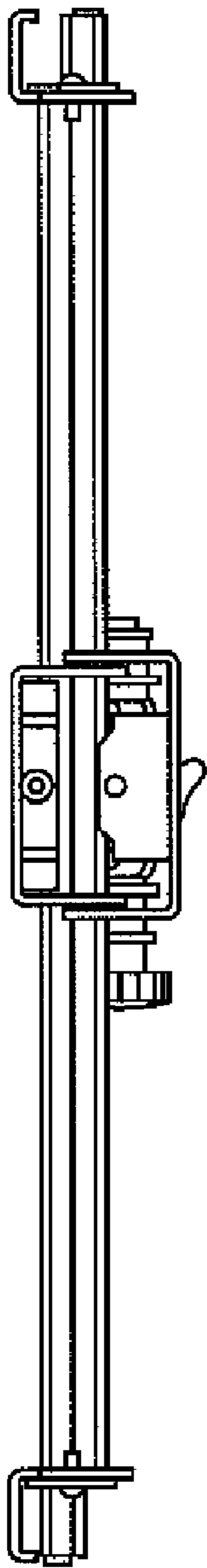


Fig. 5

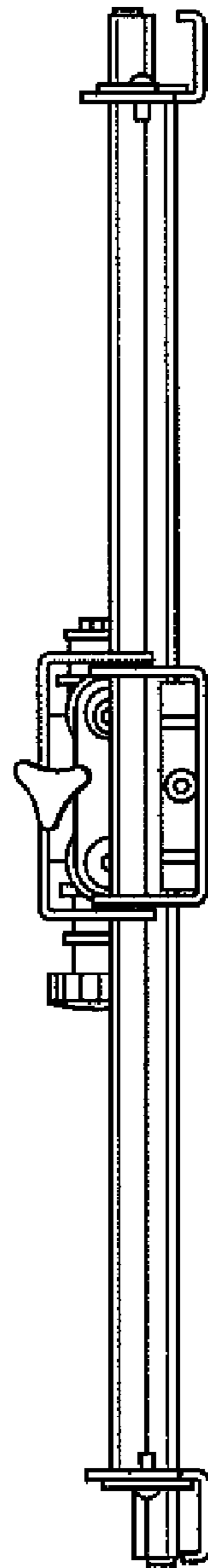


Fig. 6

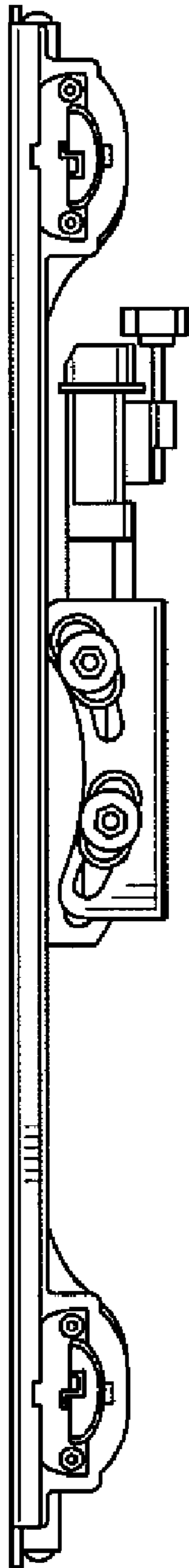


Fig. 7

