

US00D593078S

(12) **United States Design Patent**
Sato et al.

(10) **Patent No.:** **US D593,078 S**
(45) **Date of Patent:** **** May 26, 2009**

(54) **ANTENNA**

(75) Inventors: **Kyuichi Sato**, Akita (JP); **Takao Kato**, Akita (JP)

(73) Assignee: **Mitsumi Electric Co., Ltd**, Tokyo (JP)

(**) Term: **14 Years**

(21) Appl. No.: **29/273,798**

(22) Filed: **Mar. 14, 2007**

(30) **Foreign Application Priority Data**

Sep. 15, 2006 (JP) 2006-024811

(51) **LOC (9) Cl.** **14-03**

(52) **U.S. Cl.** **D14/230**

(58) **Field of Classification Search** D14/138,
D14/230-238, 299, 358; D12/42, 43; 343/700 MS,
343/700 R-705, 711-713, 741, 748, 767,
343/795, 819, 840, 846, 866, 871-908; 455/90.2,
455/90.3, 91, 128, 269, 344, 347, 562.1
See application file for complete search history.

(56) **References Cited**

U.S. PATENT DOCUMENTS

5,585,806 A * 12/1996 Ogino et al. 343/700 MS
6,975,272 B2 * 12/2005 Yuanzhu 343/700 MS
D515,076 S * 2/2006 Kusanagi et al. D14/230
7,042,399 B2 * 5/2006 Noro et al. 343/700 MS
D531,172 S * 10/2006 Noro et al. D14/230
D531,173 S * 10/2006 Aizawa et al. D14/230

7,151,503 B2 * 12/2006 Noro et al. 343/872
7,327,328 B2 * 2/2008 Yoneya et al. 343/841
2005/0054320 A1 * 3/2005 Noro et al. 455/344
2006/0071856 A1 * 4/2006 Shinkai et al. 343/700 MS
2006/0273968 A1 * 12/2006 Noro 343/713
2006/0290580 A1 * 12/2006 Noro et al. 343/715

* cited by examiner

Primary Examiner—T. Chase Nelson

Assistant Examiner—John Windmuller

(74) *Attorney, Agent, or Firm*—Sughrue Mion, PLLC

(57) **CLAIM**

The ornamental design for an antenna, as shown and described.

DESCRIPTION

FIG. 1 is a perspective view of the top, front and right side of an antenna showing our new design;

FIG. 2 is a front elevational view thereof;

FIG. 3 is a rear elevational view thereof;

FIG. 4 is a right side elevational view thereof;

FIG. 5 is a left side elevational view thereof;

FIG. 6 is a top plan view thereof;

FIG. 7 is a bottom plan view thereof; and,

FIG. 8 is a bottom perspective view thereof.

In the drawings, the broken lines depict environmental subject matter only and form no part of the claimed design.

1 Claim, 3 Drawing Sheets

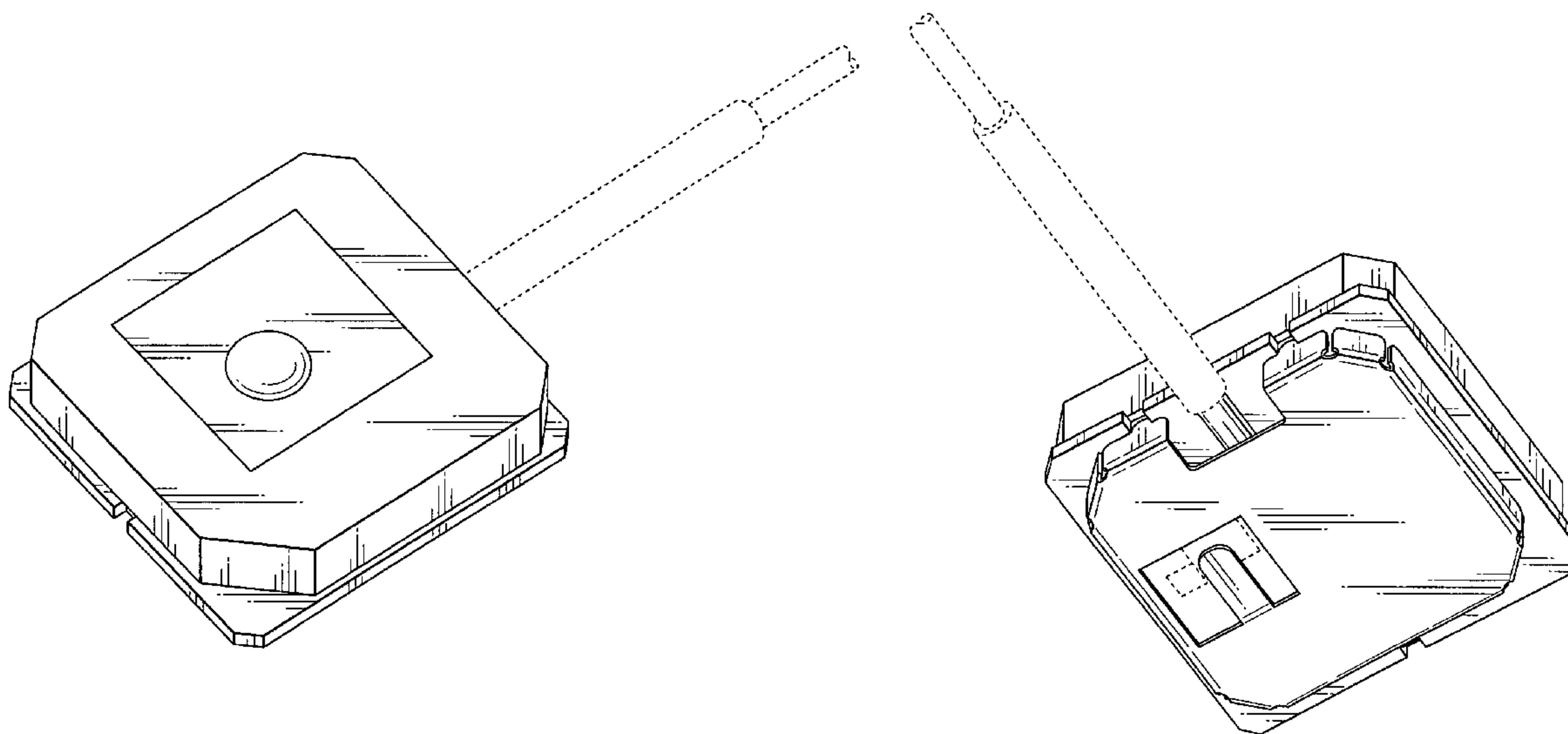


FIG.1

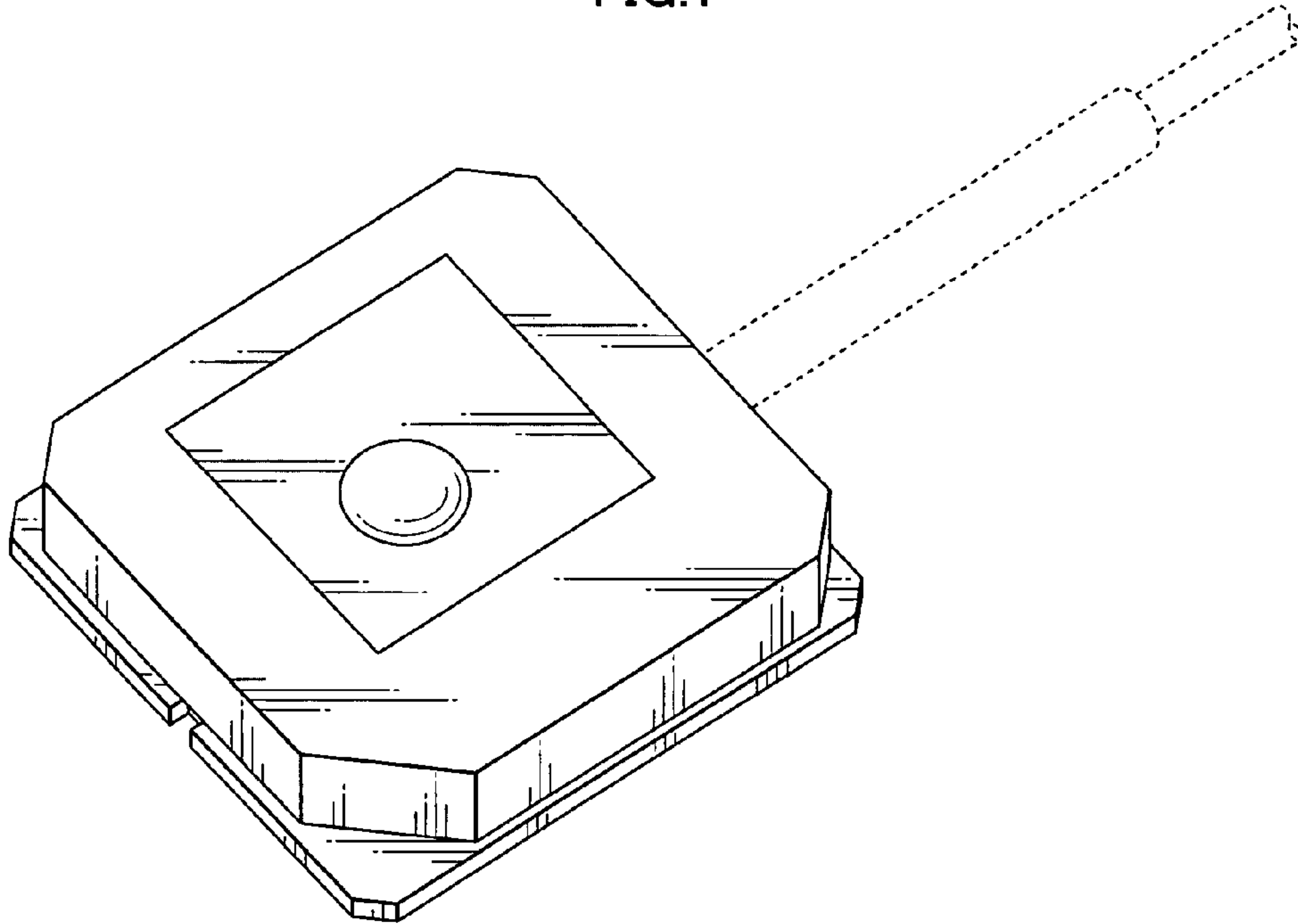


FIG.2

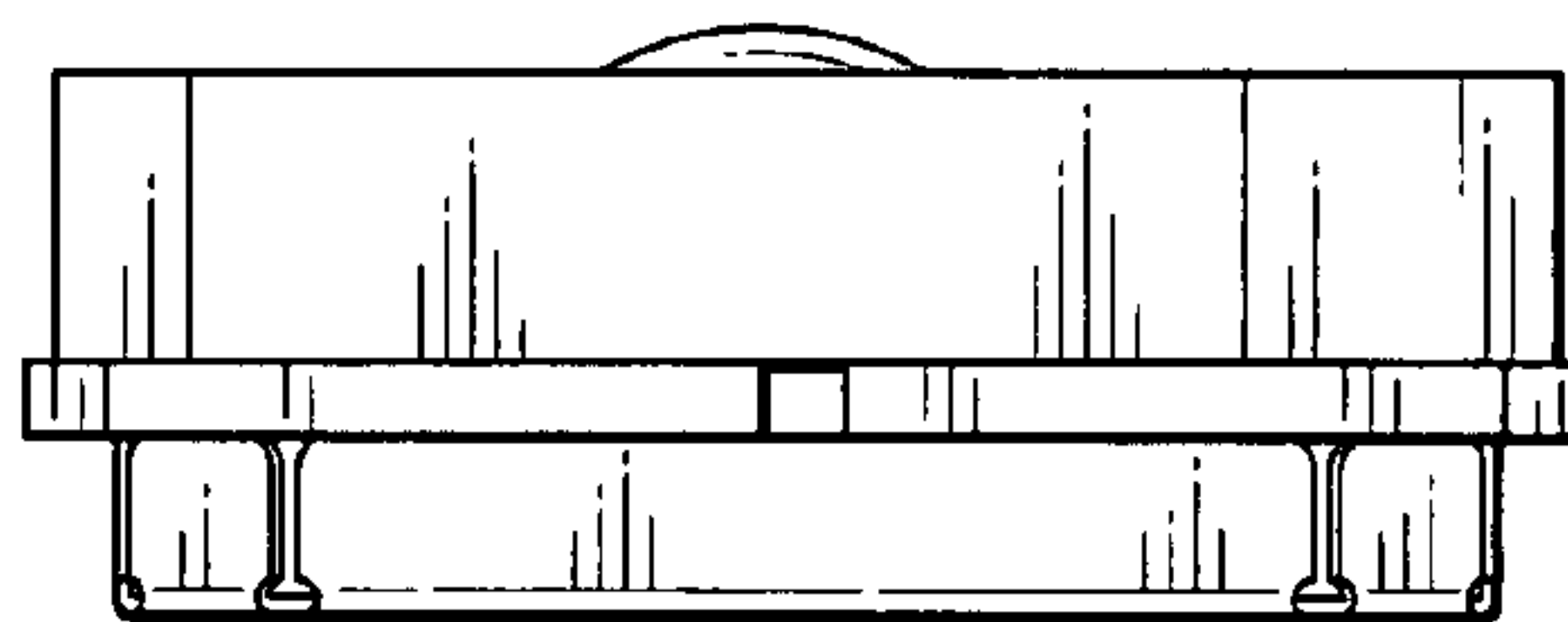


FIG.3

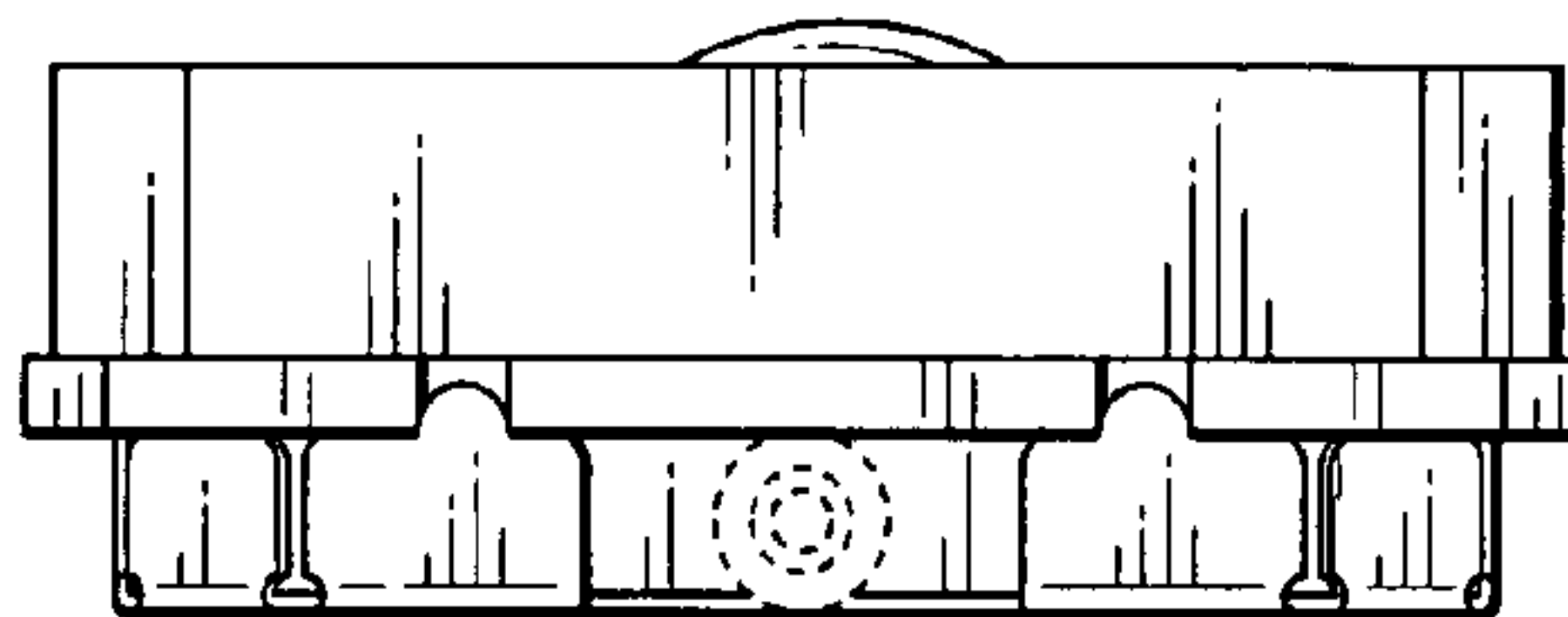


FIG.4

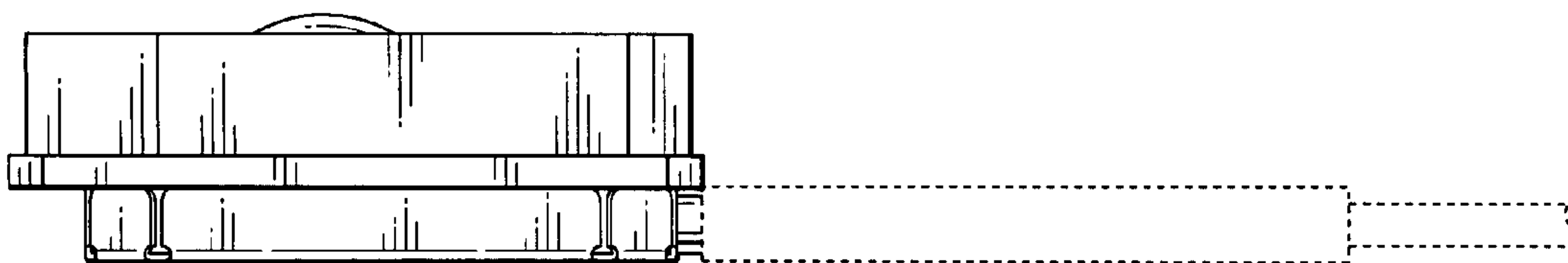


FIG.5

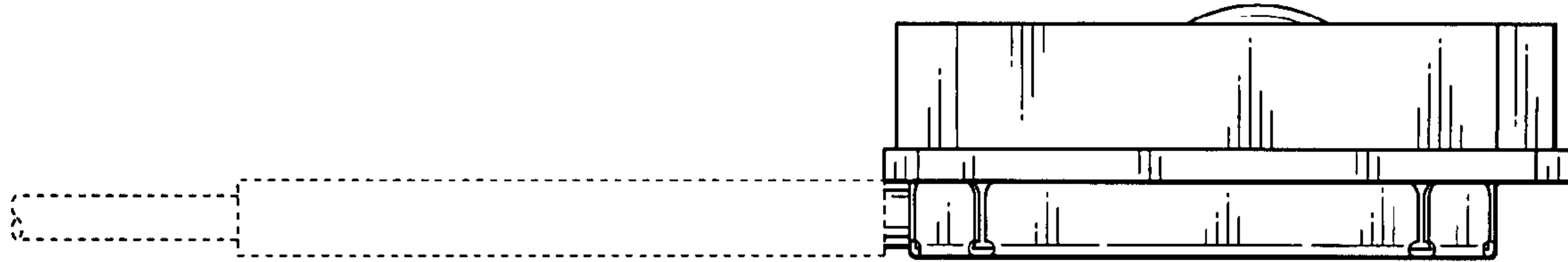


FIG.6

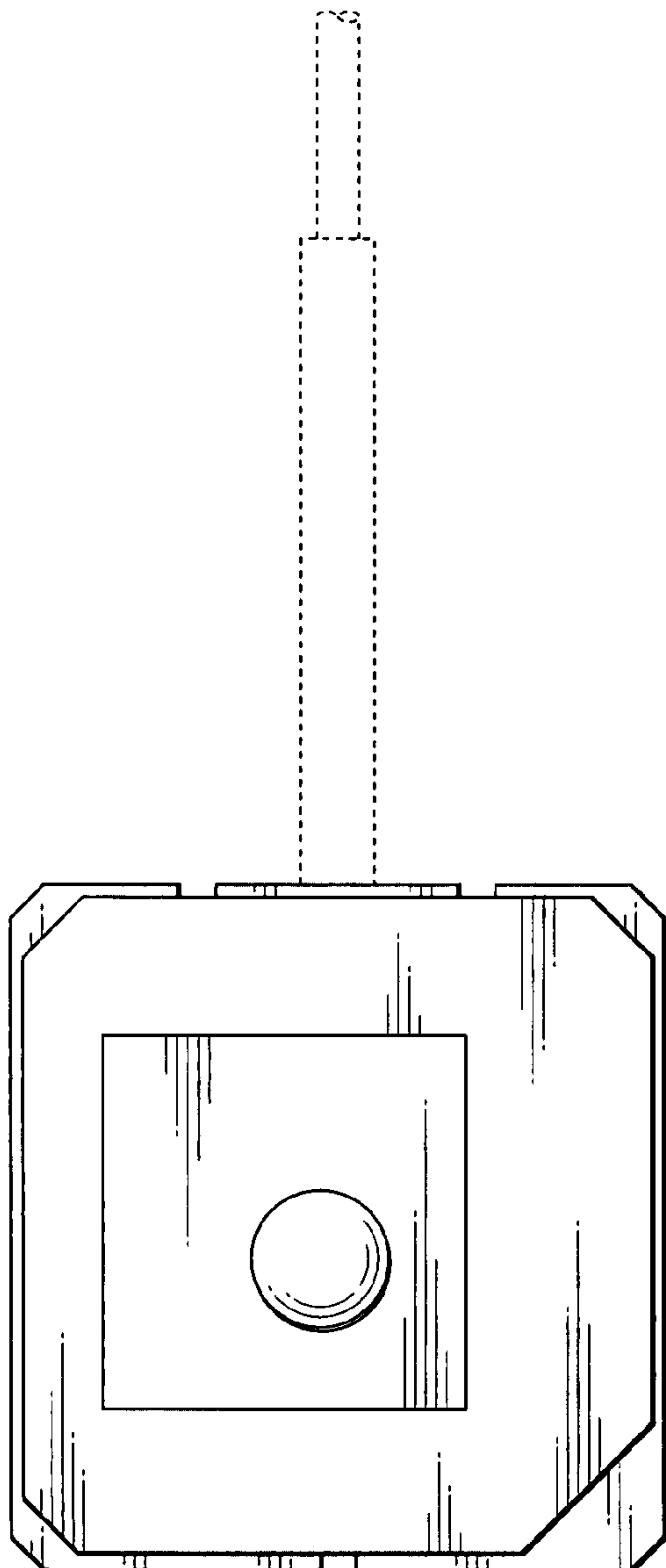


FIG.7

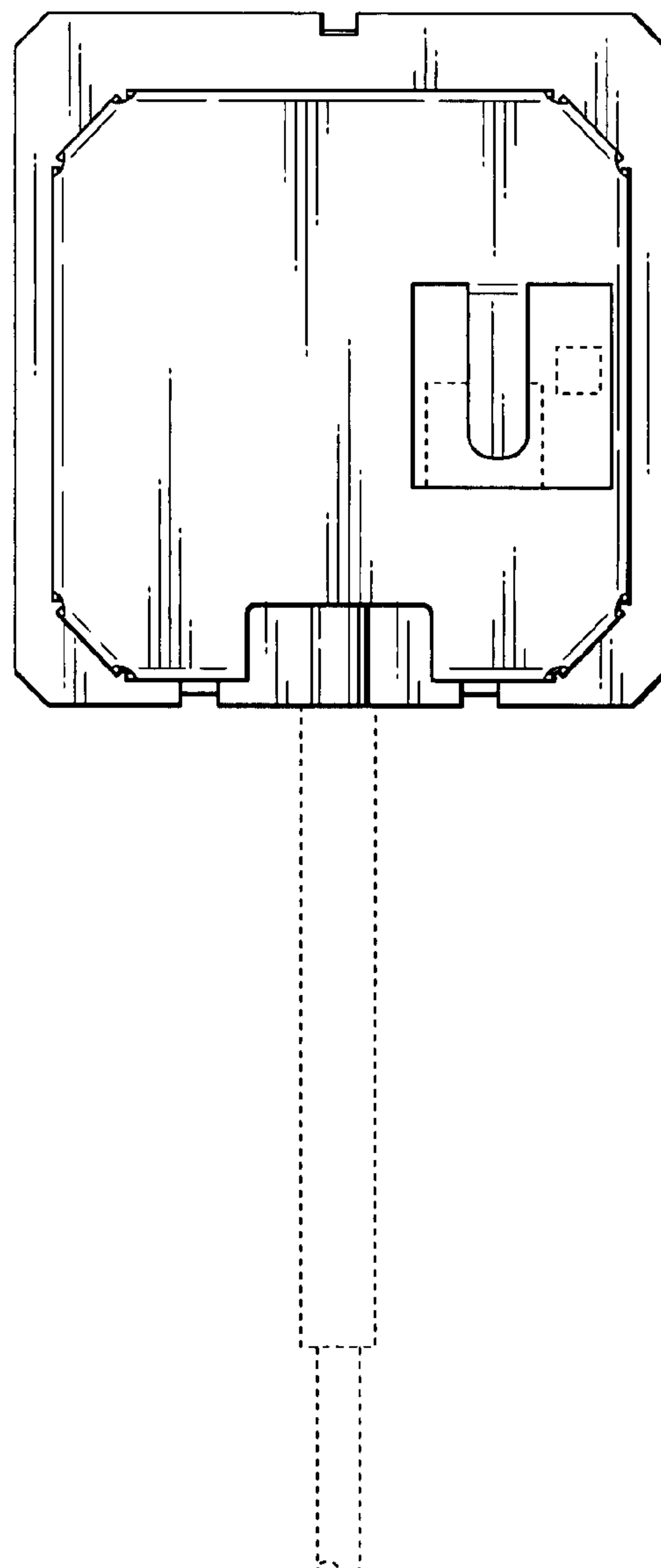


FIG.8

