



US00D593073S

(12) **United States Design Patent**
Kurihara

(10) **Patent No.:** **US D593,073 S**
(45) **Date of Patent:** **** May 26, 2009**

(54) **SPEAKER**

(75) Inventor: **Daisuke Kurihara**, Tokyo (JP)

(73) Assignee: **Sony Corporation**, Tokyo (JP)

(**) Term: **14 Years**

(21) Appl. No.: **29/309,194**

(22) Filed: **Jul. 7, 2008**

(30) **Foreign Application Priority Data**

Mar. 5, 2008 (EM) 000892153-0002
Mar. 5, 2008 (EM) 000892153-0004

(51) **LOC (9) Cl.** **14-01**

(52) **U.S. Cl.** **D14/216; D14/221**

(58) **Field of Classification Search** D14/204,
D14/210-216, 172, 221, 222; 181/143-144,
181/147-148, 150-153, 157, 198-199; 381/300-303,
381/306, 332-333, 336, 345, 361-364, 386-388
See application file for complete search history.

(56) **References Cited**

U.S. PATENT DOCUMENTS

D488,801 S 4/2004 Shindo et al.
D489,359 S 5/2004 Hakoda
D549,693 S * 8/2007 Mizokawa D14/216
D550,207 S * 9/2007 Mizokawa D14/216
D560,658 S * 1/2008 Akaishi et al. D14/221

FOREIGN PATENT DOCUMENTS

CN 300718201 S 12/2007

CN 300729685 S 1/2008
CN 300732378 S 1/2008
CN 300732379 S 1/2008
EM 000636386-0028 S 1/2007
EM 000636386-0029 S 1/2007
EM 000636386-0030 S 1/2007
EM 000636386-0031 S 1/2007

* cited by examiner

Primary Examiner—Nanda Bondade

(74) *Attorney, Agent, or Firm*—Rader, Fishman & Grauer, PLLC

(57) **CLAIM**

The ornamental design for a speaker, as shown and described.

DESCRIPTION

FIG. 1 is a perspective view of a speaker showing my new design;

FIG. 2 is a front elevational view thereof;

FIG. 3 is a left side elevational view thereof; and

FIG. 4 is a right side elevational view thereof.

FIG. 5 is a perspective view of another embodiment of a speaker showing my new design; and,

FIG. 6 is a front elevational view thereof.

The portions indicated in broken lines are for illustrative purposes only and form no part of the claimed design.

1 Claim, 6 Drawing Sheets

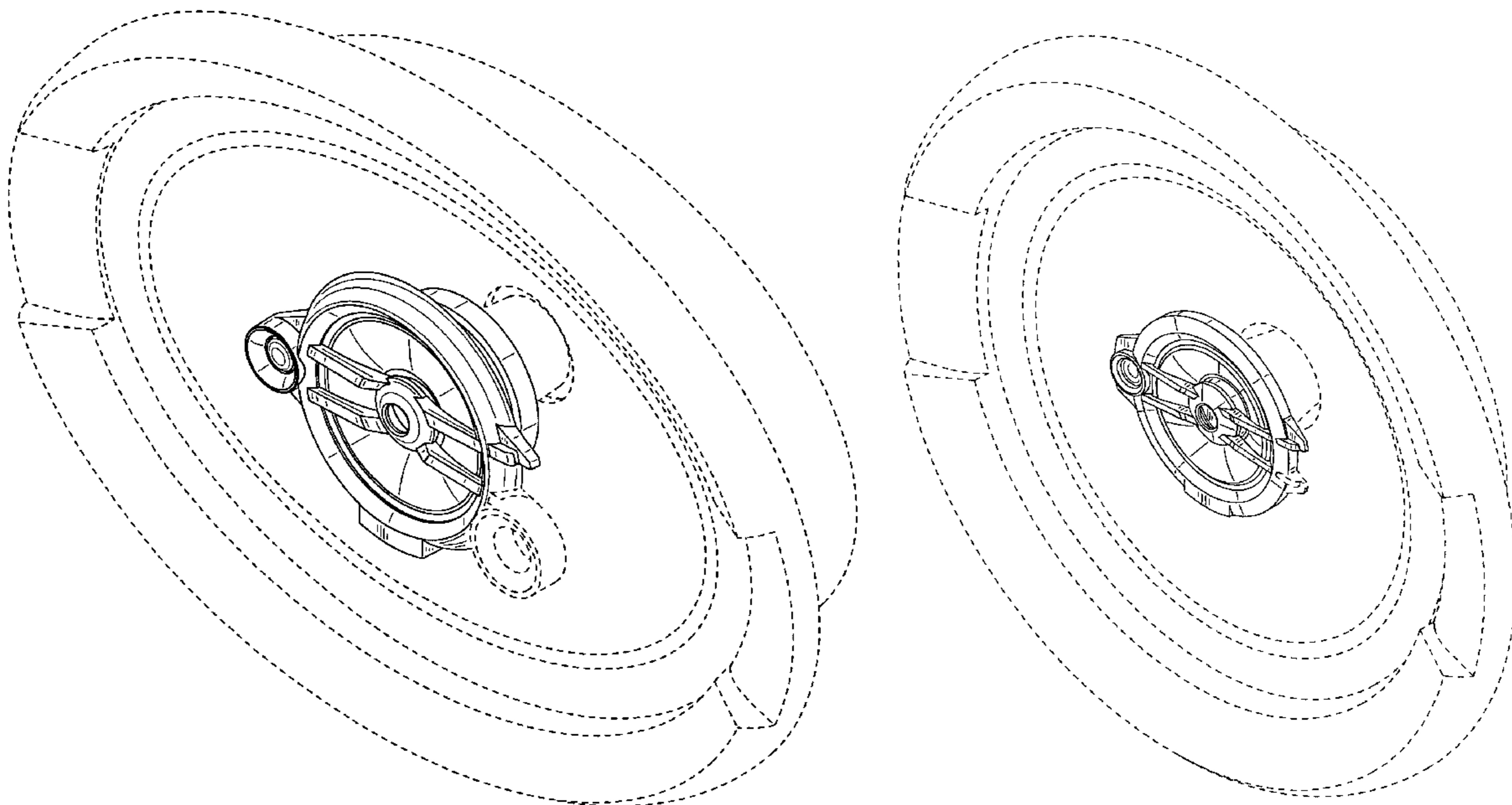


FIG.1

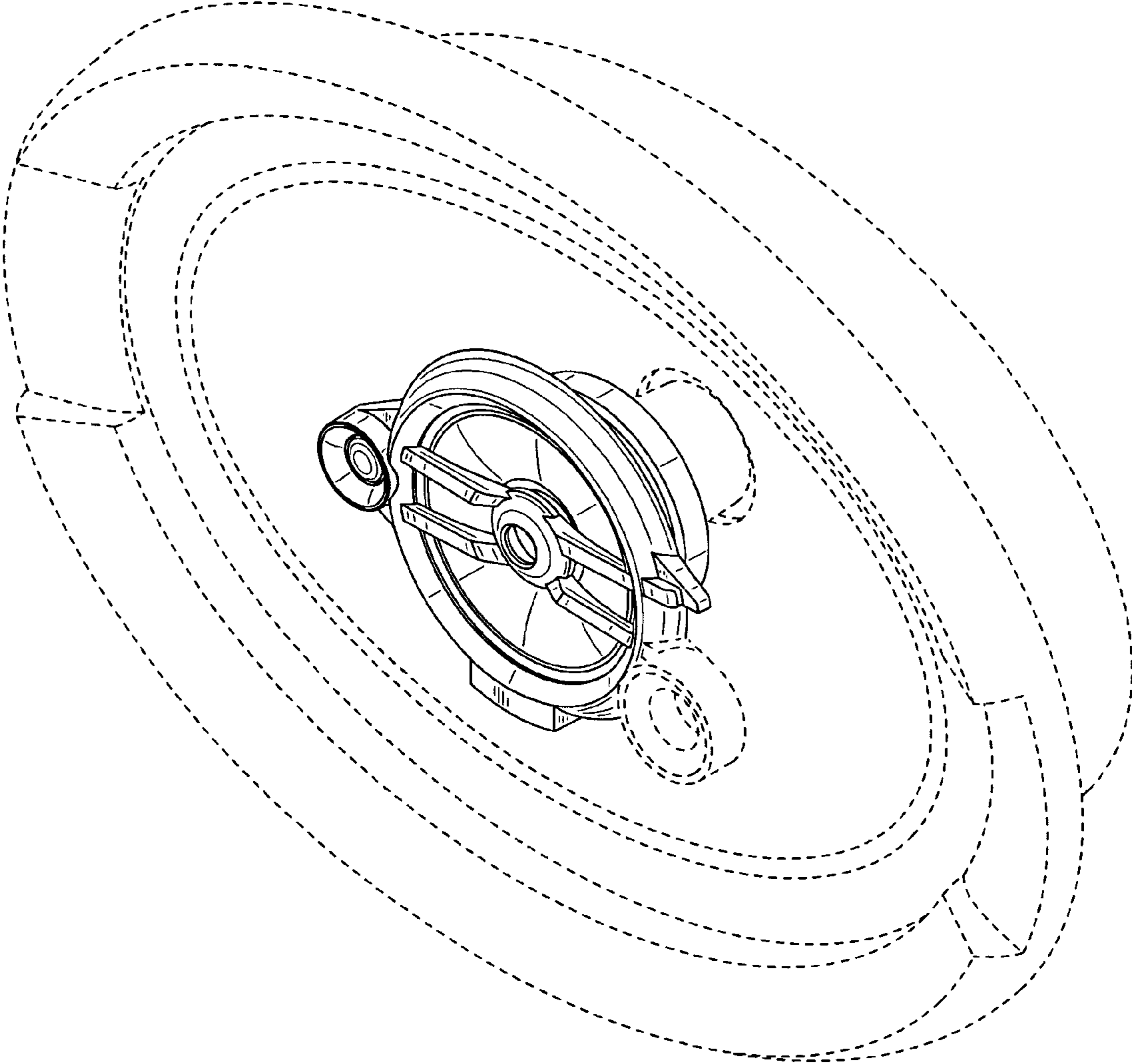


FIG.2

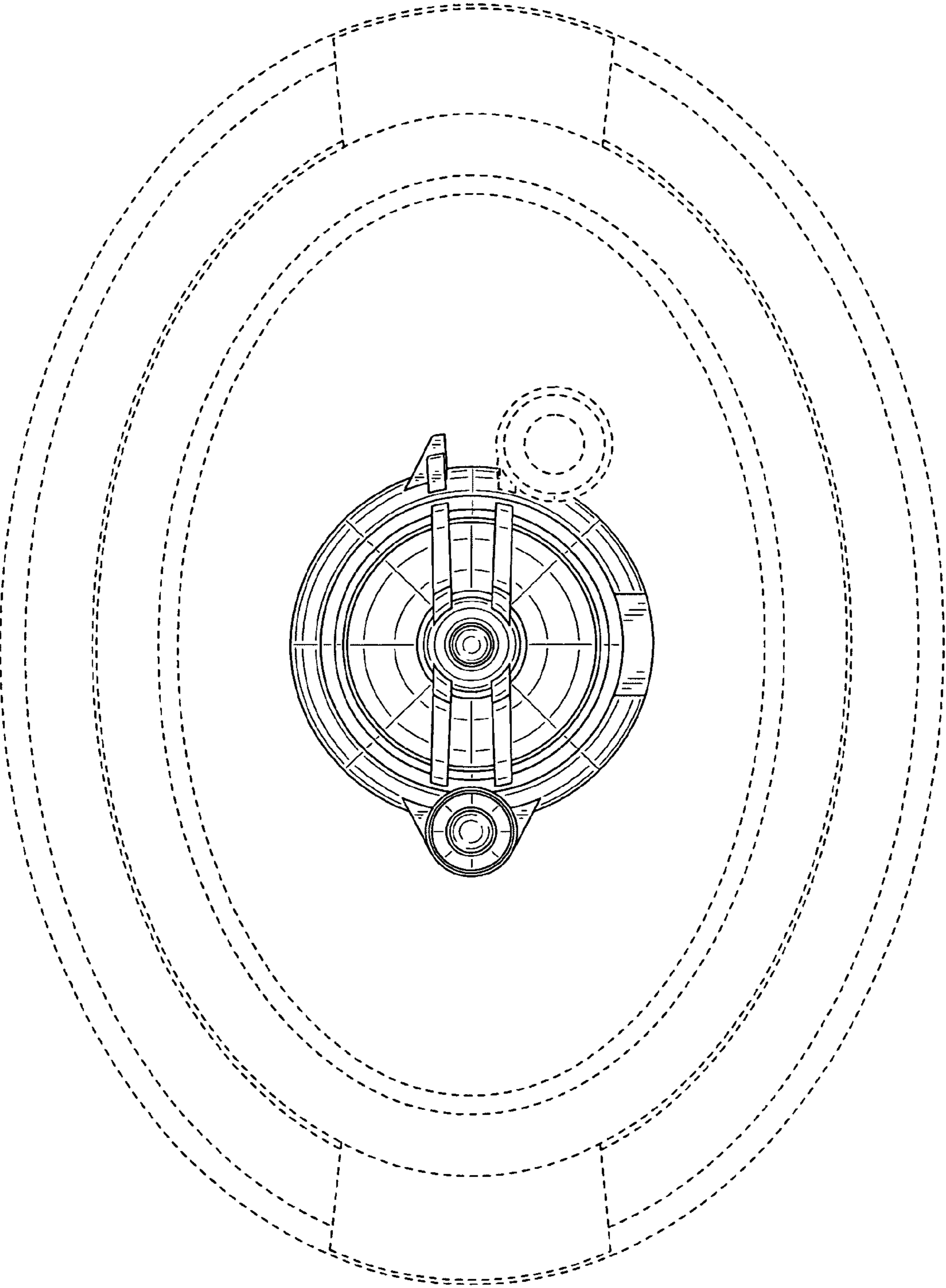


FIG.3

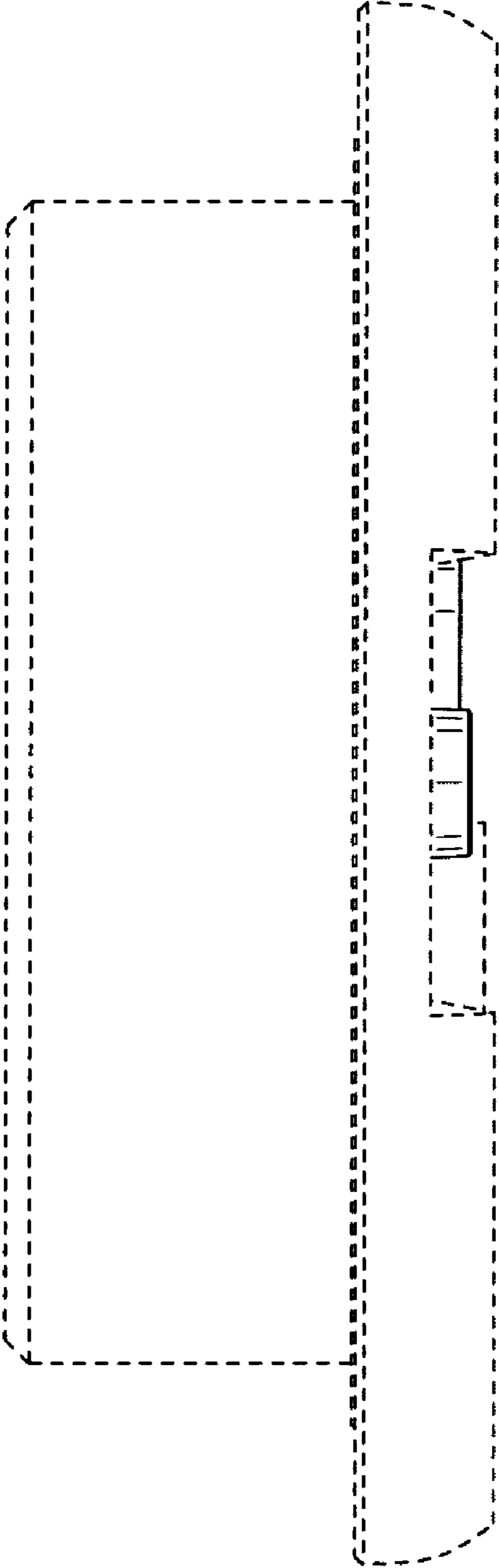


FIG.4

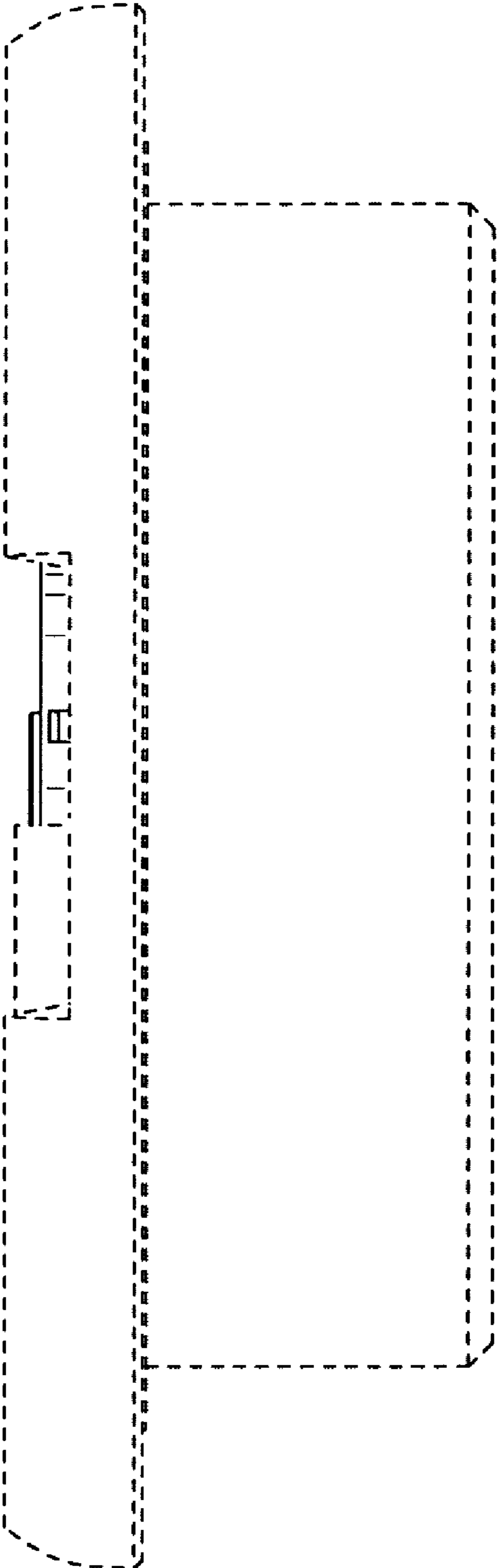


FIG.5

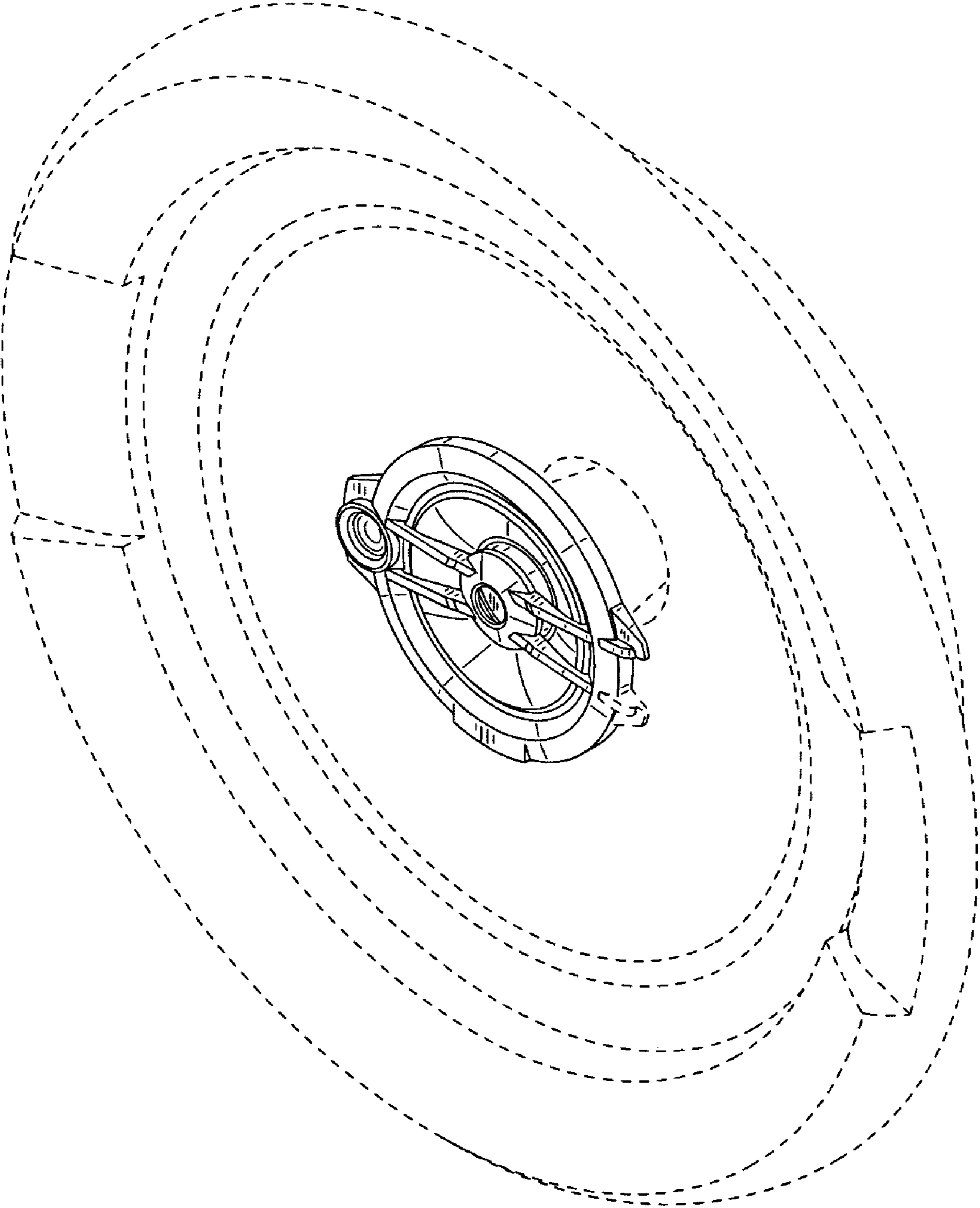


FIG.6

