



US00D593071S

(12) **United States Design Patent**
Laituri et al.

(10) **Patent No.:** **US D593,071 S**

(45) **Date of Patent:** **** *May 26, 2009**

(54) **SPEAKER FOR PORTABLE AUDIO PLAYER**

D319,243 S *	8/1991	Yamakawa	D14/216
D440,557 S *	4/2001	Su	D14/215
D484,492 S *	12/2003	Welker et al.	D14/216
D523,419 S *	6/2006	Joseph	D14/214
D524,799 S *	7/2006	Hibi	D14/216

(75) Inventors: **David Laituri**, Wayland, MA (US);
James D. TerMeer, Concord, NH (US)

(73) Assignee: **Brookstone Purchasing, Inc.**,
Merrimack, NH (US)

* cited by examiner

(*) Notice: This patent is subject to a terminal disclaimer.

Primary Examiner—Nanda Bondade
(74) *Attorney, Agent, or Firm*—Grossman Tucker Perreault & Pflieger, PLLC

(**) Term: **14 Years**

(57) **CLAIM**

(21) Appl. No.: **29/267,934**

The ornamental design for a speaker for portable audio player, as shown and described.

(22) Filed: **Oct. 25, 2006**

(51) **LOC (9) Cl.** **14-01**

(52) **U.S. Cl.** **D14/216**

(58) **Field of Classification Search** D14/204,
D14/207, 209–216, 168, 172, 496; 181/143–144,
181/147–148, 150, 157, 198–199, 151, 153;
381/300–302, 306, 333, 345, 361–364, 386–388,
381/332, 336; 455/130, 344, 573
See application file for complete search history.

DESCRIPTION

FIG. 1 is a front perspective view of a speaker for portable audio player showing our new design;
FIG. 2 is front elevational view thereof;
FIG. 3 is a side elevational view thereof;
FIG. 4 is a top perspective view thereof; and,
FIG. 5 is a bottom plan view thereof.

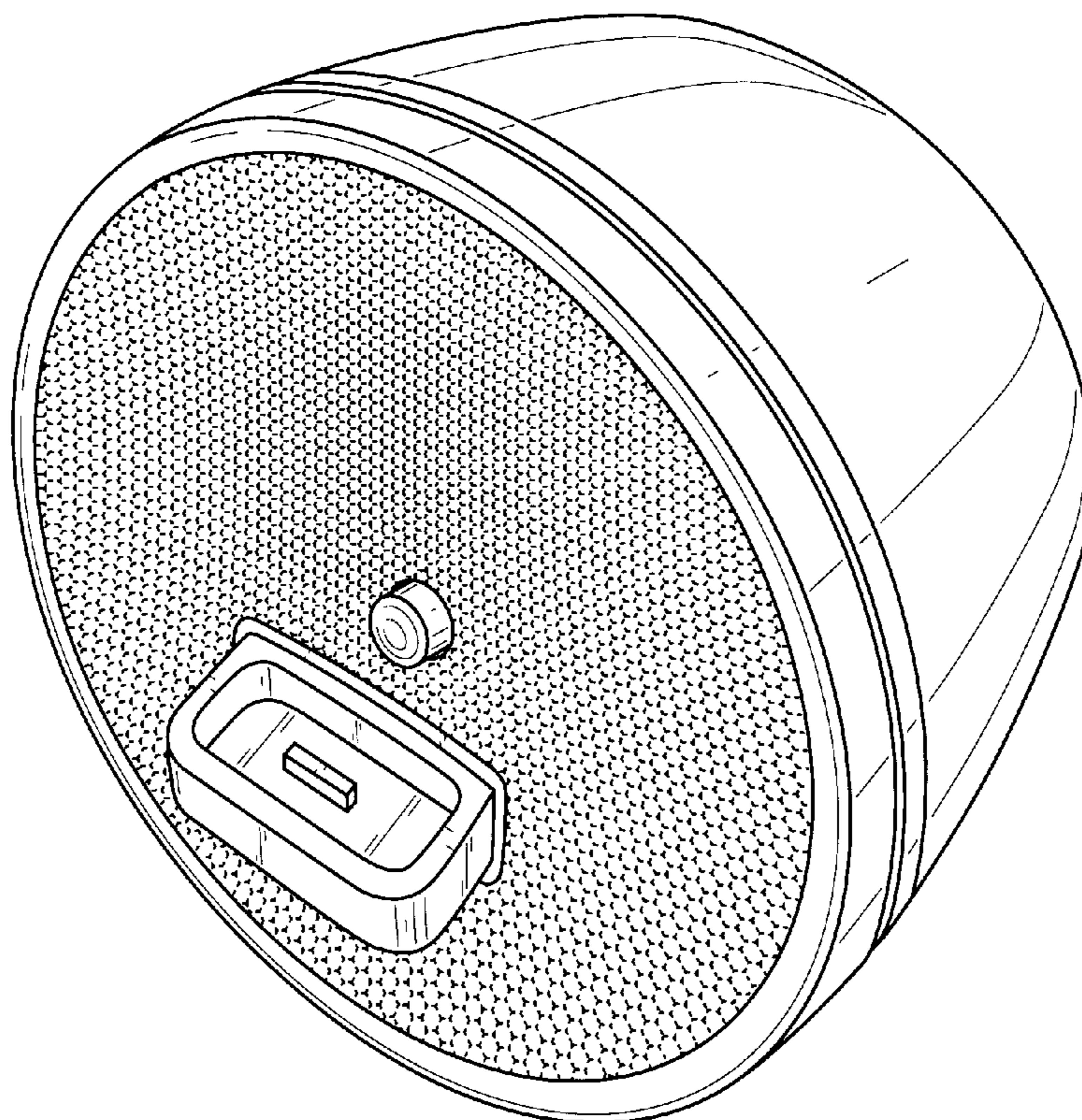
The broken line showing on the drawing disclosure is for illustrative purposes only and forms no part of the claimed design.

(56) **References Cited**

U.S. PATENT DOCUMENTS

D302,818 S *	8/1989	Camens	D14/219
D315,562 S *	3/1991	Brown	D14/213

1 Claim, 5 Drawing Sheets



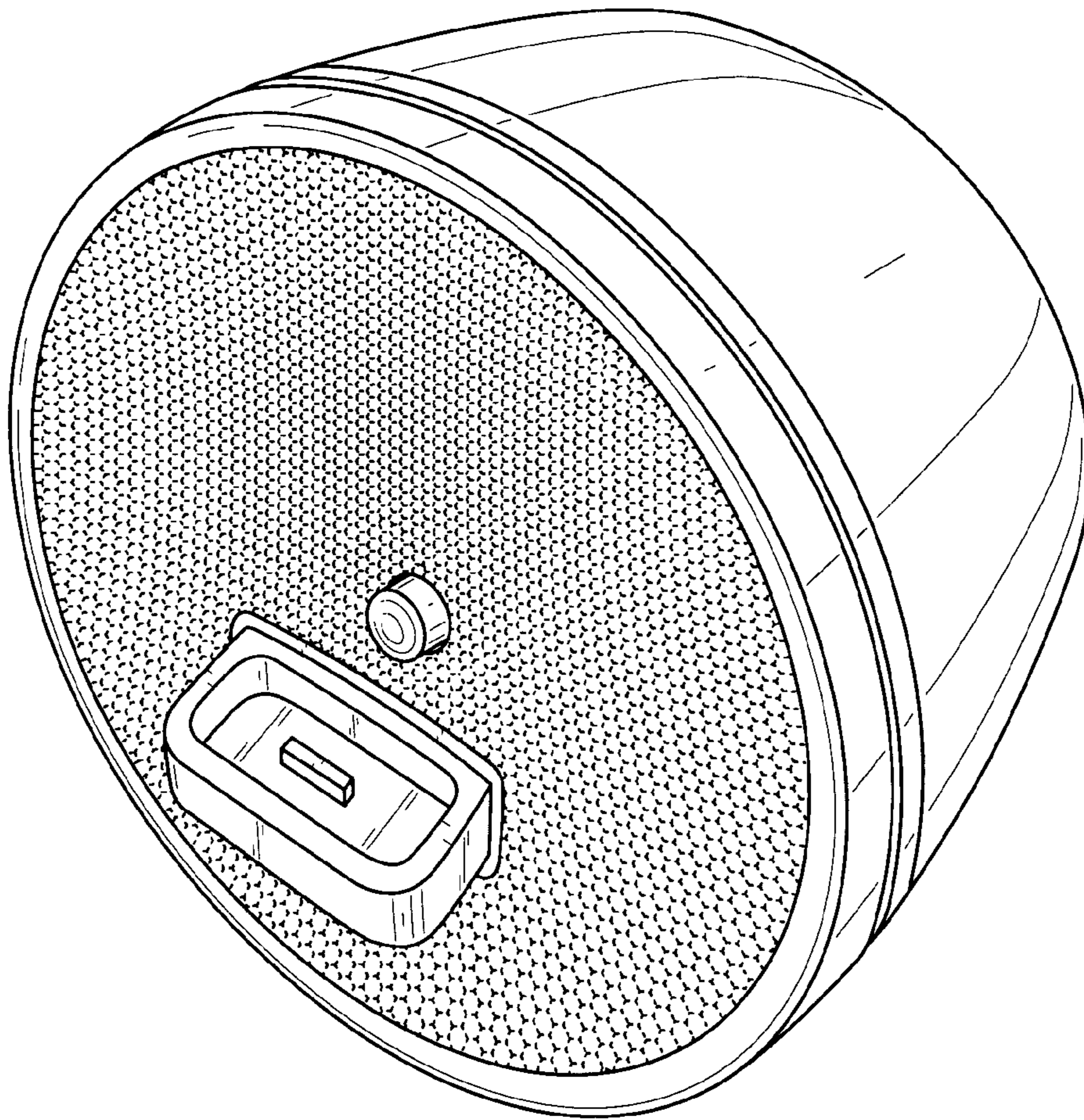


FIG. 1

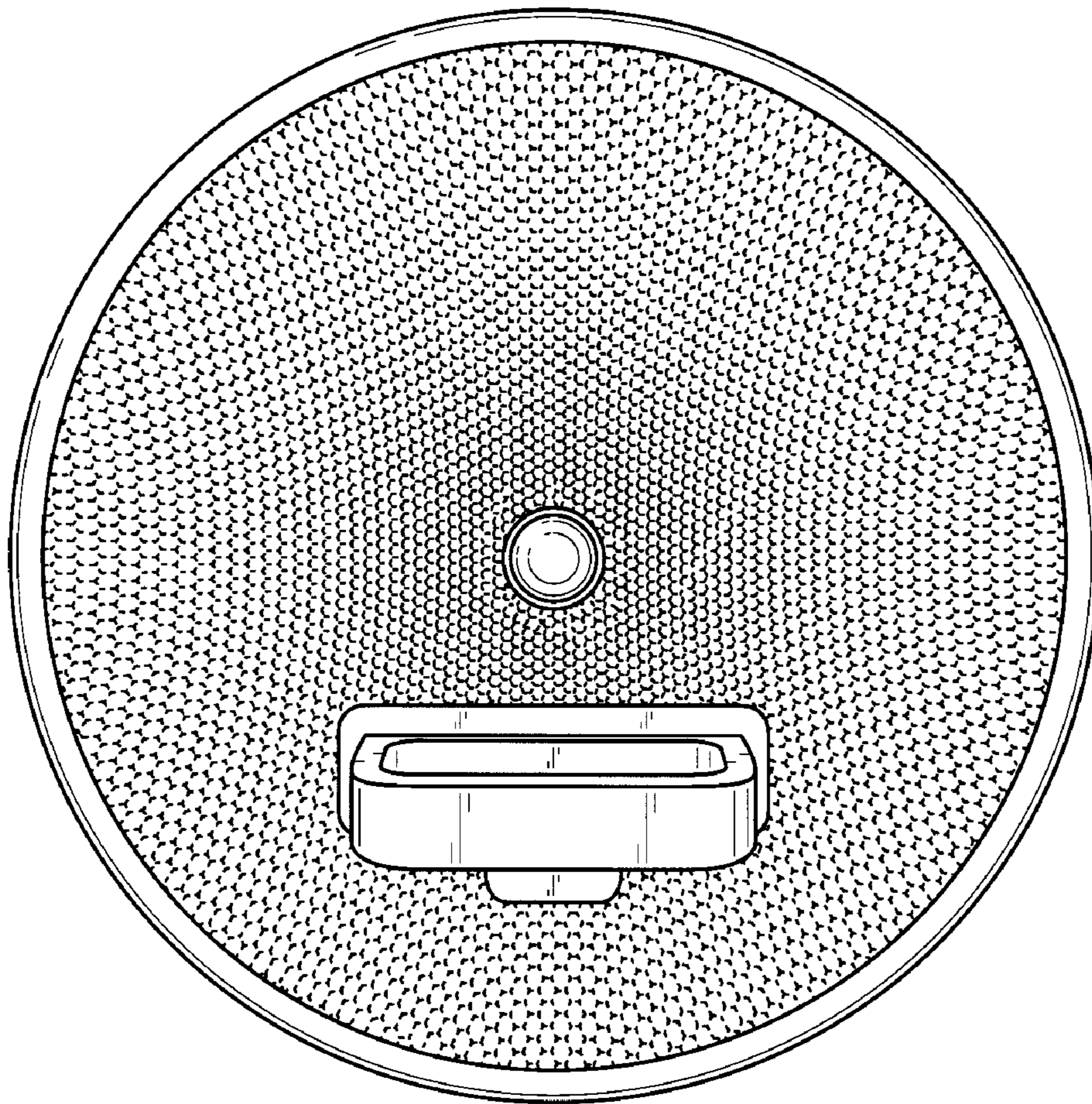


FIG. 2

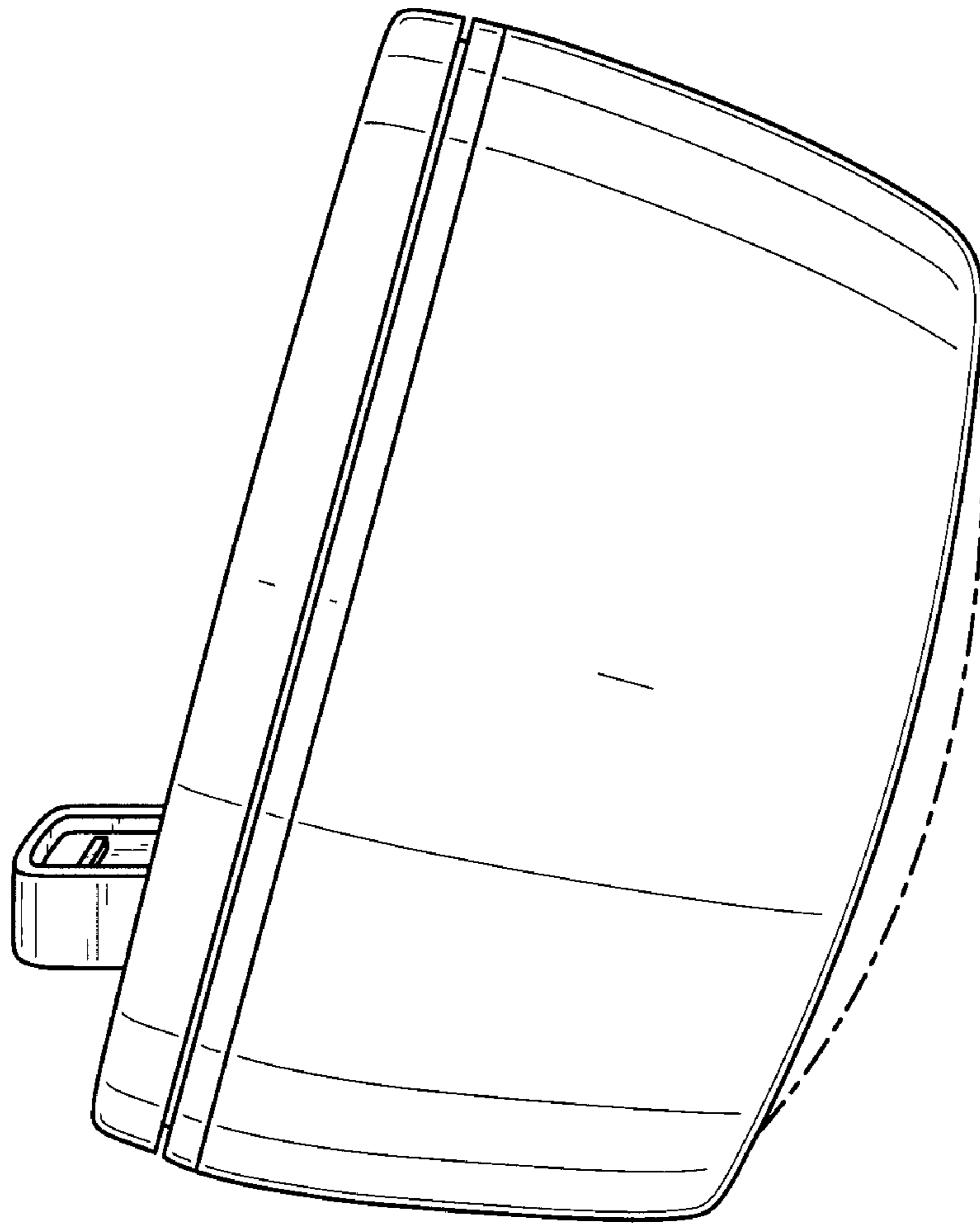


FIG. 3

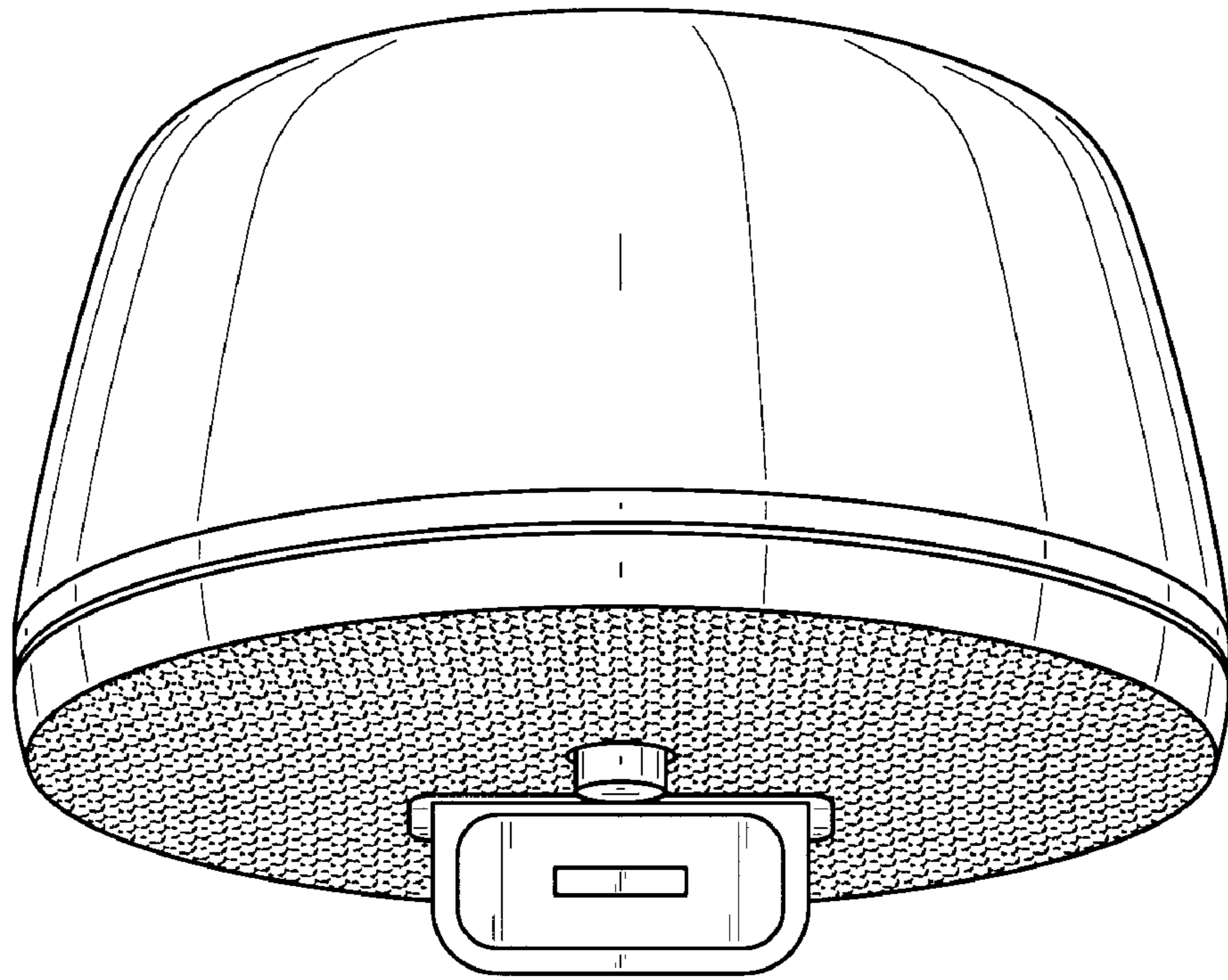


FIG. 4

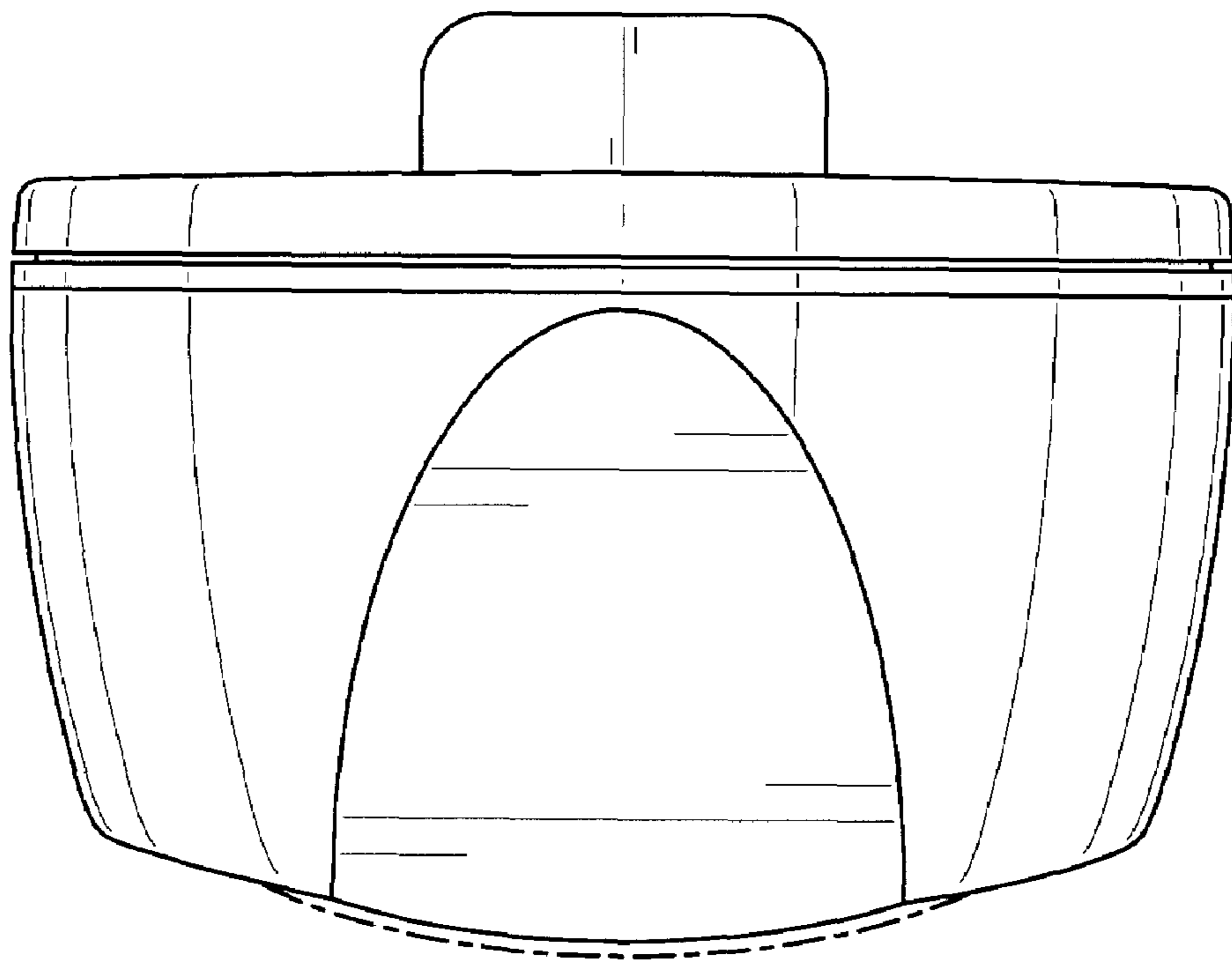


FIG. 5