

US00D593070S

(12) **United States Design Patent**  
**Komiyama**

(10) **Patent No.:** **US D593,070 S**

(45) **Date of Patent:** **\*\* May 26, 2009**

(54) **SPEAKER BOX**

(75) Inventor: **Jun Komiyama**, Tokyo (JP)

(73) Assignee: **Sony Corporation**, Tokyo (JP)

(\*\*) Term: **14 Years**

(21) Appl. No.: **29/309,228**

(22) Filed: **Jul. 10, 2008**

(30) **Foreign Application Priority Data**

Jan. 10, 2008 (JP) ..... D2008-000335

(51) **LOC (9) Cl.** ..... **14-01**

(52) **U.S. Cl.** ..... **D14/215**

(58) **Field of Classification Search** ..... D14/204,  
D14/210-216, 172; 181/143-144, 147-148,  
181/150-153, 157, 198-199; 381/300-303,  
381/306, 332-333, 336, 345, 361-364, 386-388  
See application file for complete search history.

(56) **References Cited**

**U.S. PATENT DOCUMENTS**

D468,291 S \* 1/2003 Solland ..... D14/215  
D483,349 S 12/2003 Murakami  
D489,055 S 4/2004 Yamada

D491,167 S 6/2004 Yokoyama  
D524,799 S 7/2006 Hibi  
D525,236 S 7/2006 Hibi  
D532,771 S \* 11/2006 Motoishi ..... D14/221  
D534,157 S 12/2006 Yokoyama  
D534,158 S 12/2006 Yokoyama  
D536,693 S 2/2007 Komiyama

\* cited by examiner

*Primary Examiner*—Nanda Bondade

(74) *Attorney, Agent, or Firm*—Rader, Fishman & Grauer, PLLC

(57) **CLAIM**

The ornamental design for a speaker box, as shown and described.

**DESCRIPTION**

FIG. 1 is a perspective view of a speaker box showing my new design;

FIG. 2 is a front elevational view thereof;

FIG. 3 is a right side elevational view thereof;

FIG. 4 is a left side elevational view thereof;

FIG. 5 is a top plan view thereof; and,

FIG. 6 is a bottom plan view thereof.

**1 Claim, 6 Drawing Sheets**

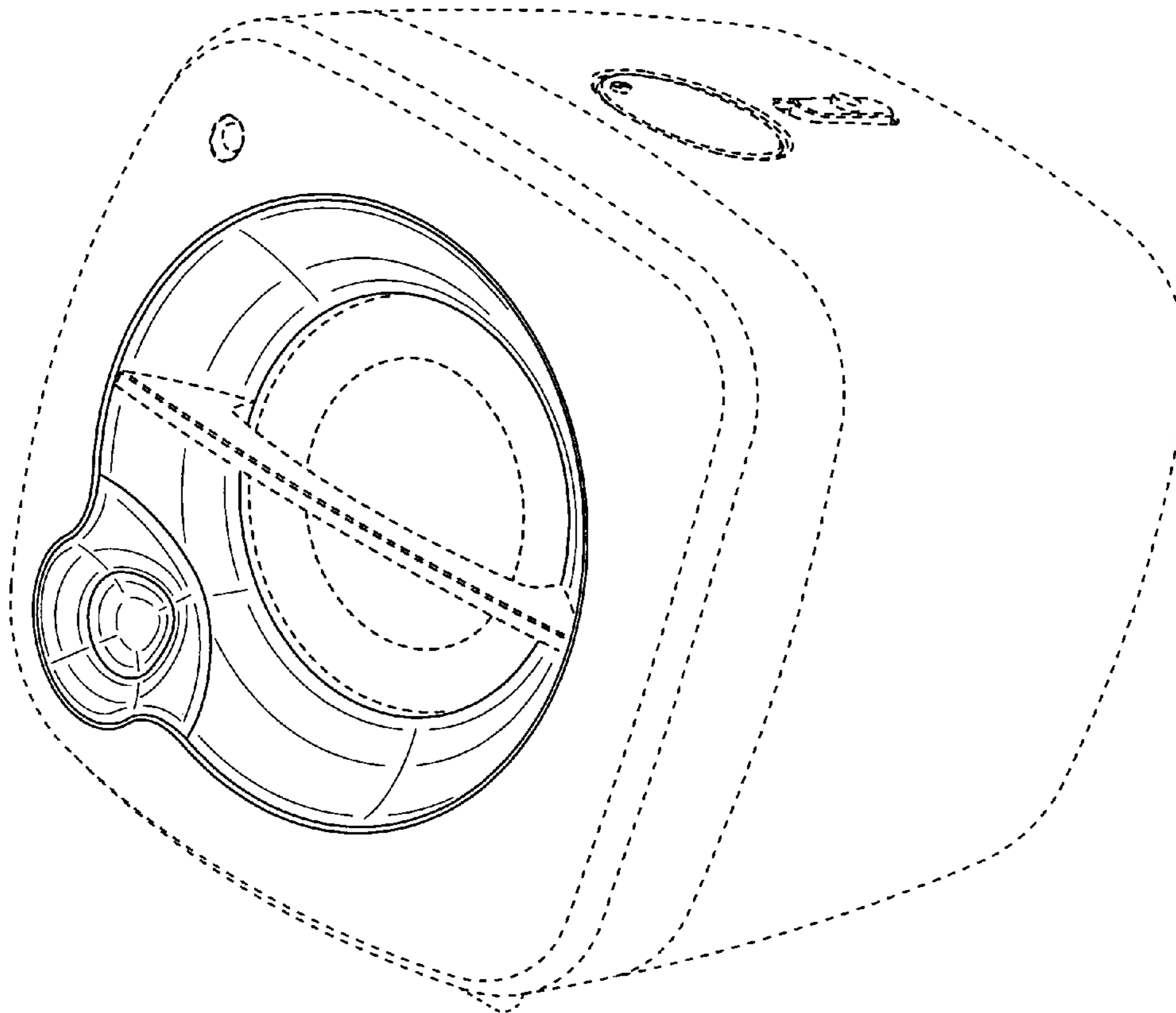


FIG.1

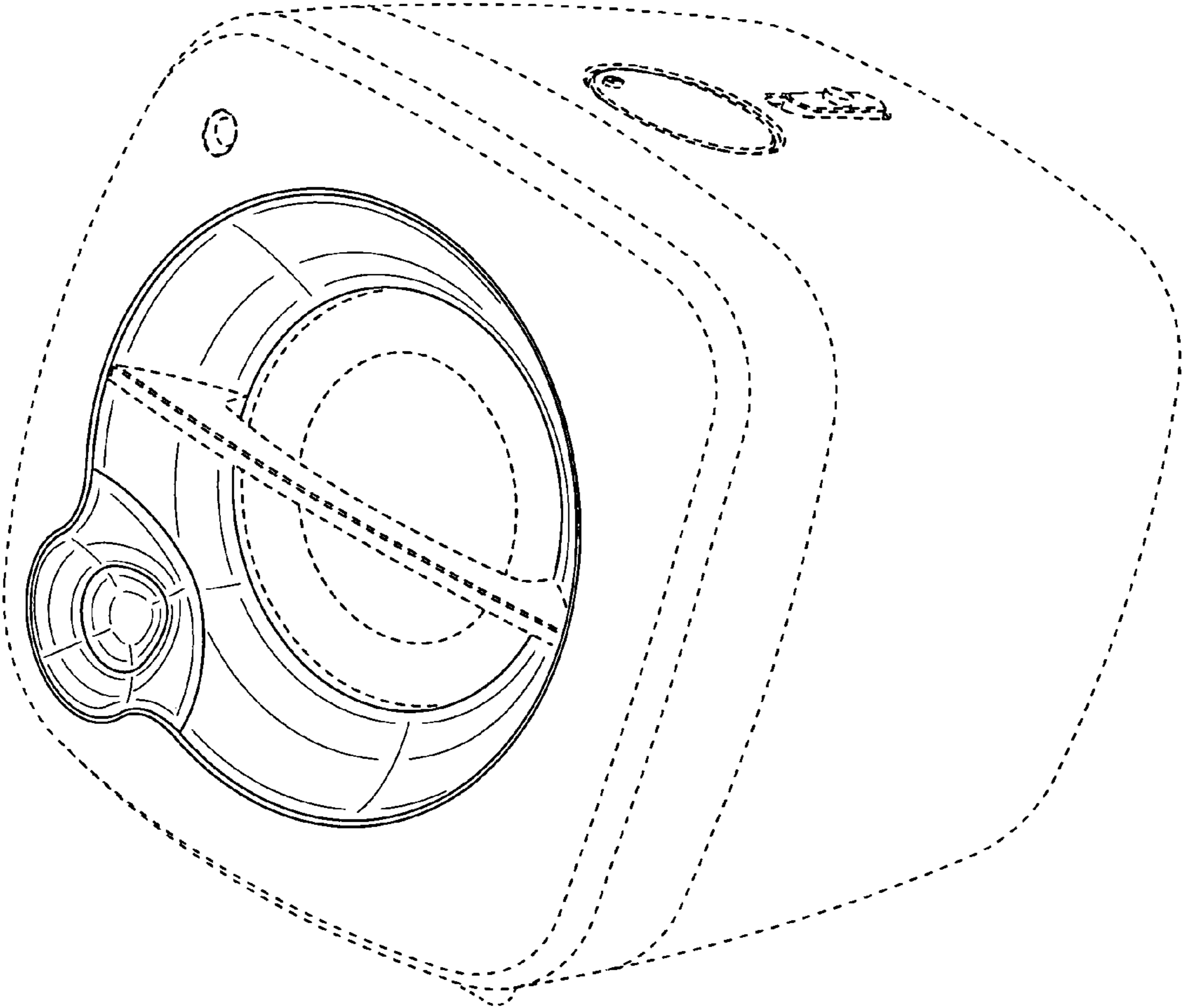


FIG.2

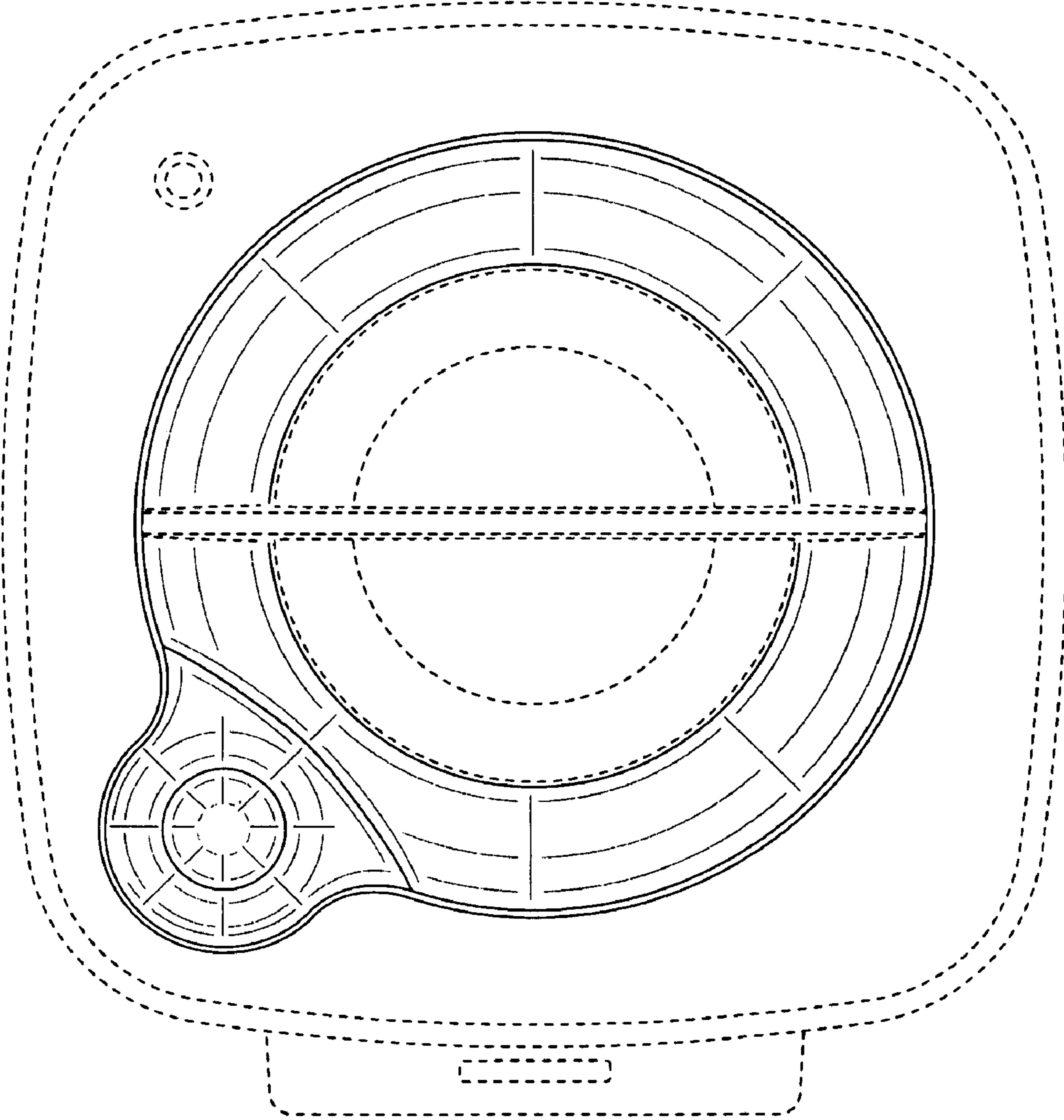


FIG.3

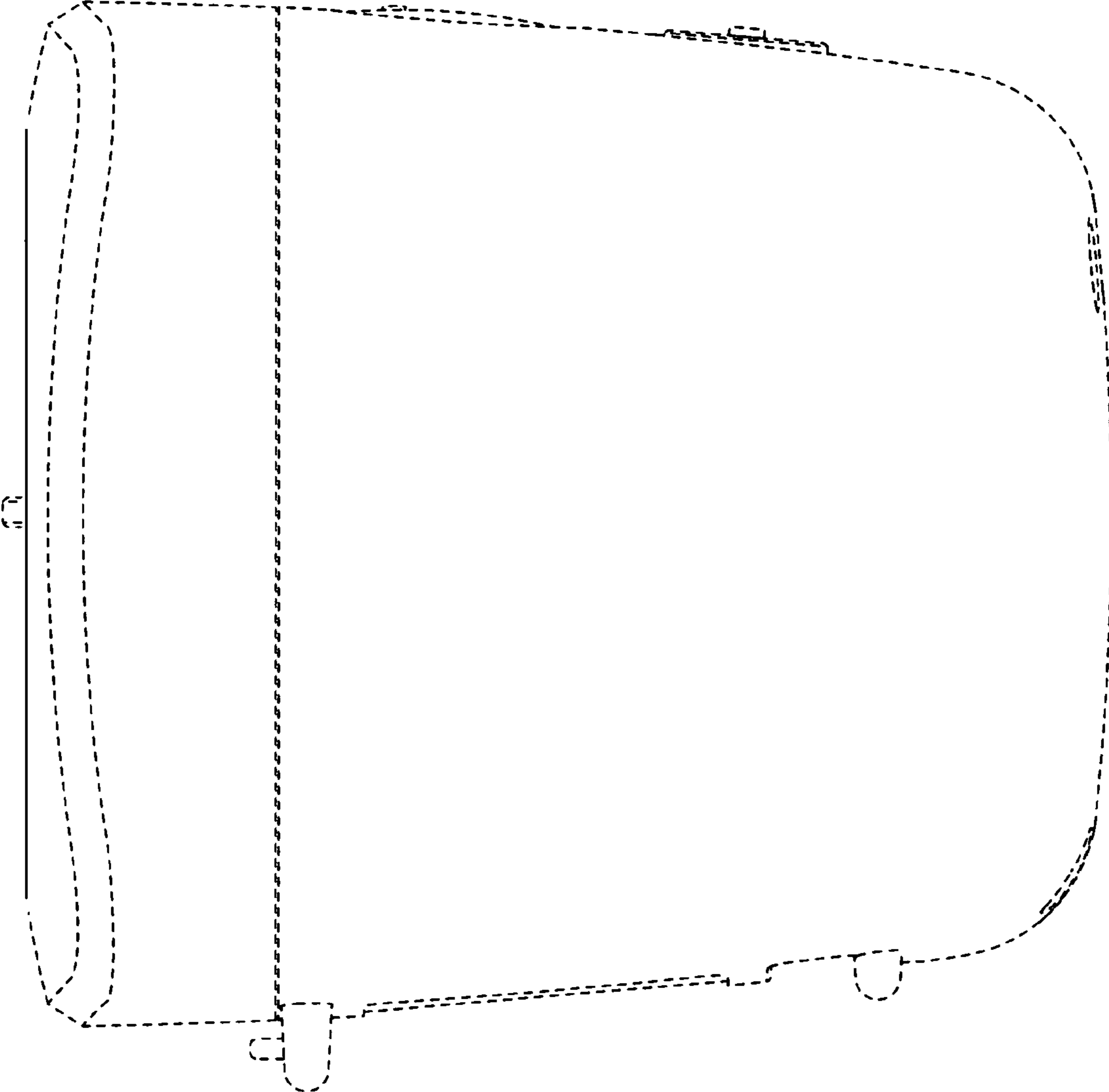


FIG.4

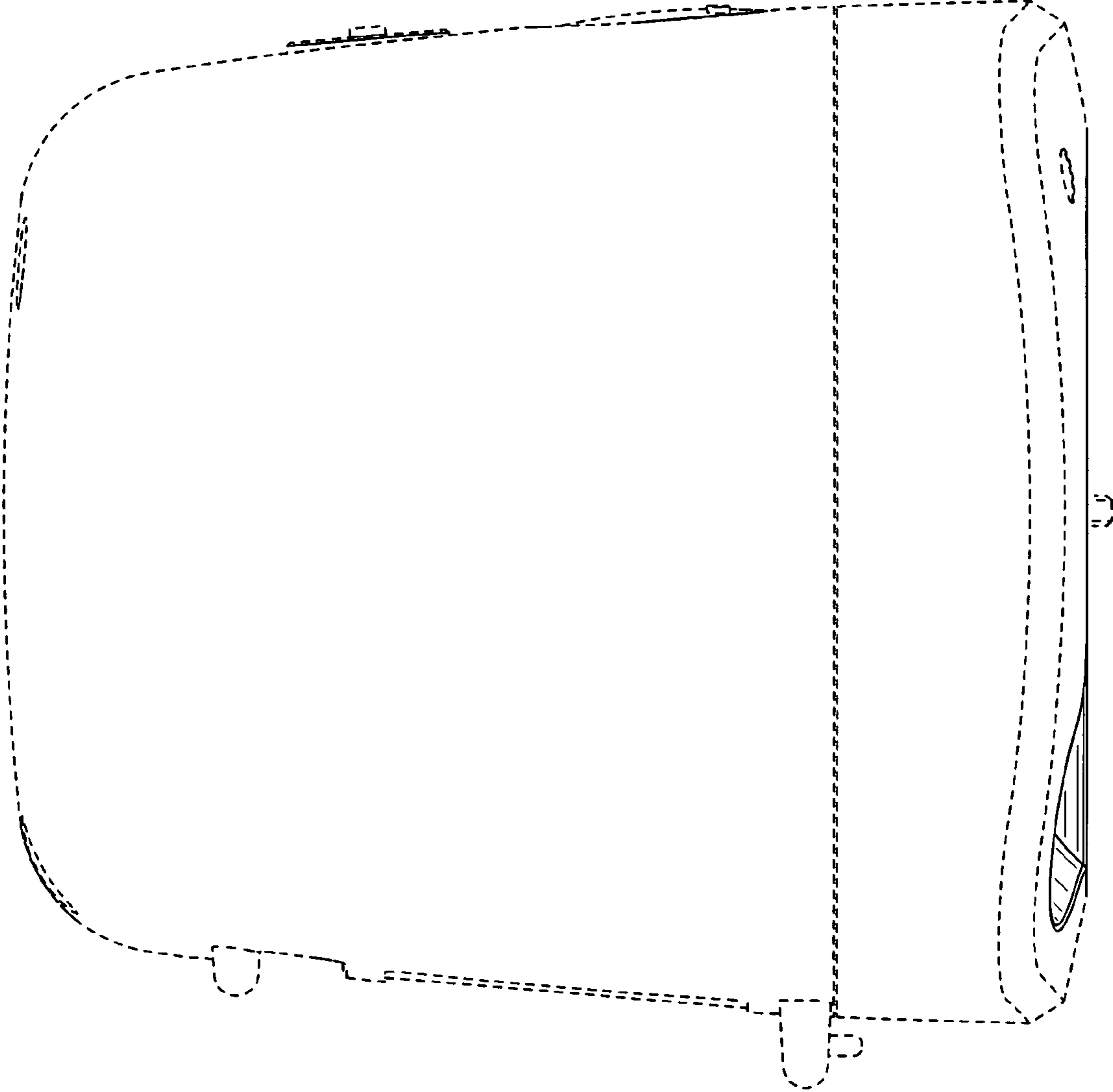


FIG.5

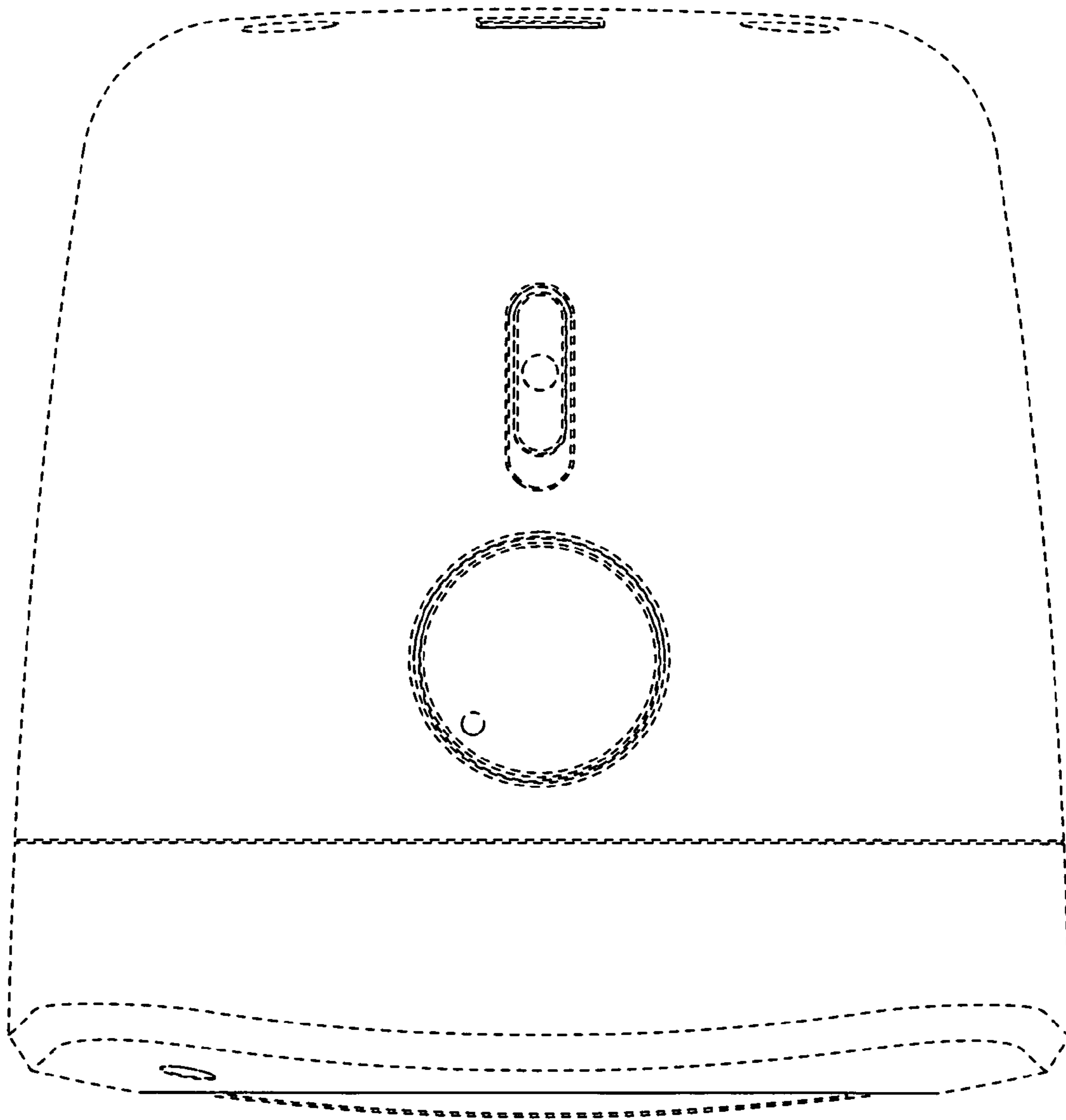


FIG.6

