



US00D593065S

(12) **United States Design Patent**  
**Codina**

(10) **Patent No.:** **US D593,065 S**

(45) **Date of Patent:** **\*\* May 26, 2009**

(54) **INTERCOM**

(75) Inventor: **Xavier Mateu Codina**, Terrassa (ES)

(73) Assignee: **MAT Communication Solutions, S.A.**,  
Terrassa (ES)

(\*\*) Term: **14 Years**

(21) Appl. No.: **29/317,377**

(22) Filed: **Apr. 29, 2008**

(30) **Foreign Application Priority Data**

Oct. 30, 2007 (EM) ..... 817309

(51) **LOC (9) Cl.** ..... **14-99**

(52) **U.S. Cl.** ..... **D14/159**

(58) **Field of Classification Search** ..... D14/162,  
D14/159, 130, 158, 142, 233, 167, 218; D13/177,  
D13/168; 713/182; 455/575.2; 379/176,  
379/167.14, 167.05, 156, 155; 348/156;  
340/326; D10/106; 381/375; D3/266, 247  
See application file for complete search history.

(56) **References Cited**

**U.S. PATENT DOCUMENTS**

D354,489 S *	1/1995	Patton et al.	.....	D14/218
D375,909 S *	11/1996	Dziersk et al.	.....	D10/106
D427,994 S *	7/2000	Pirelli	.....	D14/223
D437,113 S *	2/2001	Koehler	.....	D3/219
D438,002 S *	2/2001	Lin	.....	D3/265
D448,563 S *	10/2001	Kim	.....	D3/266
D452,520 S *	12/2001	Gotham et al.	.....	D16/235
D456,606 S *	5/2002	Kim	.....	D3/266
D478,576 S *	8/2003	Leong	.....	D14/240
D495,665 S *	9/2004	Stekelenburg	.....	D13/168
D500,015 S *	12/2004	Gubbe	.....	D13/168
D509,356 S *	9/2005	Kushner	.....	D3/266
D509,823 S *	9/2005	Han et al.	.....	D14/223

D512,991 S *	12/2005	Yano	.....	D14/223
7,020,300 B1 *	3/2006	Villaverde	.....	381/375
D526,966 S *	8/2006	Chen	.....	D13/168
D541,262 S *	4/2007	Ma	.....	D14/223
D549,211 S *	8/2007	Oas	.....	D14/167
D553,355 S *	10/2007	Mosteller	.....	D3/247
D555,150 S *	11/2007	Christopher et al.	.....	D14/223
D562,808 S *	2/2008	Gwee	.....	D14/223
D563,906 S *	3/2008	Cheng	.....	D13/168
D576,612 S *	9/2008	Wilson et al.	.....	D14/228
D578,497 S *	10/2008	Weinzierl et al.	.....	D14/138 R

\* cited by examiner

*Primary Examiner*—Cathron C Brooks

*Assistant Examiner*—Austin Murphy

(74) *Attorney, Agent, or Firm*—Sughrue Mion, PLLC

(57) **CLAIM**

The ornamental design for an intercom, as shown.

**DESCRIPTION**

FIG. 1 is a perspective view of the top, front and left side of an intercom showing my new design, with a driving body separated from a fixing body;

FIG. 2 is a bottom view of the intercom with the driving body fixed to the fixing body;

FIG. 3 is a top elevational view of the intercom with the driving body fixed to the fixing body;

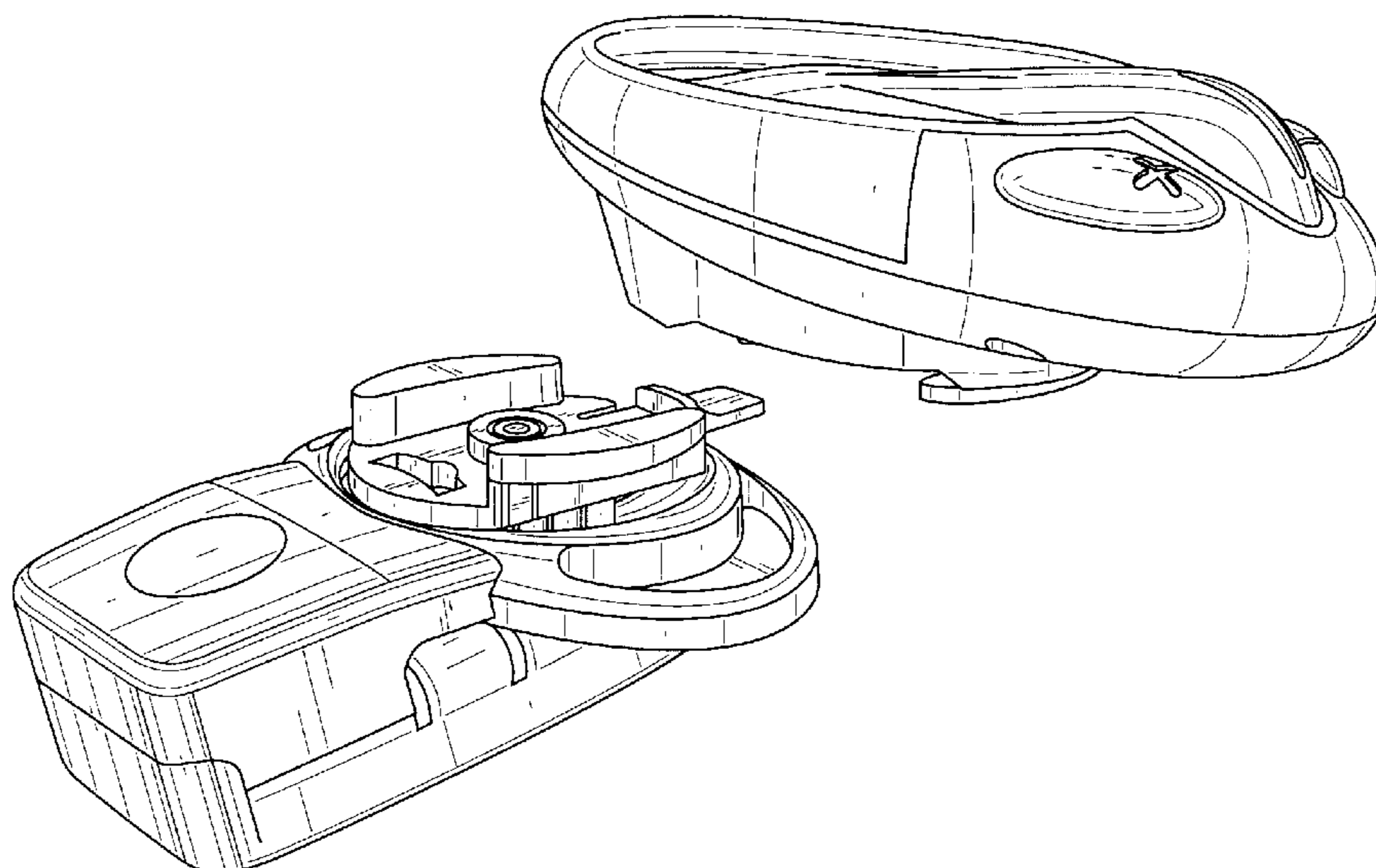
FIG. 4 is a right side view of the intercom with the driving body fixed to the fixing body;

FIG. 5 is a left side view of the intercom with the driving body fixed to the fixing body;

FIG. 6 is a rear view of the intercom with the driving body fixed to the fixing body; and,

FIG. 7 is a front view of the intercom with the driving body fixed to the fixing body.

**1 Claim, 7 Drawing Sheets**



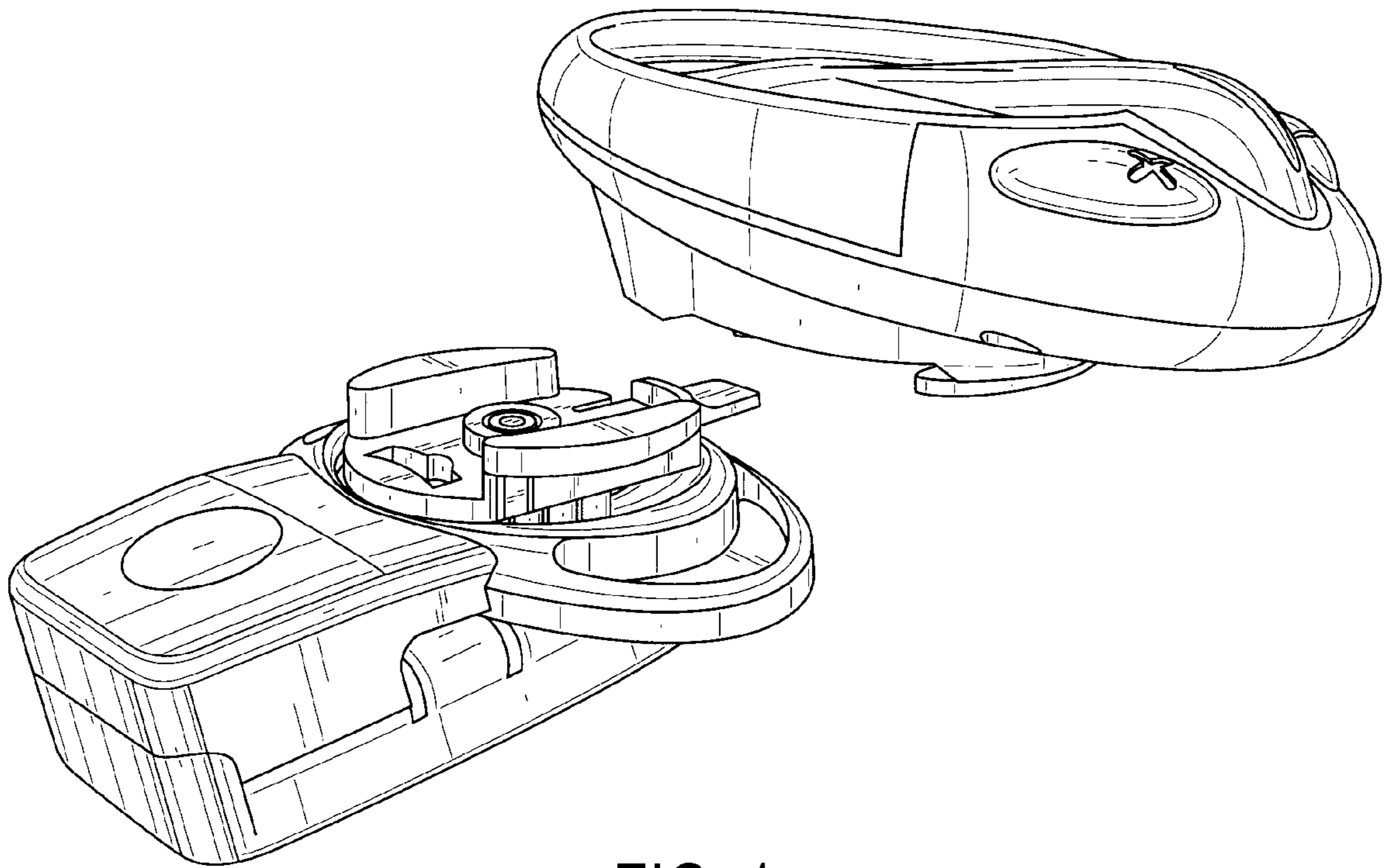


FIG. 1

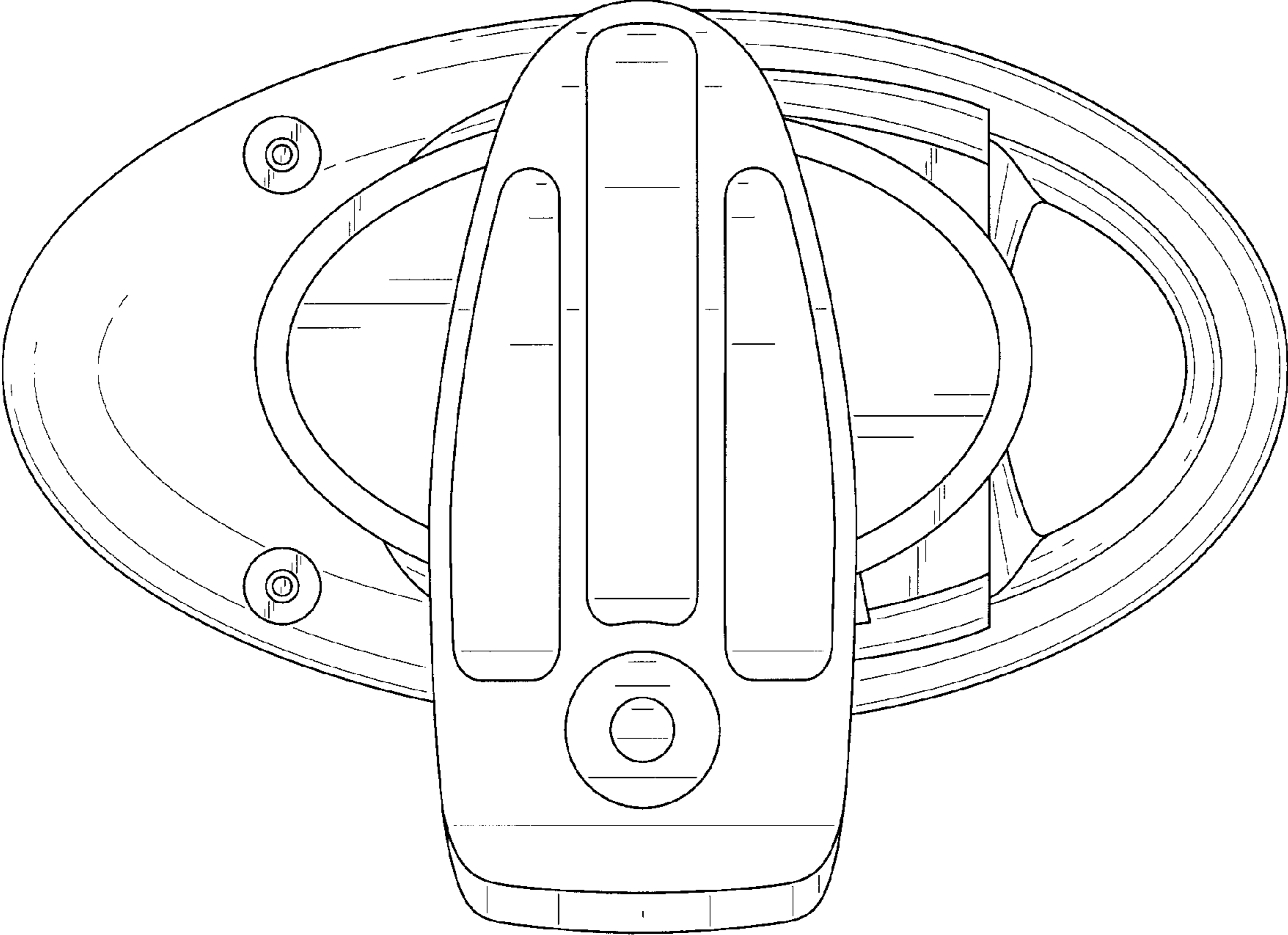


FIG. 2

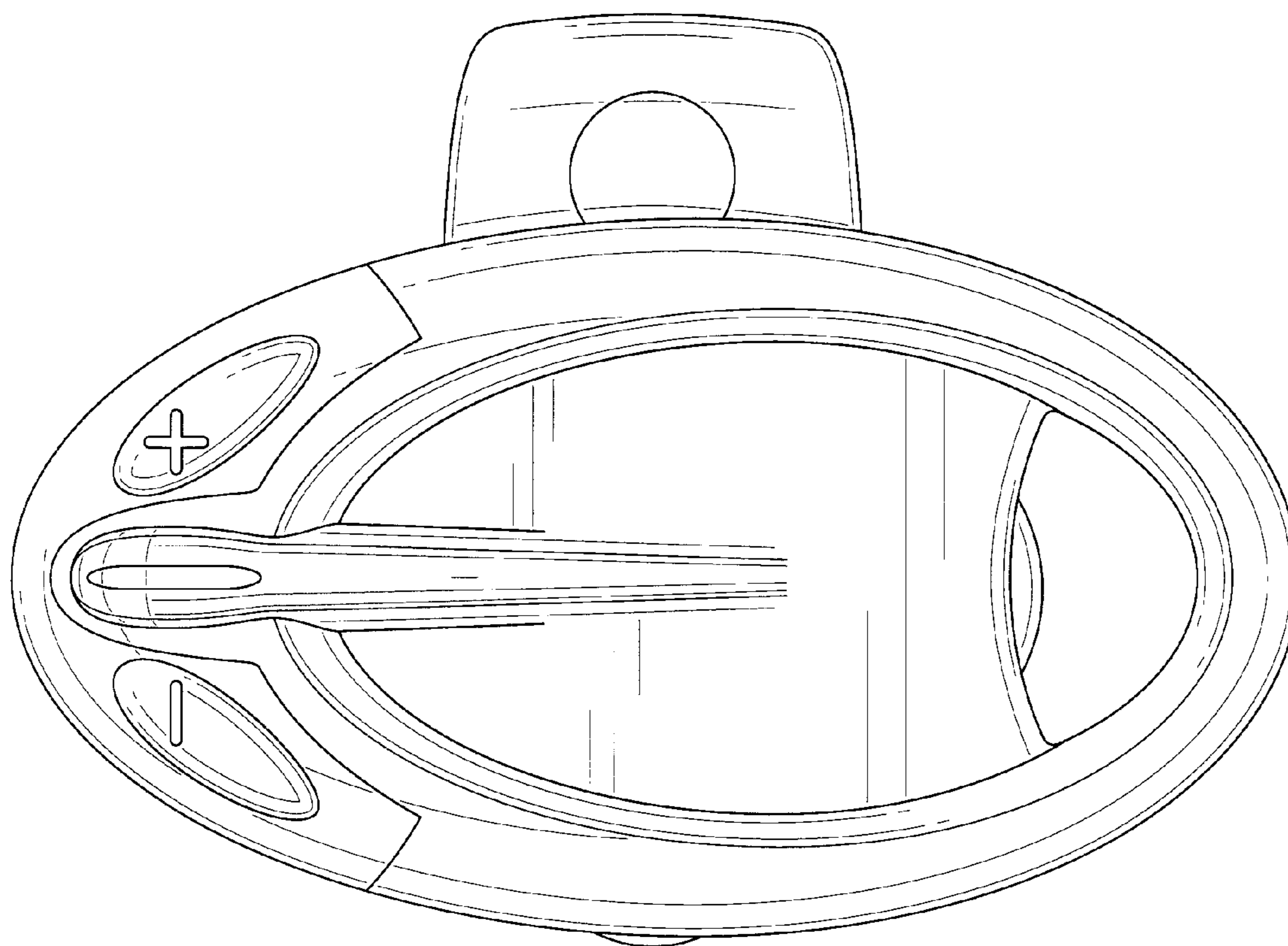


FIG. 3



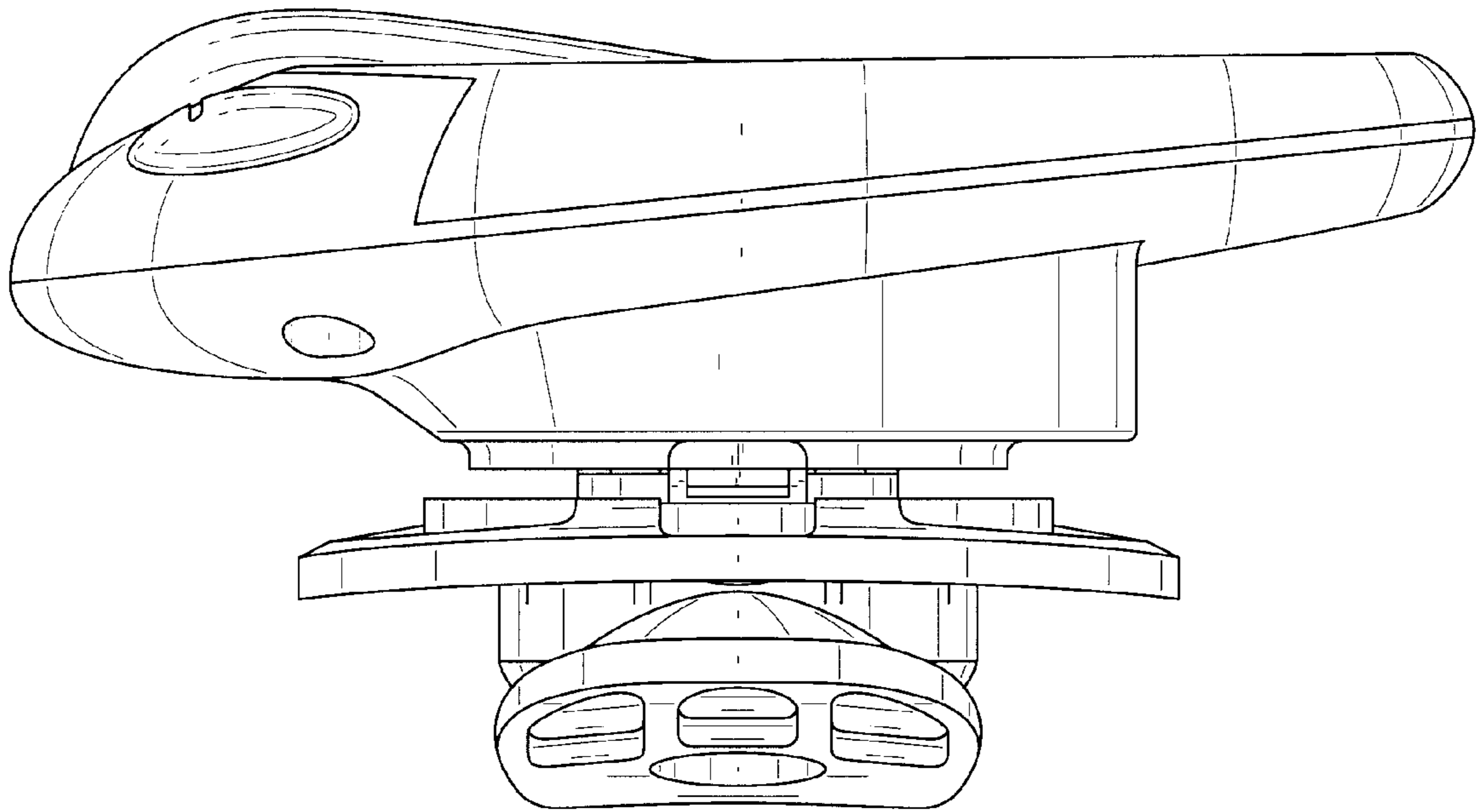


FIG. 4

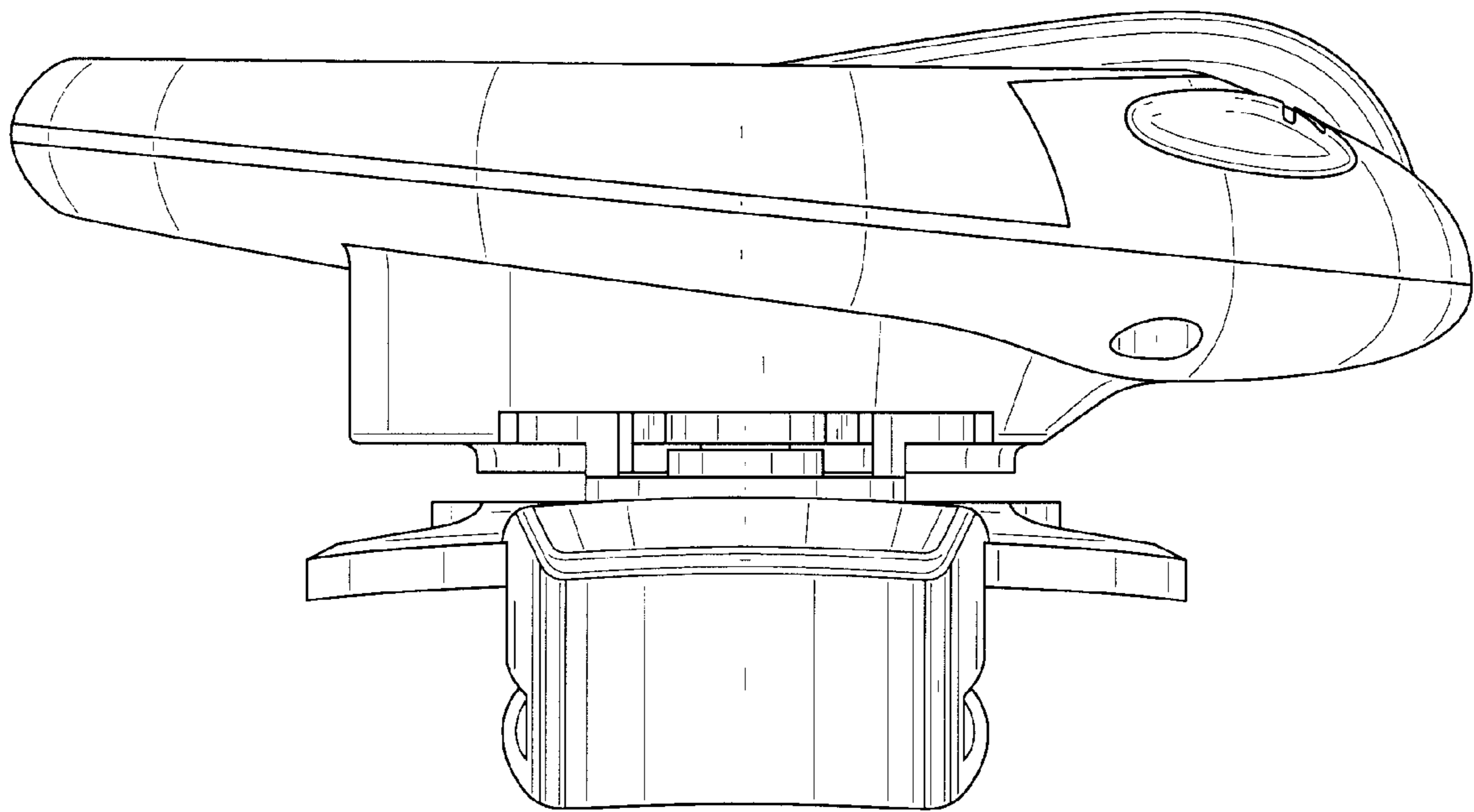


FIG. 5

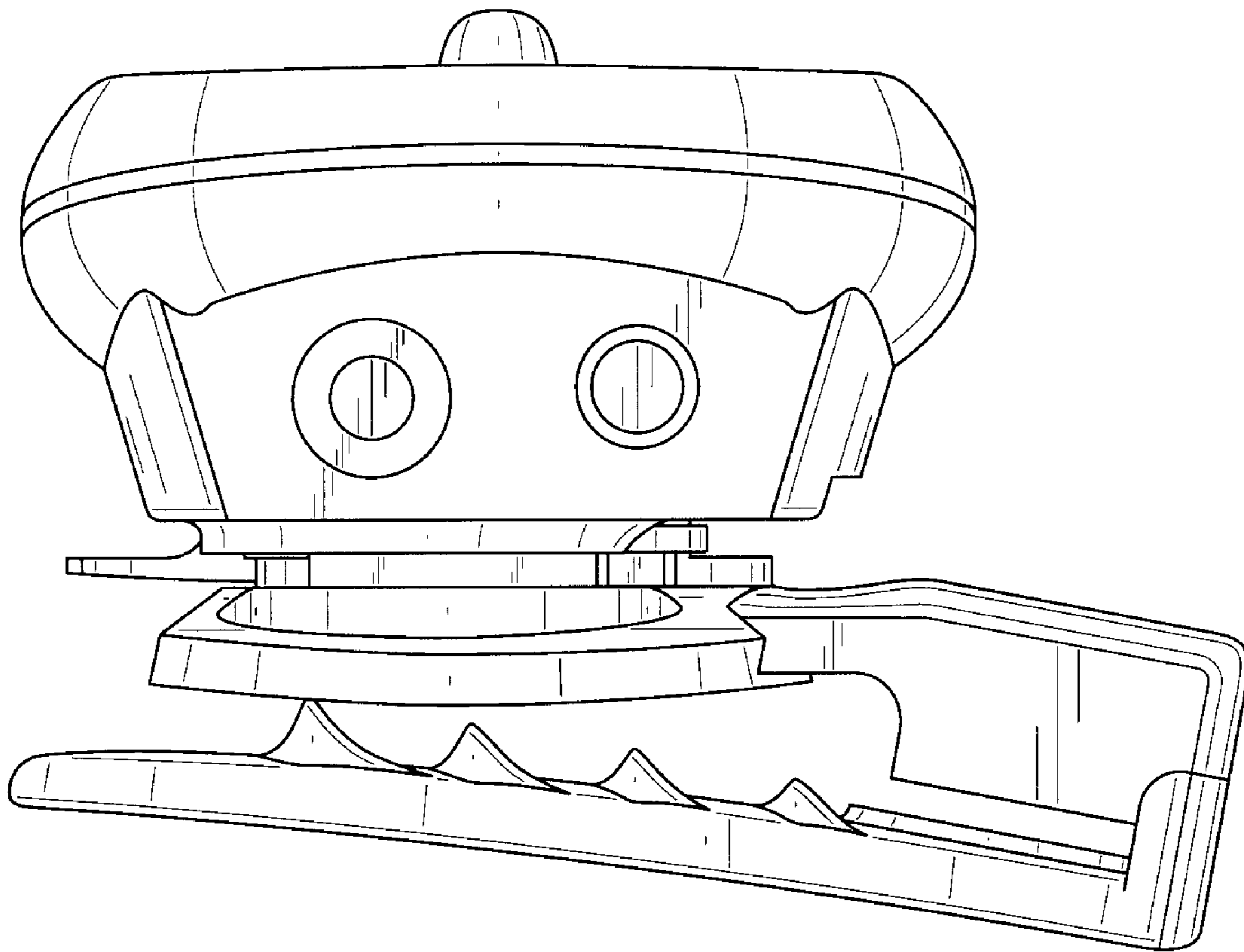


FIG. 6

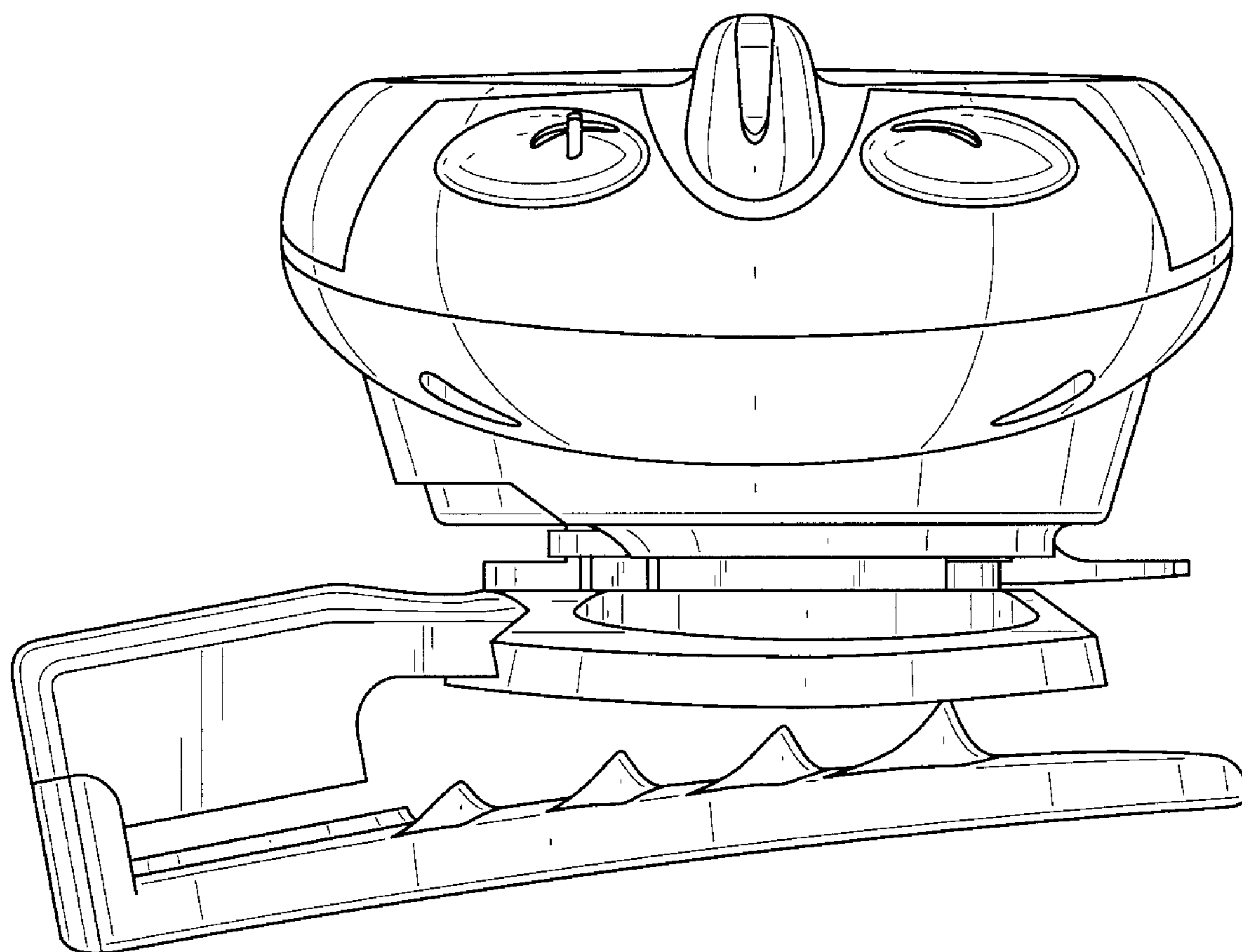


FIG. 7