



US00D593064S

(12) **United States Design Patent**  
**Sutherland et al.**

(10) **Patent No.:** **US D593,064 S**

(45) **Date of Patent:** **\*\* May 26, 2009**

(54) **COMMUNICATION DEVICE**

(75) Inventors: **Tim Sutherland**, Gurnee, IL (US);  
**Christopher A. Arnholt**, Highland Park,  
IL (US)

(73) Assignee: **Motorola, Inc.**, Schaumburg, IL (US)

(\*\*) Term: **14 Years**

(21) Appl. No.: **29/326,640**

(22) Filed: **Oct. 22, 2008**

(51) **LOC (9) Cl.** ..... **14-03**

(52) **U.S. Cl.** ..... **D14/138 AB**

(58) **Field of Classification Search** ..... D14/138 AB,  
D14/496, 341–347; 455/575.3  
See application file for complete search history.

(56) **References Cited**

**U.S. PATENT DOCUMENTS**

D493,789 S \* 8/2004 Takuma ..... D14/345

(Continued)

**OTHER PUBLICATIONS**

Motorola W270 telephone, announced Jan. 2008, [online], [site visited Dec. 19, 2008]. Available from Internet ,<URL: <http://www.gsmarena.com>>.\*

Motorola RAZR2 V8 telephone, announced May 2007, [online], [site visited Dec. 19, 2008]. Available from Internet ,<URL: <http://www.gsmarena.com>>.\*

Samsung G400 Soul telephone, announced Mar. 2008, [online], [site visited Dec. 19, 2008]. Available from Internet ,<URL: <http://www.gsmarena.com>>.\*

Sony Ericsson W980 telephone, announced Feb. 2008, [online], [site visited Dec. 19, 2008]. Available from Internet ,<URL: <http://www.gsmarena.com>>.\*

BlackBerry Pearl Flip 8220 telephone, announced Sep. 2008, [online], [site visited Dec. 19, 2008]. Available from Internet ,<URL: <http://www.gsmarena.com>>.\*

BenQ E55 telephone, announced Jul. 2008, [online], [site visited Dec. 19, 2008]. Available from Internet ,<URL: <http://www.gsmarena.com>>.\*

*Primary Examiner*—Jeffrey D Asch

(57) **CLAIM**

The ornamental design for a communication device, as shown.

**DESCRIPTION**

FIG. 1 is a perspective view of a first embodiment of an ornamental design for a communication device;

FIG. 2 is a front view of the first embodiment thereof;

FIG. 3 is a rear view of the first embodiment thereof;

FIG. 4 is a first side view of the first embodiment thereof;

FIG. 5 is a second side view of the first embodiment thereof;

FIG. 6 is a top view of the first embodiment thereof; and

FIG. 7 is a bottom view of the first embodiment thereof.

FIG. 8 is a perspective view of a second embodiment of an ornamental design for a communication device;

FIG. 9 is a front view of the second embodiment thereof;

FIG. 10 is a rear view of the second embodiment thereof;

FIG. 11 is a first side view of the second embodiment thereof;

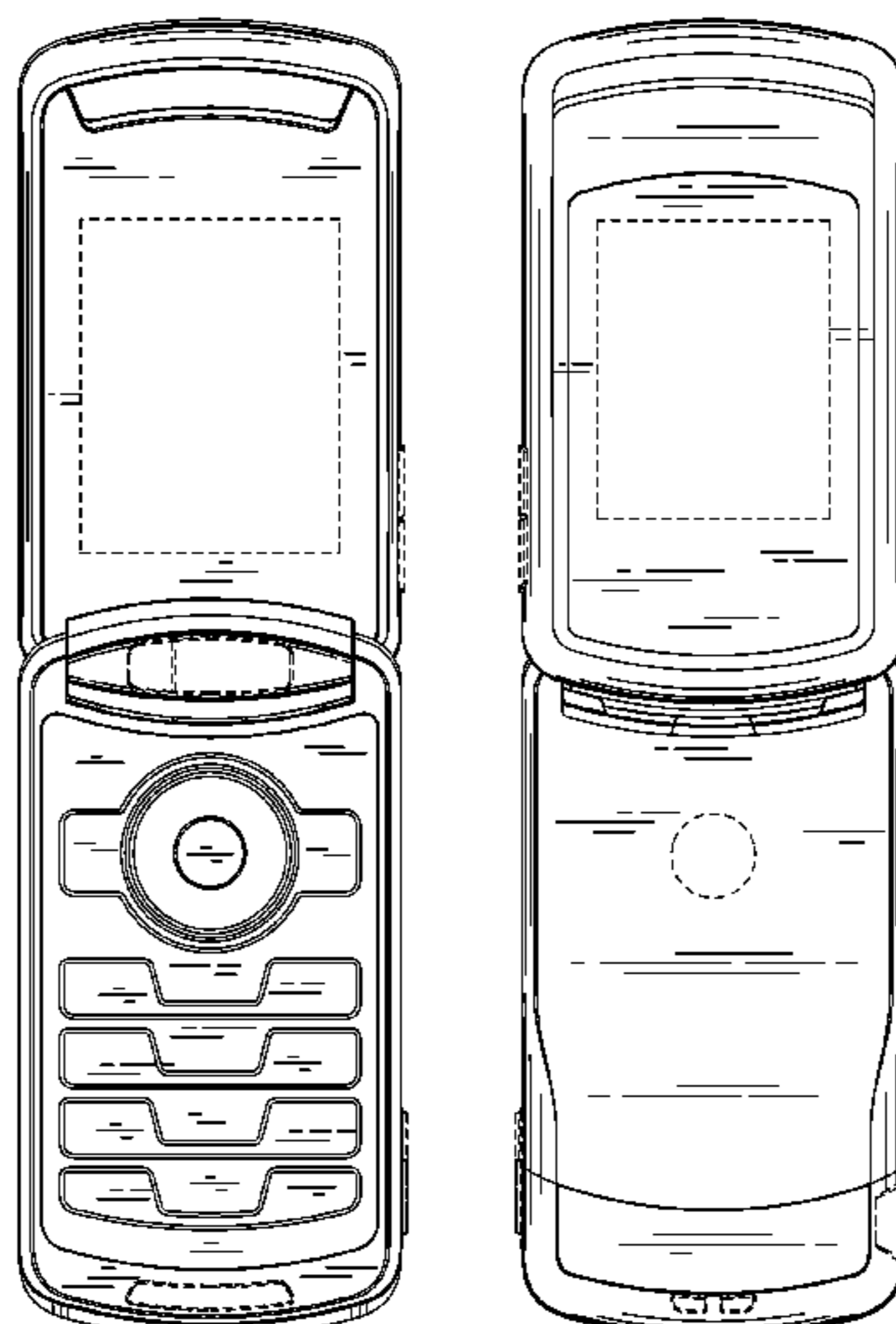
FIG. 12 is a second side view of the second embodiment thereof;

FIG. 13 is a top view of the second embodiment thereof; and,

FIG. 14 is a bottom view of the second embodiment thereof.

The broken lines shown in FIGS. 1–7 that are immediately adjacent to the shaded areas and define unshaded regions, represent the bounds of the first embodiment, while all other broken lines are directed to environment and are for illustrative purposes only; the broken lines form no part of the first embodiment.

**1 Claim, 8 Drawing Sheets**



# US D593,064 S

Page 2

## U.S. PATENT DOCUMENTS

D537,061 S *	2/2007	Oh .....	D14/138 AB	D578,097 S *	10/2008	Lee et al. ....	D14/138 AB
D554,094 S *	10/2007	Ribeiro et al. ....	D14/138 AB	D578,498 S *	10/2008	Choi et al. ....	D14/138 AB
D558,178 S *	12/2007	Kim et al. ....	D14/138 AA	D578,503 S *	10/2008	Shin et al. ....	D14/138 AD
D560,200 S *	1/2008	Mun et al. ....	D14/138 AA	D578,981 S *	10/2008	Park et al. ....	D14/138 R
D561,158 S *	2/2008	Heng et al. ....	D14/138 AB	D578,982 S *	10/2008	Jeong et al. ....	D14/138 R
D561,719 S *	2/2008	Cho et al. ....	D14/138 AB	D580,386 S *	11/2008	Cho et al. ....	D14/138 R
D563,375 S *	3/2008	Kim et al. ....	D14/138 AB	D582,877 S *	12/2008	Lee et al. ....	D14/138 AB
D563,376 S *	3/2008	Arnholt et al. ....	D14/138 AB	D582,879 S *	12/2008	Chung et al. ....	D14/138 R
D571,772 S *	6/2008	Kim et al. ....	D14/138	D583,351 S *	12/2008	Tkachuk .....	D14/138 AB
D573,569 S *	7/2008	Arnholt et al. ....	D14/138	2007/0015551 A1 *	1/2007	Iwama et al. ....	455/575.3
D574,804 S *	8/2008	Kim et al. ....	D14/138	2007/0167197 A1 *	7/2007	Fuke et al. ....	455/575.1
D576,137 S *	9/2008	Jeon et al. ....	D14/138 AB	2007/0178949 A1 *	8/2007	Sato et al. ....	455/575.3
D576,600 S *	9/2008	Kim et al. ....	D14/138 AB				

\* cited by examiner

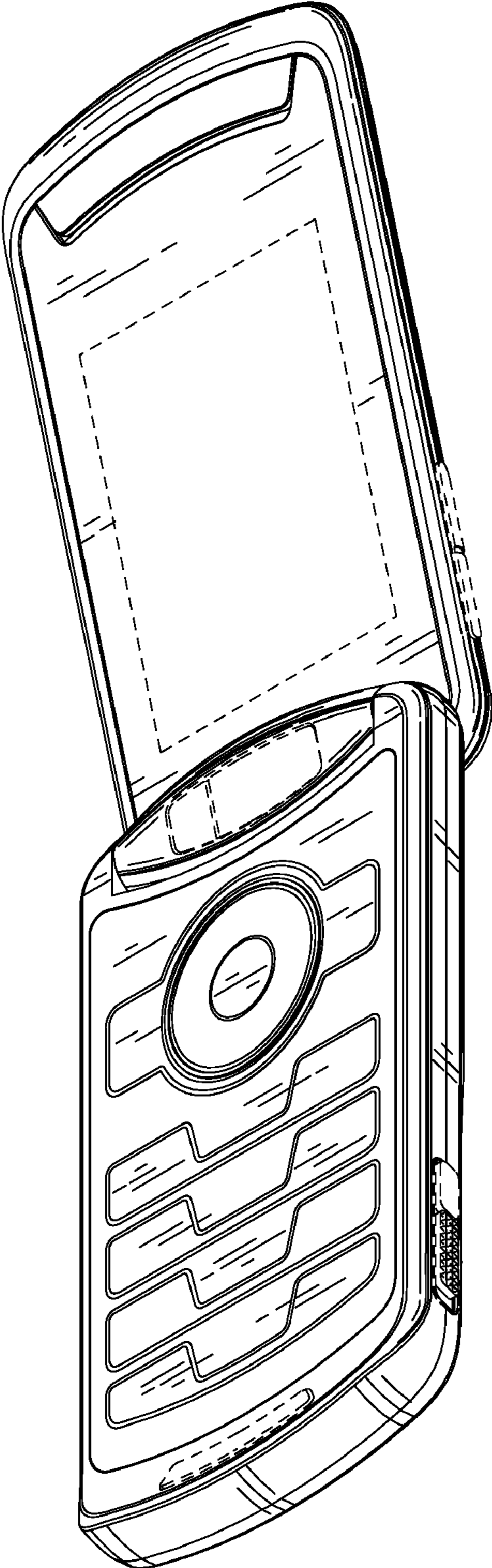


FIG. 1

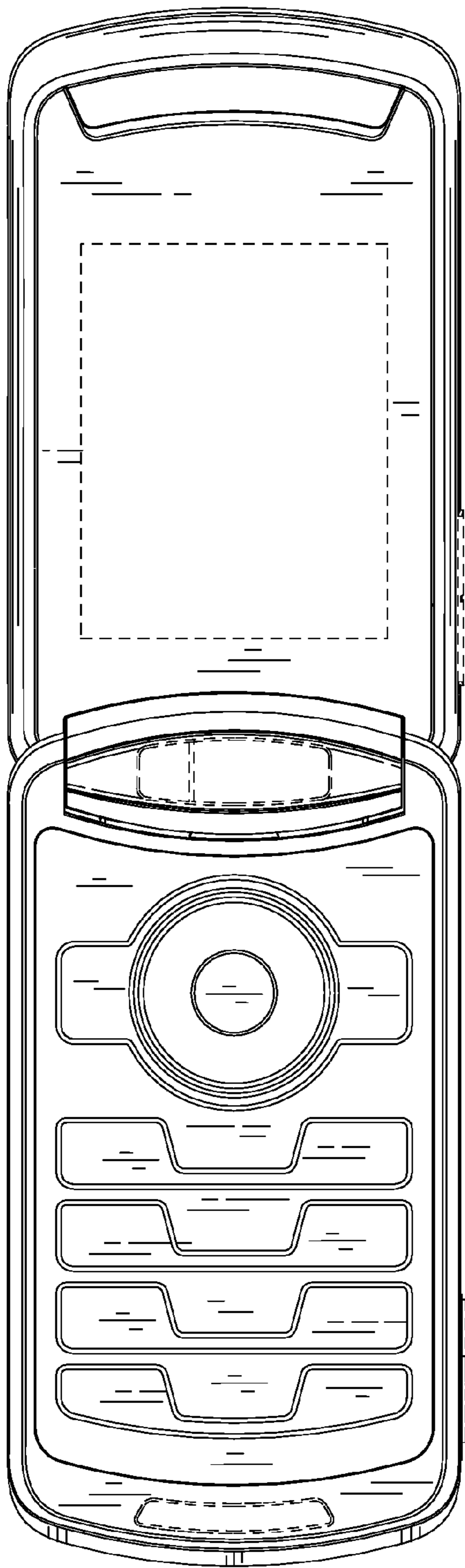


FIG. 2

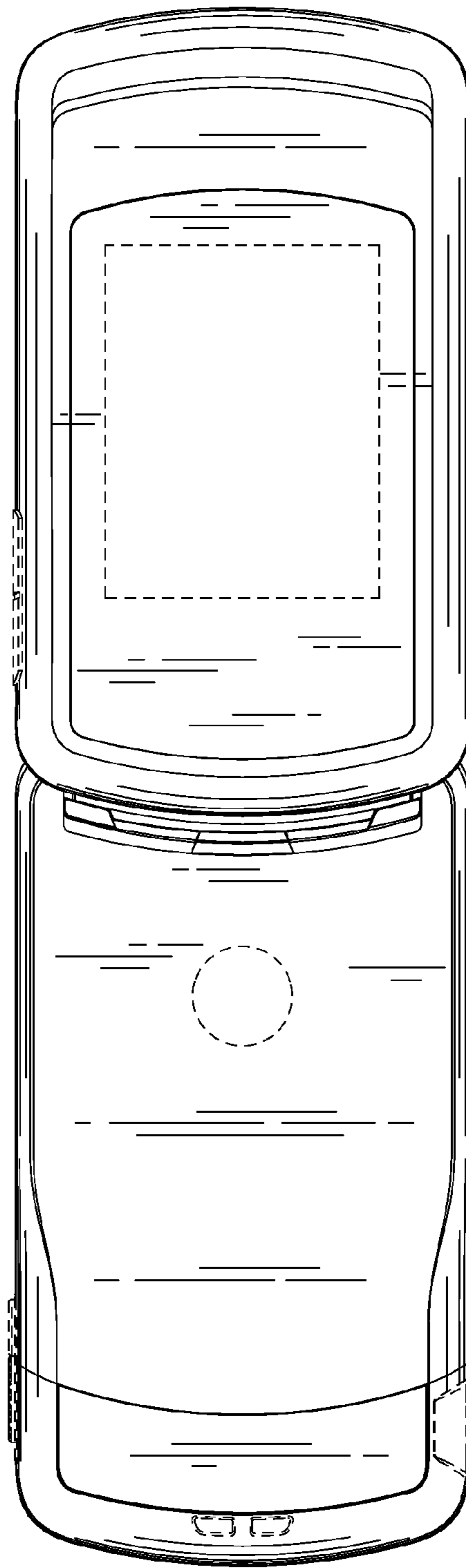


FIG. 3



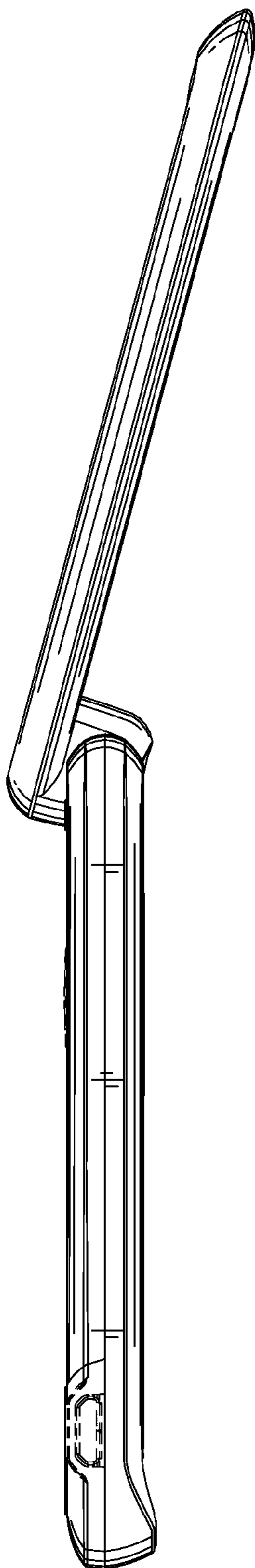


FIG. 4

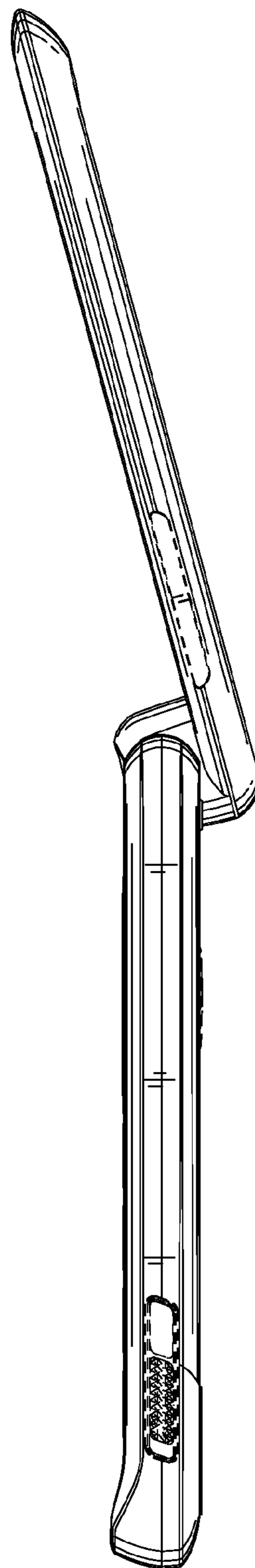


FIG. 5

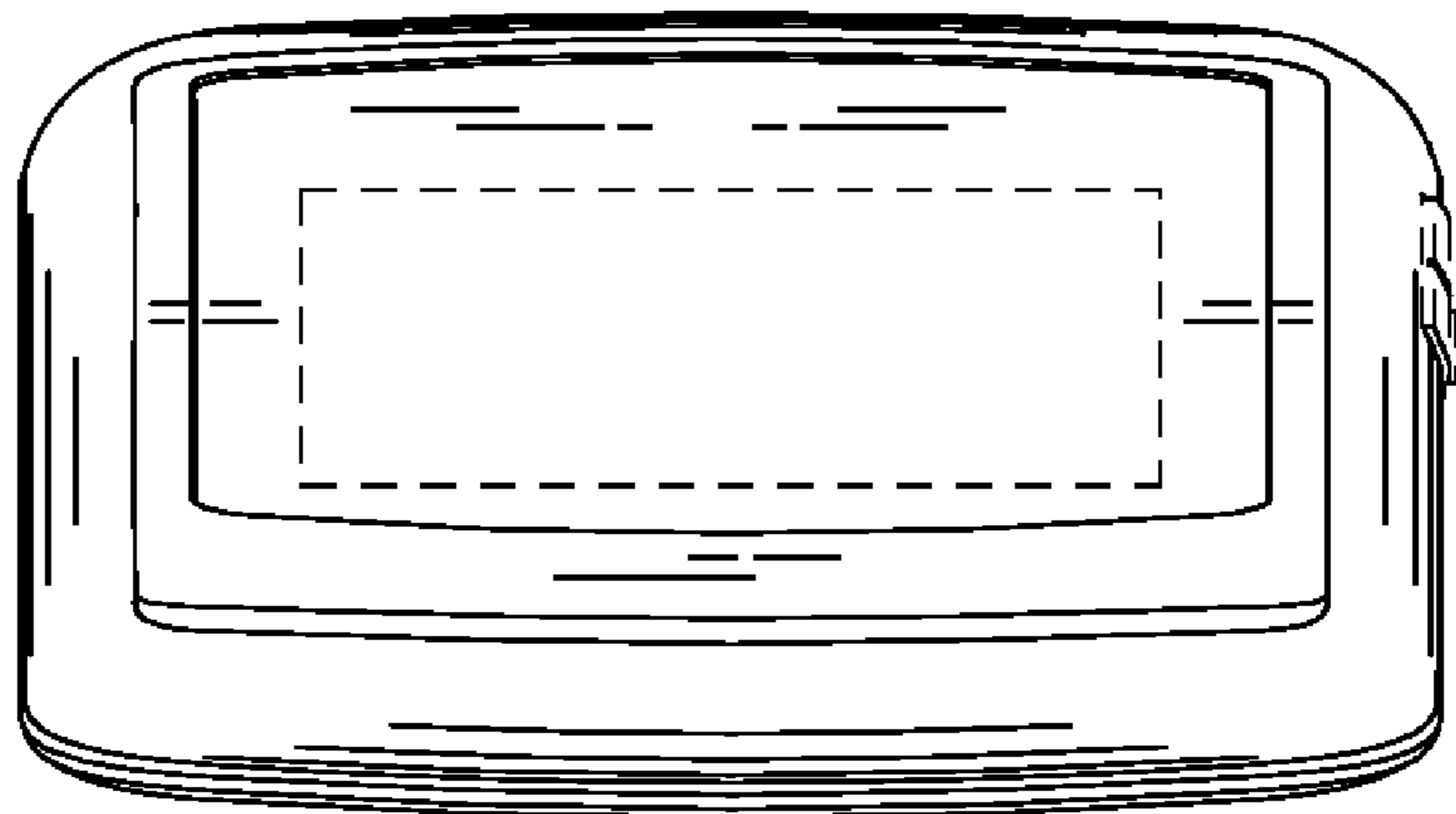


FIG. 6

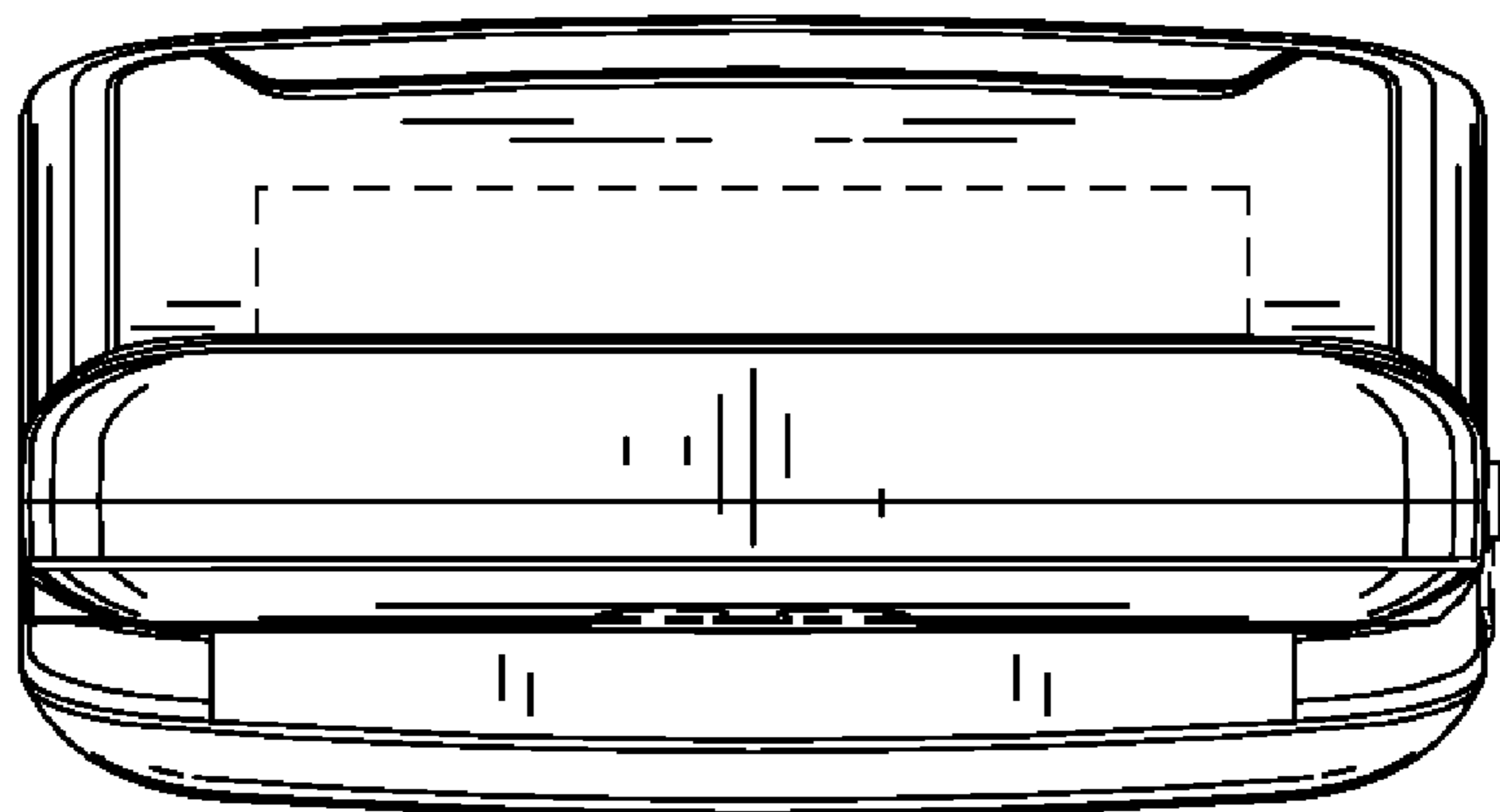


FIG. 7

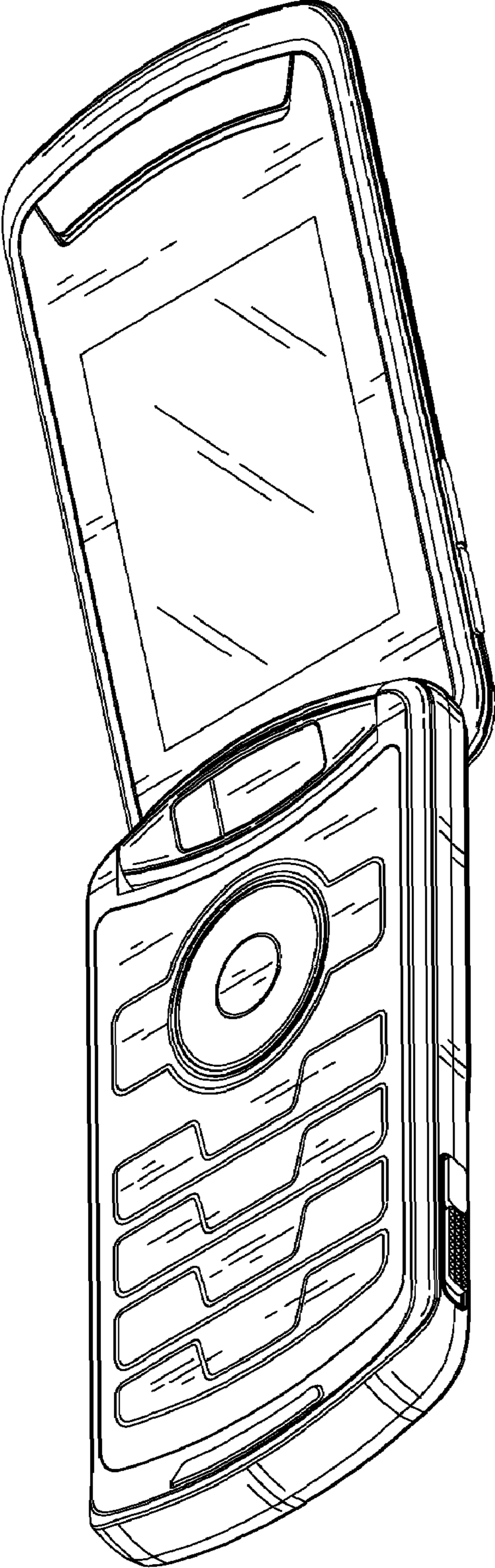


FIG. 8

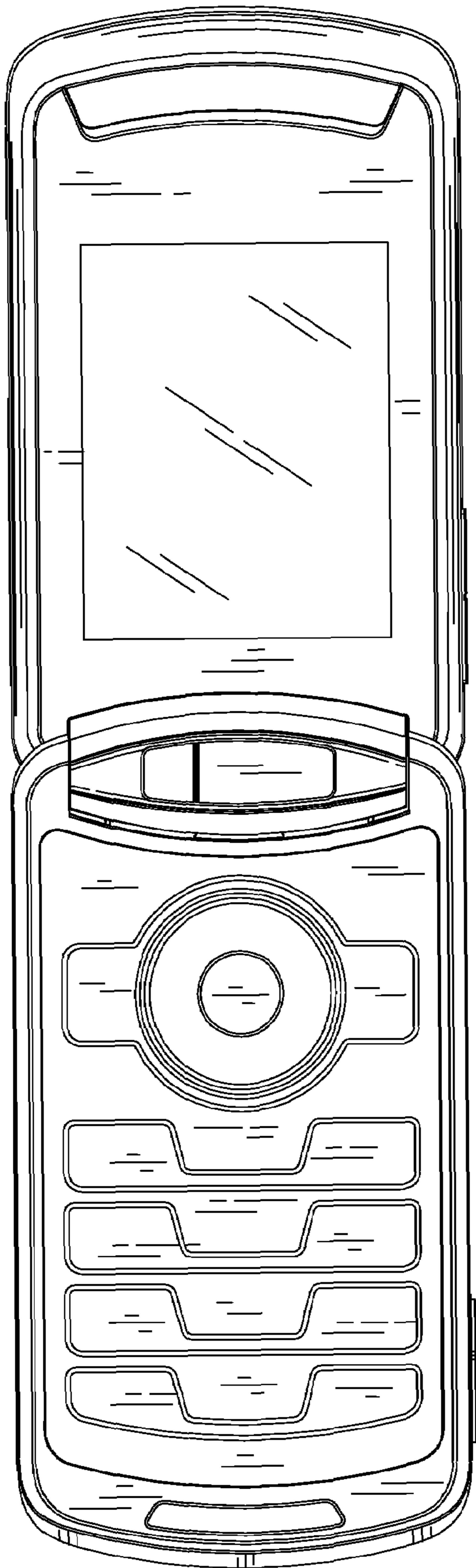


FIG. 9

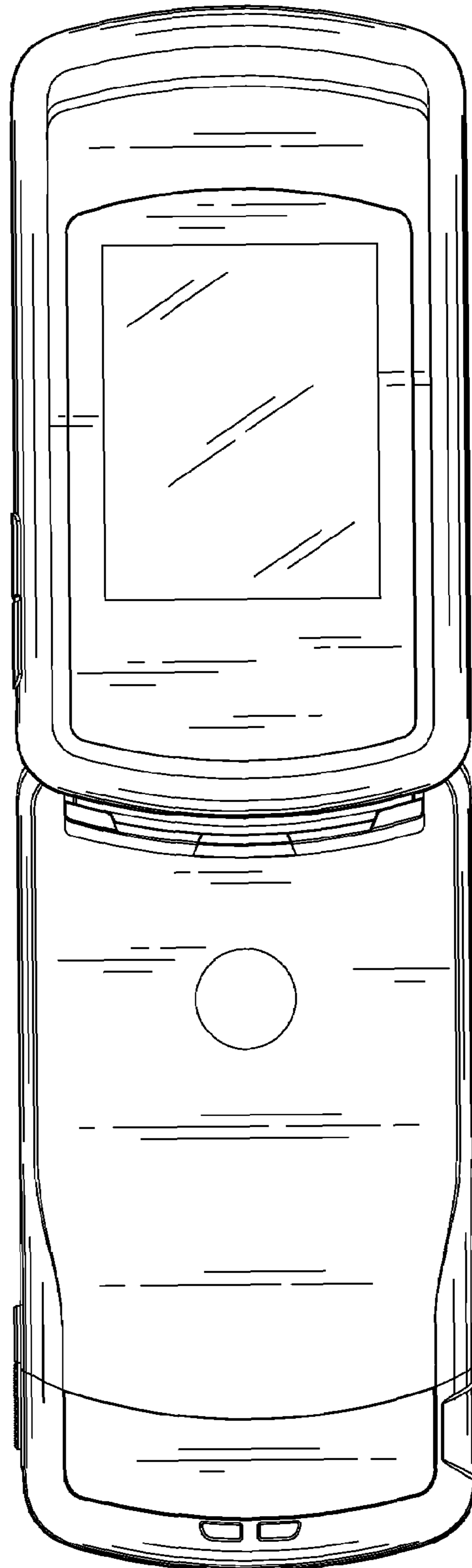


FIG. 10



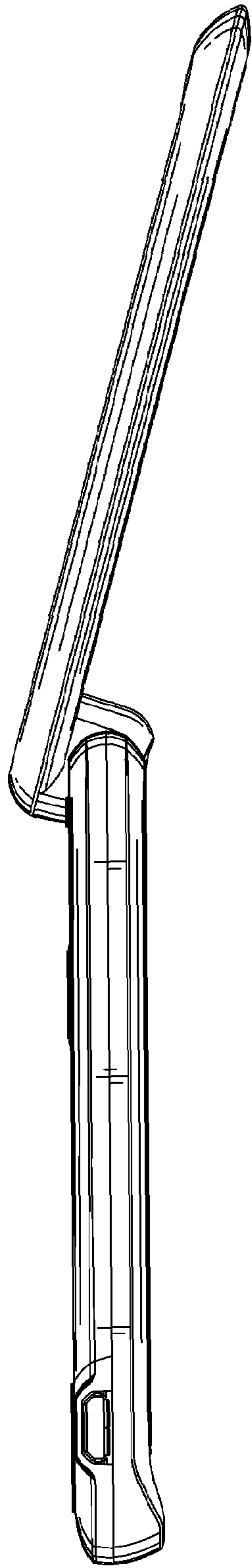


FIG. 11

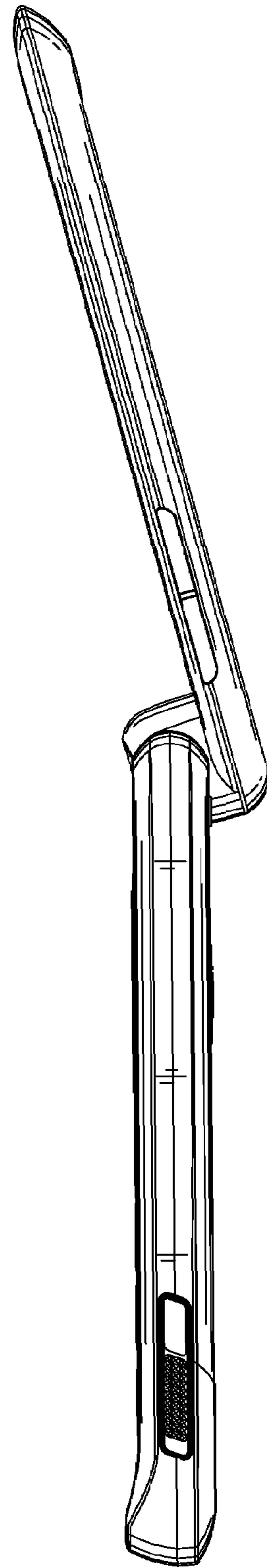


FIG. 12

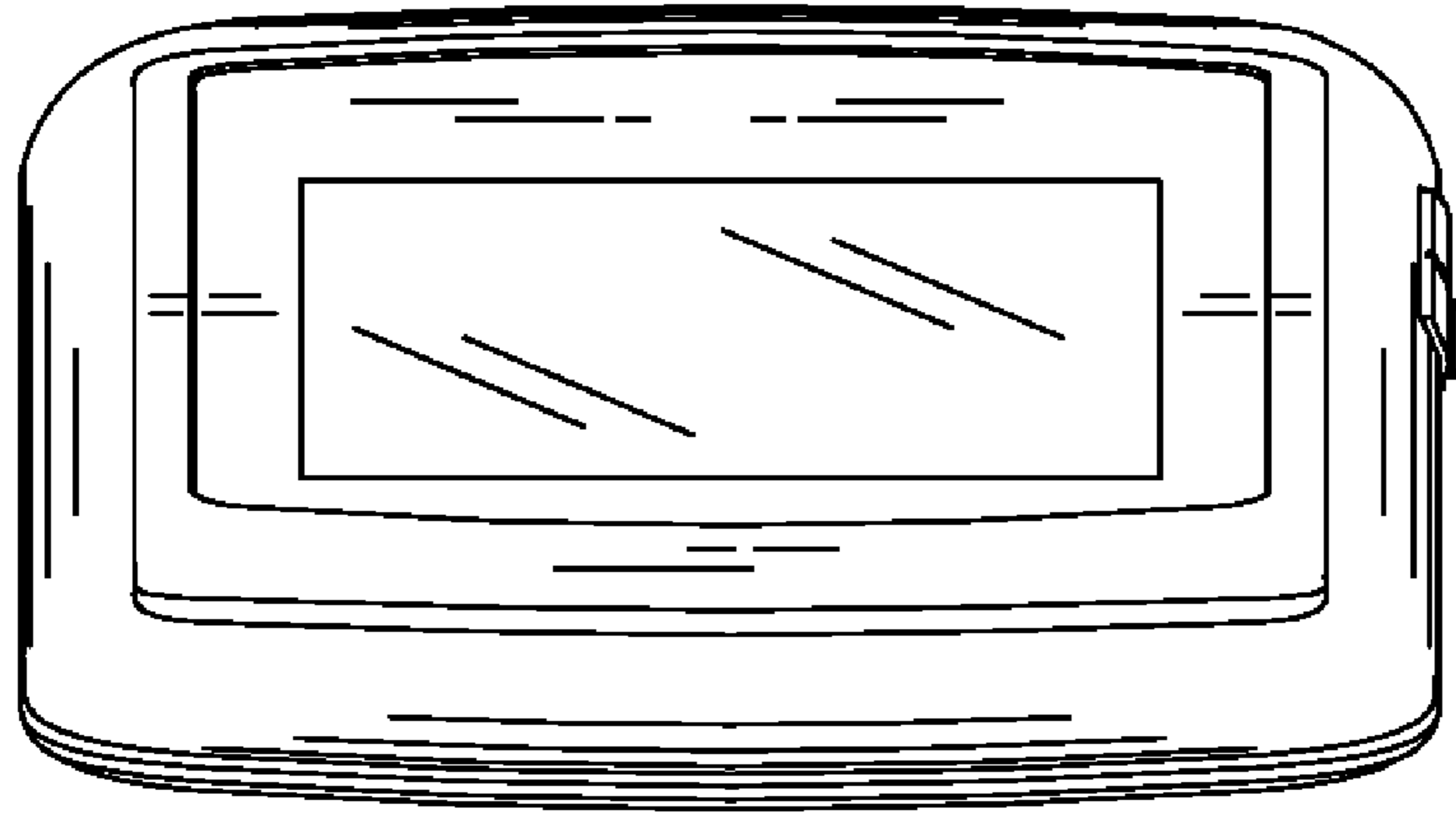


FIG. 13

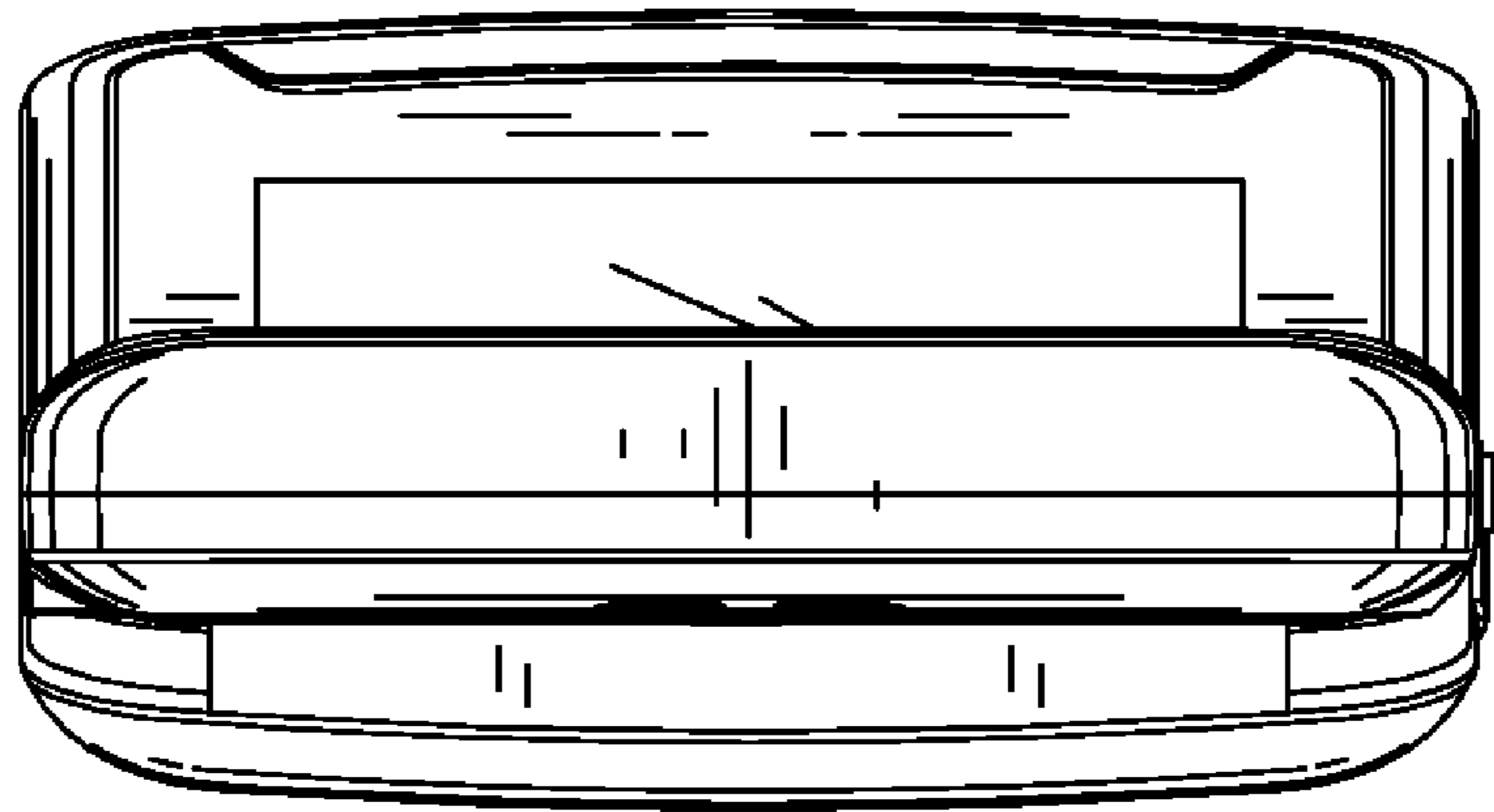


FIG. 14