



US00D593059S

(12) **United States Design Patent**
Kim et al.

(10) **Patent No.:** **US D593,059 S**
(45) **Date of Patent:** **** May 26, 2009**

(54) **MOBILE PHONE**

(75) Inventors: **Hae-Jin Kim**, Seoul (KR); **Young-Ju Yeo**, Seoul (KR); **Chang-Soo Lee**, Incheon (KR)

(73) Assignee: **Samsung Electronics Co., Ltd.**, Suwon-Si (KR)

(**) Term: **14 Years**

(21) Appl. No.: **29/320,786**

(22) Filed: **Jul. 3, 2008**

(30) **Foreign Application Priority Data**

May 13, 2008 (KR) 30-2008-0019978

(51) **LOC (9) Cl.** **14-03**

(52) **U.S. Cl.** **D14/138 G**

(58) **Field of Classification Search** D14/137,
D14/138 R, 138 AA, 138 AB, 138 AC, 138 AD,
D14/138 C, 138 G, 147, 191, 218, 247-248,
D14/341-347, 455, 456, 496; D10/65, 78,
D10/104; D13/168; D18/7; 455/556.1,
455/566, 575.1, 575.3; 345/169
See application file for complete search history.

(56) **References Cited**

U.S. PATENT DOCUMENTS

6,625,283 B1 * 9/2003 Sato 379/433.07
D532,791 S * 11/2006 Kim D14/203.7
D540,203 S * 4/2007 Jeon D10/65
D548,713 S * 8/2007 Lee et al. D14/138 AD
D556,211 S * 11/2007 Howard D14/496
D558,720 S * 1/2008 Lee et al. D14/138 AD
D558,757 S * 1/2008 Andre et al. D14/341
D558,758 S * 1/2008 Andre et al. D14/341
D569,837 S * 5/2008 Baik et al. D14/138 G
D575,760 S * 8/2008 Kim et al. D14/138 G
D577,353 S * 9/2008 Kim et al. D14/138 AD
D577,703 S * 9/2008 Lee et al. D14/138 G
D577,704 S * 9/2008 Park et al. D14/138 AD
D578,500 S * 10/2008 Lee et al. D14/138 G
D578,987 S * 10/2008 Lee et al. D14/138 R
D579,437 S * 10/2008 Yoon D14/138 R

D579,898 S * 11/2008 Lee et al. D14/138 R
D579,902 S * 11/2008 Kim et al. D14/138 R
D580,401 S * 11/2008 Kim et al. D14/138 AD
D581,384 S * 11/2008 Kim et al. D14/138 R
D583,342 S * 12/2008 Kim et al. D14/138 G
D583,345 S * 12/2008 Kim et al. D14/138 AD
D584,272 S * 1/2009 Chung et al. D14/138 R
2007/0265031 A1 * 11/2007 Koizumi et al. 455/556.1
2007/0287512 A1 * 12/2007 Kilpi et al. 455/575.1
2008/0051161 A1 * 2/2008 Tashiro 455/575.1

OTHER PUBLICATIONS

Apple iPhone 3G, announced Jun. 2008, [online], [retrieved on Jun. 13, 2008]. Retrieved from Internet ,<URL: <http://www.gsmarena.com>>.*

LG KE850 Prada, announced Jan. 2007, [online], [retrieved on Feb. 20, 2007 and May 18, 2007]. Retrieved from Internet ,<URL: <http://www.gsmarena.com>>.*

LG KF700, announced Feb. 2008, [online], [retrieved on Mar. 21, 2008 and May 14, 2008]. Retrieved from Internet ,<URL: <http://www.gsmarena.com>>.*

Samsung F490, announced Jan. 2008, [online], [retrieved on Jan. 18, 2008]. Retrieved from Internet ,<URL: <http://www.gsmarena.com>>.*

* cited by examiner

Primary Examiner—Jeffrey D Asch

Assistant Examiner—Bridget L Eland

(74) *Attorney, Agent, or Firm*—Staas & Halsey LLP

(57) **CLAIM**

The ornamental design for a mobile phone, as shown and described.

DESCRIPTION

FIG. 1 is a front perspective view of a mobile phone;
FIG. 2 is a front view of the mobile phone of FIG. 1;
FIG. 3 is a rear view of the mobile phone of FIG. 1;
FIG. 4 is a left-side view of the mobile phone of FIG. 1;
FIG. 5 is a right-side view of the mobile phone of FIG. 1;
FIG. 6 is a top plan view of the mobile phone of FIG. 1; and,
FIG. 7 is a bottom plan view of the mobile phone of FIG. 1.

1 Claim, 4 Drawing Sheets

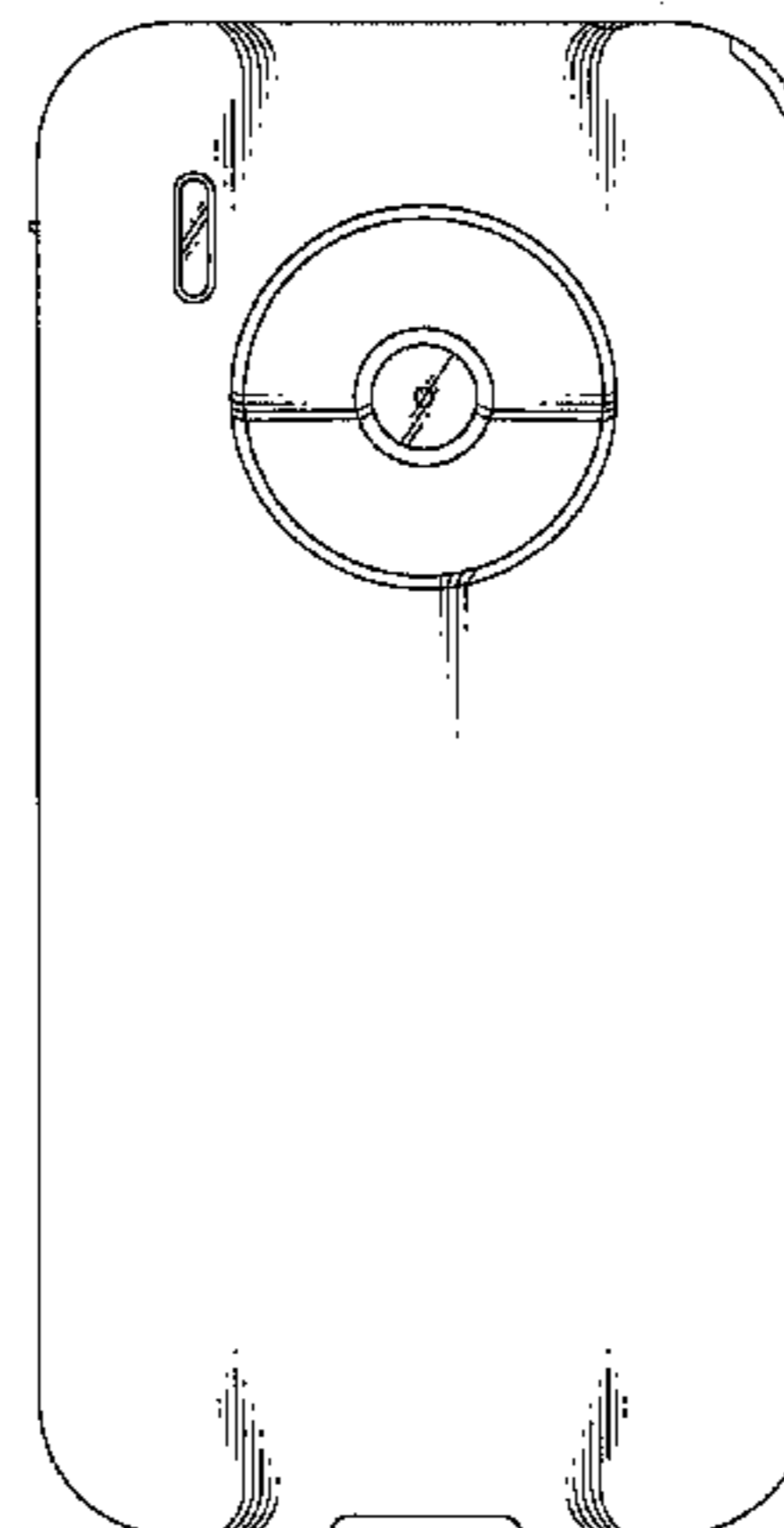
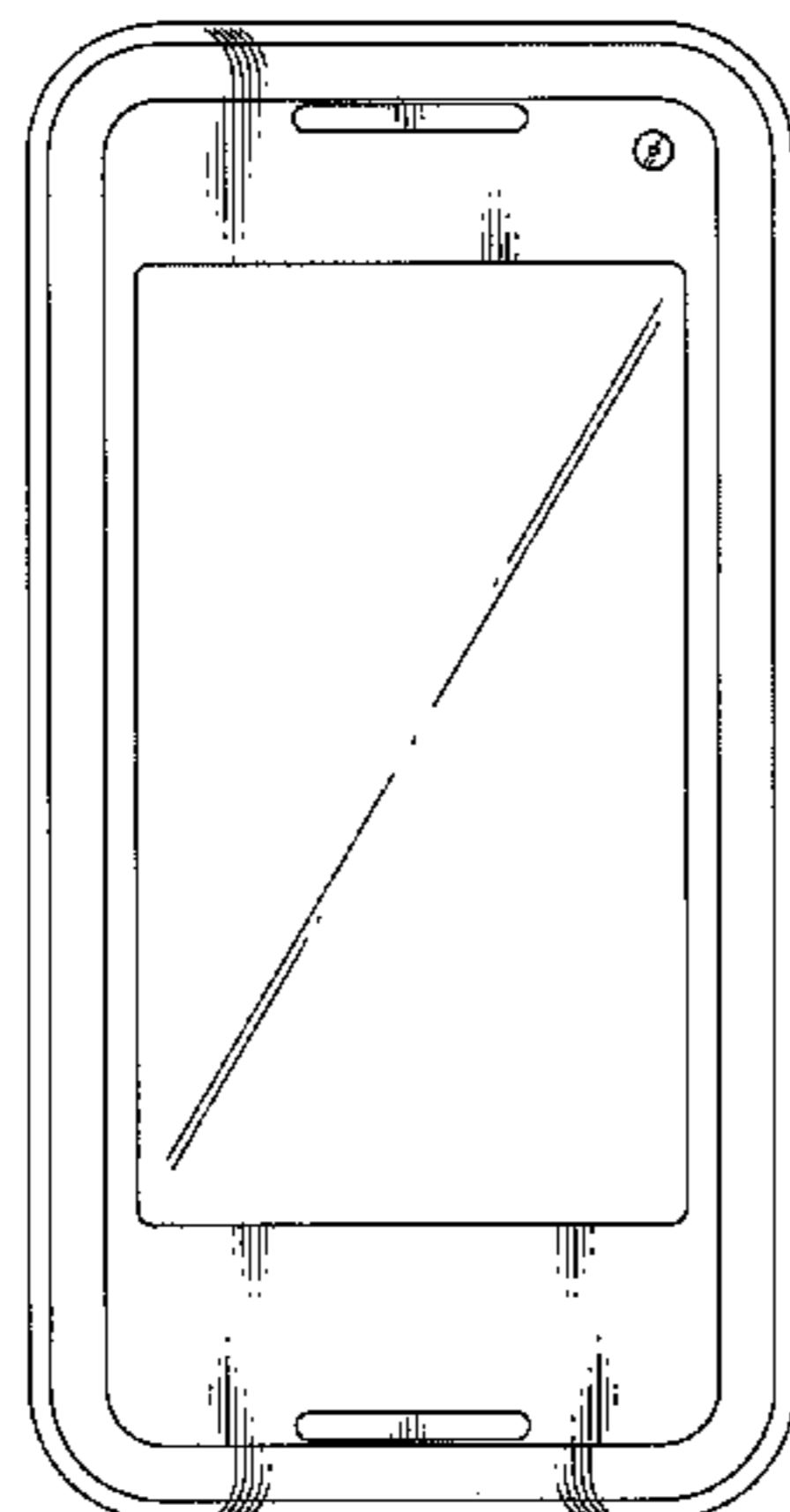


FIG. 1

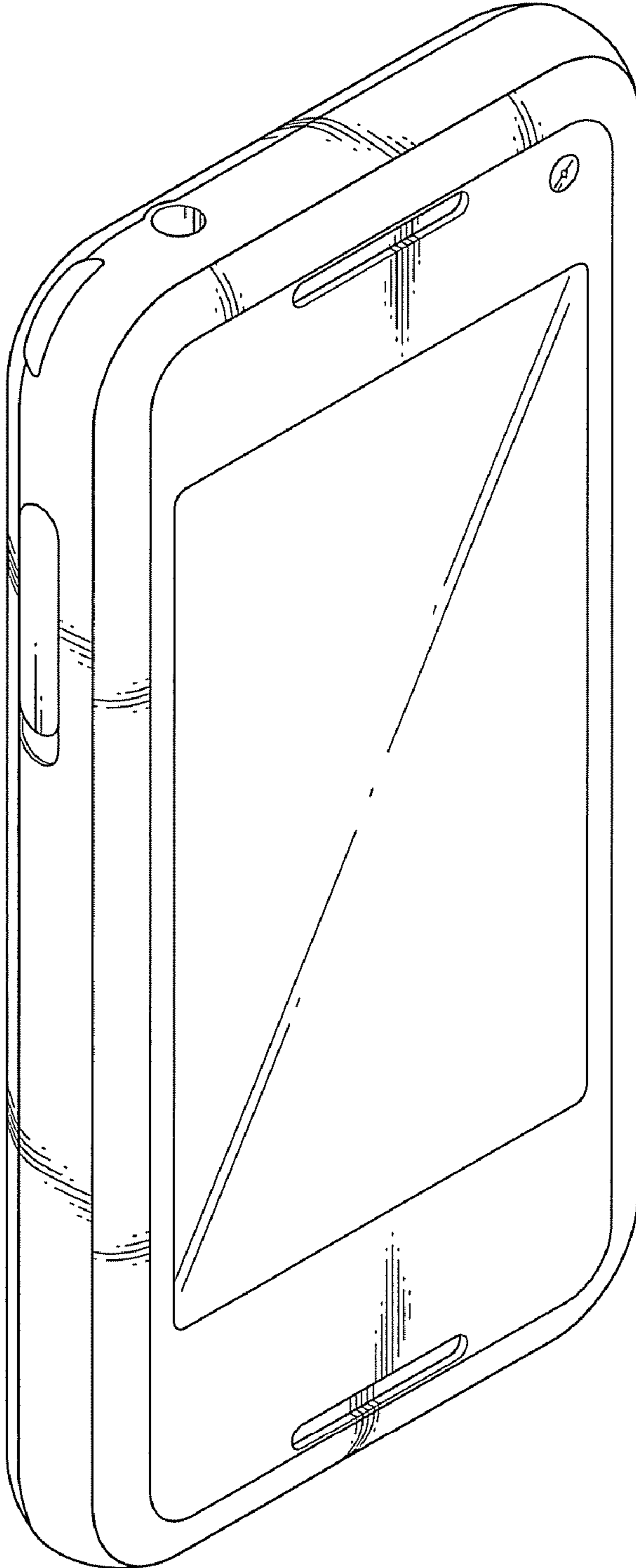


FIG.2

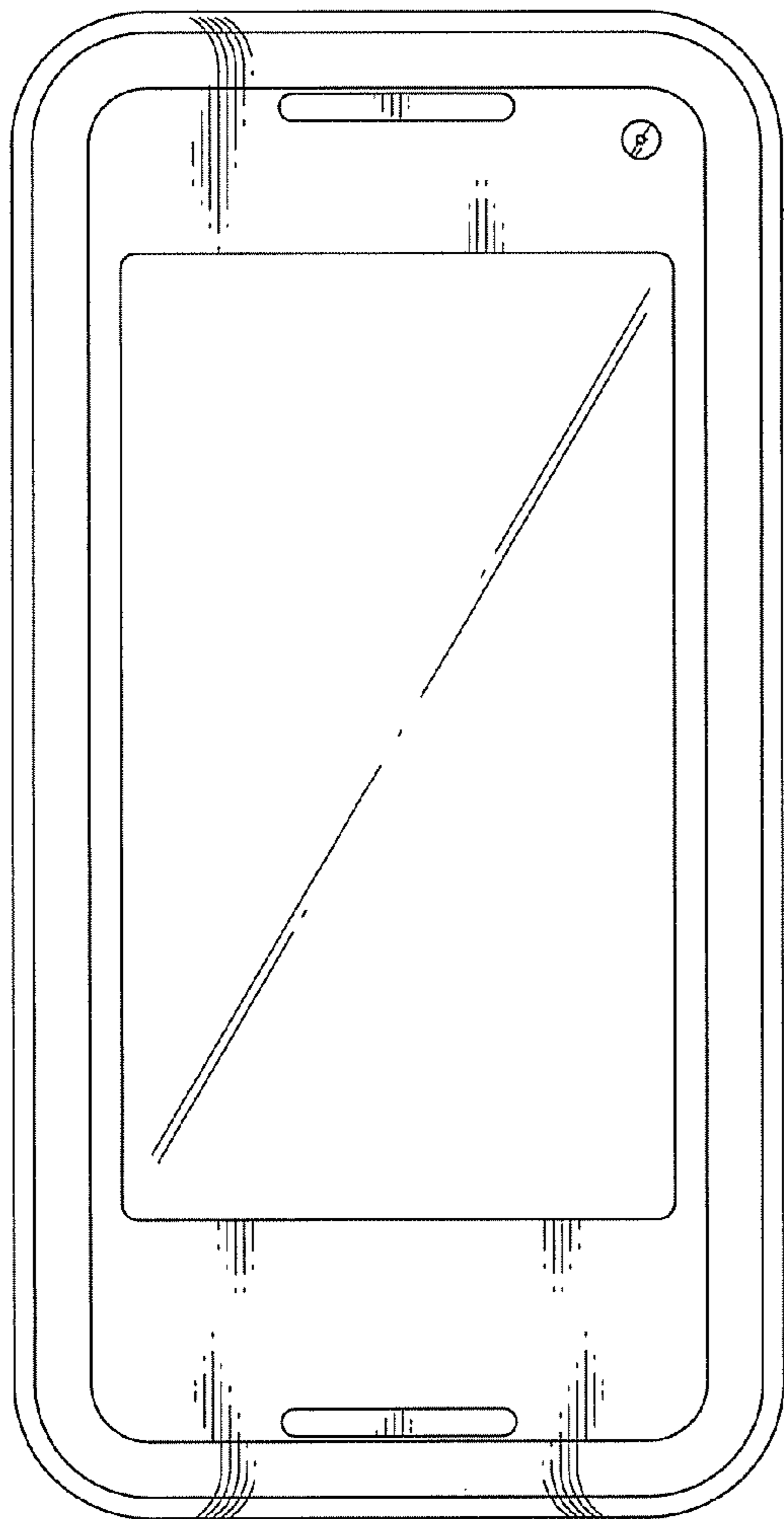


FIG.3

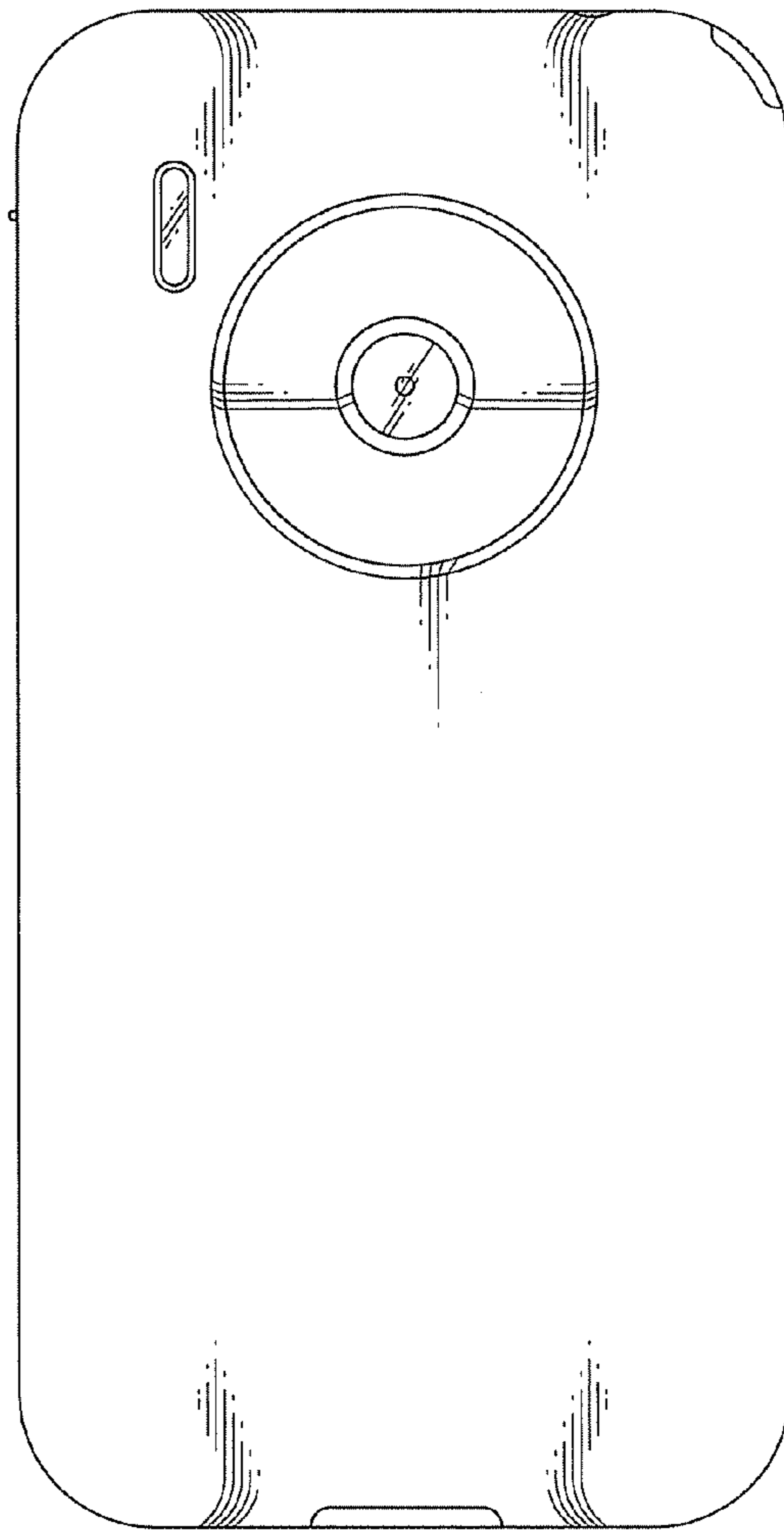


FIG. 4

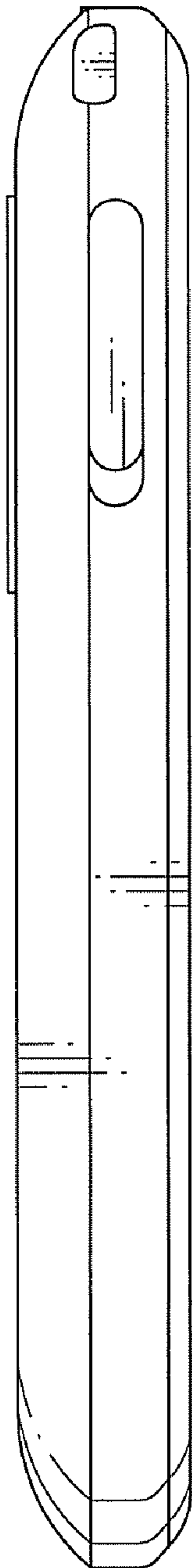


FIG. 5

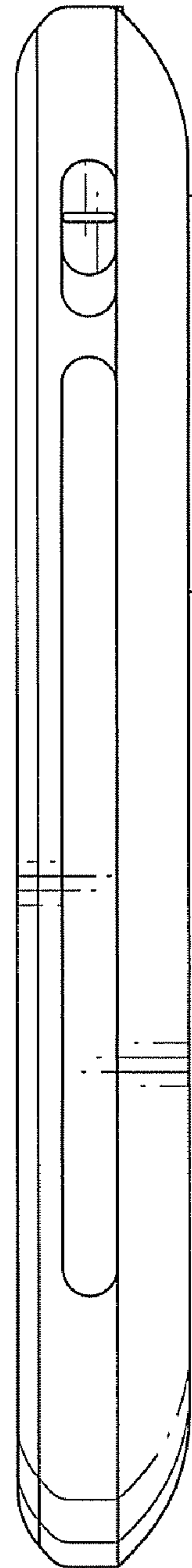


FIG. 6

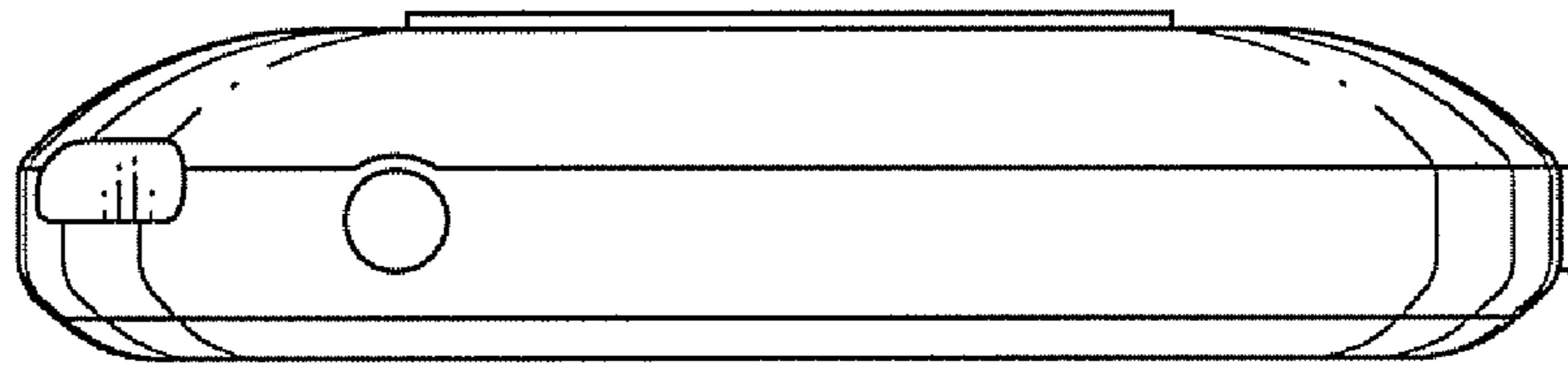


FIG. 7

