



US00D593057S

(12) **United States Design Patent**  
**Harju**

(10) **Patent No.:** **US D593,057 S**

(45) **Date of Patent:** **\*\* May 26, 2009**

(54) **HANDSET**

- (75) Inventor: **Jonne Harju**, Helsinki (FI)
- (73) Assignee: **Nokia Corporation**, Espoo (FI)
- (\*\*) Term: **14 Years**
- (21) Appl. No.: **29/319,008**
- (22) Filed: **Jun. 2, 2008**

- (51) **LOC (9) Cl.** ..... **14-03**
- (52) **U.S. Cl.** ..... **D14/138 AD**
- (58) **Field of Classification Search** ..... D14/137,  
D14/138 R, 138 AA, 138 AB, 138 AC, 138 AD,  
D14/138 C, 138 G, 147, 191, 218, 247-248,  
D14/341-347, 496; D10/65, 78, 104; D13/168;  
D18/7; 455/556.1, 566, 575.1, 575.3; 345/169  
See application file for complete search history.

(56) **References Cited**

**U.S. PATENT DOCUMENTS**

- D496,645 S \* 9/2004 Yoo et al. .... D14/138 G
- D525,609 S \* 7/2006 Kim et al. .... D14/138 AB
- D528,094 S \* 9/2006 Hwang ..... D14/138 AD
- D530,295 S \* 10/2006 Chung et al. .... D14/138 AD
- D534,143 S \* 12/2006 Lheem ..... D14/138 AD
- D536,691 S \* 2/2007 Park ..... D14/138 AD
- 7,187,957 B2 \* 3/2007 Kato ..... 455/575.3
- D551,201 S \* 9/2007 Kim et al. .... D14/138 AD
- D551,645 S \* 9/2007 Kim et al. .... D14/138 AB
- 7,269,450 B2 \* 9/2007 Lee et al. .... 455/575.1
- D553,599 S \* 10/2007 Lee et al. .... D14/138 AC
- D561,147 S \* 2/2008 Finney et al. .... D14/138 AD
- D562,287 S \* 2/2008 Kim et al. .... D14/138 AD
- D563,929 S \* 3/2008 Park ..... D14/138 AD
- D563,936 S \* 3/2008 Kim et al. .... D14/138 AD

(Continued)

**FOREIGN PATENT DOCUMENTS**

WO DM/069443 \* 10/2007

**OTHER PUBLICATIONS**

- Asus P535, announced Nov. 2006, [online], [retrieved on Feb. 20, 2007]. Retrieved from Internet ,<URL: <http://www.gsmarena.com>>.\*
- Nokia N81, announced Aug. 2007, [online], [retrieved on Sep. 4, 2007]. Retrieved from Internet ,<URL: <http://www.gsmarena.com>>.\*
- Nokia N96, announced Feb. 2008, [online], [retrieved on Mar. 21, 2008]. Retrieved from Internet ,<URL: <http://www.gsmarena.com>>.\*
- Nokia N85, announced Aug. 2008, [online], [retrieved on Sep. 5, 2008]. Retrieved from Internet ,<URL: <http://www.gsmarena.com>>.\*

(Continued)

*Primary Examiner*—Jeffrey D Asch  
*Assistant Examiner*—Bridget L Eland  
 (74) *Attorney, Agent, or Firm*—Banner & Witcoff, Ltd.

(57) **CLAIM**

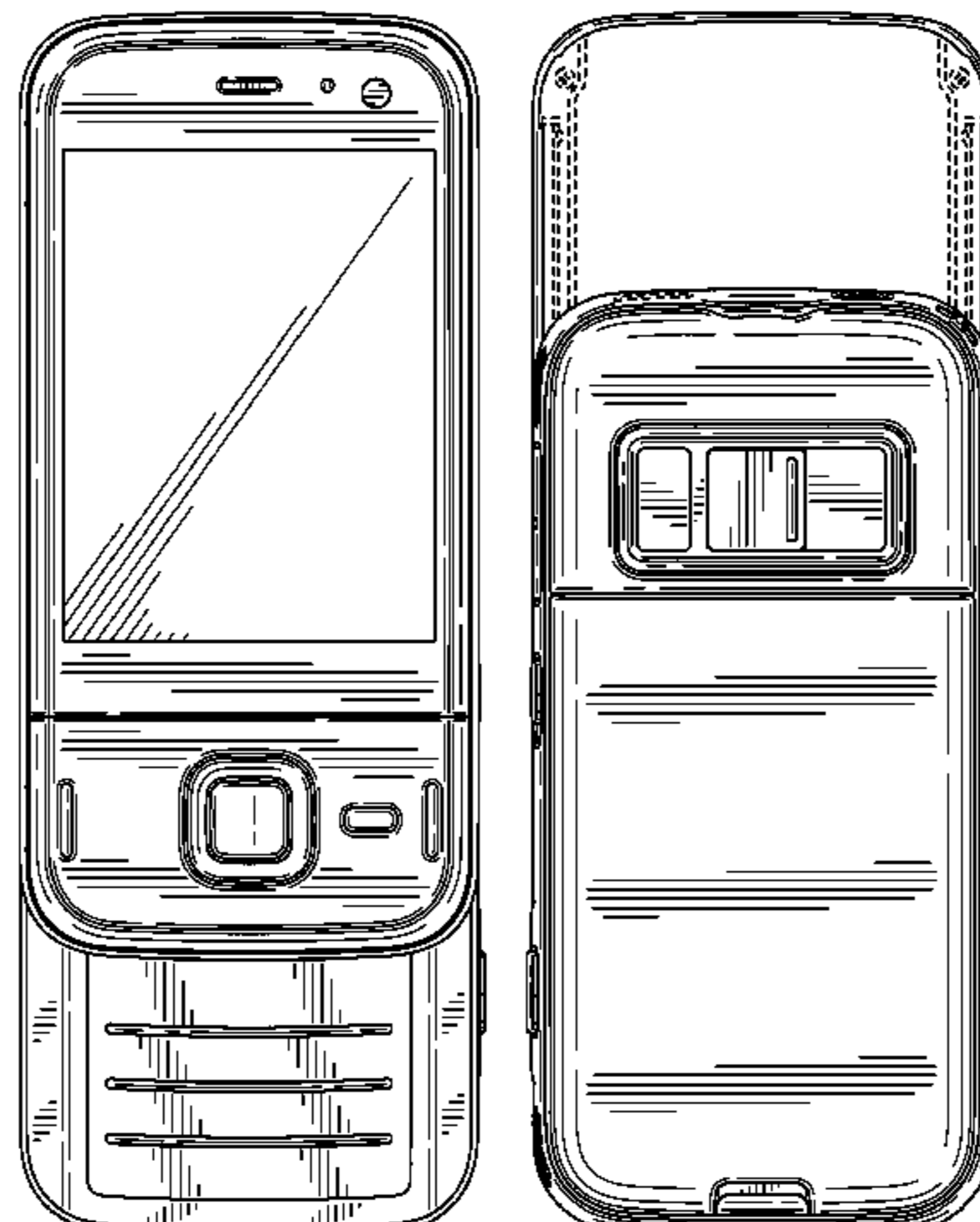
The ornamental design for a handset, as shown and described.

**DESCRIPTION**

FIG. 1 is a perspective front view of a handset in a first embodiment showing my new design;  
 FIG. 2 is a perspective rear view thereof;  
 FIG. 3 is a front view thereof;  
 FIG. 4 is a rear view thereof;  
 FIG. 5 is a right side view thereof;  
 FIG. 6 is a left side view thereof;  
 FIG. 7 is a top plan view thereof; and,  
 FIG. 8 is a bottom plan view thereof.

The broken lines shown in FIGS. 1-8 that are immediately adjacent to the shaded areas represent the bounds of the embodiment in which they are shown, while all other broken lines are directed to environment and are for illustrative purposes only; the broken lines, and the unshaded interior of the front cover shown in FIGS. 2 and 4, form no part of the embodiment in which they are shown.

**1 Claim, 5 Drawing Sheets**



# US D593,057 S

Page 2

---

## U.S. PATENT DOCUMENTS

D563,938 S \* 3/2008 Kim et al. .... D14/138 AD  
D566,091 S \* 4/2008 Scales et al. .... D14/138 AD  
D569,834 S \* 5/2008 Suk et al. .... D14/138 AD  
D577,349 S \* 9/2008 Choi et al. .... D14/138 AD  
D579,439 S \* 10/2008 Chung et al. .... D14/138 R  
D579,897 S \* 11/2008 Kim et al. .... D14/138 R  
D579,899 S \* 11/2008 Park et al. .... D14/138 R  
D581,387 S \* 11/2008 Harju et al. .... D14/138 R  
2005/0124381 A1\* 6/2005 Kim et al. .... 455/556.1

2005/0255897 A1\* 11/2005 Lee et al. .... 455/575.4  
2008/0119248 A1\* 5/2008 Nissen et al. .... 455/575.4

## OTHER PUBLICATIONS

Samsung M3200 Beat s, announced Sep. 2008, [online], [retrieved on Sep. 19, 2008]. Retrieved from Internet ,<URL: <http://www.gsmarena.com>>.\*

Nokia Model #N78, Nokia Corporation, 1 color sheet of photographs, disclosed on or about Feb. 2008.

\* cited by examiner

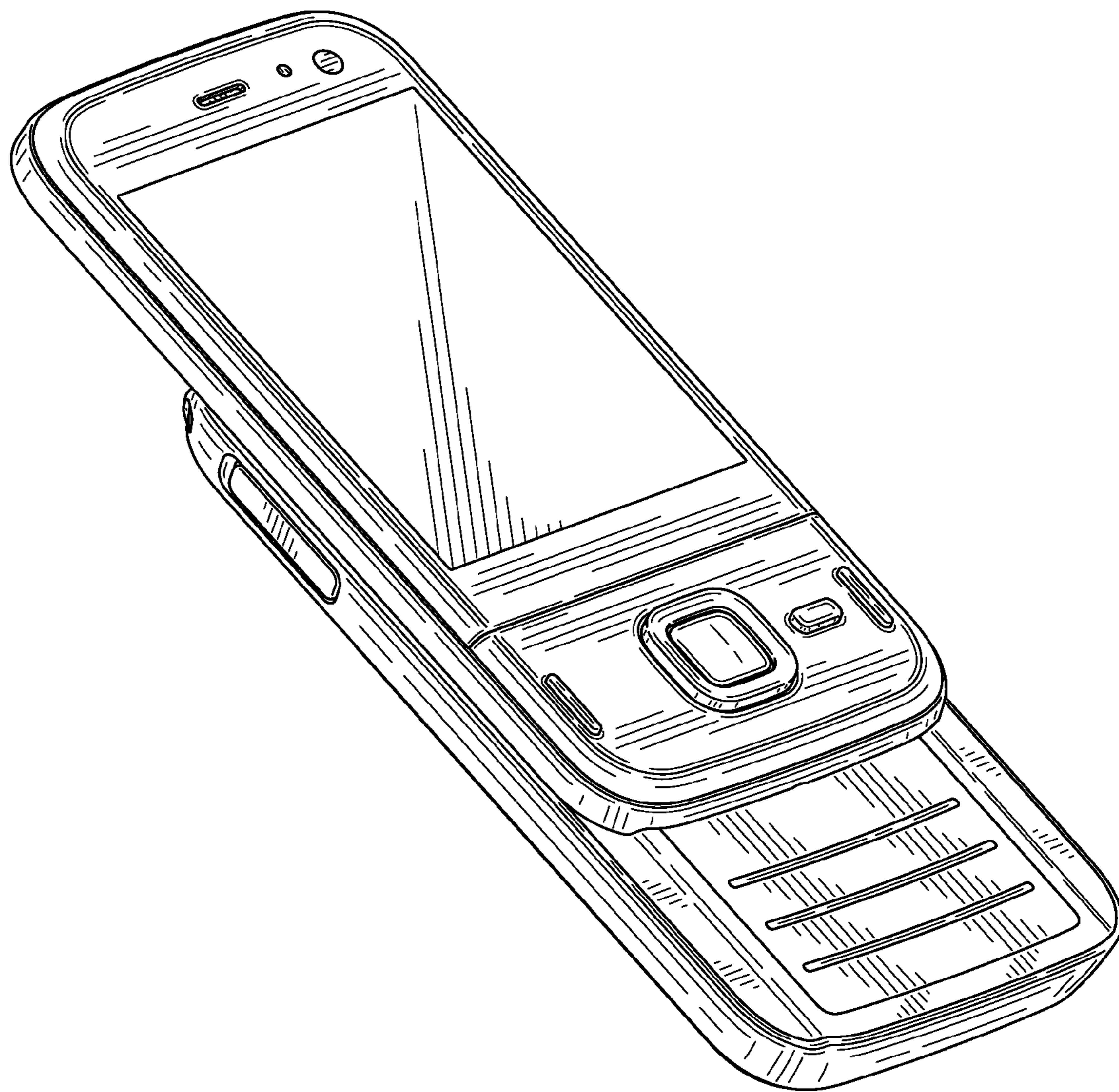


FIG. 1

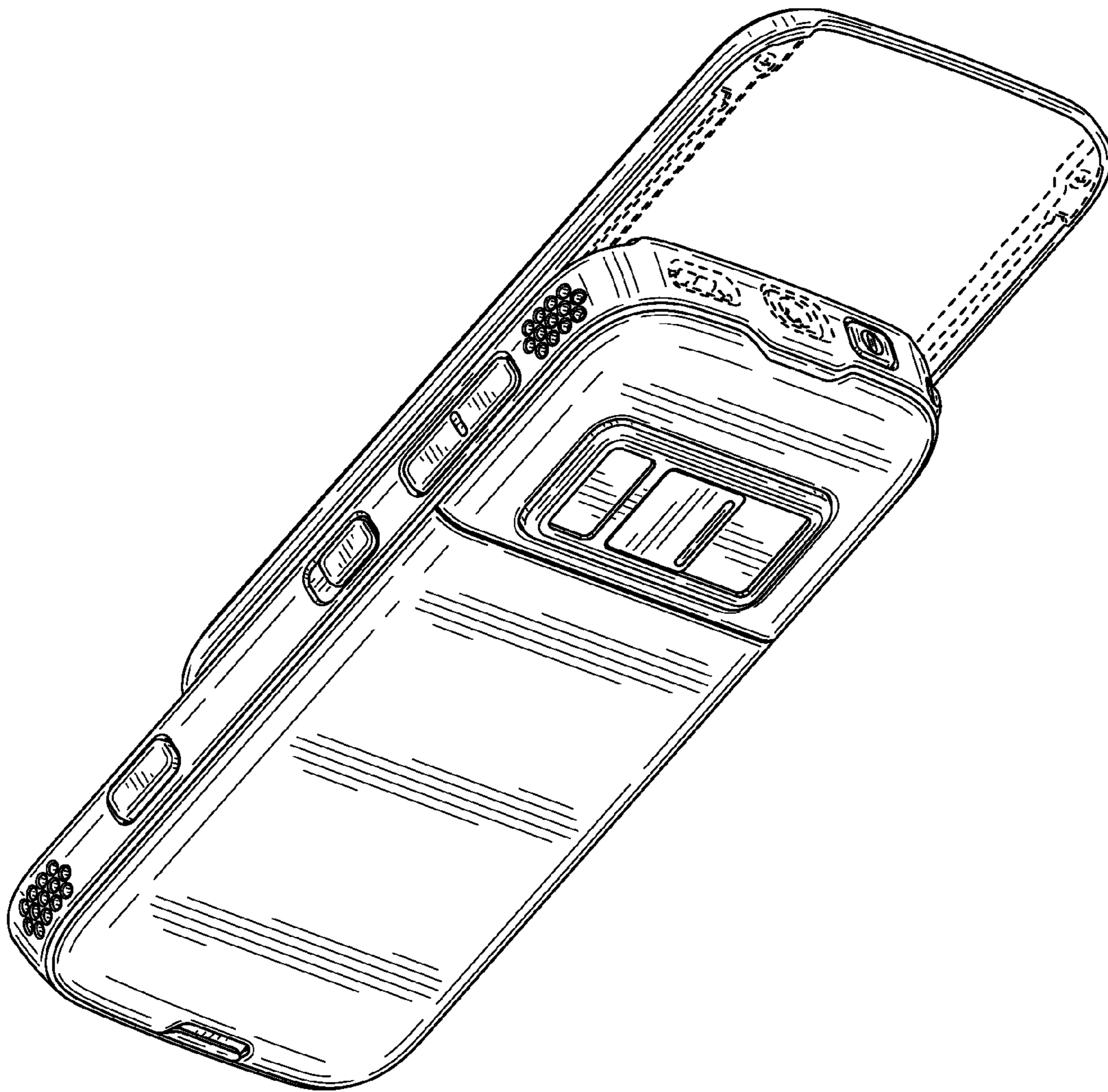


FIG. 2

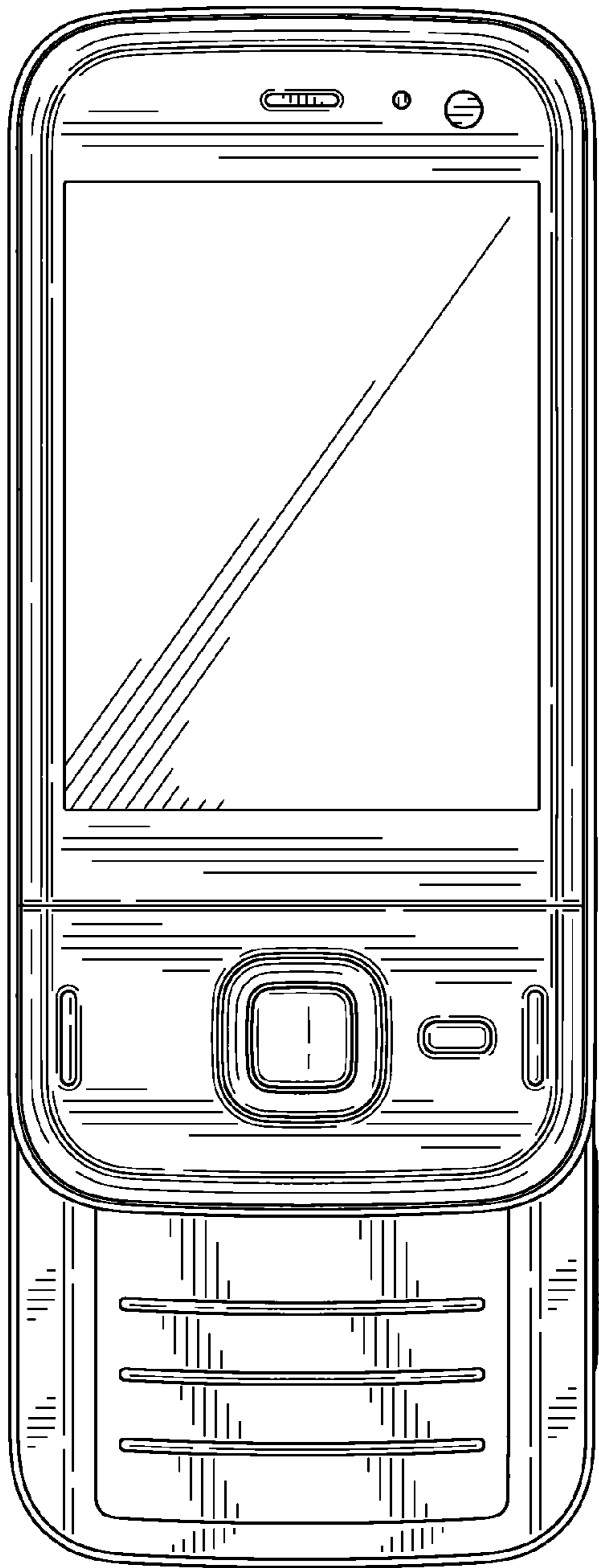


FIG. 3

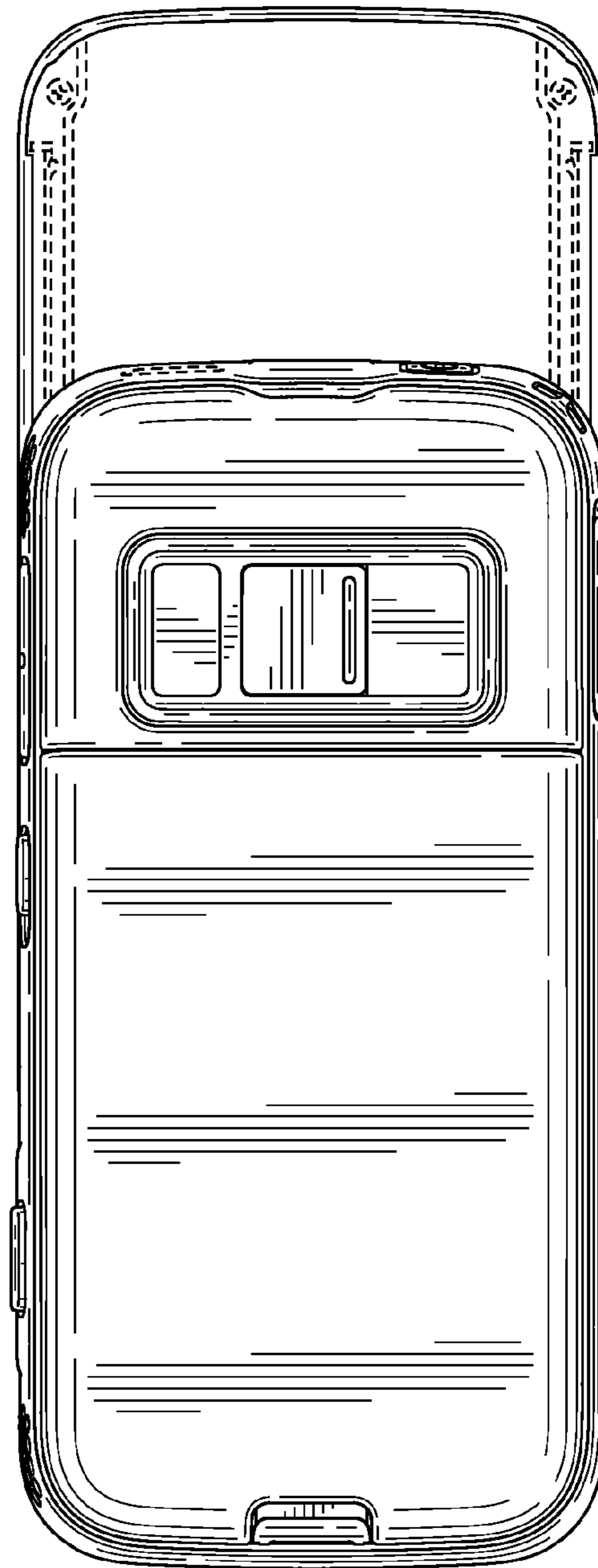


FIG. 4

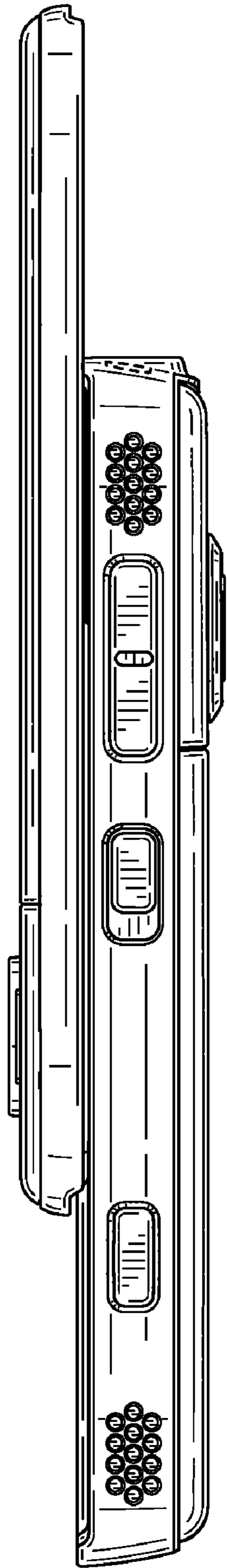


FIG. 5

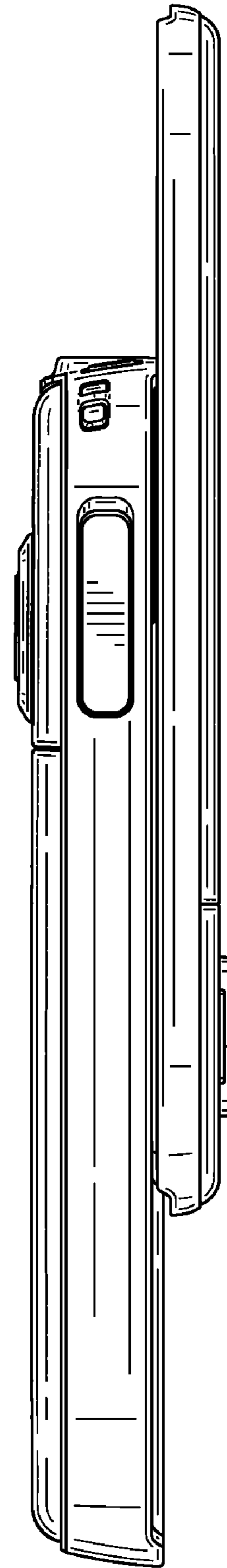


FIG. 6

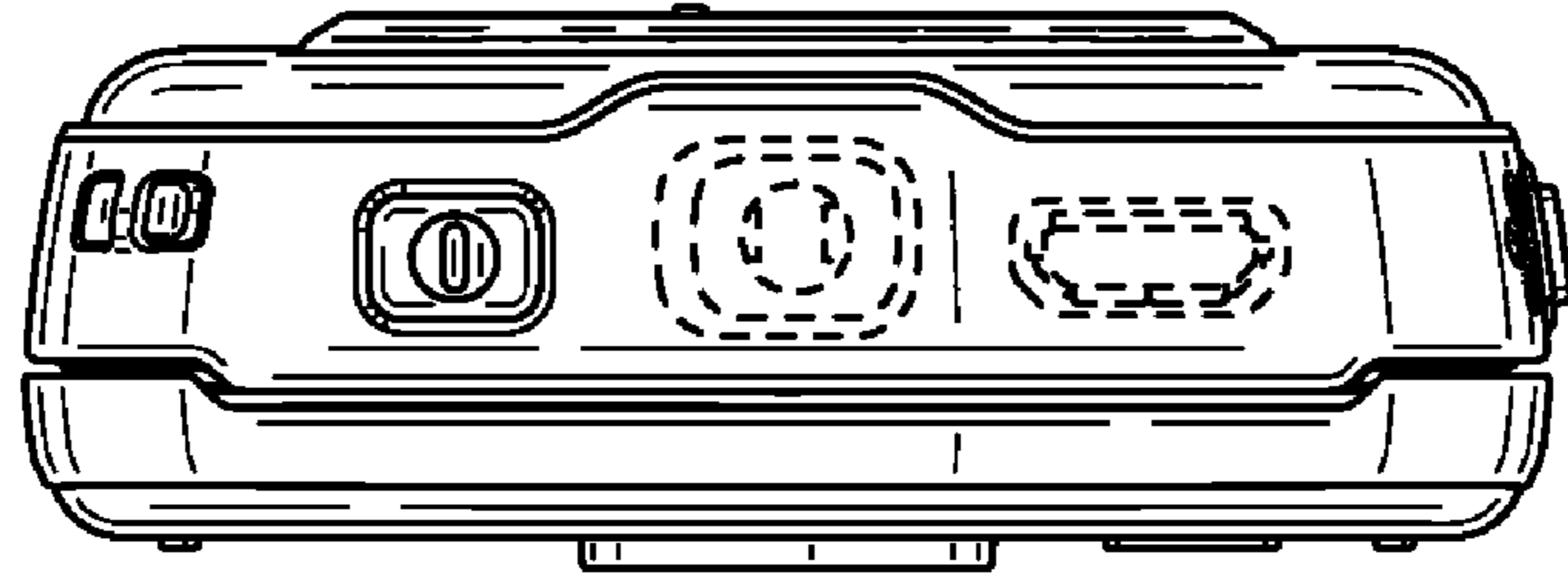


FIG. 7

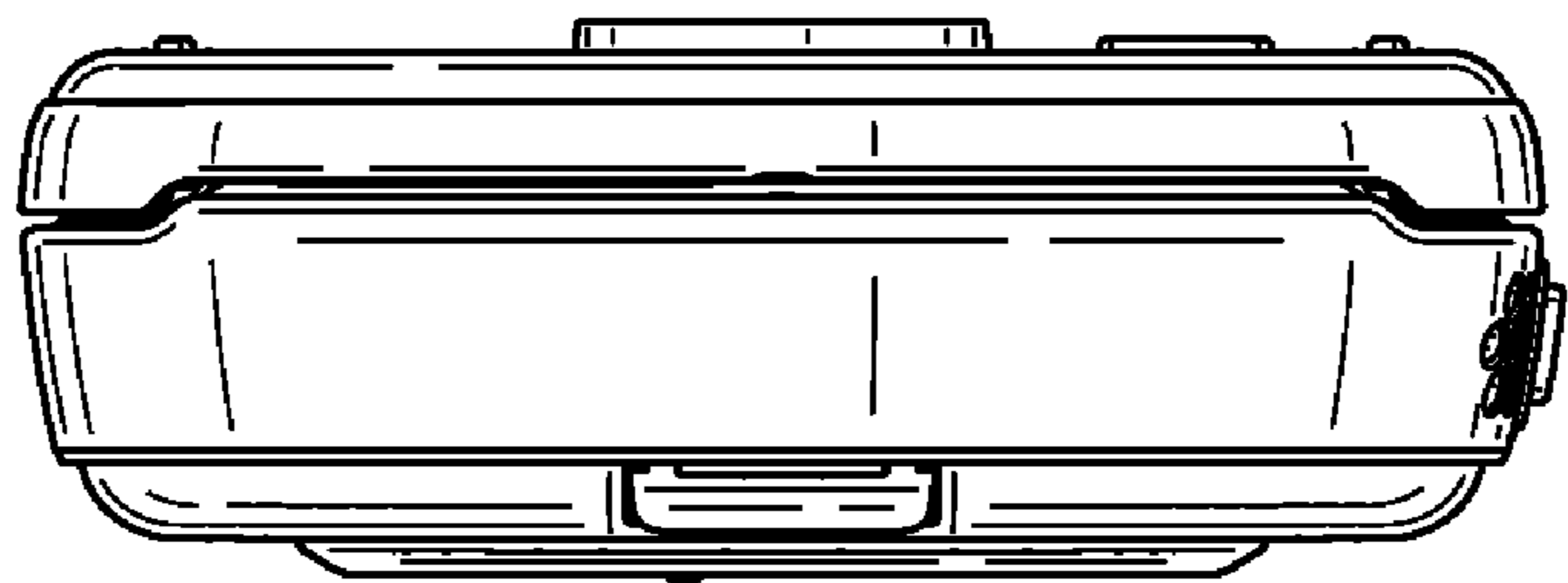


FIG. 8