



US00D593056S

(12) **United States Design Patent**  
**Ooi**

(10) **Patent No.:** **US D593,056 S**

(45) **Date of Patent:** **\*\* May 26, 2009**

(54) **MOBILE PHONE**

(75) Inventor: **Lee Sun Ooi**, Bagan Ajam (MY)

(73) Assignee: **Sony Ericsson Mobile Communications AB**, Lund (SE)

(\*\*) Term: **14 Years**

(21) Appl. No.: **29/318,625**

(22) Filed: **May 23, 2008**

(30) **Foreign Application Priority Data**

Nov. 26, 2007 (EM) ..... 000831847

(51) **LOC (9) Cl.** ..... **14-03**

(52) **U.S. Cl.** ..... **D14/138 AB**

(58) **Field of Classification Search** ..... D14/138 AB,  
D14/496, 341-347; 455/575.3

See application file for complete search history.

(56) **References Cited**

**U.S. PATENT DOCUMENTS**

- D475,358 S \* 6/2003 Wang et al. .... D14/138 AB
- D477,296 S \* 7/2003 Minamide ..... D14/138 AB
- D507,551 S \* 7/2005 Kim et al. .... D14/138 AB
- D508,035 S \* 8/2005 Kim et al. .... D14/138 AB
- D520,980 S \* 5/2006 Taniyama et al. .... D14/138 AB
- D536,320 S \* 2/2007 Michaels ..... D14/138 AB
- 7,269,443 B2 \* 9/2007 Park et al. .... 455/556.2
- D559,218 S \* 1/2008 Park et al. .... D14/138 AB
- D561,722 S \* 2/2008 Kim et al. .... D14/138 AB
- D563,365 S \* 3/2008 Kim ..... D14/138 AB
- D563,924 S \* 3/2008 Arnold et al. .... D14/138 AB
- D566,082 S \* 4/2008 Kim et al. .... D14/138 AB
- D571,344 S \* 6/2008 Kim et al. .... D14/138
- D571,345 S \* 6/2008 Kim et al. .... D14/138
- D571,773 S \* 6/2008 Kim et al. .... D14/138
- 7,386,330 B2 \* 6/2008 Takagi ..... 455/575.3
- D572,690 S \* 7/2008 Kim et al. .... D14/138
- D573,127 S \* 7/2008 Choi et al. .... D14/138
- D573,968 S \* 7/2008 Chen et al. .... D14/138
- D576,599 S \* 9/2008 Han et al. .... D14/138 AB

- D578,499 S \* 10/2008 Park et al. .... D14/138 AB
- D578,504 S \* 10/2008 Stillerman ..... D14/138 AB
- D578,988 S \* 10/2008 Chung et al. .... D14/138 R
- D580,901 S \* 11/2008 Su et al. .... D14/138 R
- D582,885 S \* 12/2008 Shimpei ..... D14/138 AB

**OTHER PUBLICATIONS**

Samsung E210 telephone, announced Aug. 2007, [online], [site visited Dec. 6, 2008]. Available from Internet ,<URL: <http://www.gsmarena.com>>.\*

Sony Ericsson Z780 telephone, announced Apr. 2008, [online], [site visited Dec. 6, 2008]. Available from Internet ,<URL: <http://www.gsmarena.com>>.\*

(Continued)

*Primary Examiner*—Jeffrey D Asch

(74) *Attorney, Agent, or Firm*—Renner, Otto, Boisselle & Sklar, LLP

(57) **CLAIM**

The ornamental design for a mobile phone, as shown and described.

**DESCRIPTION**

FIG. 1 is a front view of a mobile phone in a closed position showing my design;

FIG. 2 is a rear view thereof;

FIG. 3 is a left side view thereof;

FIG. 4 is a right side view thereof;

FIG. 5 is a top view thereof;

FIG. 6 is a bottom view thereof;

FIG. 7 is a perspective view thereof;

FIG. 8 is a front view of the mobile phone of FIG. 1 in an open position;

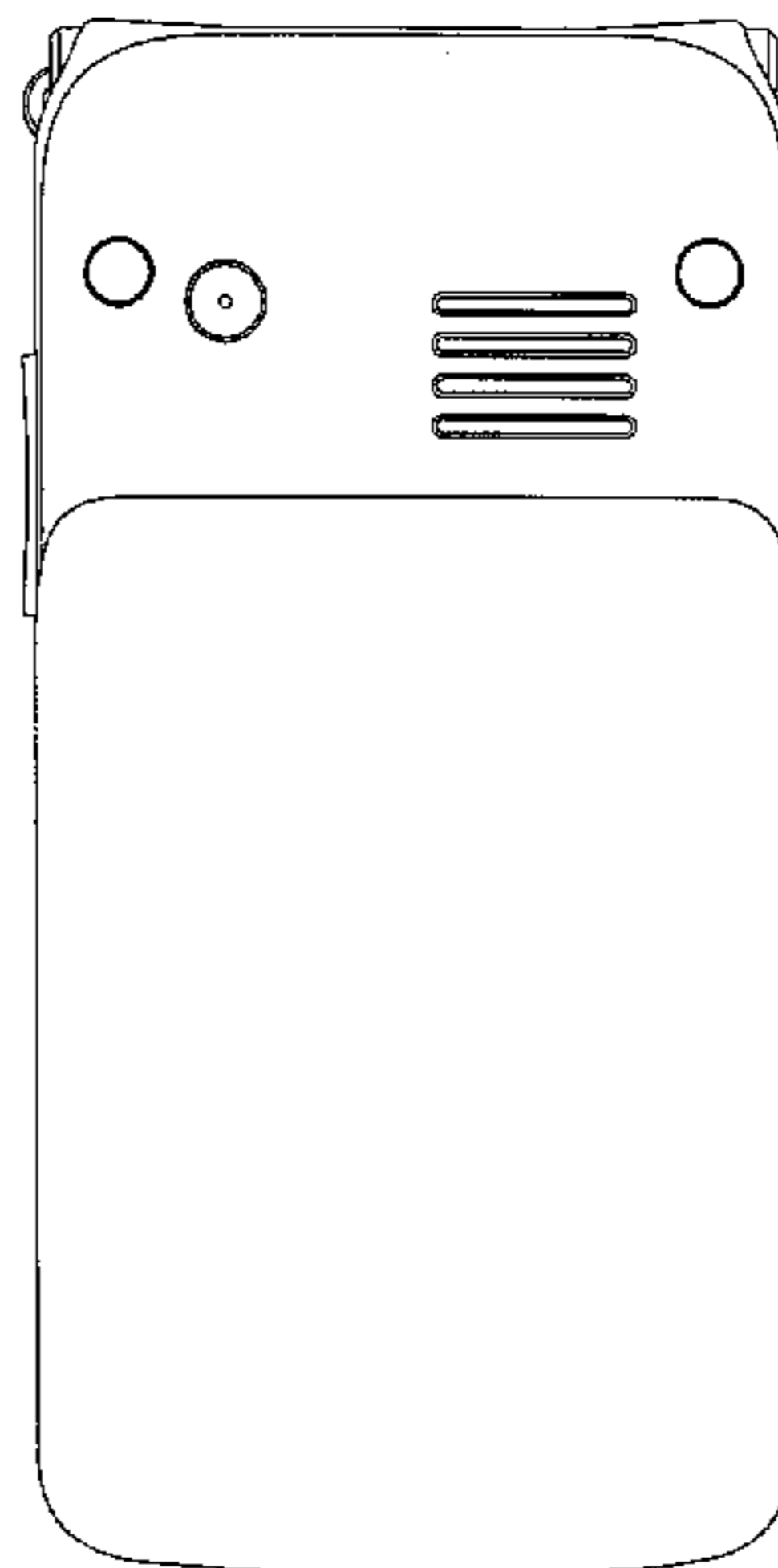
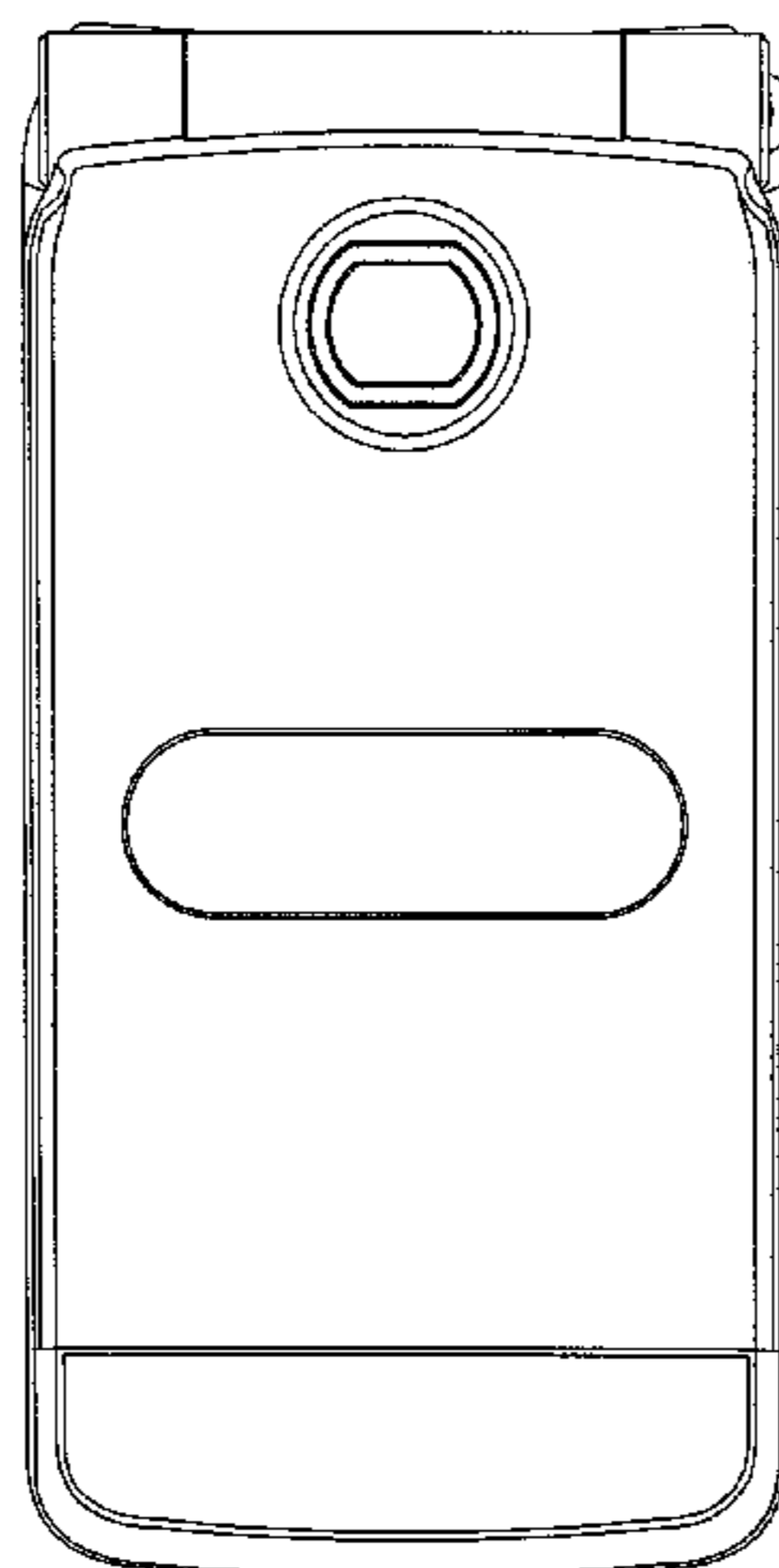
FIG. 9 is a rear view thereof;

FIG. 10 is a left side view thereof;

FIG. 11 is a right side view thereof; and,

FIG. 12 is a perspective view thereof.

**1 Claim, 9 Drawing Sheets**



OTHER PUBLICATIONS

Sony Ericsson Z770 telephone, announced Feb. 2008, [online], [site visited Dec. 6, 2008]. Available from Internet ,<URL: <http://www.gsmarena.com>>.\*

Motorola W270 telephone, announced Jan. 2008, [online], [site visited Dec. 6, 2008]. Available from Internet ,<URL: <http://www.gsmarena.com>>.\*

Sony Ericsson Z250 telephone, announced Jun. 2007, [online], [site visited Dec. 6, 2008]. Available from Internet ,<URL: <http://www.gsmarena.com>>.\*

Sony Ericsson TM506 telephone, announced Aug. 2008, [online], [site visited Dec. 6, 2008]. Available from Internet ,<URL: <http://www.gsmarena.com>>.\*

NEC e616 telephone, announced 4<sup>th</sup> quarter 2003, [online], [site visited Dec. 6, 2008]. Available from Internet ,<URL: <http://www.gsmarena.com>>.\*

Pantech PG-2800 telephone, announced May 2006, [online], [site visited Dec. 6, 2008]. Available from Internet ,<URL: <http://www.gsmarena.com>>.\*

\* cited by examiner

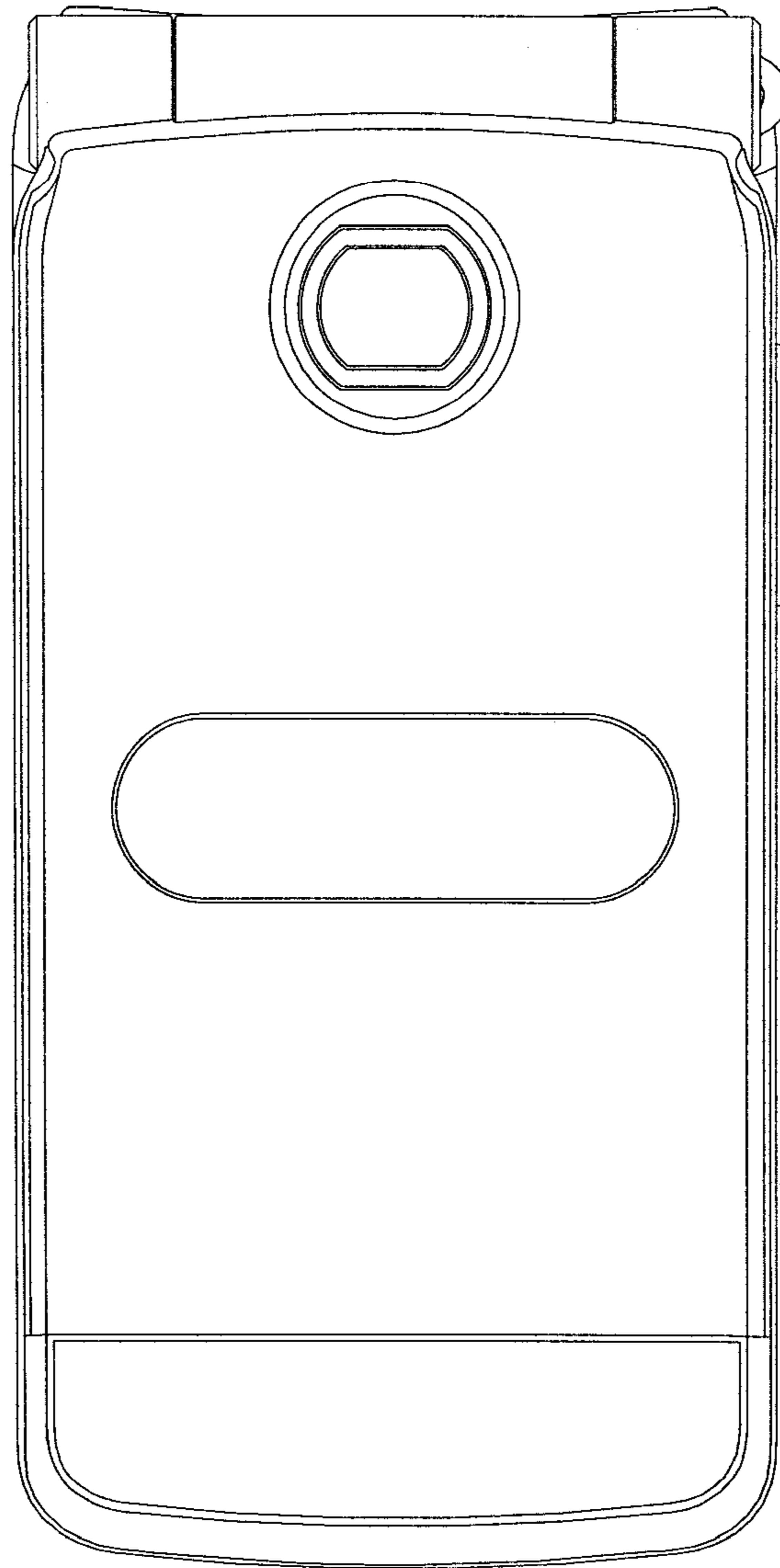


FIG. 1

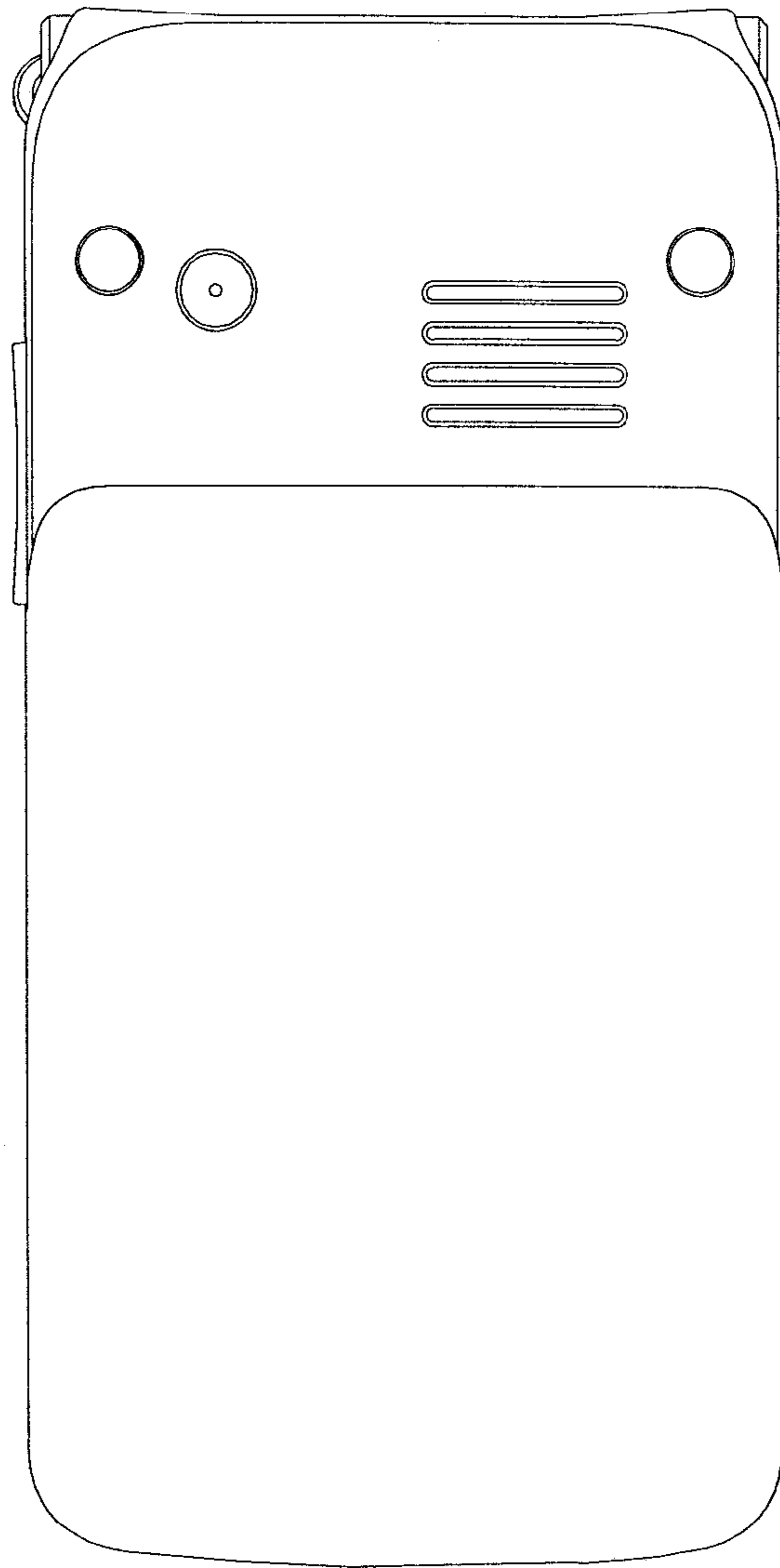


FIG. 2

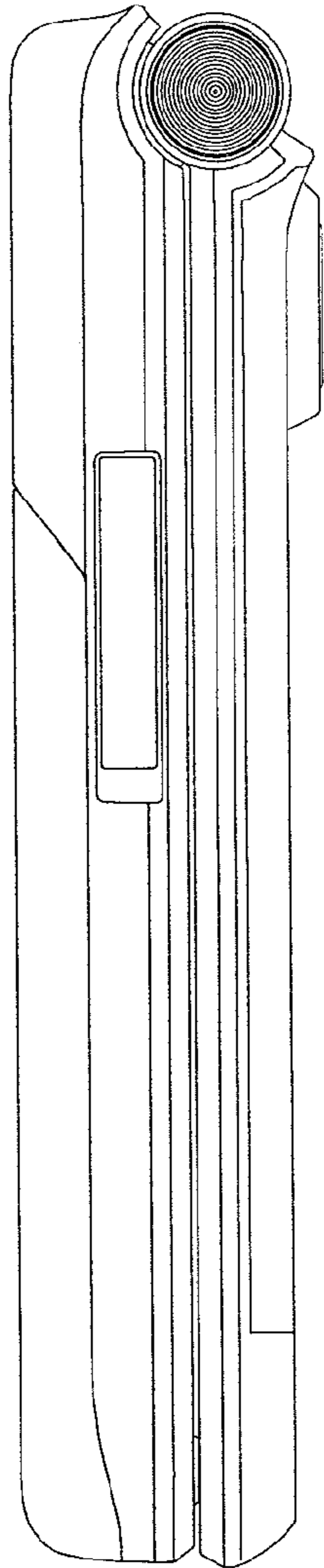


FIG. 3

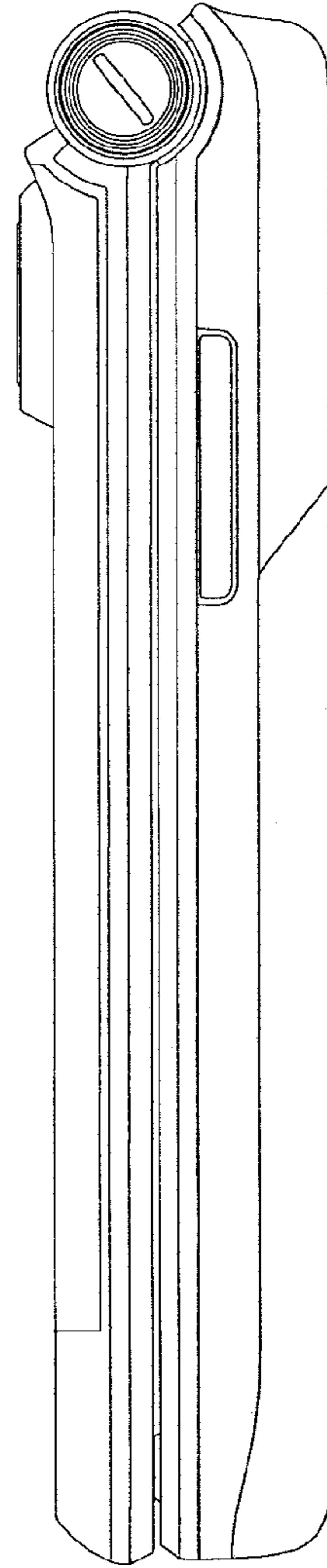


FIG. 4

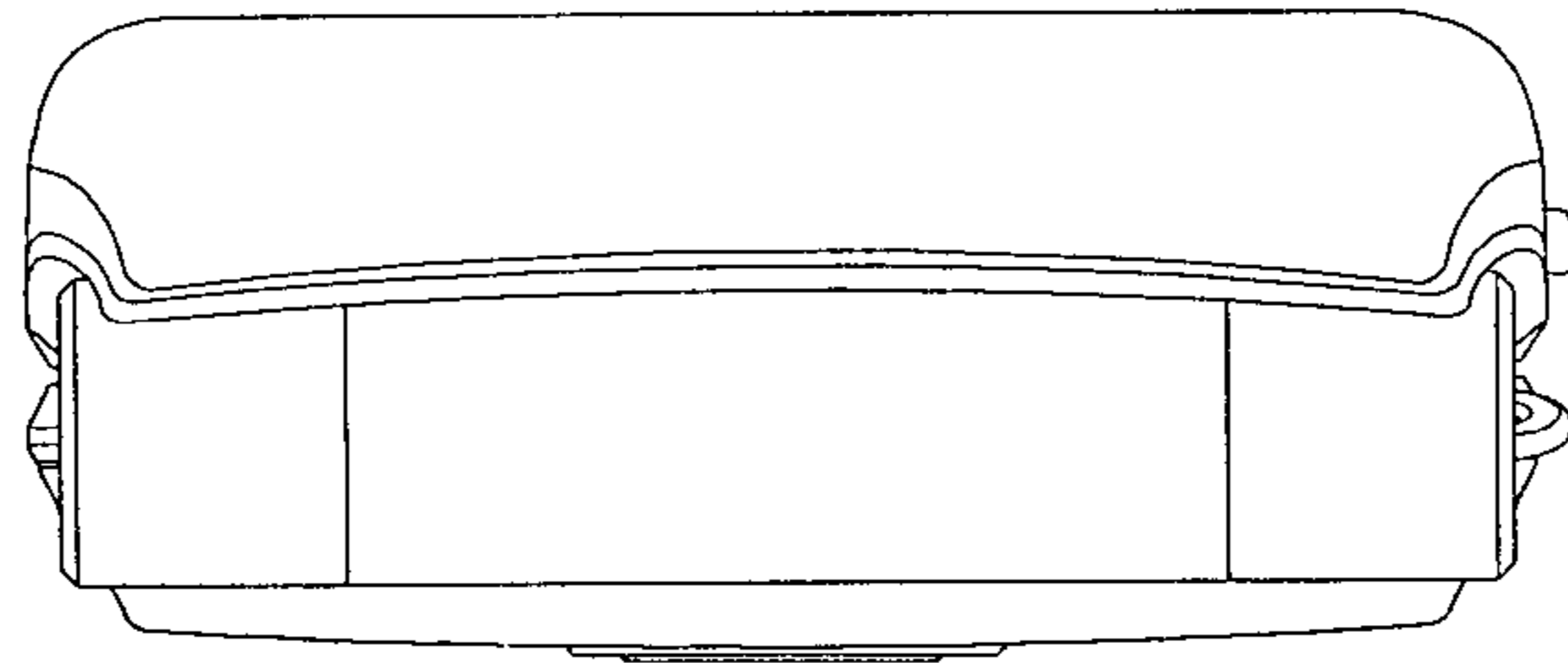


FIG. 5

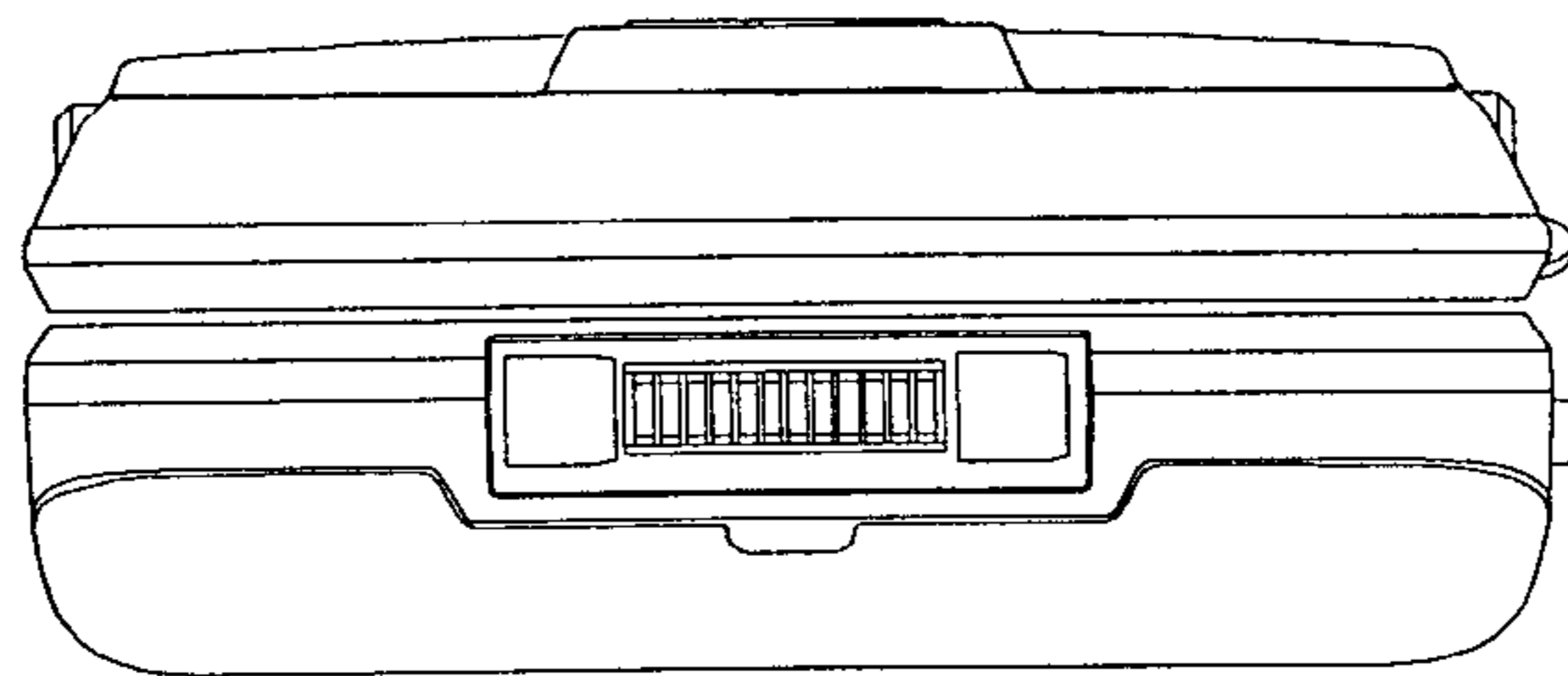


FIG. 6

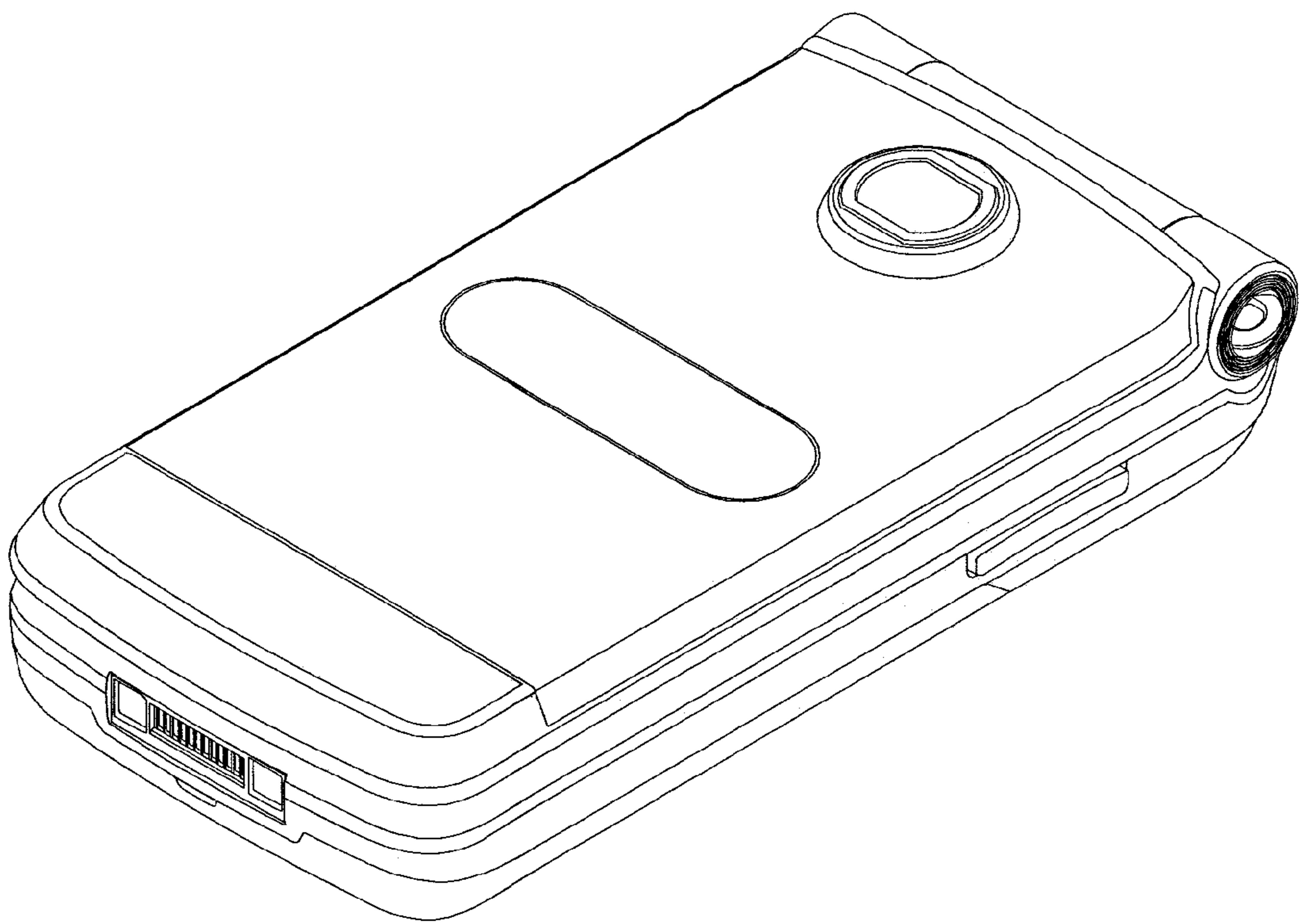


FIG. 7

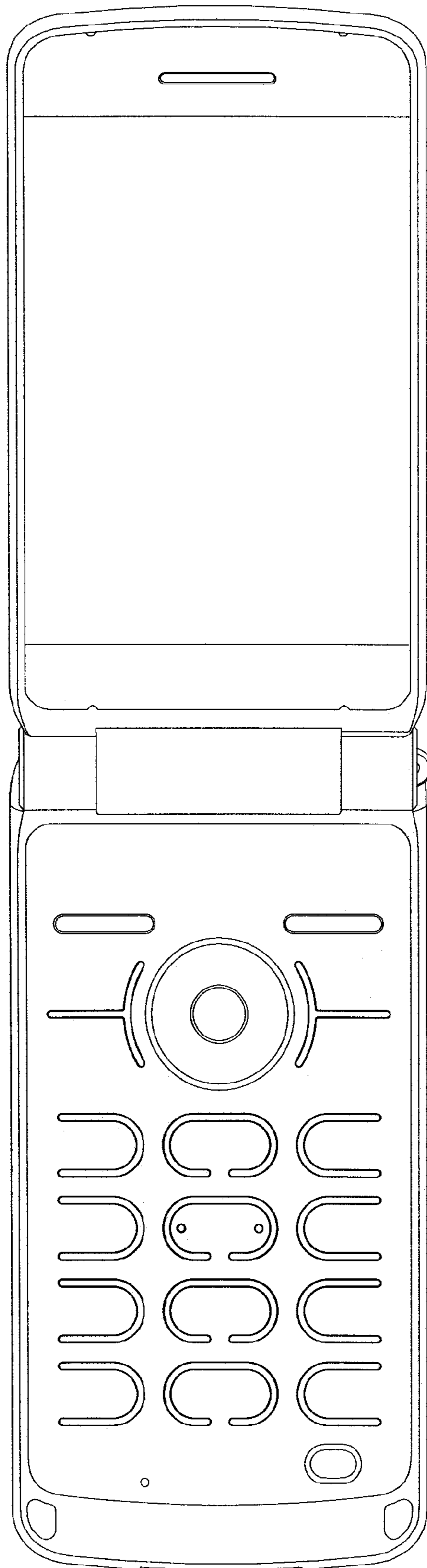


FIG. 8



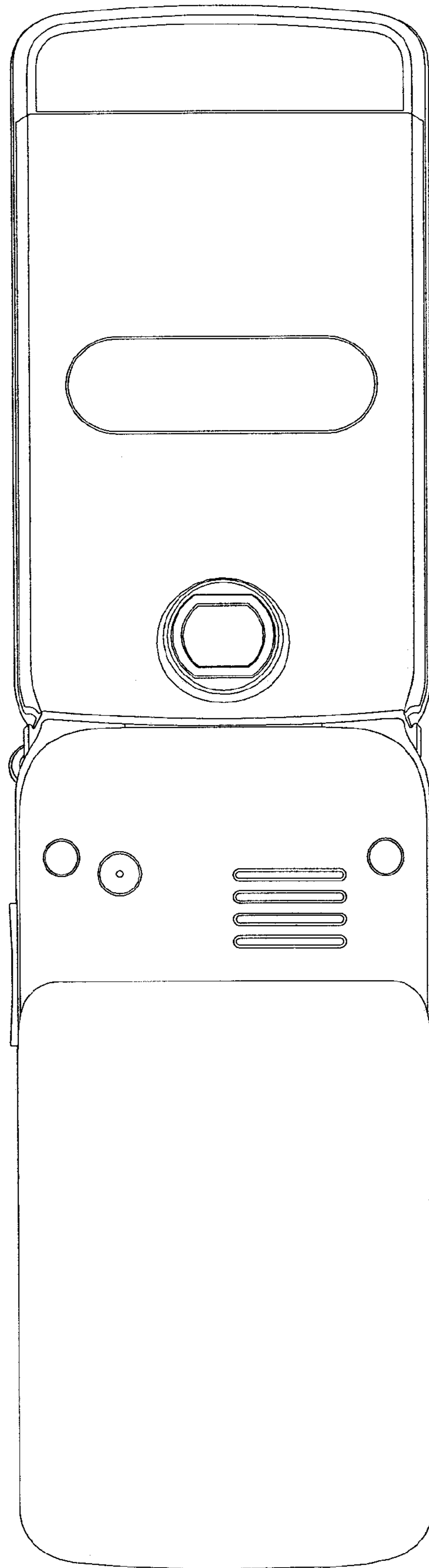


FIG. 9

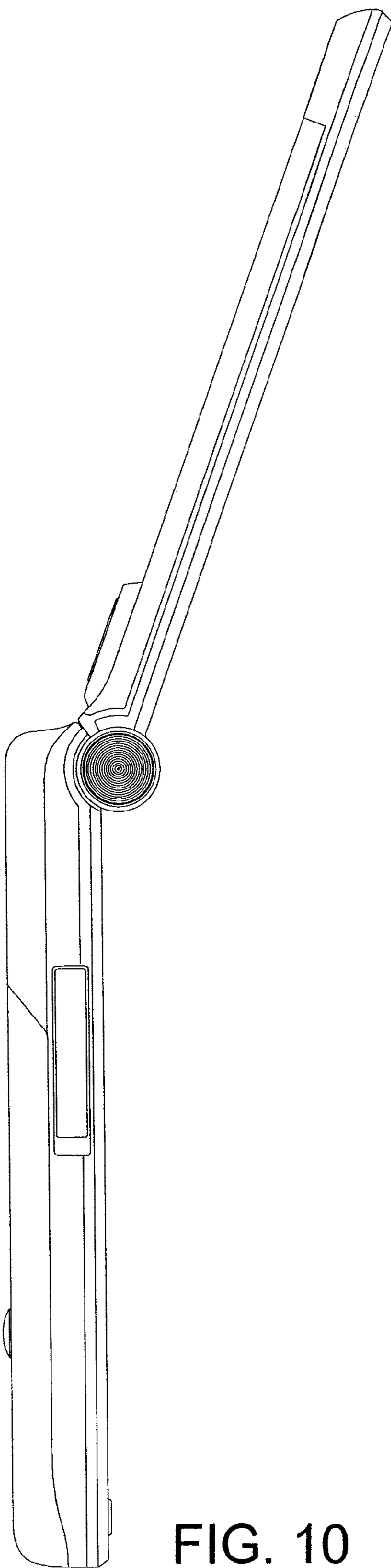


FIG. 10

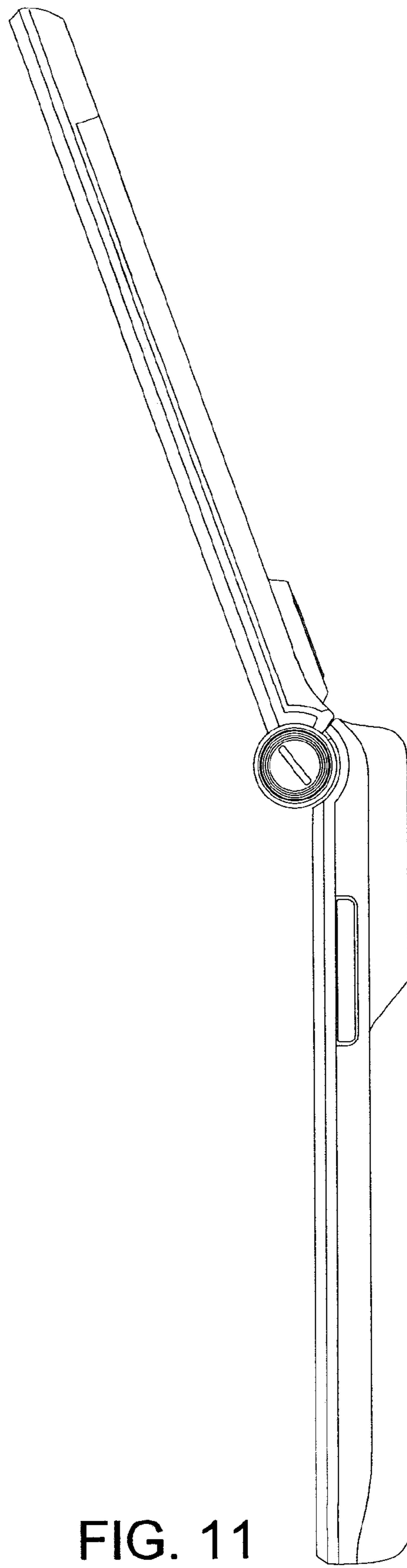


FIG. 11

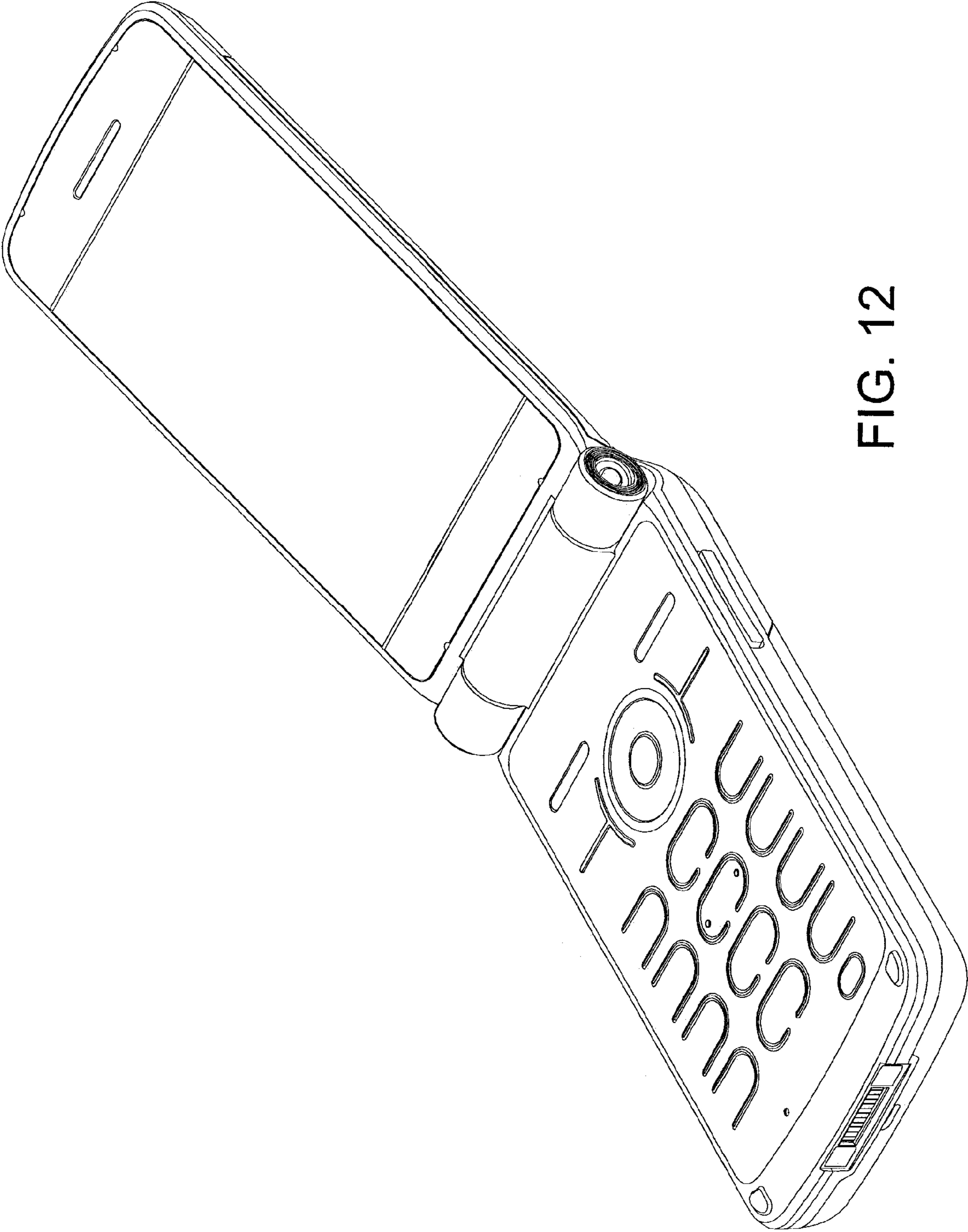


FIG. 12