



US00D593046S

(12) **United States Design Patent**  
**Pozin et al.**

(10) **Patent No.:** **US D593,046 S**

(45) **Date of Patent:** **\*\* May 26, 2009**

(54) **ELECTRONIC IMAGE DISPLAY**

(75) Inventors: **Eric Pozin**, Davie, FL (US); **Kenneth Lucas**, Deerfield Beach, FL (US)

(73) Assignee: **Atico International, USA**, Fort Lauderdale, FL (US)

(\*\*) Term: **14 Years**

(21) Appl. No.: **29/321,931**

(22) Filed: **Jul. 25, 2008**

(51) **LOC (9) Cl.** ..... **14-03**

(52) **U.S. Cl.** ..... **D14/127**

(58) **Field of Classification Search** ..... D14/125-134, D14/239, 371, 136, 374-377, 440, 450, 448, D14/336, 342; 312/7.2; 348/836, 838, 180, 348/184, 325, 739; 341/12; 248/917-924, 248/465; 345/104, 133, 156, 168, 87, 173; 720/605, 669, 600, 655; 369/99, 197; 455/344, 455/347; D21/329, 515, 577, 622, 333, 433, D21/448, 452, 450, 331; D6/477, 479; 273/148 B; 446/484, 175, 356; D10/15, 26  
See application file for complete search history.

(56) **References Cited**

**U.S. PATENT DOCUMENTS**

D213,592 S \* 3/1969 Anders ..... D14/127

3,450,454 A \* 6/1969 Anders ..... 312/198  
D297,236 S \* 8/1988 Tiffin ..... D14/127  
D345,217 S \* 3/1994 Pearlson ..... D25/16  
D347,839 S \* 6/1994 Carota ..... D14/127  
D369,788 S \* 5/1996 Yanos et al. .... D14/306  
5,523,790 A \* 6/1996 Kalua ..... 312/7.2  
D395,041 S \* 6/1998 Leveridge et al. .... D14/373  
D415,744 S \* 10/1999 Carter et al. .... D14/373  
D439,223 S \* 3/2001 Sheckler ..... D14/125  
D544,848 S \* 6/2007 Marz et al. .... D14/126  
D563,917 S \* 3/2008 Kobayashi et al. .... D14/127  
2006/0172787 A1 \* 8/2006 Ellis et al. .... 463/1

\* cited by examiner

*Primary Examiner*—Raphael Barkai

(74) *Attorney, Agent, or Firm*—Casimir Jones, S.C.

(57) **CLAIM**

The ornamental design for an electronic image display, as shown and described.

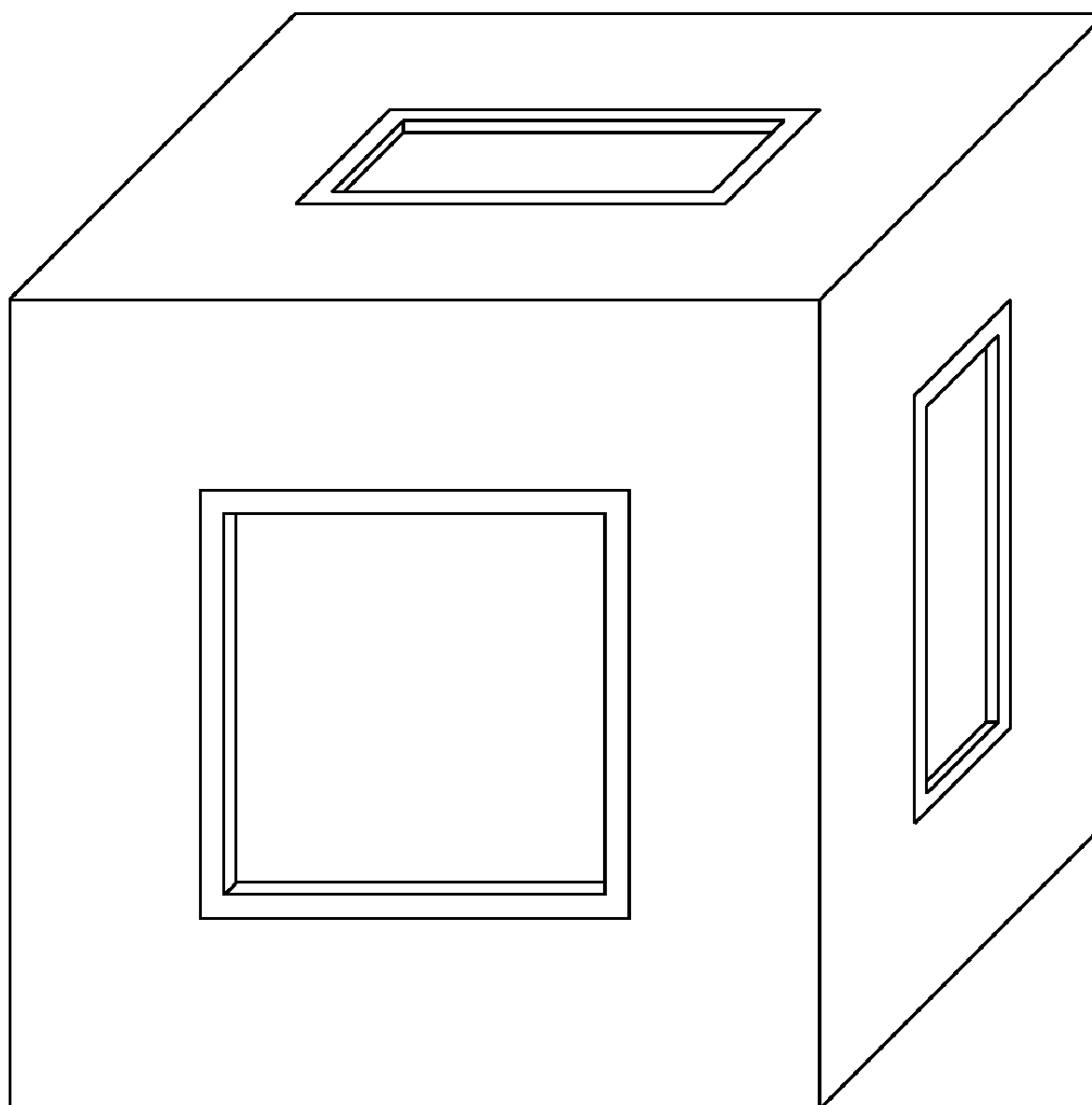
**DESCRIPTION**

FIG. 1 is a front elevational view showing our new design (the front, rear, left side, and right side elevational views and top plan view being identical);

FIG. 2 is a bottom plan view thereof; and,

FIG. 3 is a front perspective view thereof (the front, rear, left side, right side, and top perspective views being identical).

**1 Claim, 1 Drawing Sheet**



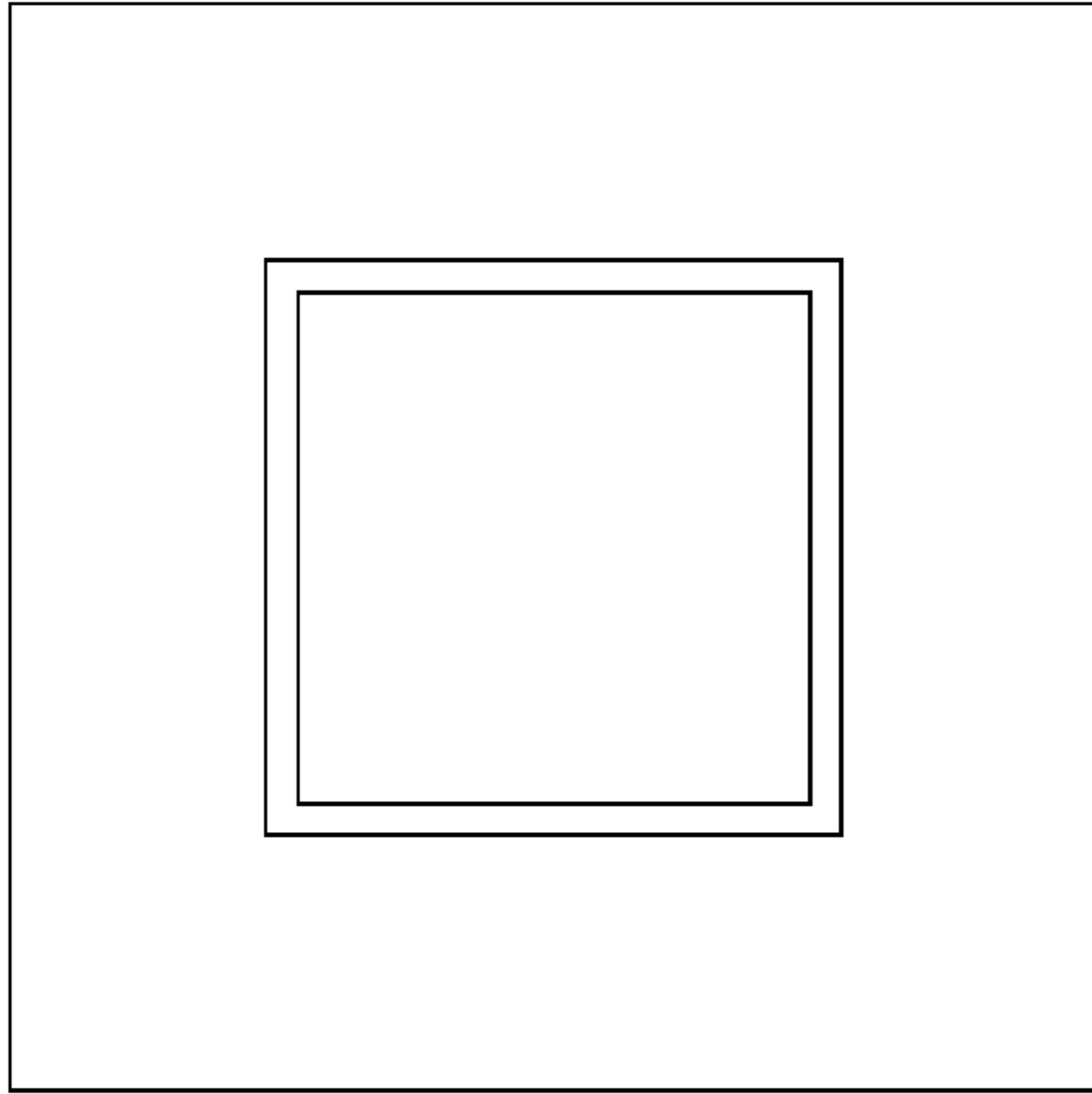


FIG. 1

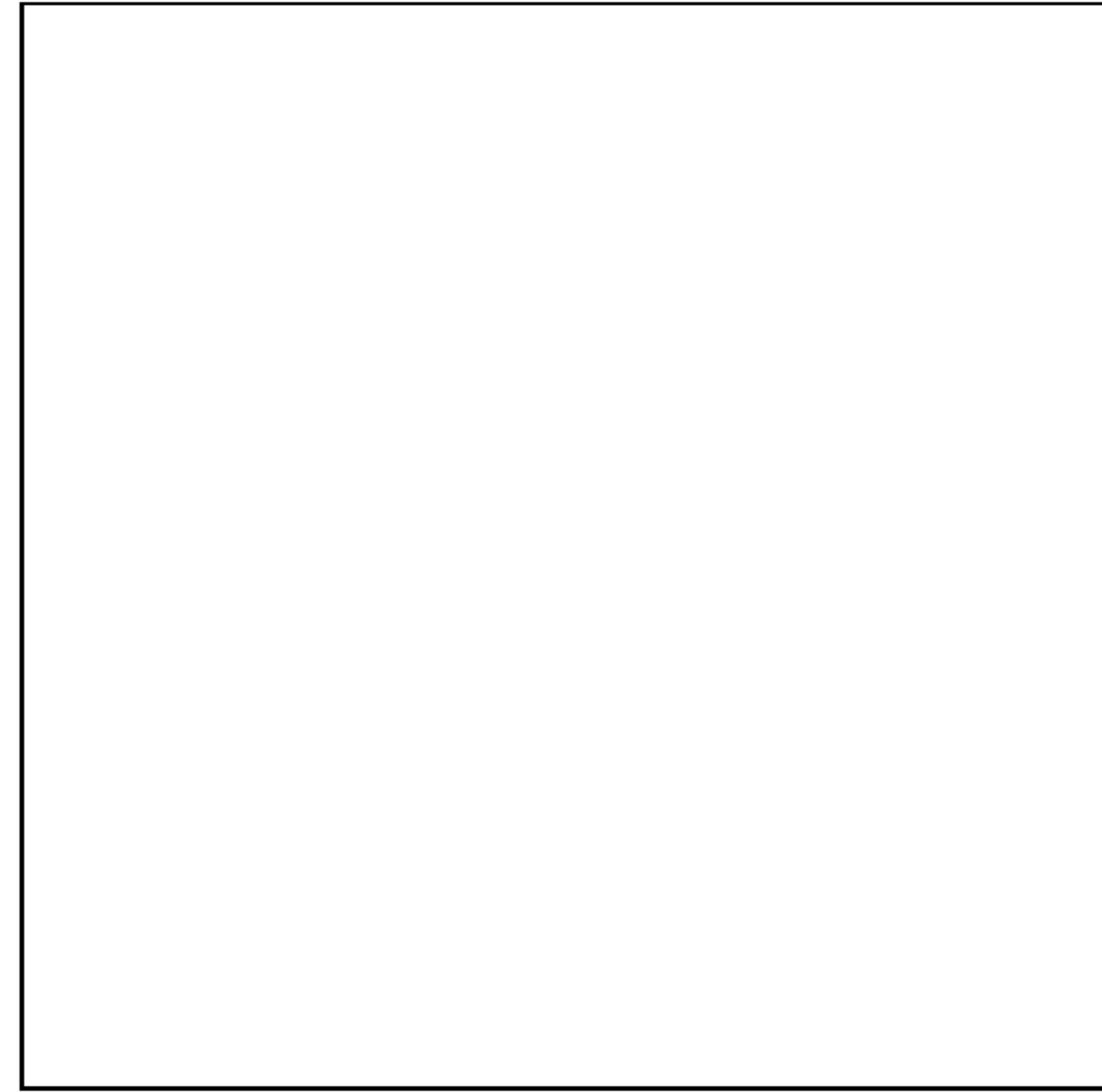


FIG. 2

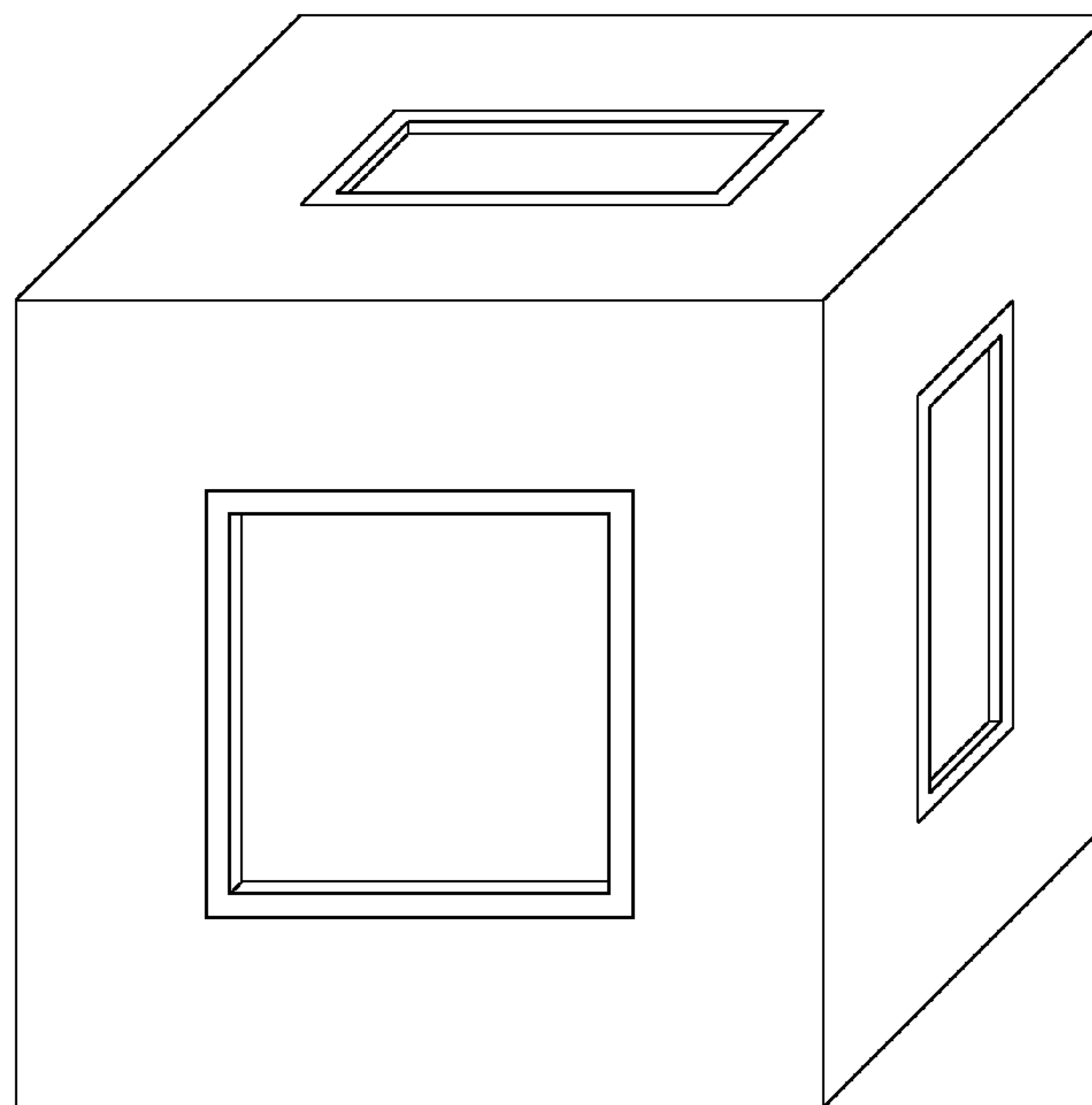


FIG. 3