



US00D593044S

(12) **United States Design Patent**
Chen

(10) **Patent No.:** **US D593,044 S**
(45) **Date of Patent:** **** May 26, 2009**

(54) **LIGHT EMITTING MODULE**

(75) Inventor: **Jen-Shyan Chen**, Hsinchu (TW)

(73) Assignee: **Neobulb Technologies, Inc.**, Bandar Seri Begawan (BN)

(**) Term: **14 Years**

(21) Appl. No.: **29/300,978**

(22) Filed: **Jun. 6, 2008**

(30) **Foreign Application Priority Data**

Feb. 1, 2008 (TW) 97300609

(51) **LOC (9) Cl.** **13-03**

(52) **U.S. Cl.** **D13/180; D13/179**

(58) **Field of Classification Search** D13/179,
D13/180; D26/2; 257/80, 81, 88, 89, 95,
257/98, 99, 100; 313/483, 498, 500; 362/294,
362/555, 800

See application file for complete search history.

(56) **References Cited**

U.S. PATENT DOCUMENTS

7,255,463 B2 * 8/2007 Wang et al. 362/373
D573,112 S * 7/2008 Xu D13/179
2003/0214810 A1 * 11/2003 Zhang 362/294
2006/0082972 A1 * 4/2006 Kim 361/709

2006/0102324 A1 * 5/2006 Mok et al. 165/104.33
2007/0253202 A1 * 11/2007 Wu et al. 362/294
2008/0007954 A1 * 1/2008 Li 362/294
2008/0212325 A1 * 9/2008 Wang 362/294
2008/0253125 A1 * 10/2008 Kang et al. 362/294
2009/0009999 A1 * 1/2009 Wang et al. 362/249

* cited by examiner

Primary Examiner—Selina Sikder

(74) *Attorney, Agent, or Firm*—Reed Smith LLP; Juan Carlos A. Marquez, Esq.

(57) **CLAIM**

The ornamental design for a light emitting module, as shown and described.

DESCRIPTION

FIG. 1 is a perspective view of a light-emitting module showing our design;

FIG. 2 is another perspective view thereof;

FIG. 3 is a front elevation view thereof;

FIG. 4 is a rear elevation view thereof;

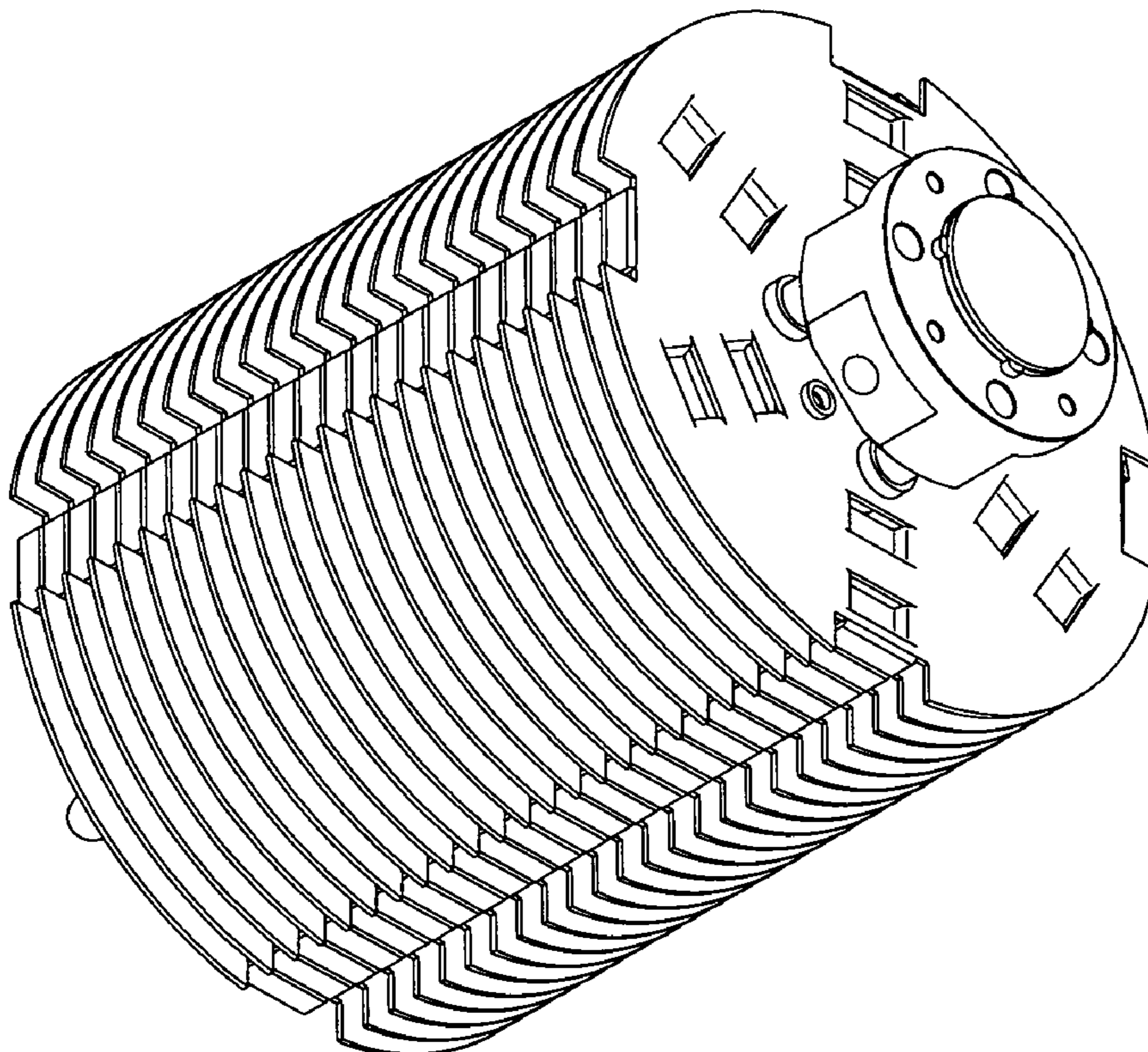
FIG. 5 is a left elevation view thereof;

FIG. 6 is a right elevation view thereof;

FIG. 7 is a top plan view thereof; and,

FIG. 8 is a bottom plan view thereof.

1 Claim, 5 Drawing Sheets



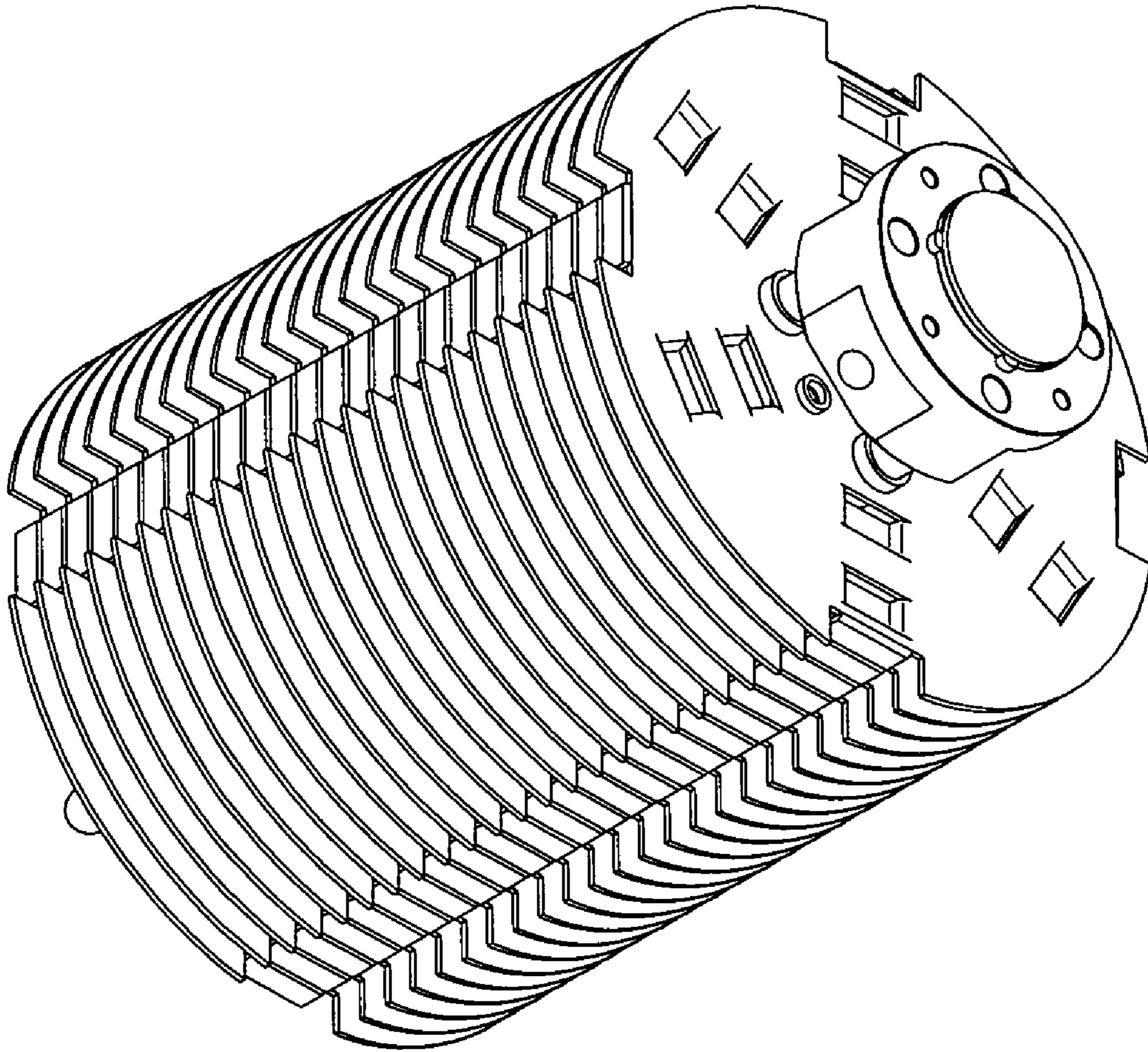


FIG. 1

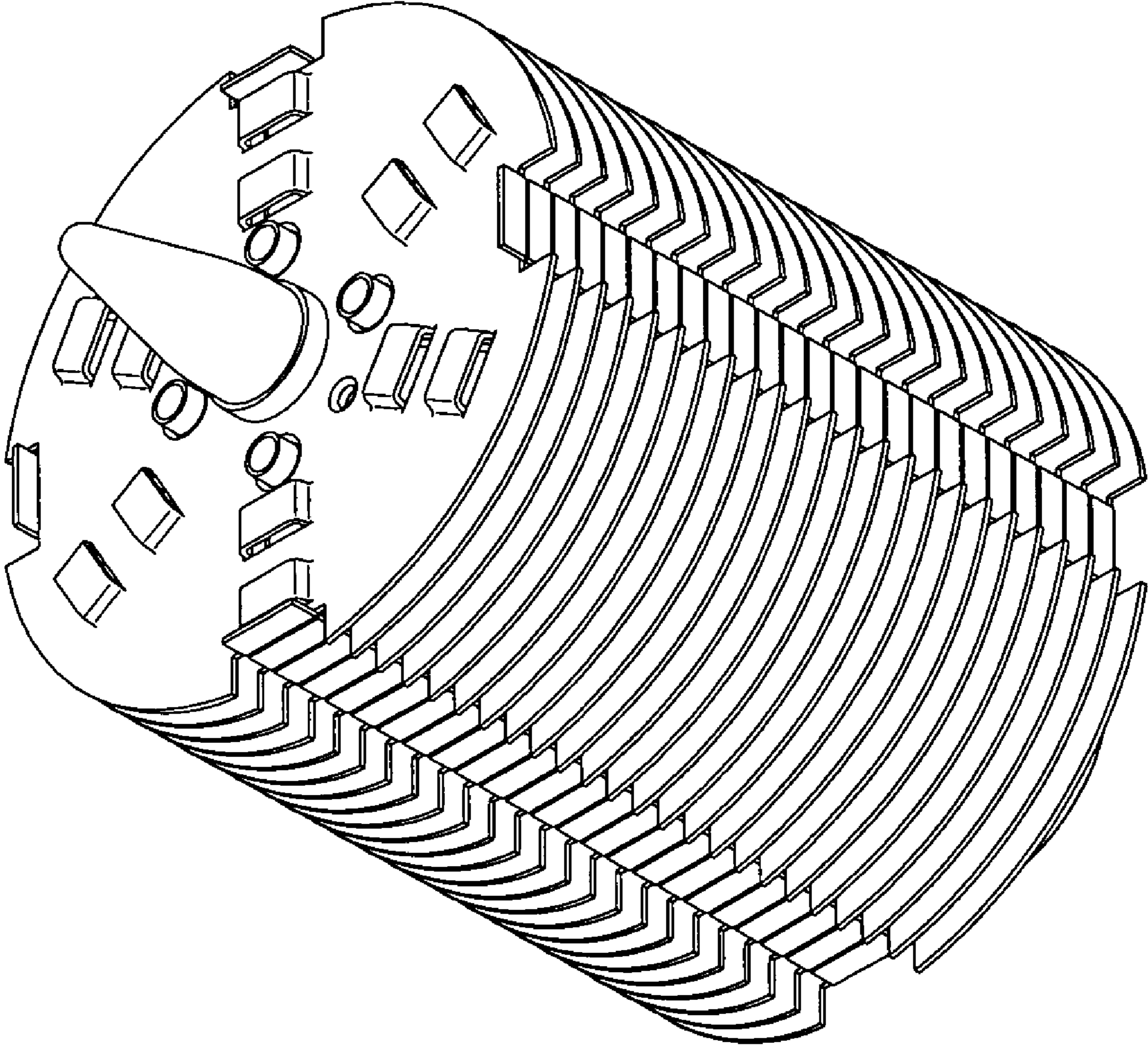


FIG. 2

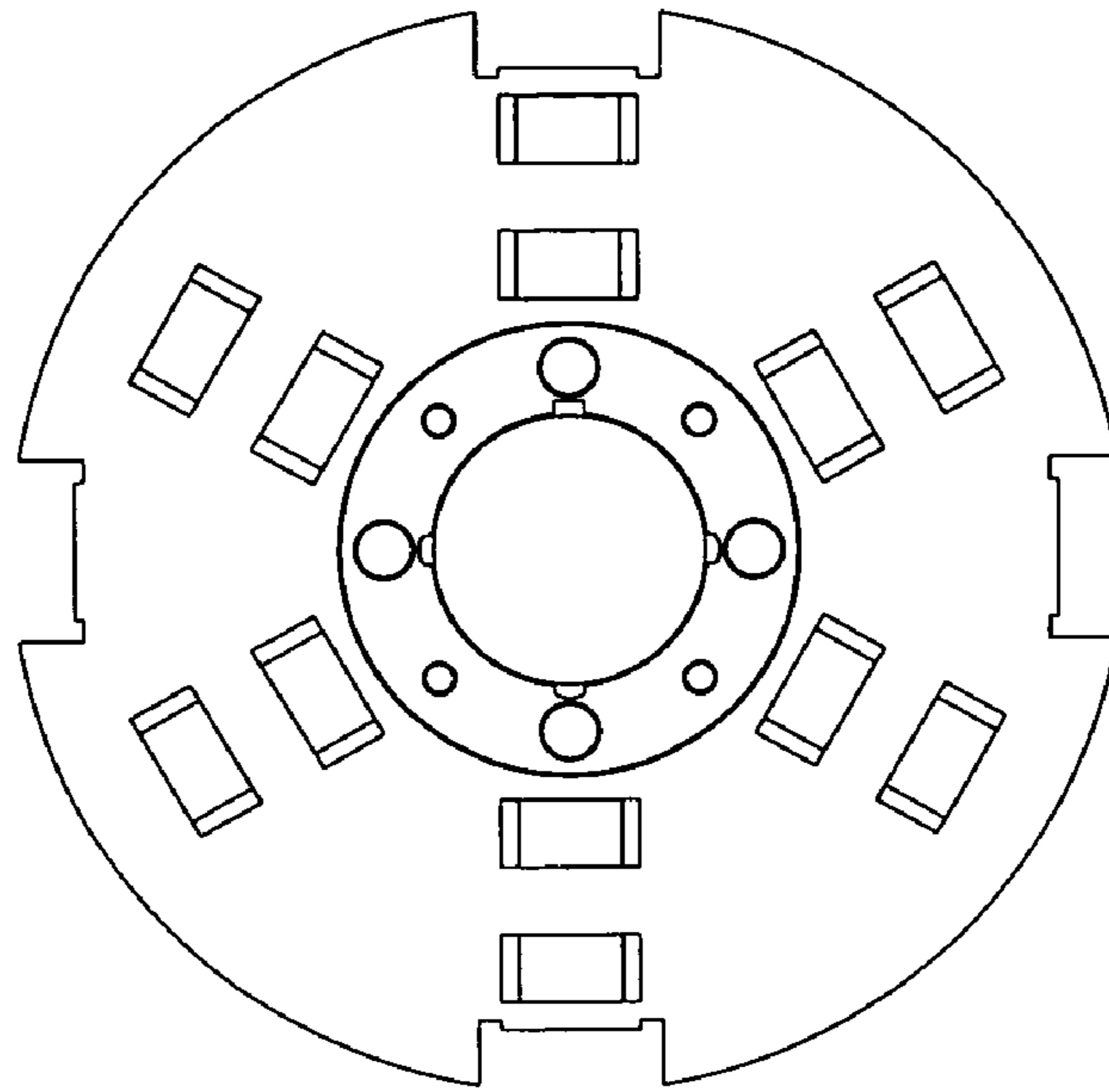


FIG. 3

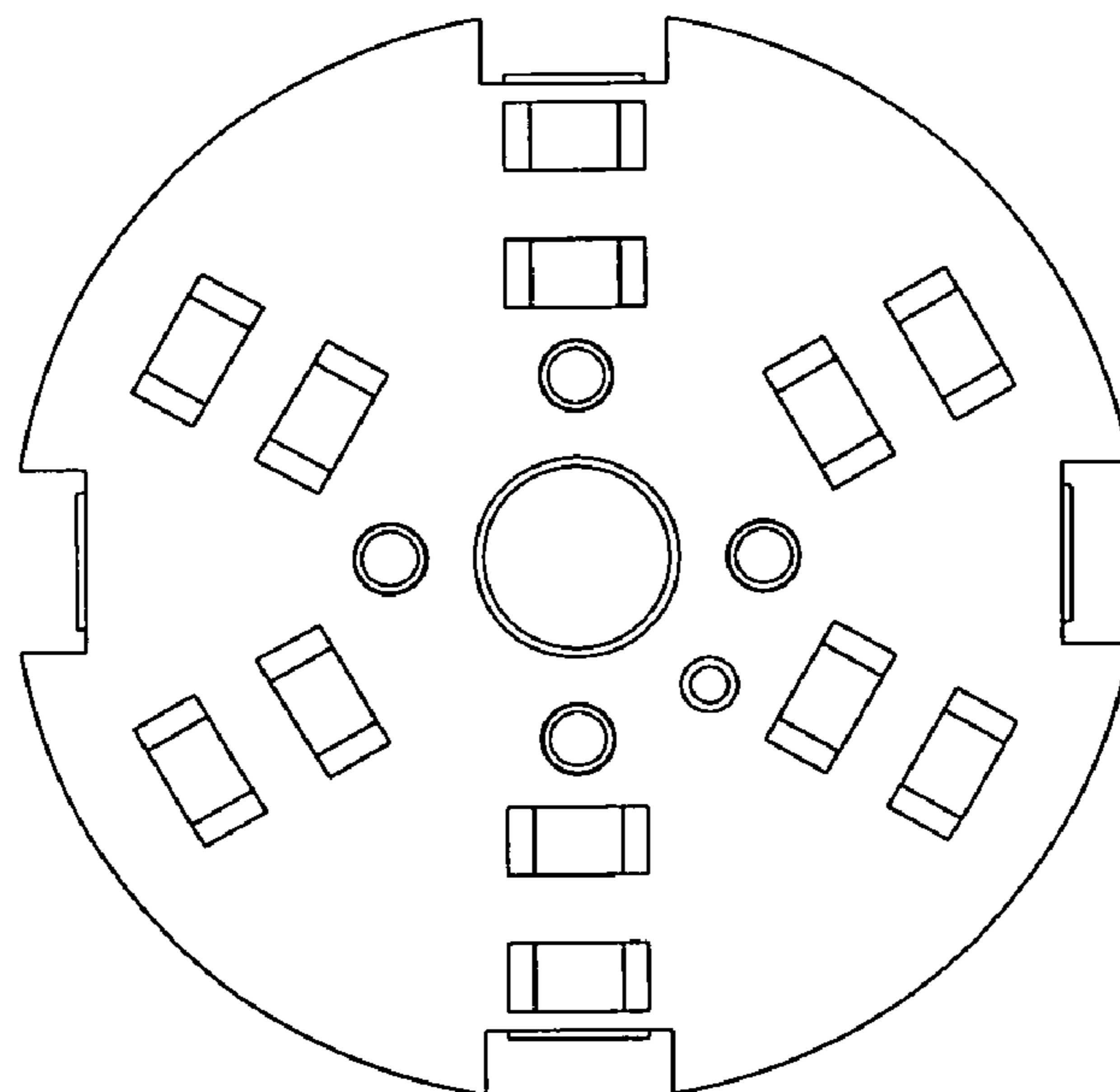


FIG. 4

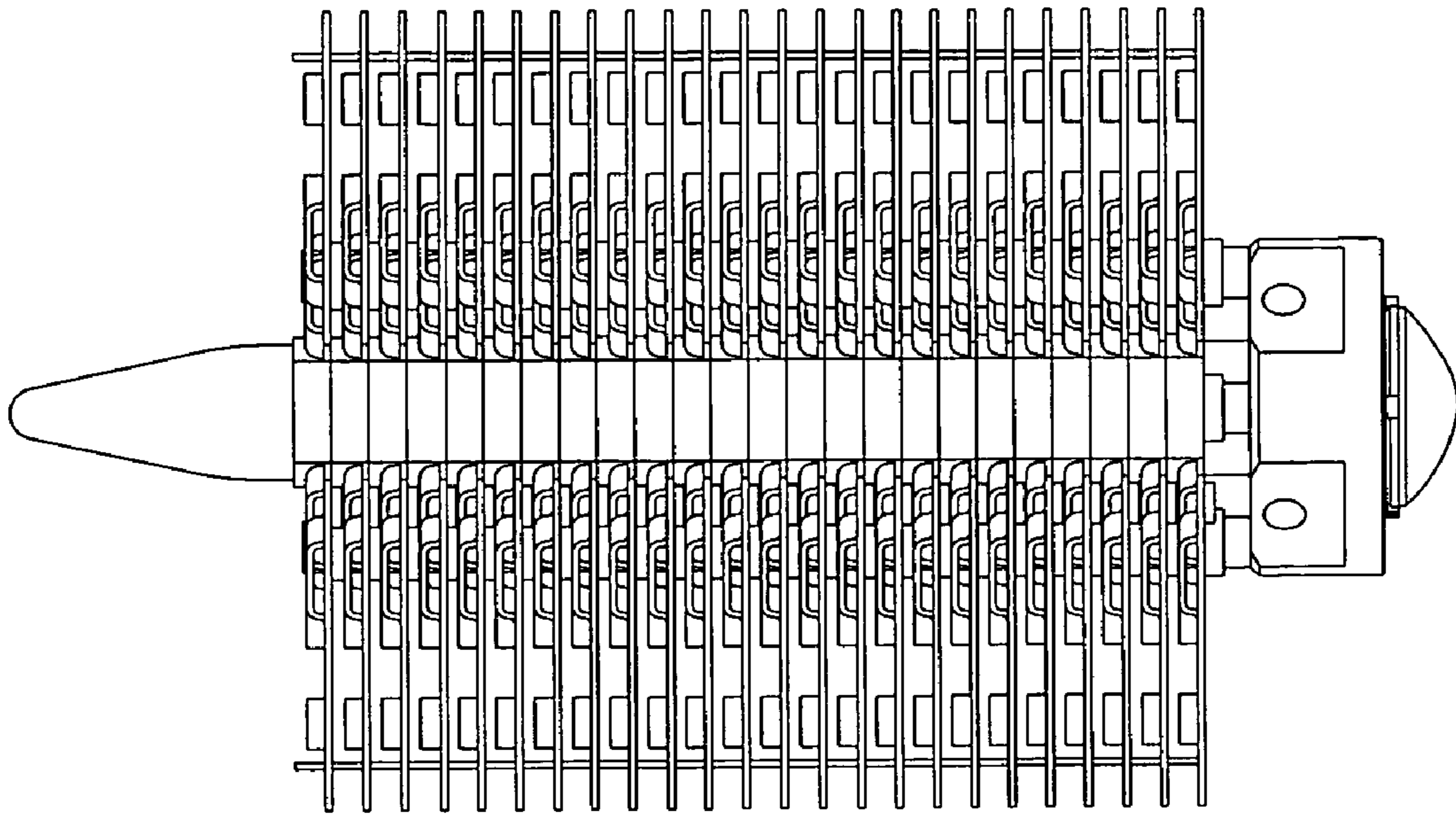


FIG. 5

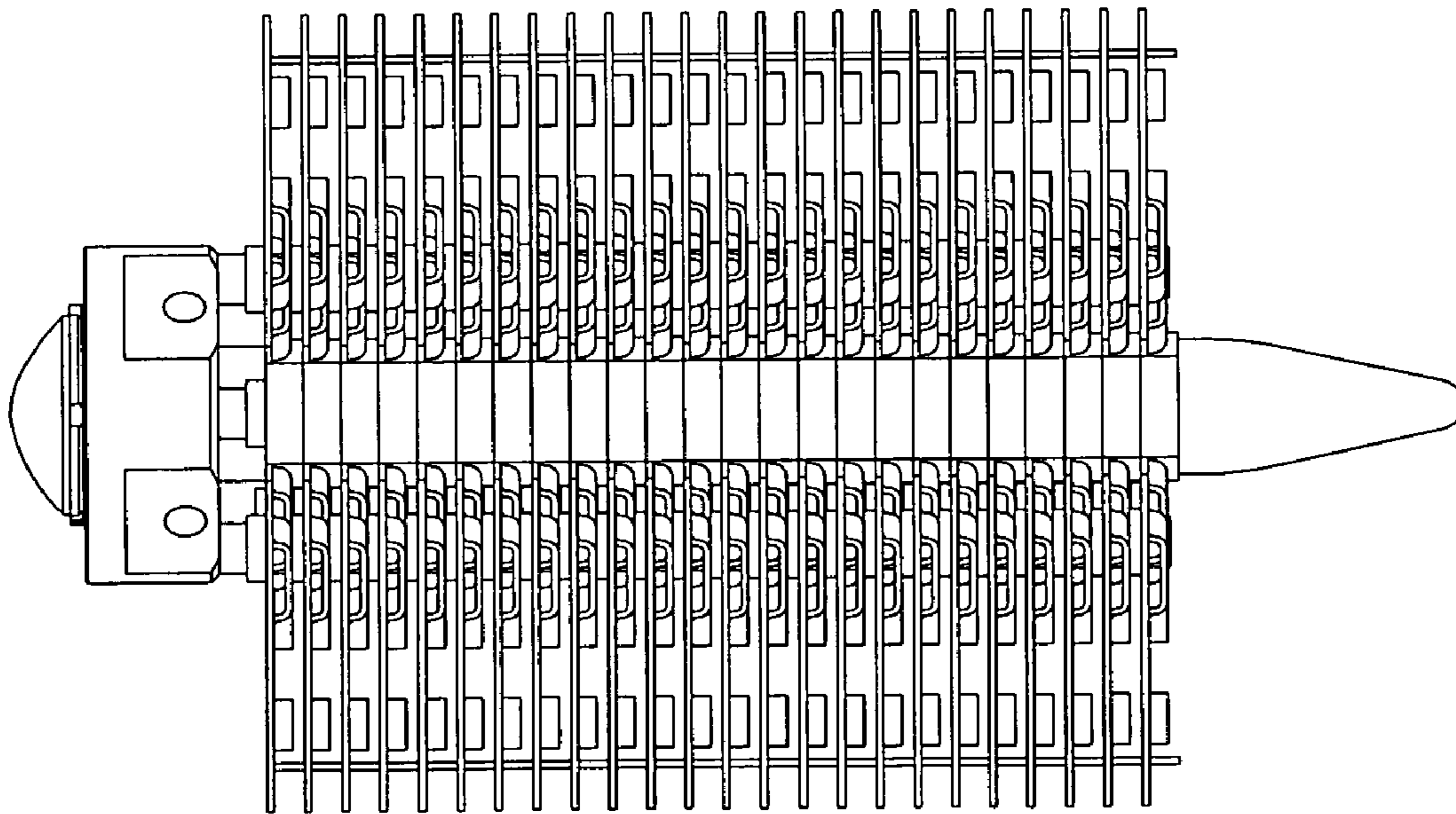


FIG. 6

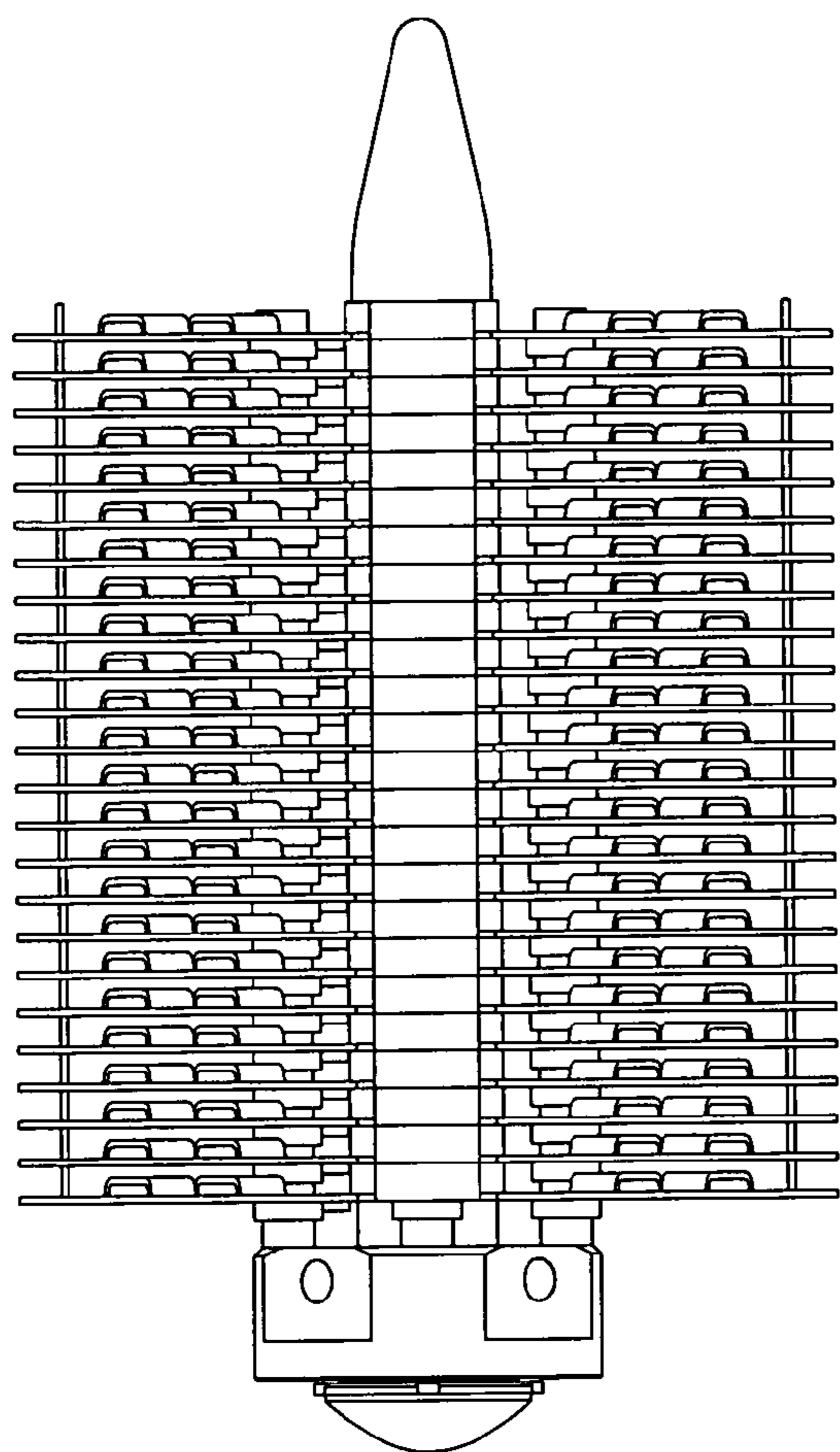


FIG. 7

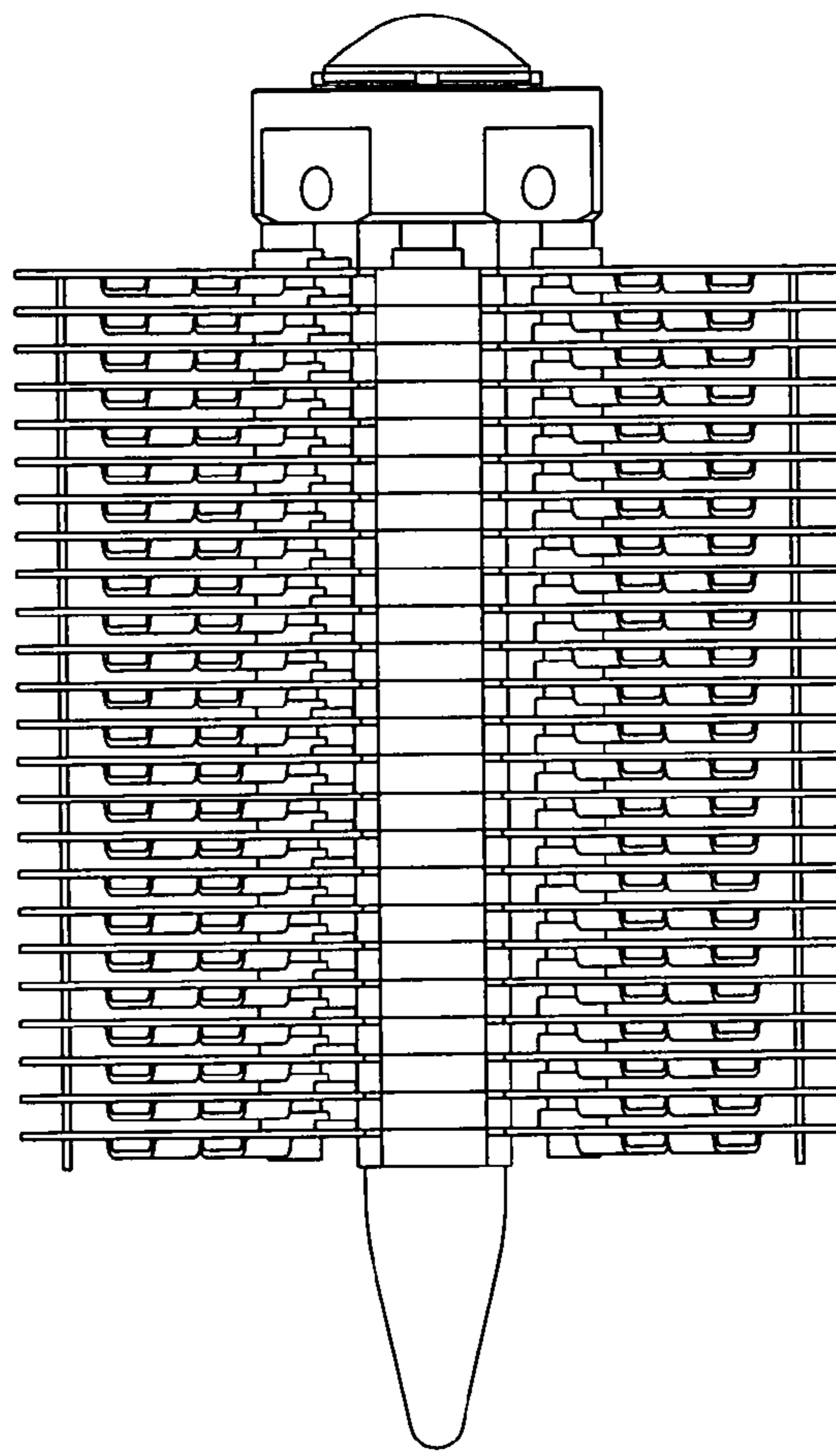


FIG. 8