



US00D593043S

(12) **United States Design Patent**  
**Song**

(10) **Patent No.:** **US D593,043 S**

(45) **Date of Patent:** **\*\* May 26, 2009**

(54) **LIGHT EMITTING DIODE**

(75) **Inventor:** **Chang Ho Song**, Seoul (KR)

(73) **Assignee:** **Samsung Electro-Mechanics Co., Ltd.**,  
Kyungki-Do (KR)

(\*\*) **Term:** **14 Years**

(21) **Appl. No.:** **29/271,203**

(22) **Filed:** **Jan. 12, 2007**

(30) **Foreign Application Priority Data**

Jul. 14, 2006 (KR) ..... 30-2006-0029842

(51) **LOC (9) Cl.** ..... **13-03**

(52) **U.S. Cl.** ..... **D13/180**

(58) **Field of Classification Search** ..... D13/180;  
D26/2; 257/79, 80, 81, 88, 89, 95, 98, 99,  
257/100; 313/483, 498, 500; 362/555, 800  
See application file for complete search history.

(56) **References Cited**

**U.S. PATENT DOCUMENTS**

6,586,721 B2 \* 7/2003 Estevez-Garcia ..... 250/221  
D510,912 S \* 10/2005 Asakawa ..... D13/180  
D512,029 S 11/2005 Kim et al.  
D512,694 S 12/2005 Kim et al.

D517,027 S \* 3/2006 Suenaga ..... D13/180  
D551,180 S \* 9/2007 Song et al. .... D13/180  
2003/0098459 A1 \* 5/2003 Horiuchi et al. .... 257/81  
2004/0041222 A1 \* 3/2004 Loh ..... 257/433

**FOREIGN PATENT DOCUMENTS**

KR 30-0376598-1 6/2005

\* cited by examiner

*Primary Examiner*—Selina Sikder

(74) *Attorney, Agent, or Firm*—McDermott Will & Emery  
LLP

(57) **CLAIM**

I claim the ornamental design for the light-emitting diode, as  
shown and described.

**DESCRIPTION**

FIG. 1 is the perspective view of the light-emitting diode

FIG. 2 is the front view thereof

FIG. 3 is the rear view thereof

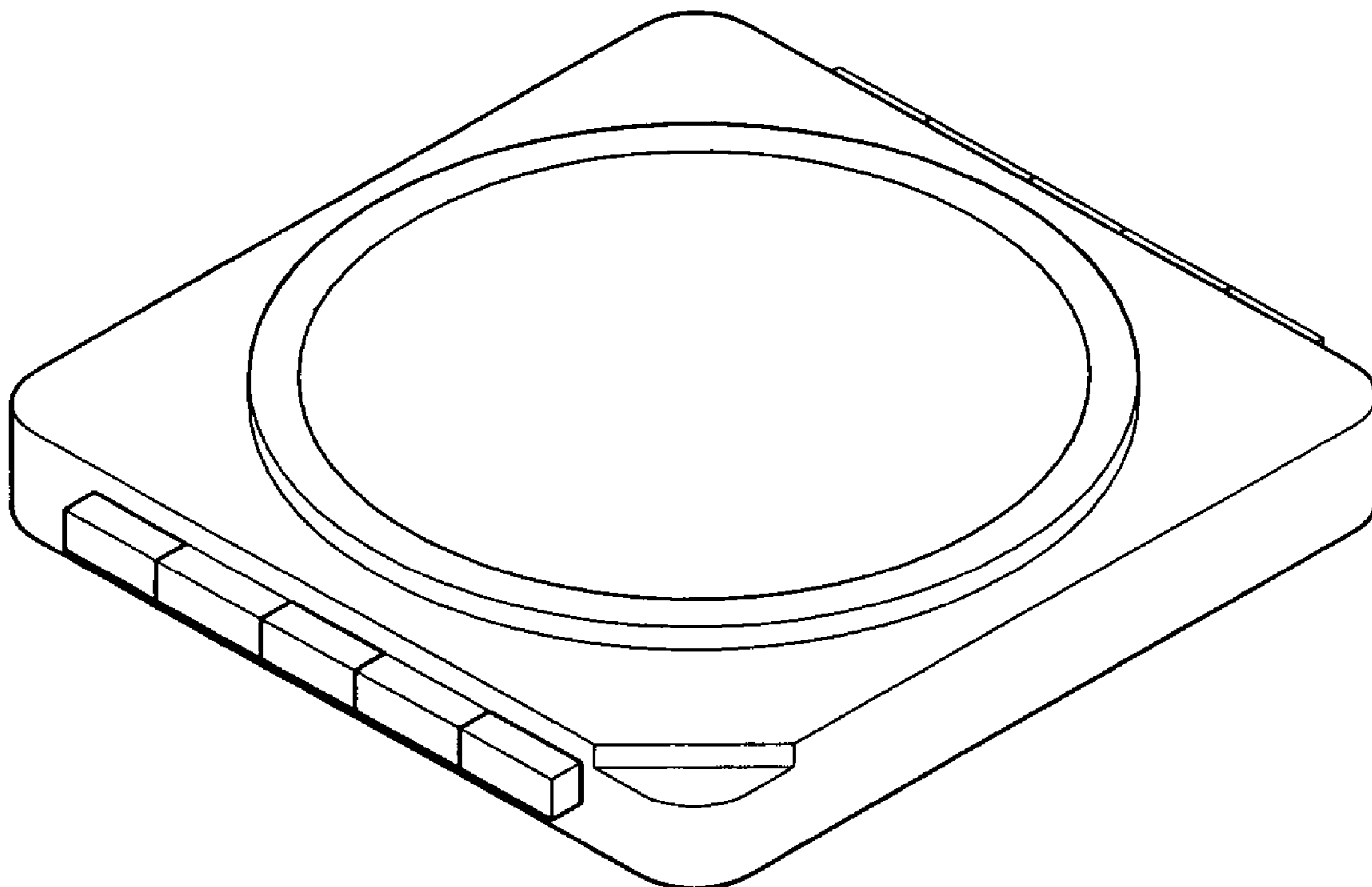
FIG. 4 is the left side view thereof

FIG. 5 is the right side view thereof

FIG. 6 is the top plan view thereof; and,

FIG. 7 is the bottom view thereof.

**1 Claim, 3 Drawing Sheets**



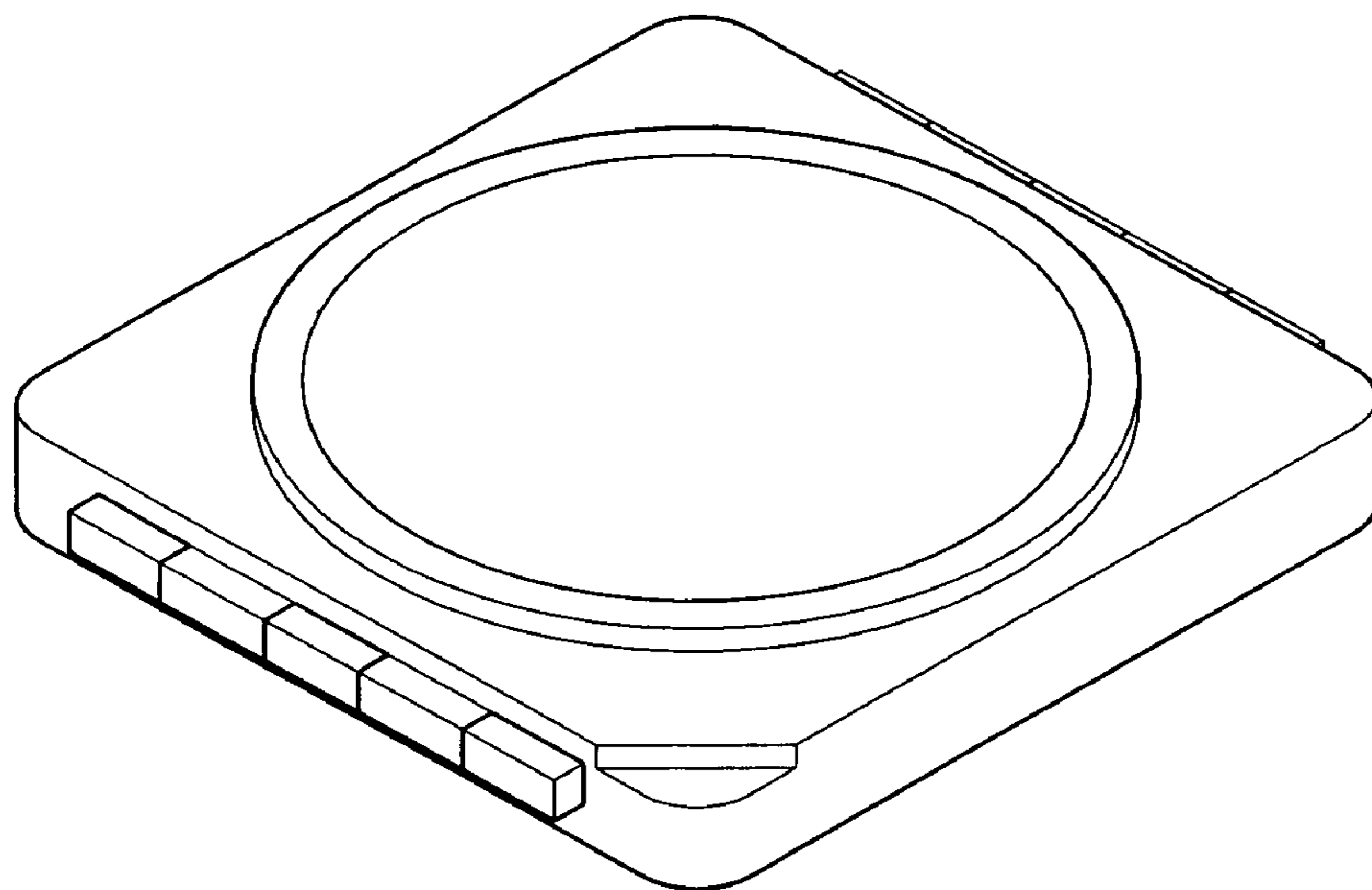


FIG. 1

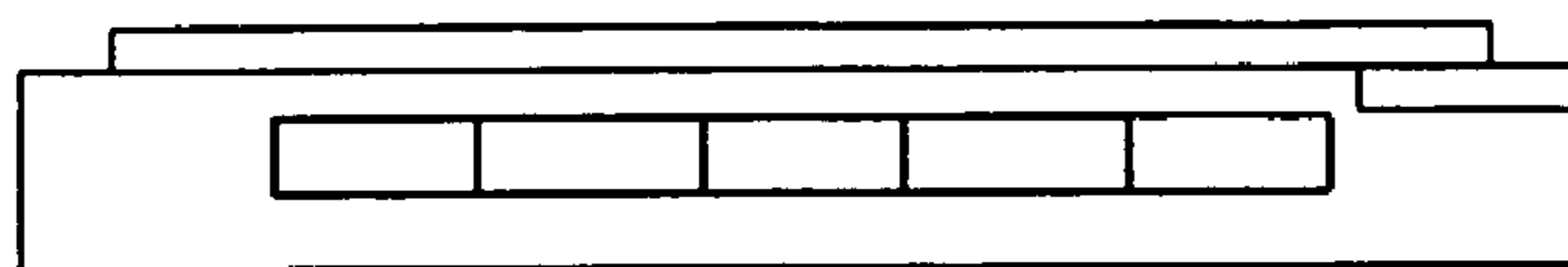


FIG. 2

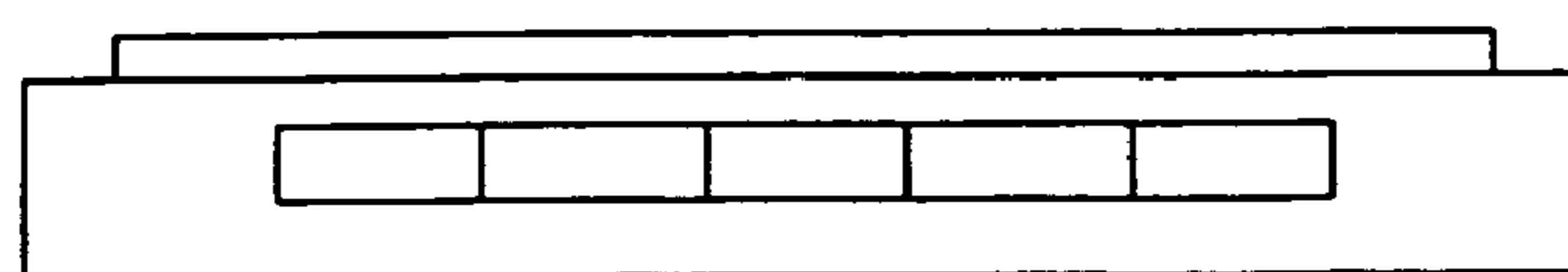


FIG. 3

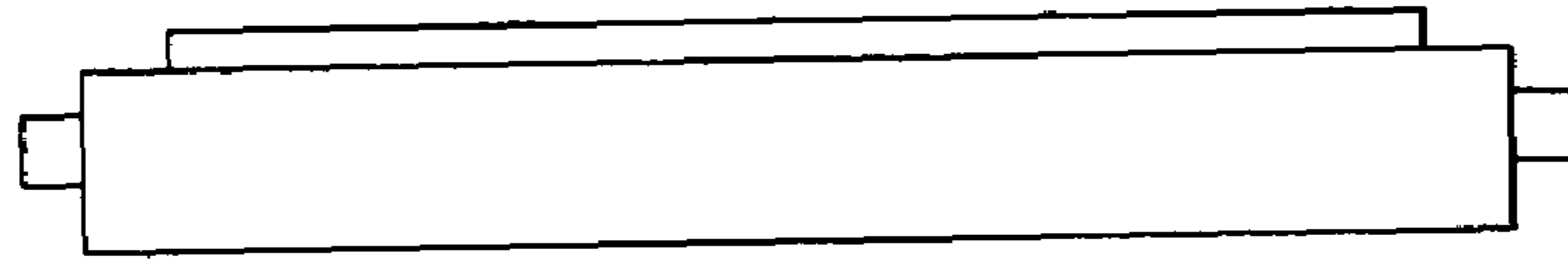


FIG. 4

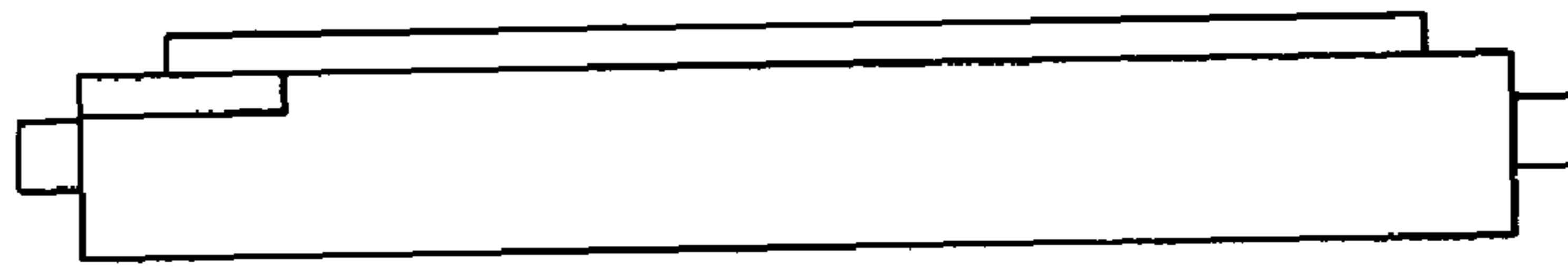


FIG. 5

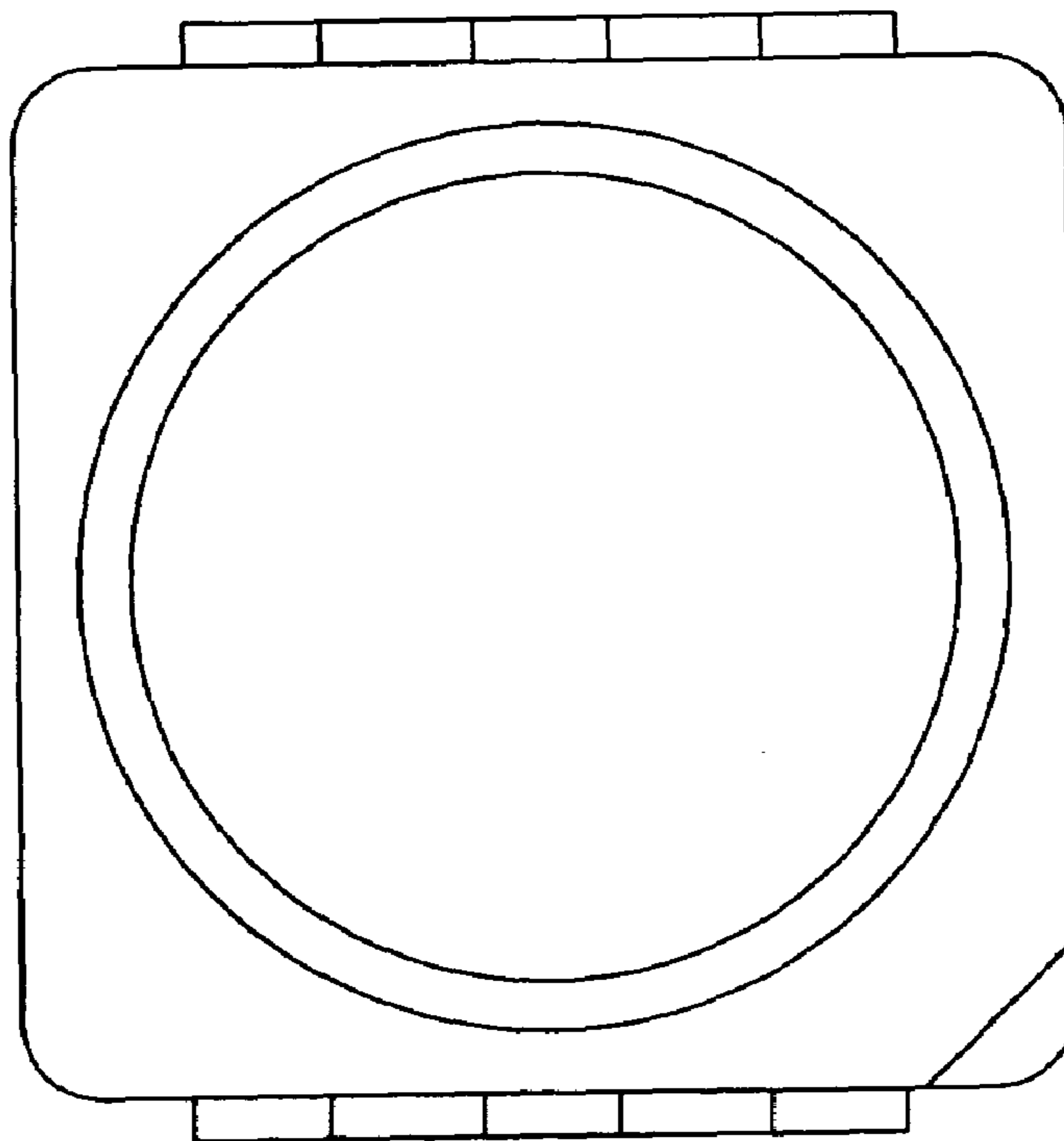


FIG. 6

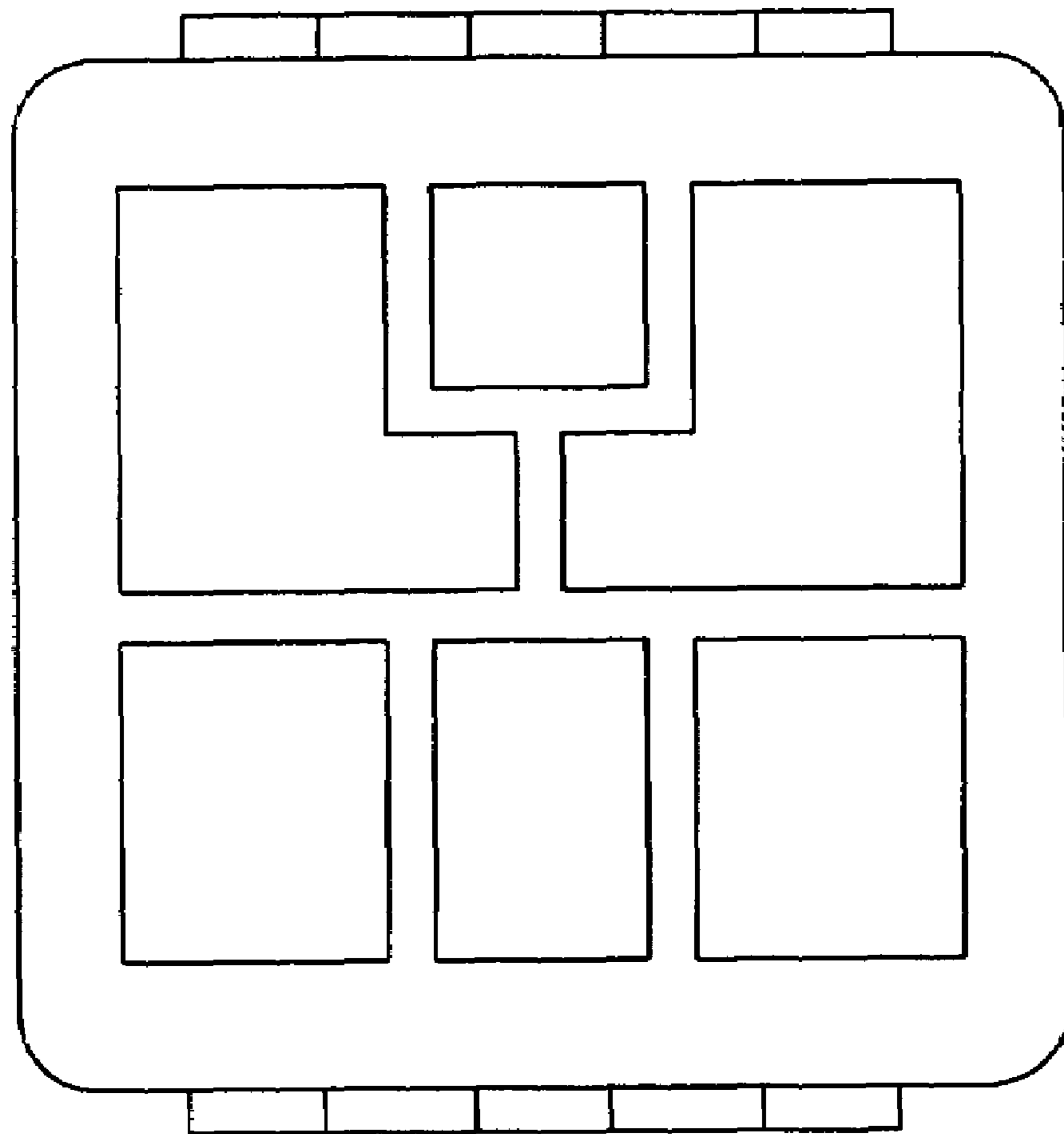


FIG. 7