

US00D593041S

(12) **United States Design Patent**
Kamishima et al.

(10) **Patent No.:** **US D593,041 S**

(45) **Date of Patent:** **** May 26, 2009**

(54) **REMOTE CONTROLLER**

D564,977 S * 3/2008 Youn et al. D13/168

(75) Inventors: **Osamu Kamishima**, Toyama (JP); **Eri Otsuka**, Tokyo (JP); **Tsubasa Hayase**, Tokyo (JP); **Kumiko Kataoka**, Toyama (JP)

* cited by examiner

Primary Examiner—Selina Sikder

(74) *Attorney, Agent, or Firm*—Darby & Darby PC

(73) Assignee: **SMK Corporation**, Tokyo (JP)

(57) **CLAIM**

(**) Term: **14 Years**

The ornamental design for remote controller, as shown and described.

(21) Appl. No.: **29/317,274**

DESCRIPTION

(22) Filed: **Apr. 25, 2008**

FIG. 1 is a top plan view of an embodiment of our new design for a remote controller;

(30) **Foreign Application Priority Data**

Dec. 13, 2007 (JP) 2007-034113

FIG. 2 is a bottom plan view thereof;

(51) **LOC (9) Cl.** **14-03**

(52) **U.S. Cl.** **D13/168**

(58) **Field of Classification Search** D13/168;

FIG. 3 is a right side elevational view thereof;

D10/104, 106; D14/218, 247; 340/825.22,

FIG. 4 is a left side elevational view thereof;

340/825.24, 825.25, 825.31, 825.36, 825.69,

FIG. 5 is a perspective view thereof, including the top, right and rear sides;

340/825.72; 341/20, 22, 23, 34, 176; 345/156,

FIG. 6 is another perspective view thereof, including the bottom, left and front sides;

345/158, 169; 348/734; 455/92, 95, 100,

FIG. 7 is a front elevational view thereof;

455/128, 151.1–151.4, 352–355; 463/39;

FIG. 8 is a rear elevational view thereof;

700/17, 19, 20, 65, 83; 701/2

FIG. 9 is a cross-sectional view thereof, taken along the line 9–9 of FIG. 1 and viewed in the direction of the arrows; and,

See application file for complete search history.

FIG. 10 is another cross-sectional view thereof, taken along the line 10–10 of FIG. 2 and viewed in the direction of the arrows.

(56) **References Cited**

U.S. PATENT DOCUMENTS

D351,173 S * 10/1994 Yeh D14/218

D365,104 S * 12/1995 Ko D14/218

D376,116 S * 12/1996 Dziarsk et al. D10/106

D441,524 S * 5/2001 Shimizu et al. D3/207

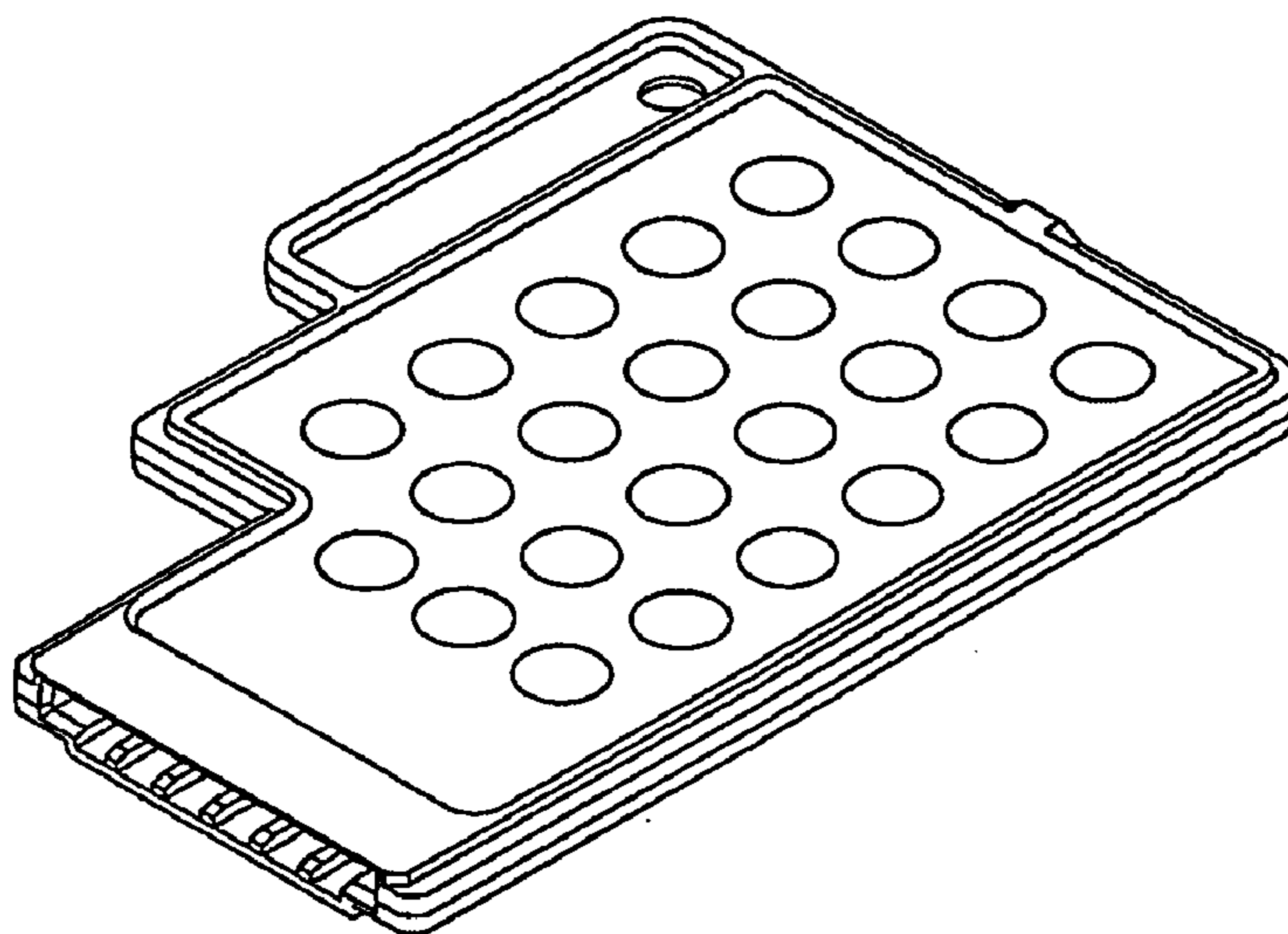
D484,467 S * 12/2003 de Leon D13/168

D510,075 S * 9/2005 Arz et al. D13/168

D557,111 S * 12/2007 Ydreemark et al. D8/347

The cross-sectional views shown in FIGS. 9 and 10 are included for the purpose of showing external surface contours which may not be clear from the remaining illustrations. Any features of internal construction shown that are not in addition externally visible and illustrated in the remaining illustrations are incidental and form no part of the claimed design.

1 Claim, 4 Drawing Sheets



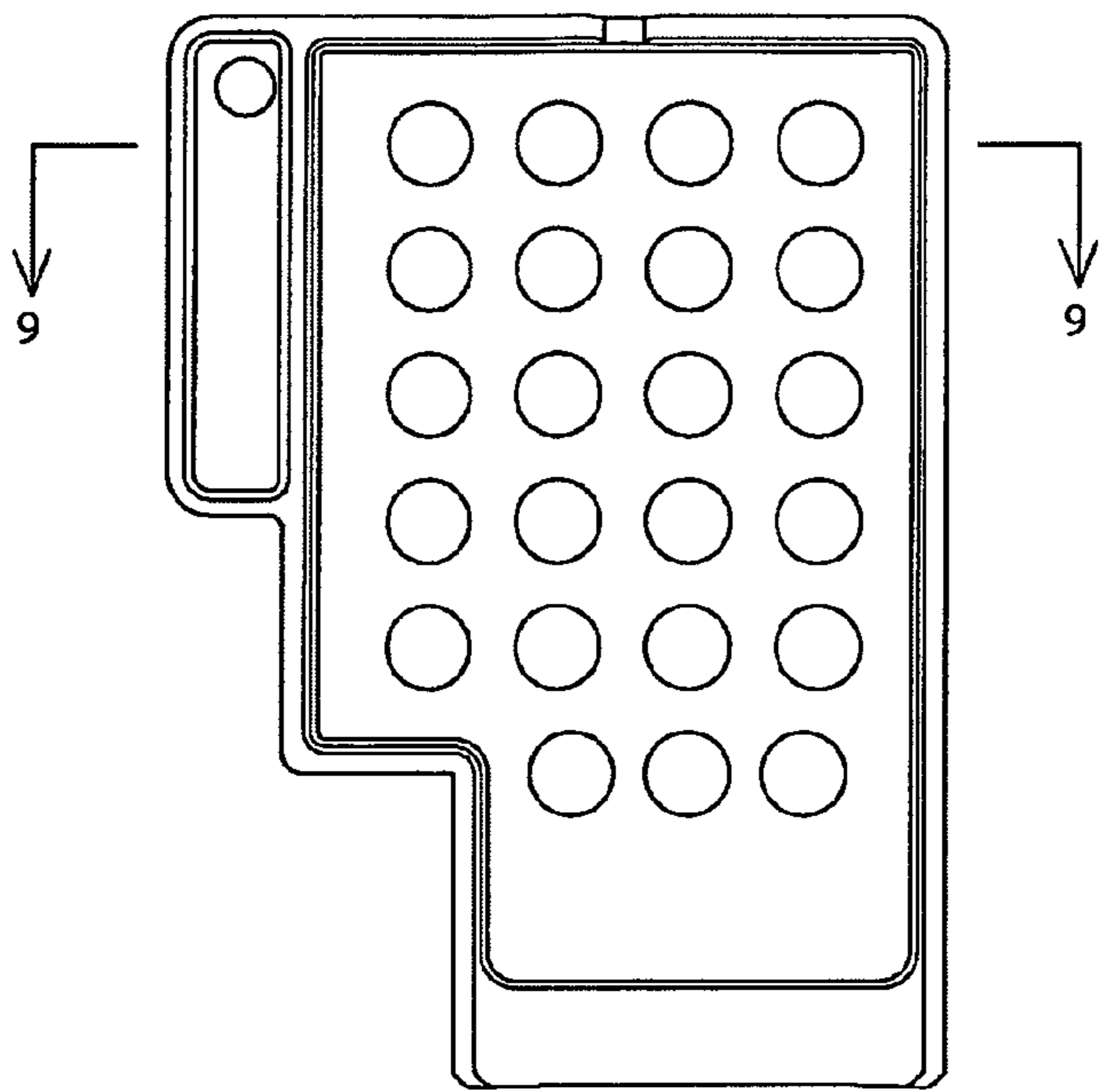


Figure 1

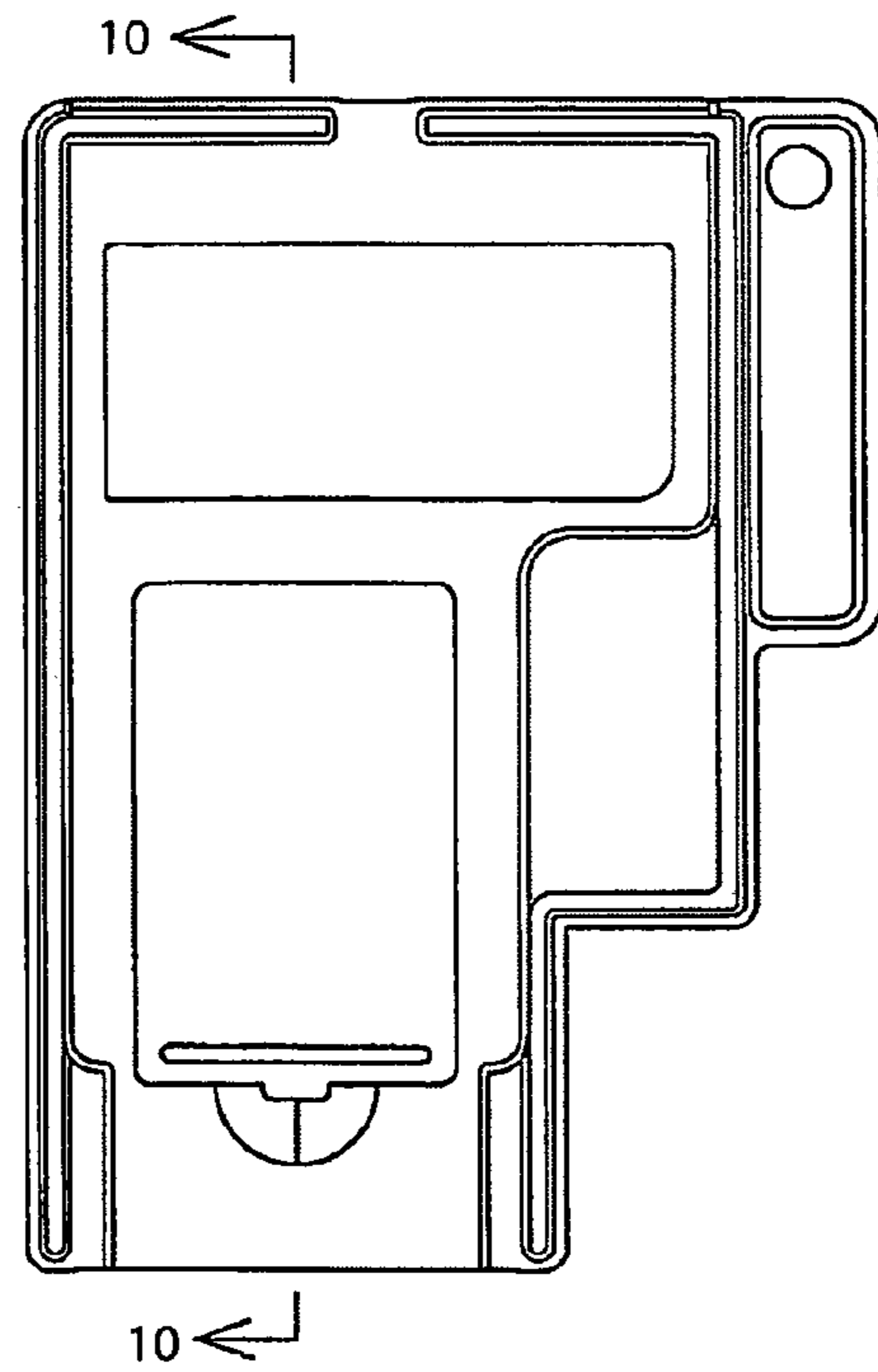


Figure 2

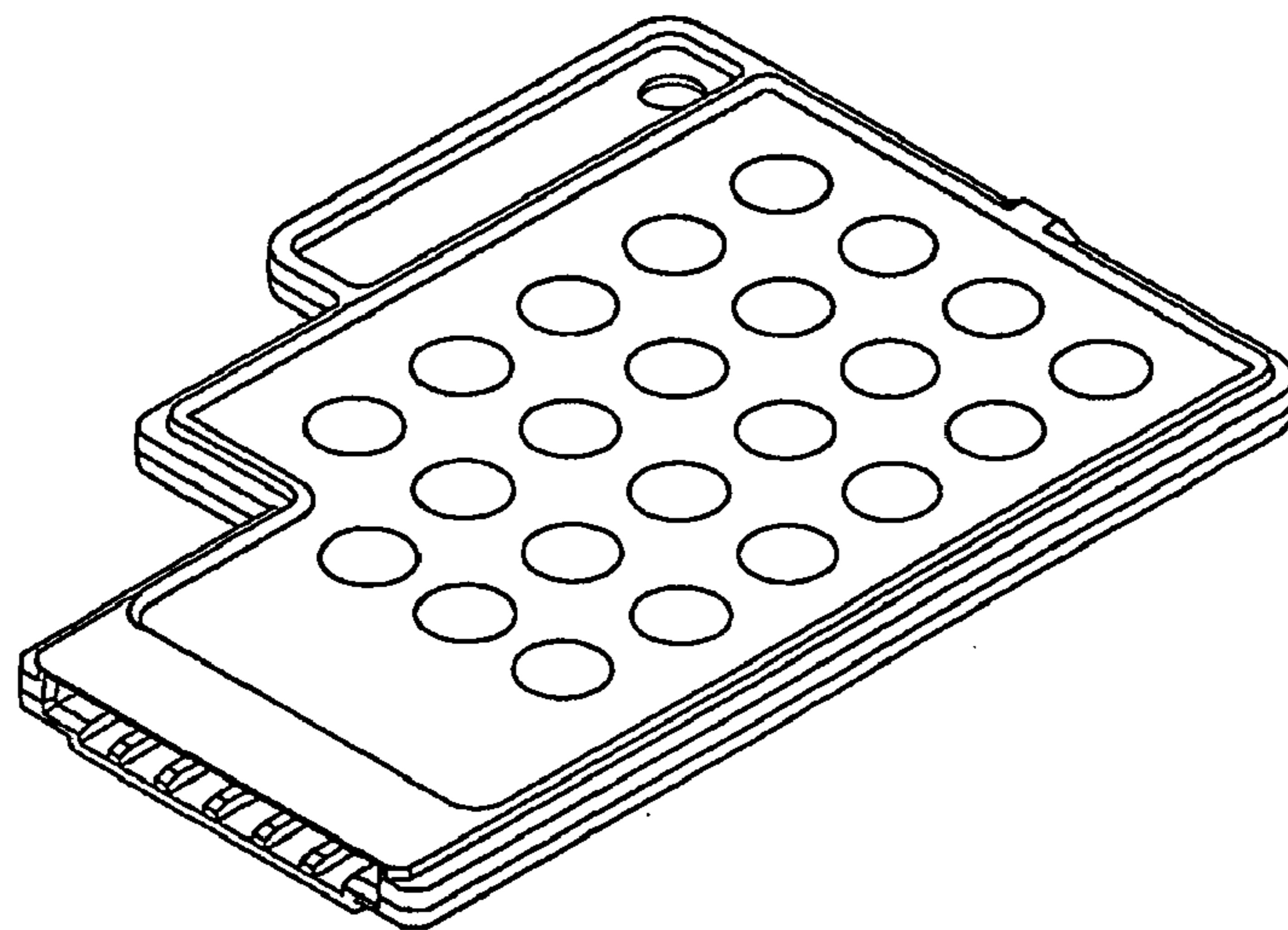


Figure 3



Figure 4

Figure 5



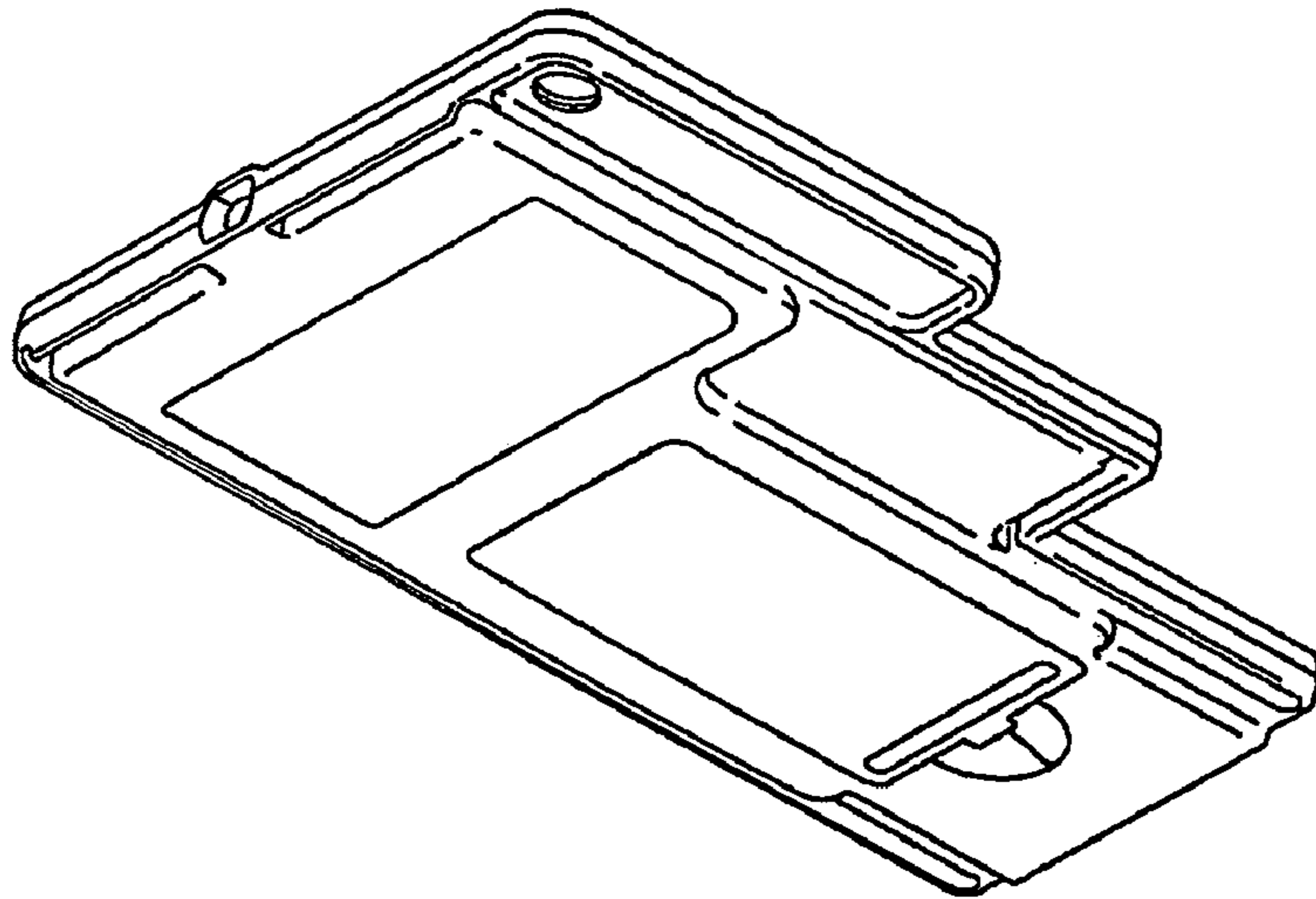


Figure 6

Figure 7



Figure 8



Figure 9

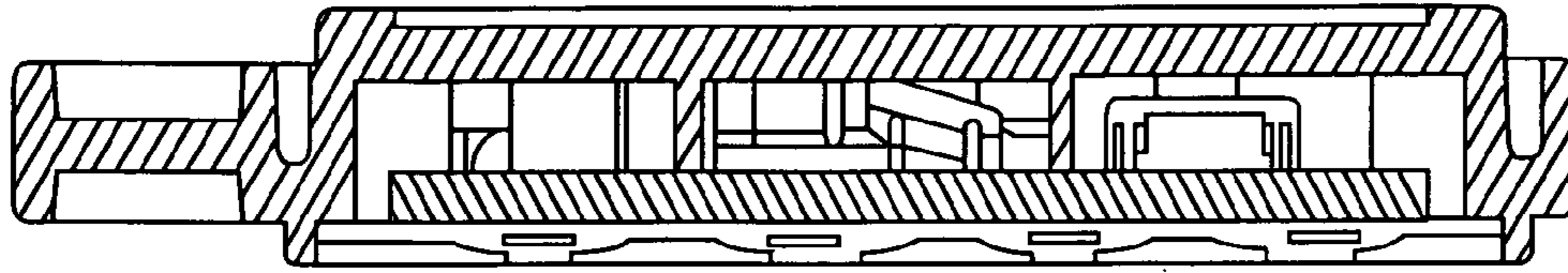


Figure 10

